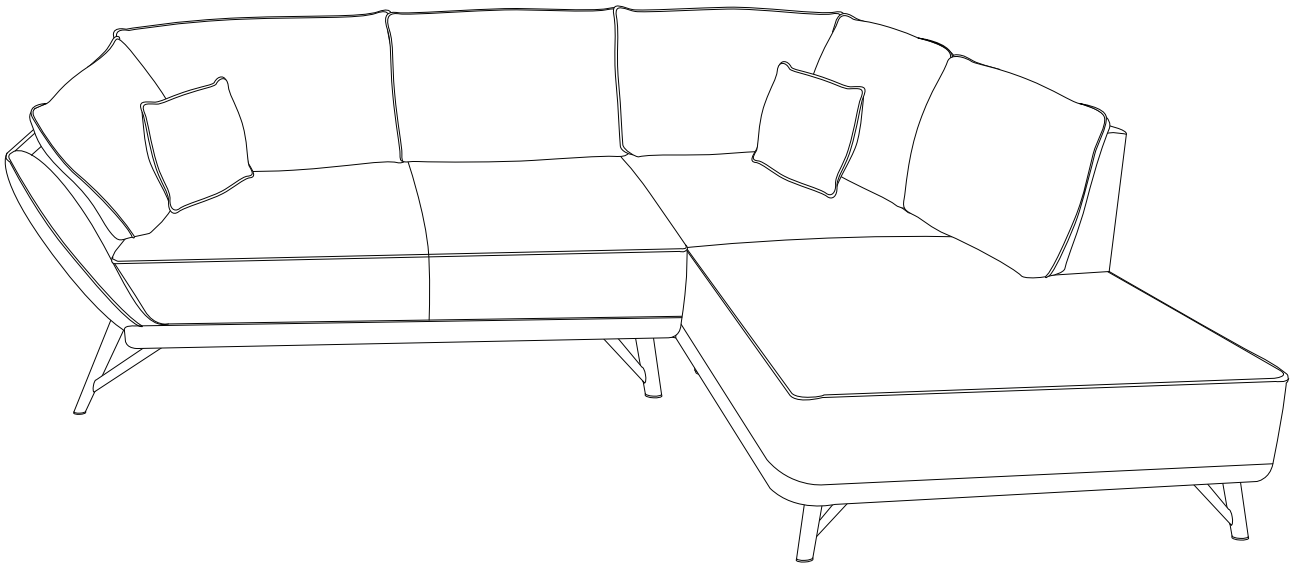
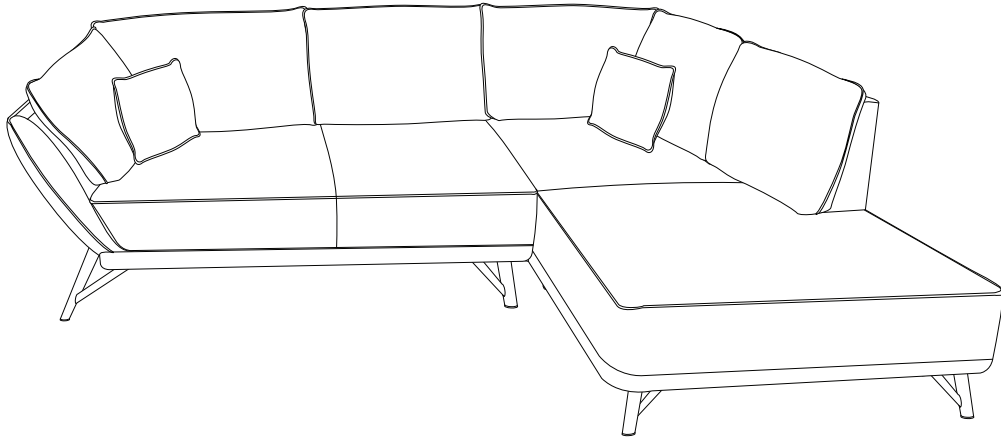
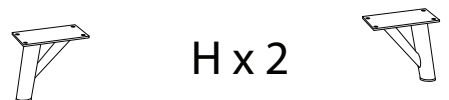
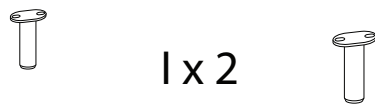
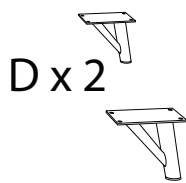
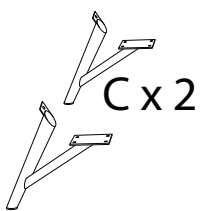
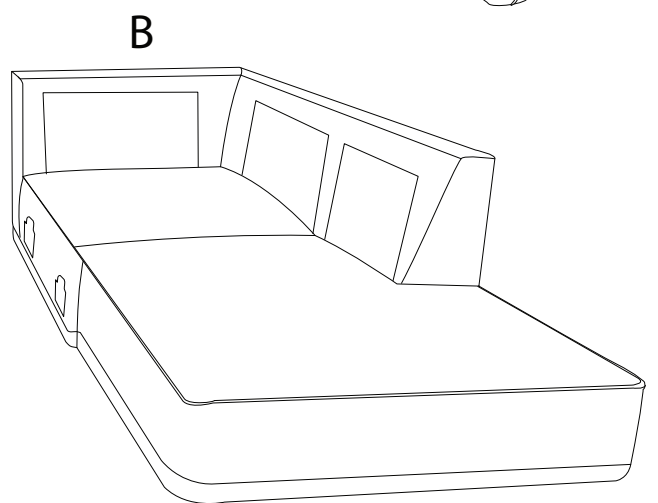
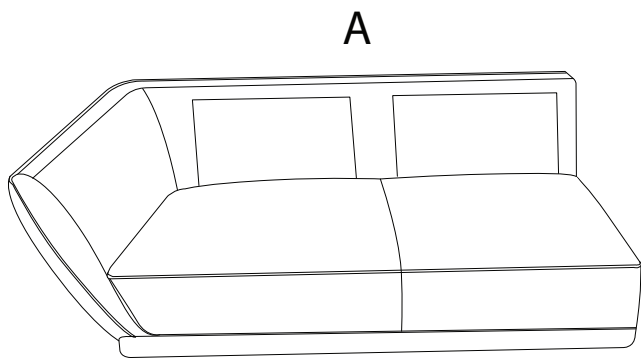
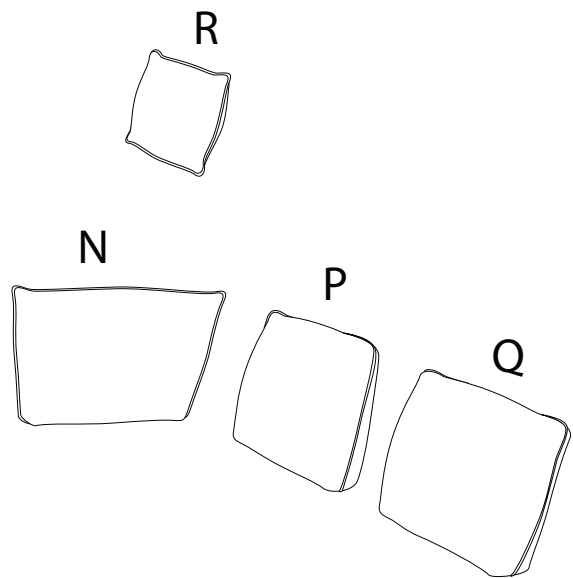
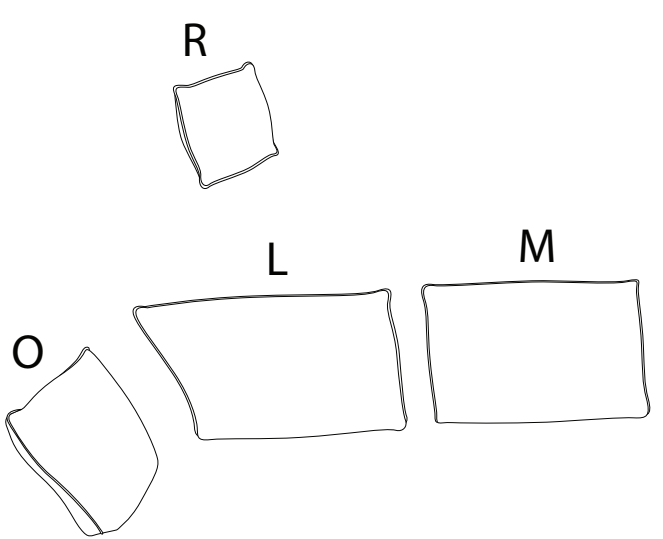


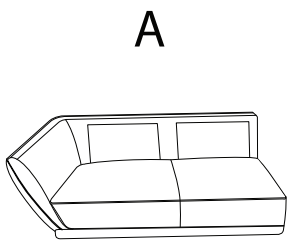
# ELGA



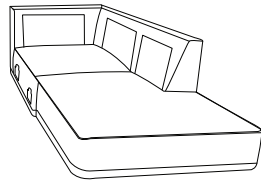


		<p>20'</p>
		<p>2</p>

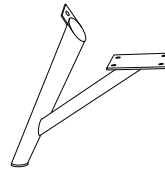




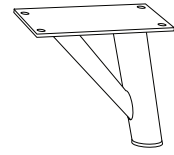
x 1



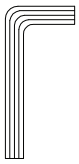
x 1



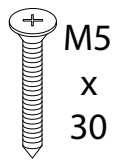
x 2



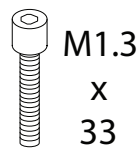
x 2



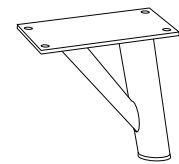
x 1



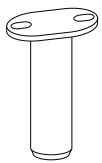
x 16



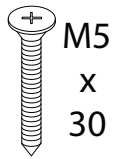
x 2



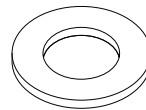
x 4



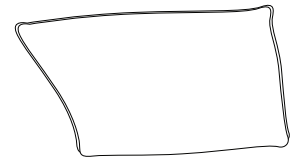
x 2



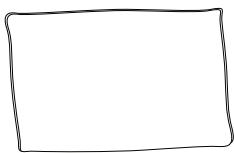
x 20



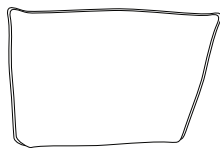
x 4



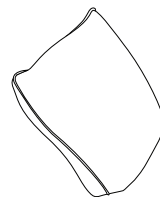
x 1



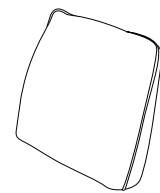
x 1



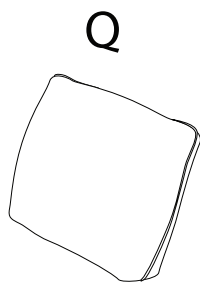
x 1



x 1



x 1



x 1

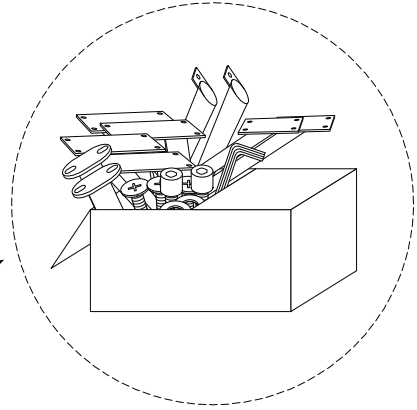
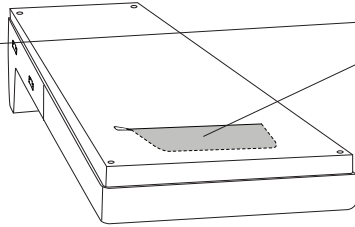
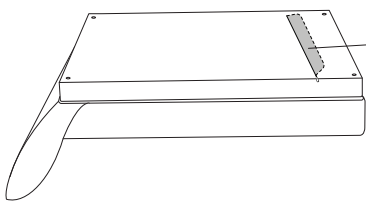
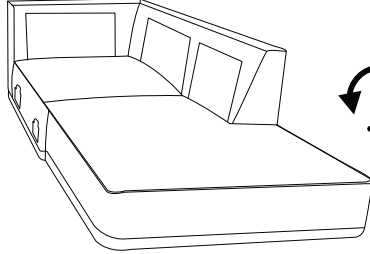
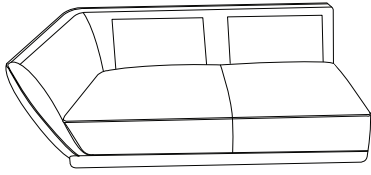


x 2

!

A

B



1

A



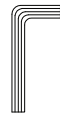
x 1

C



x 2

E



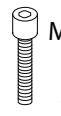
x 1

F

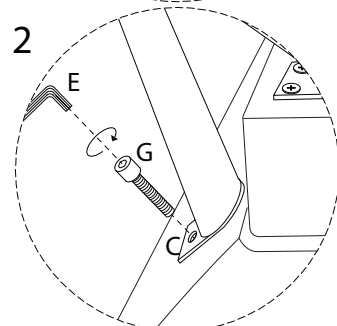
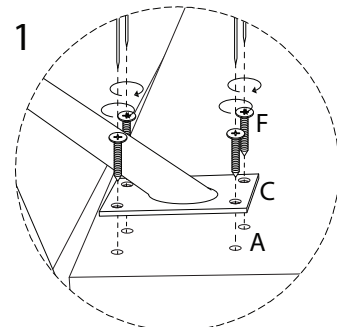
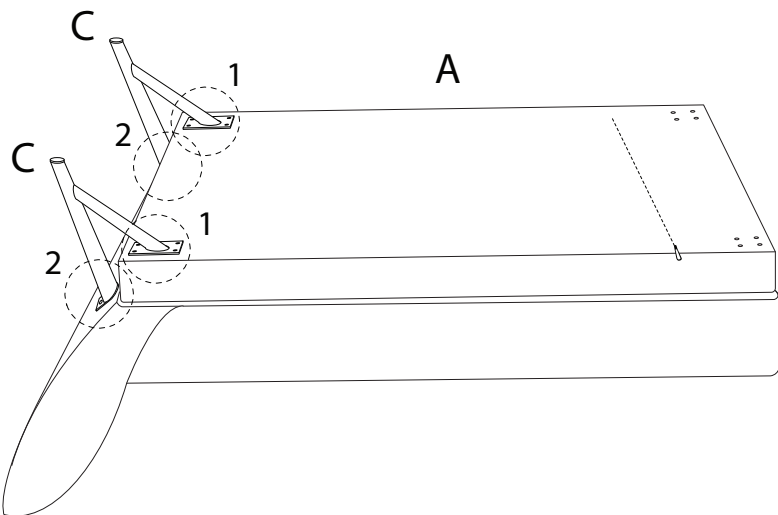


x 8

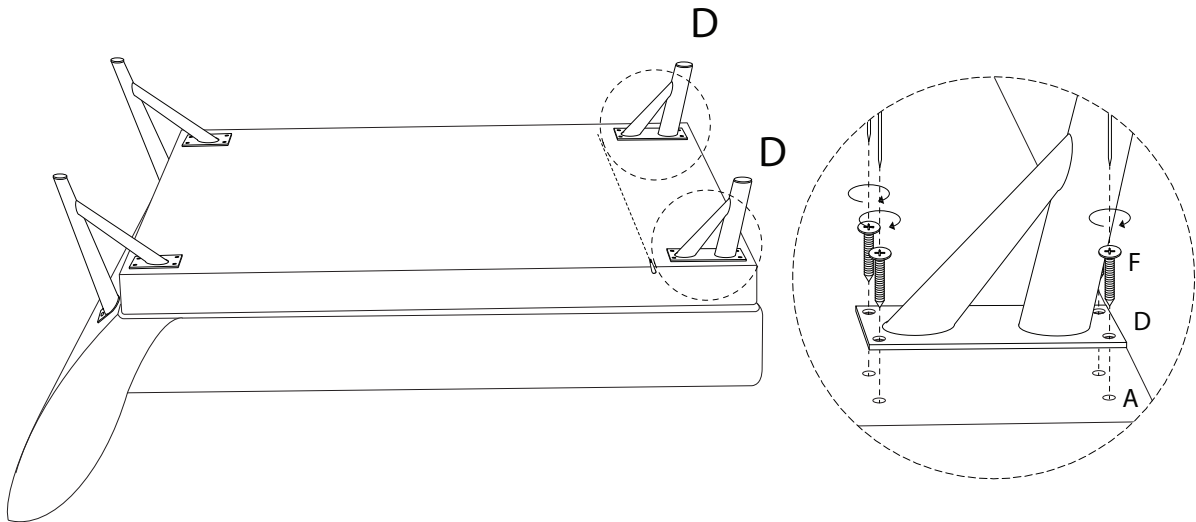
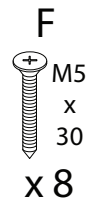
G



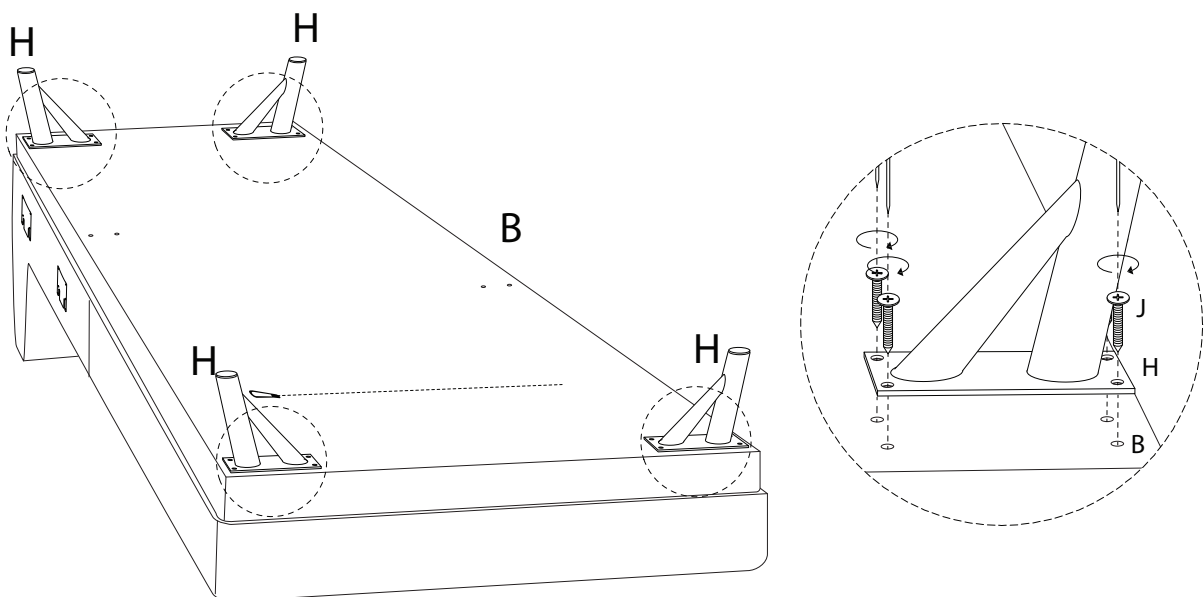
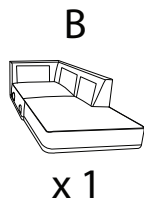
x 2



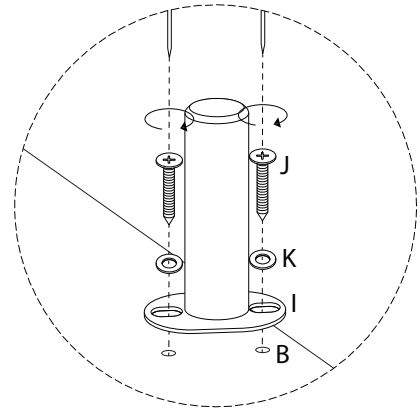
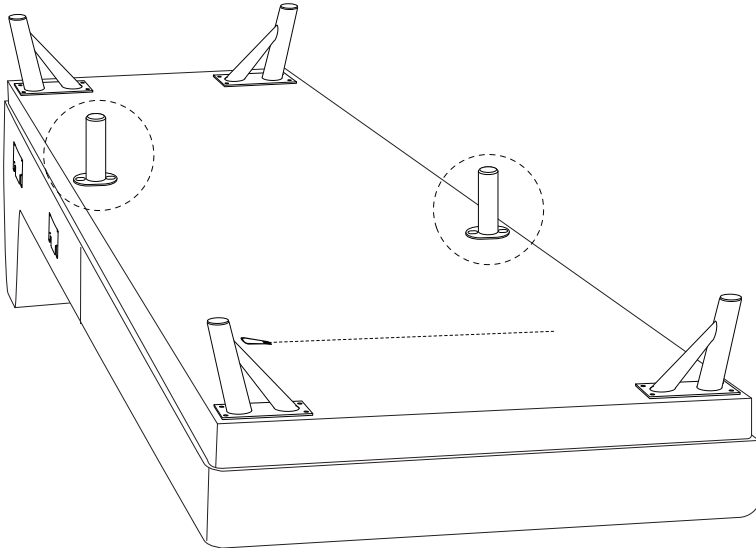
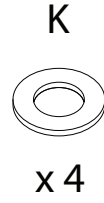
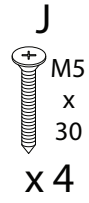
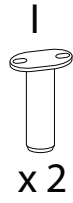
2



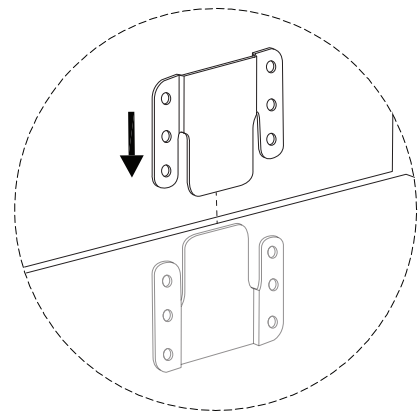
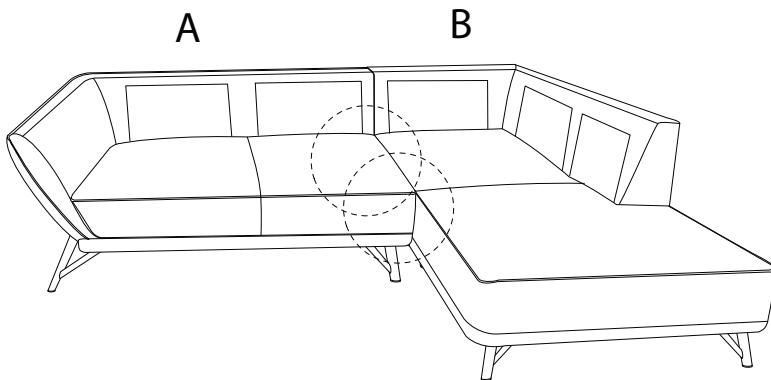
3









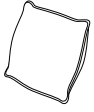
4



5



6

L	M	N	O	P	Q	R
						
x1	x1	x1	x1	x1	x1	x2

