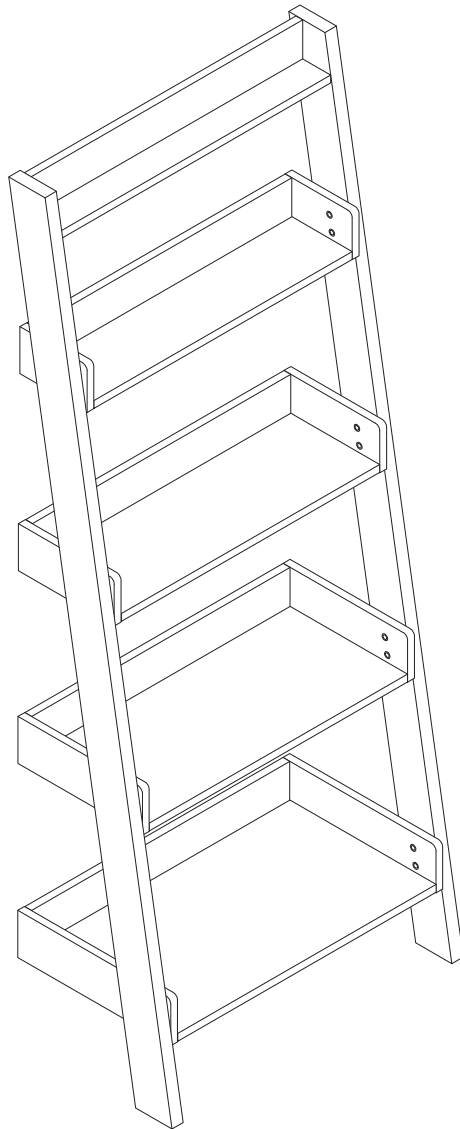
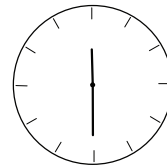
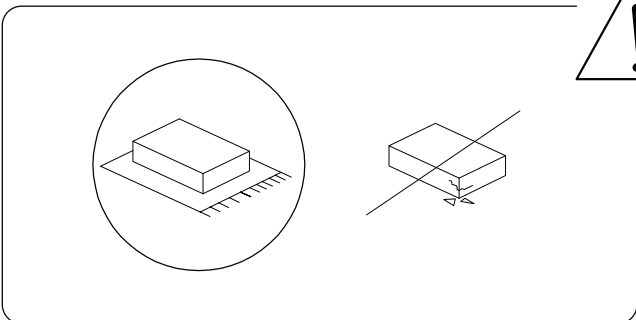
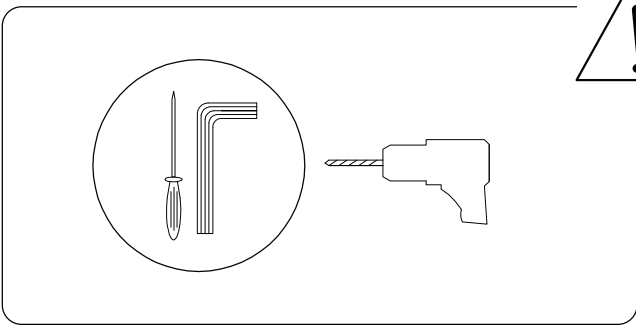
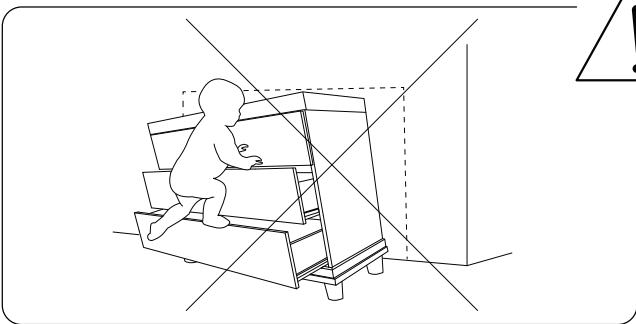
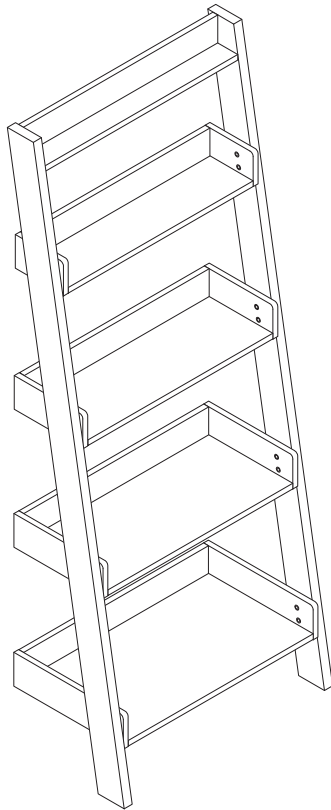
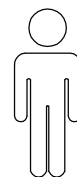


MOBILE DUO

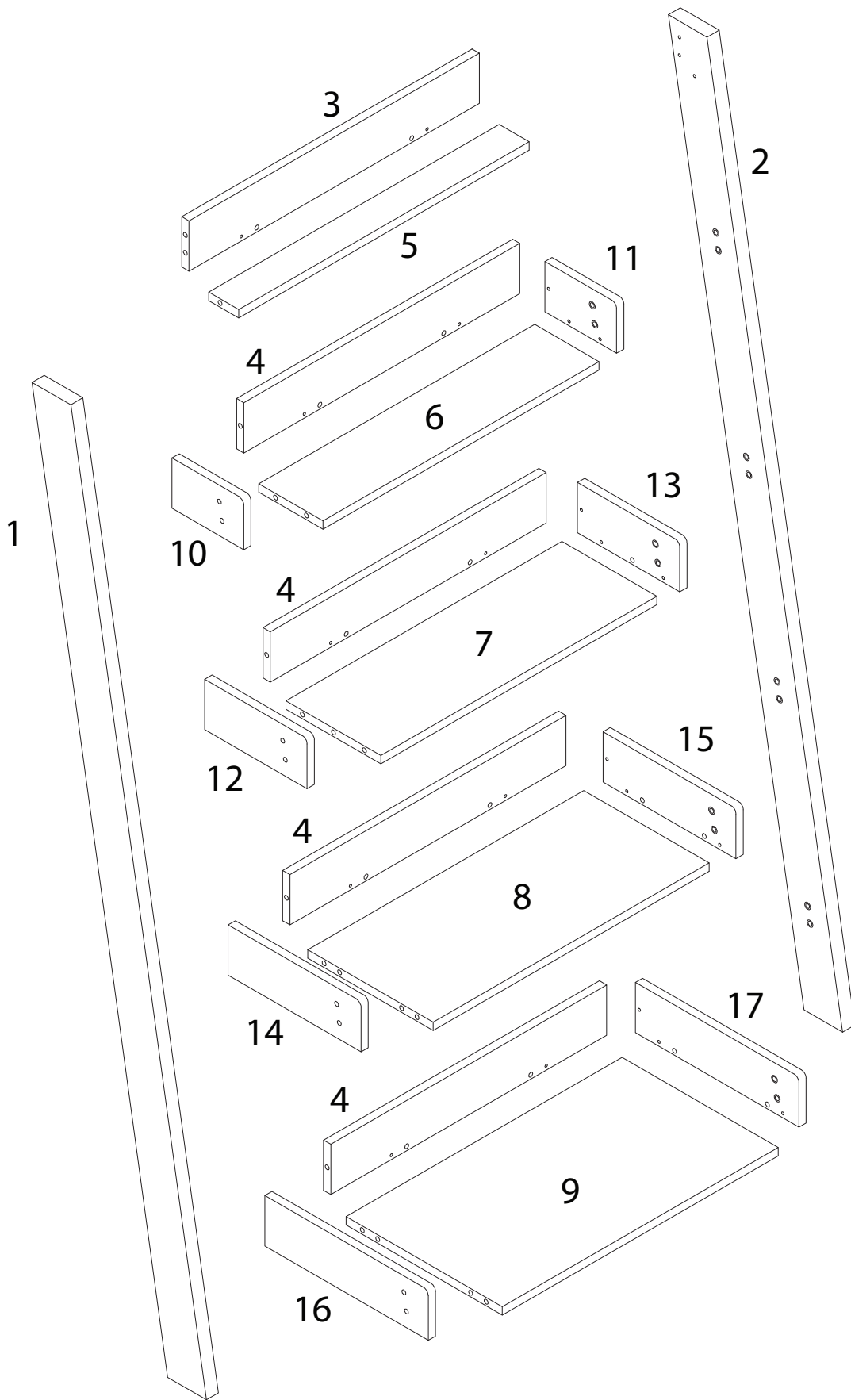




30'

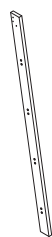


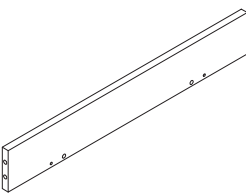
2

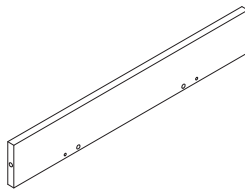


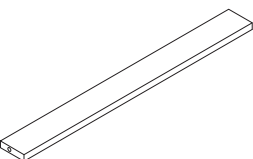
1

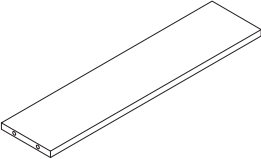
x 1

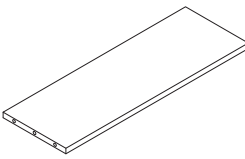
2

x 1

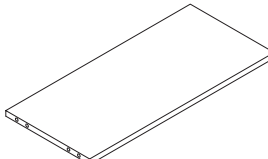
3

x 1

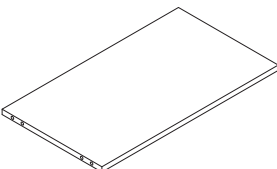
4

x 4

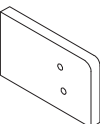
5

x 4

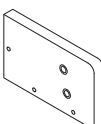
6

x 1

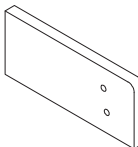
7

x 1

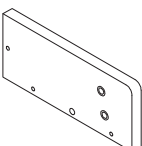
8

x 1

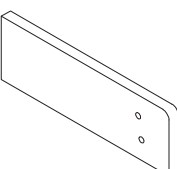
9

x 1

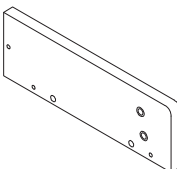
10

x 1

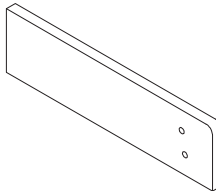
11

x 1

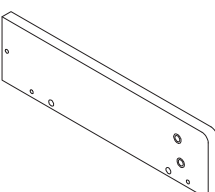
12

x 1

13

x 1

14

x 1

15

x 1

16

x 1

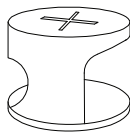
17

x 1

A



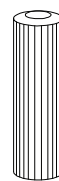
x 40

B



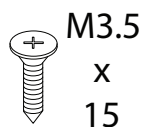
x 40

C



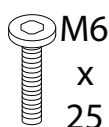
x 20

D



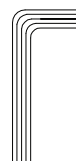
x 2

E



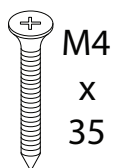
x 16

F



x 1

G



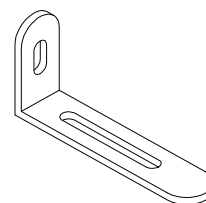
x 2

H



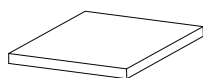
x 2

I



x 2

J



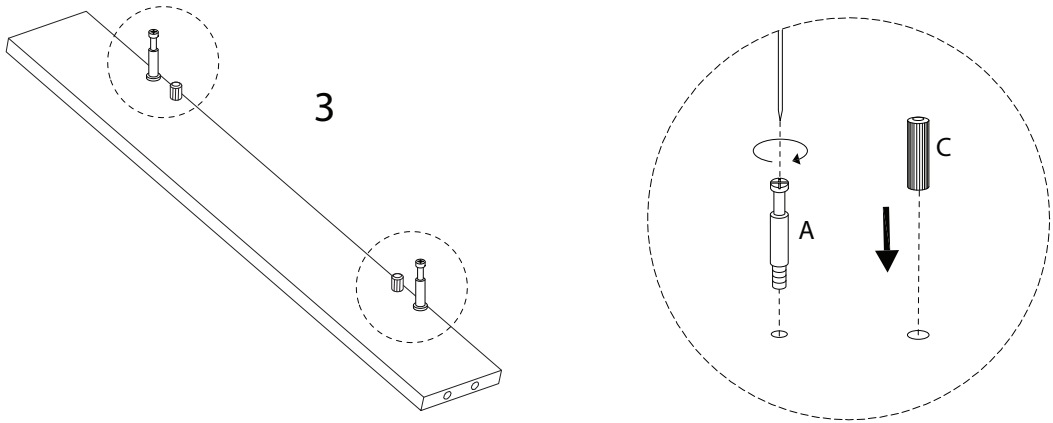
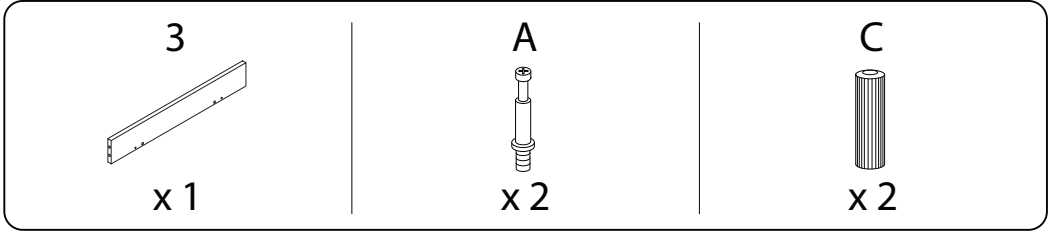
x 2

K

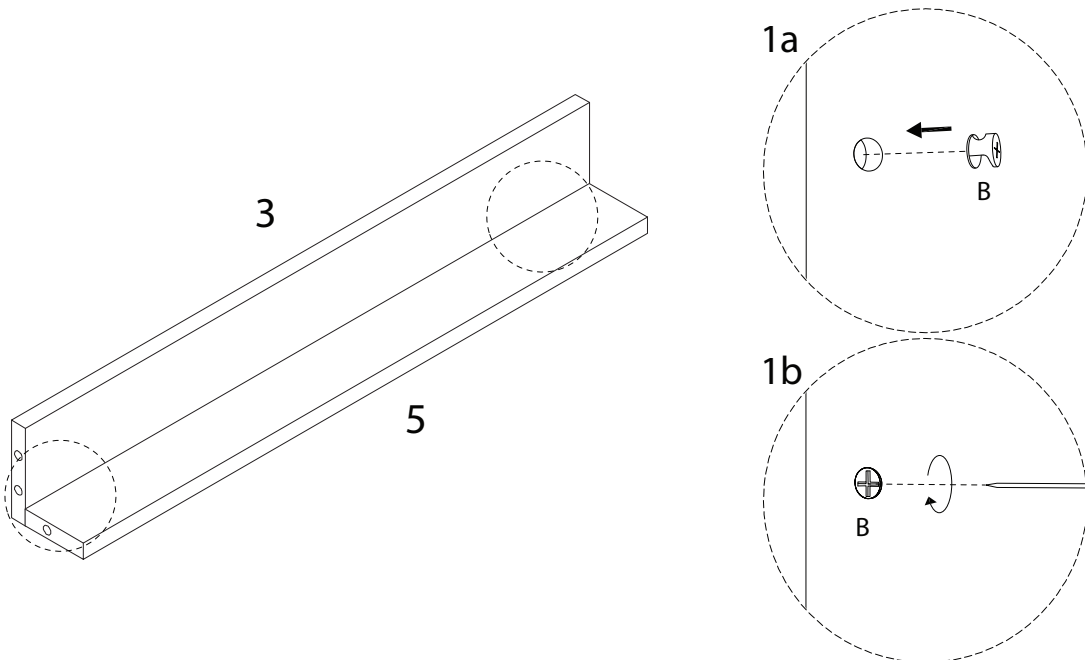
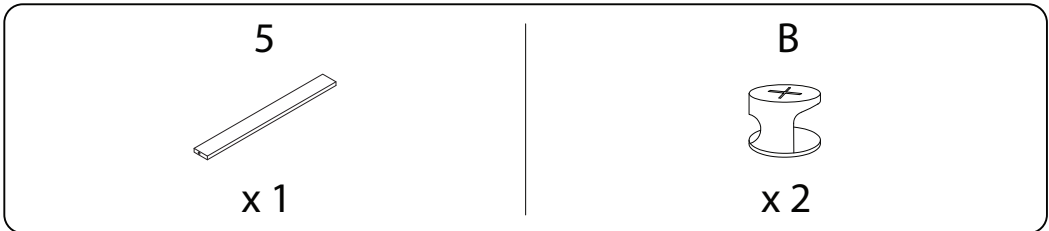


x 16

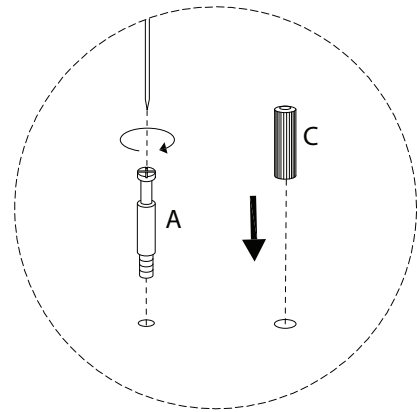
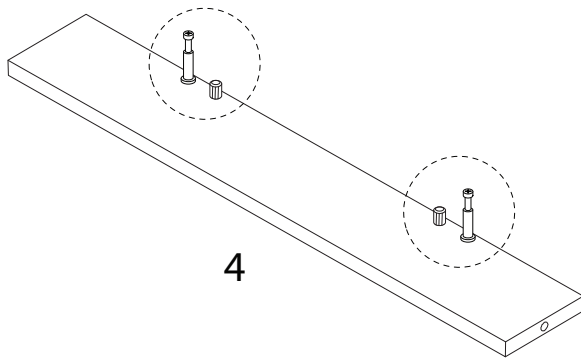
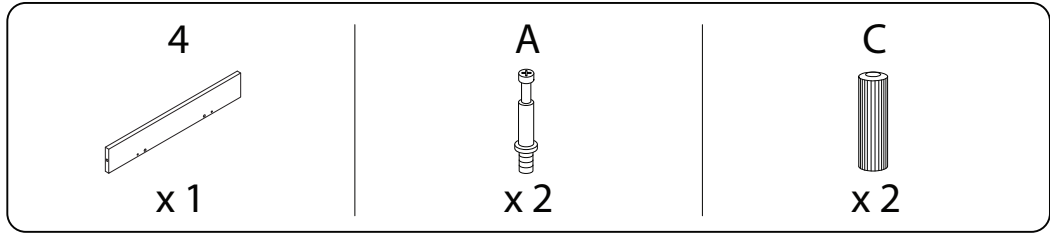
1



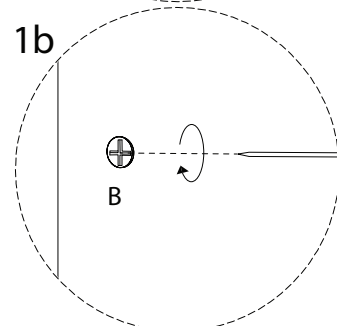
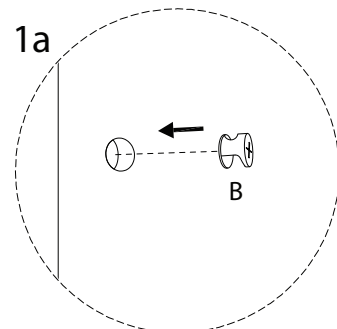
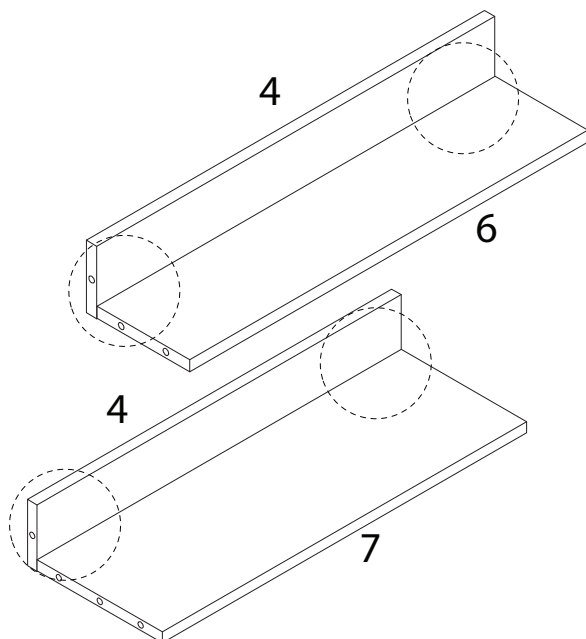
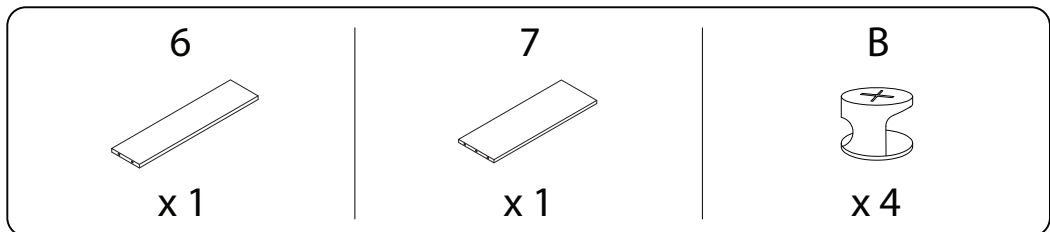
2



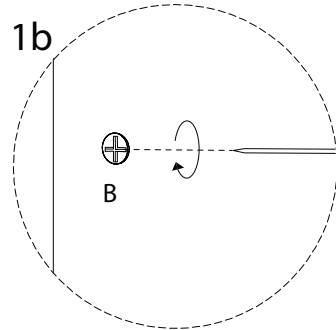
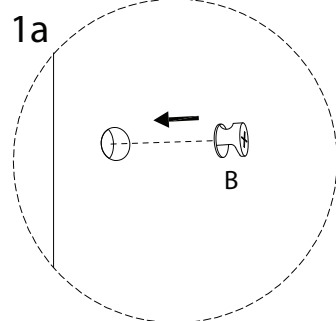
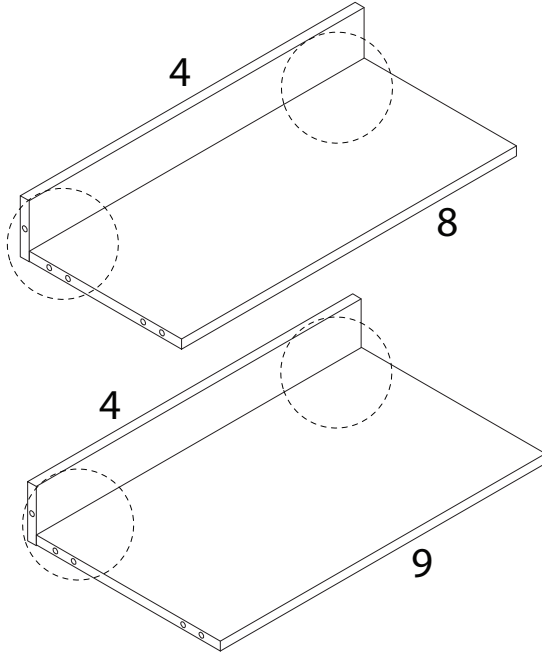
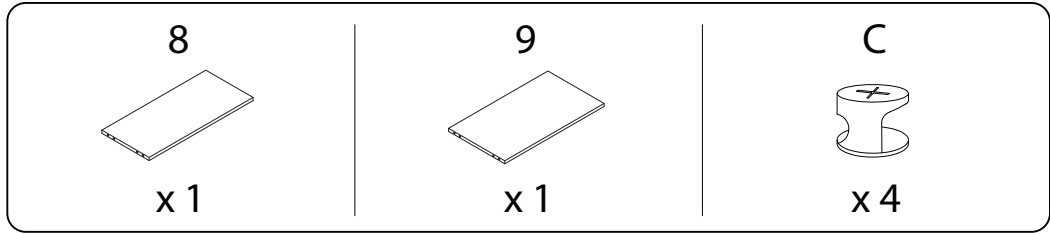
3 x 4



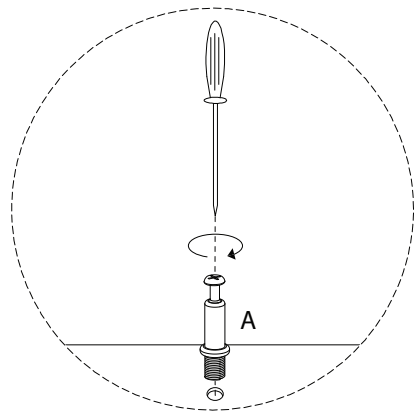
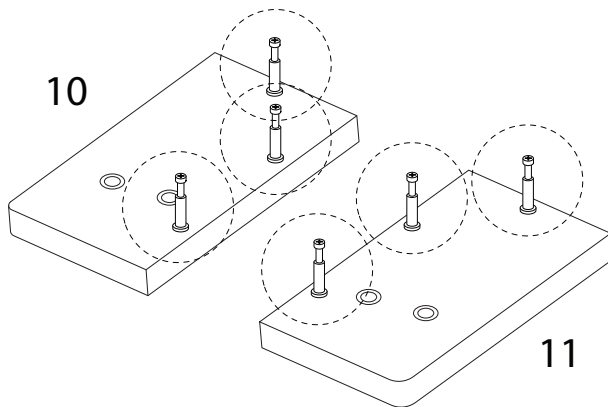
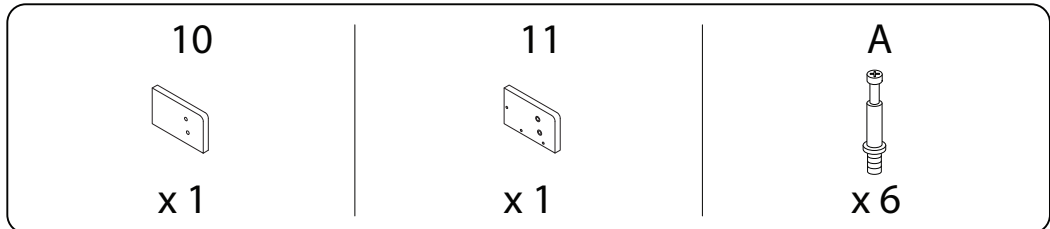
4



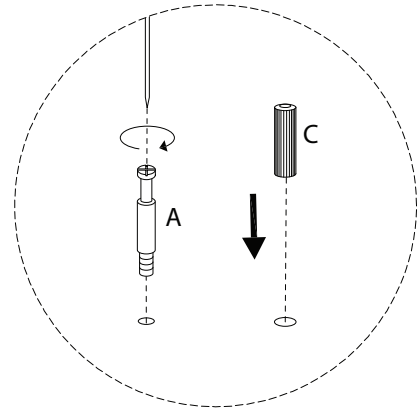
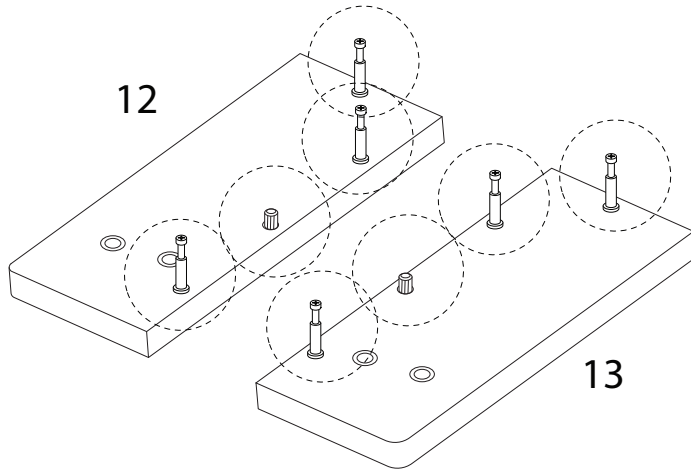
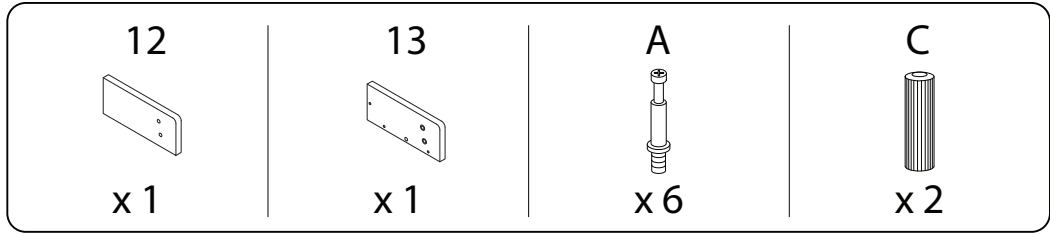
5



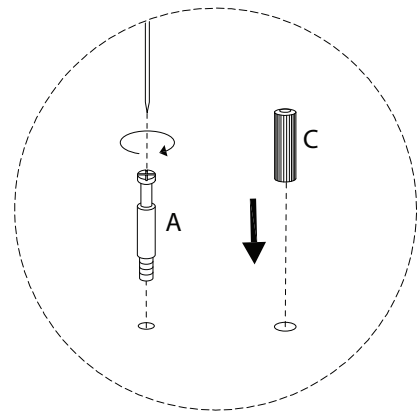
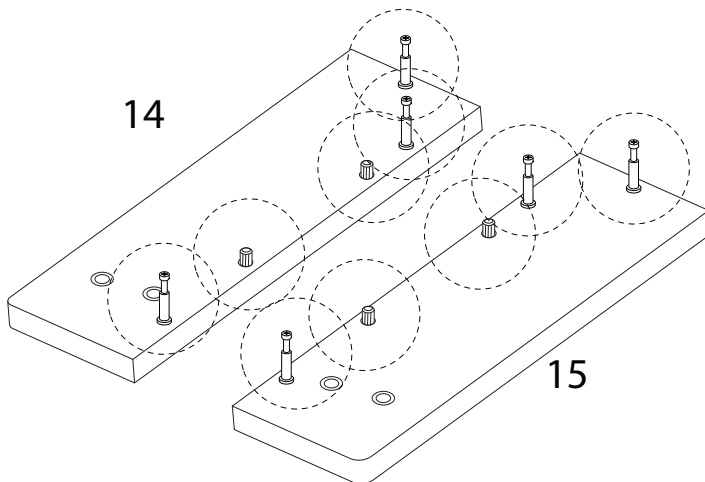
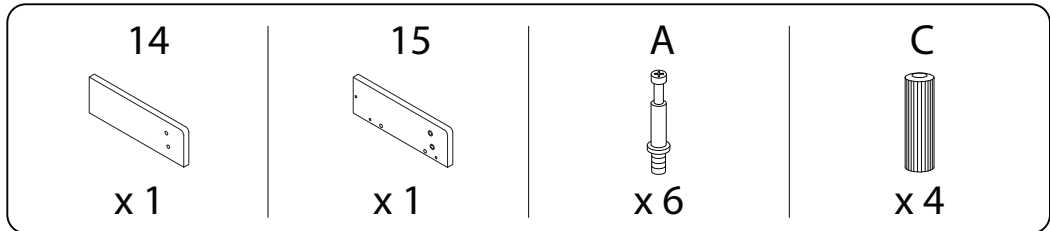
6



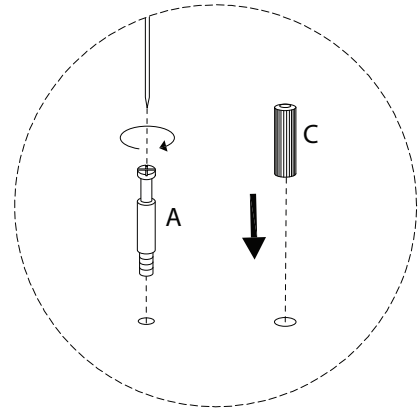
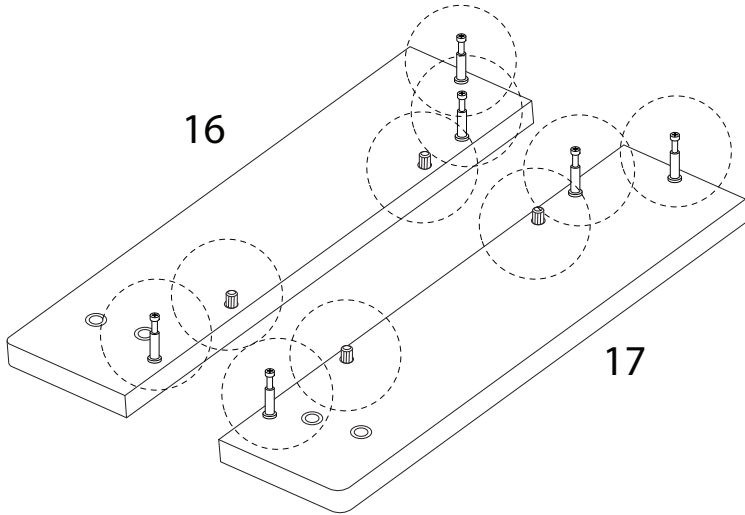
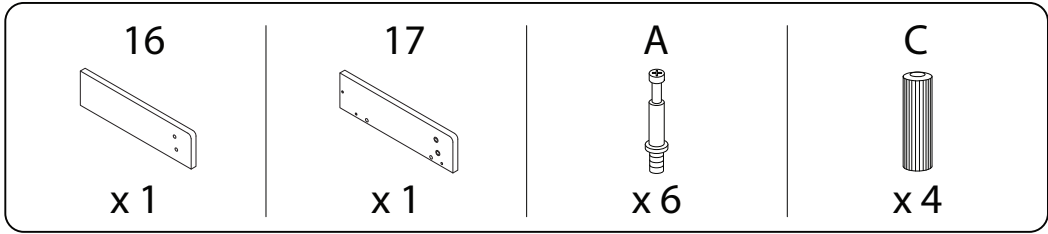
7



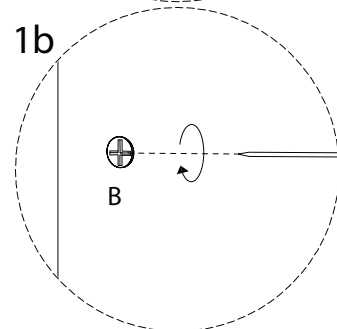
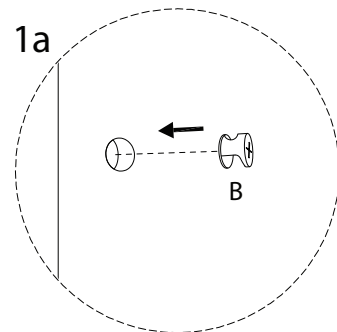
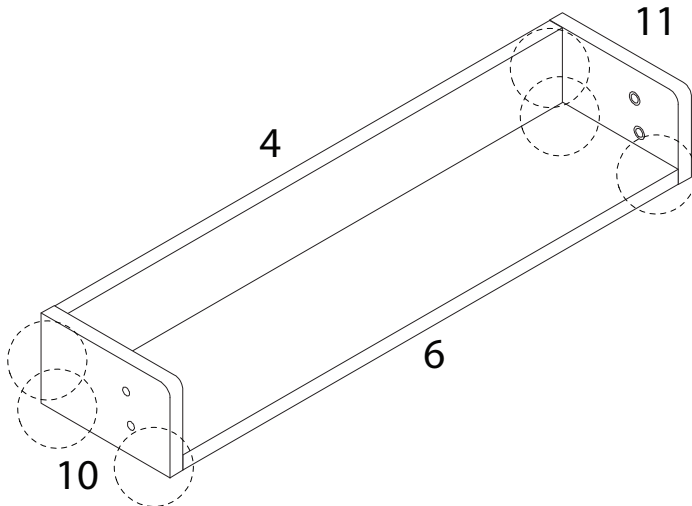
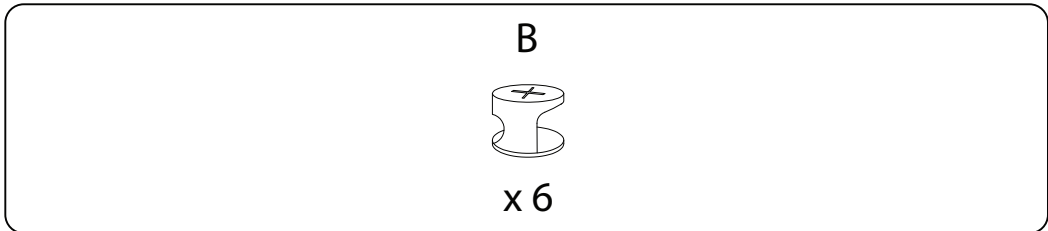
8



9



10

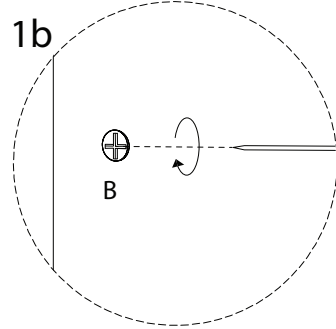
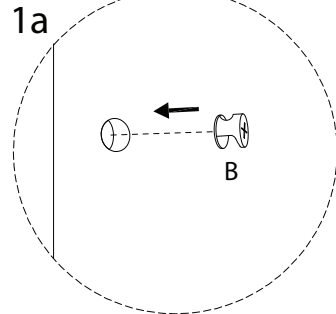
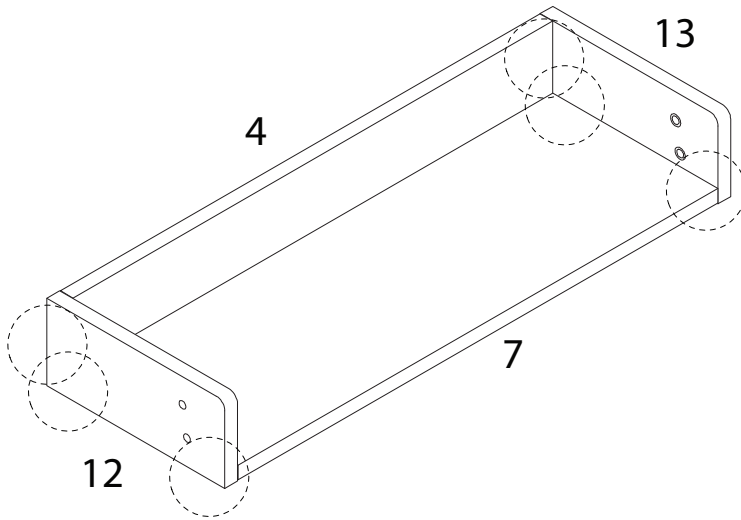


11

B



x 6

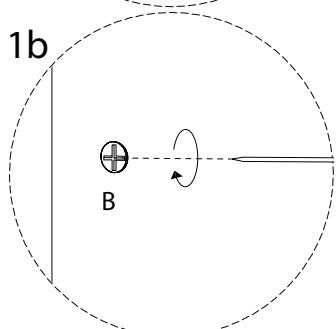
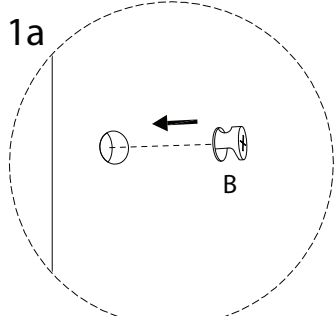
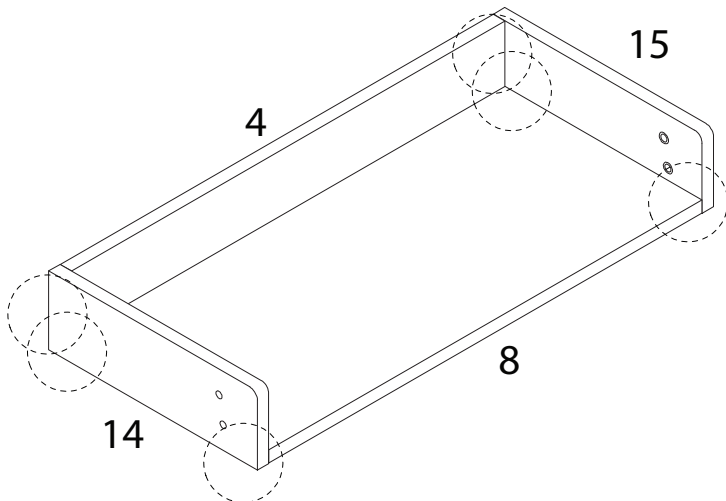


12

B



x 6

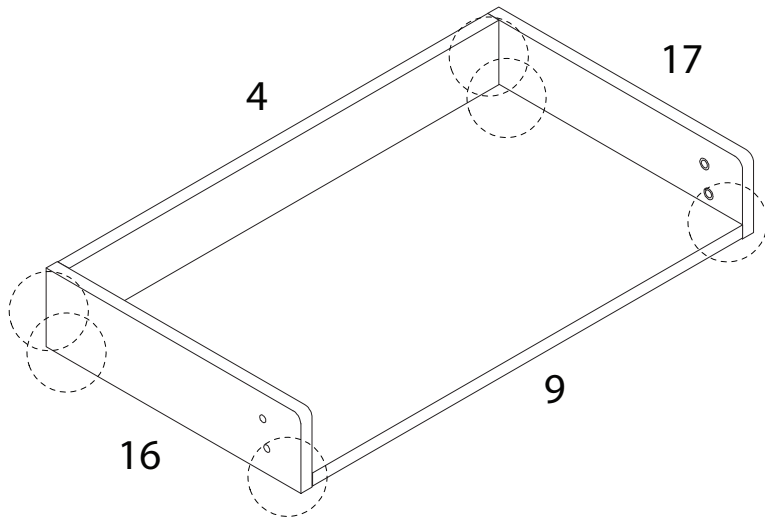


13

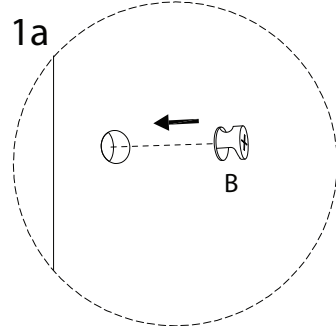
B



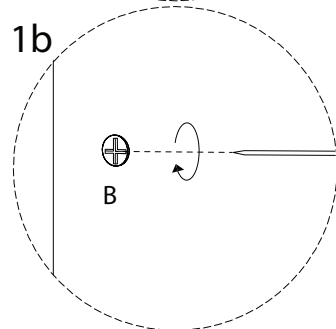
x 6



1a



1b



14

1

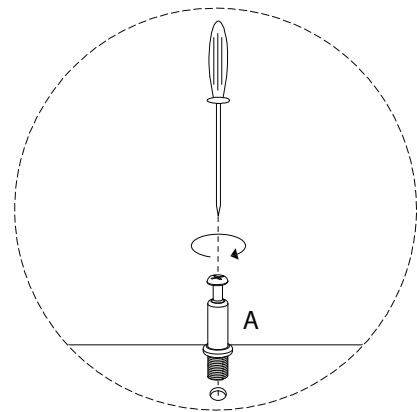
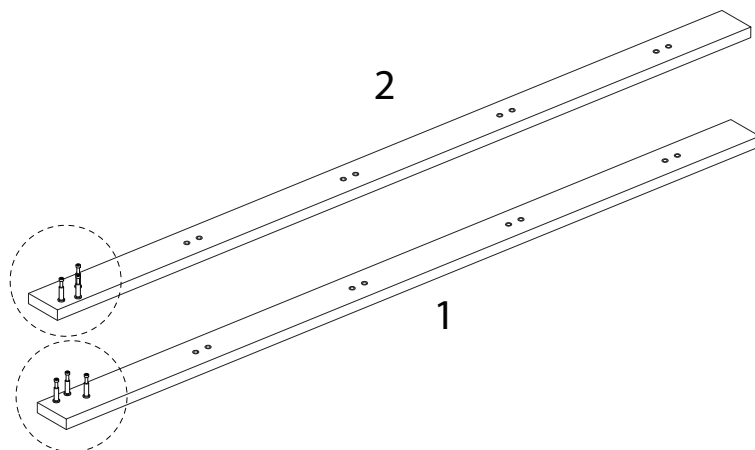
x 1

2

x 1

A

x 6

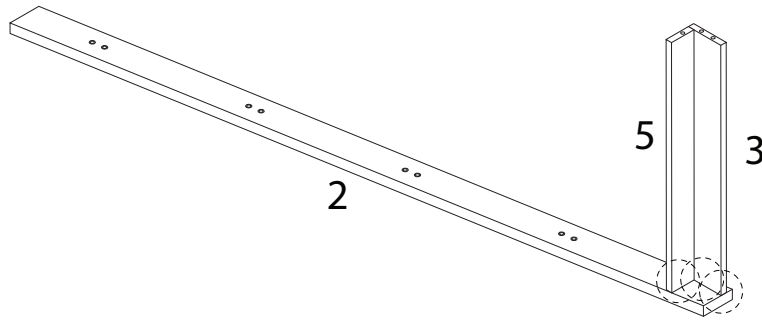


15

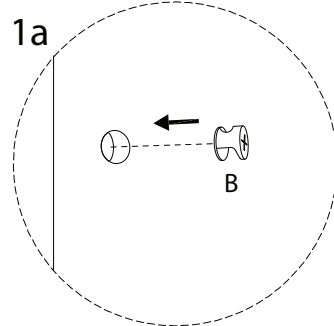
B



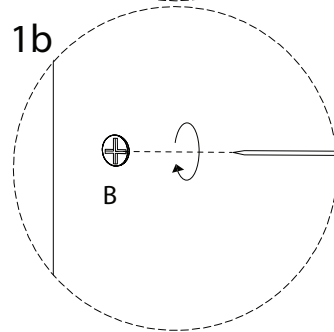
x 3



1a



1b



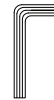
16

E

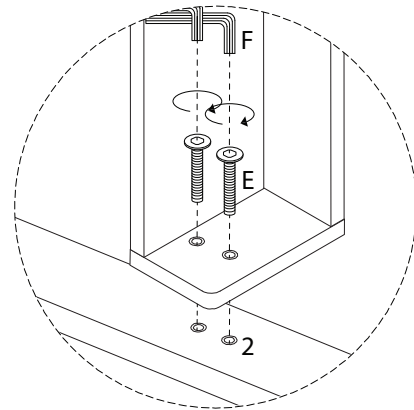
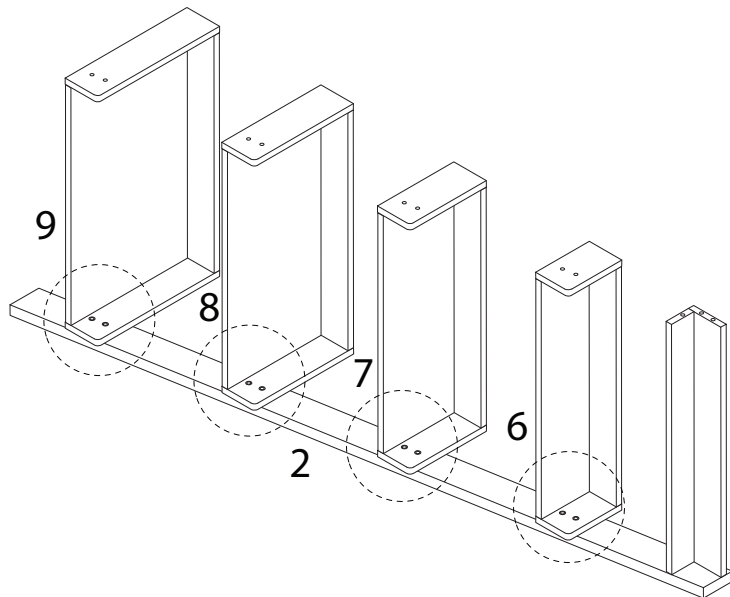


x 8

F



x 1

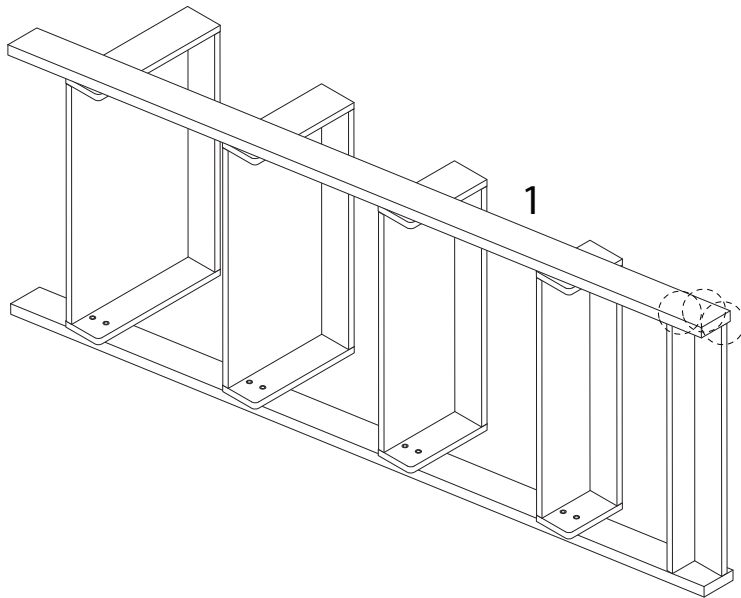


17

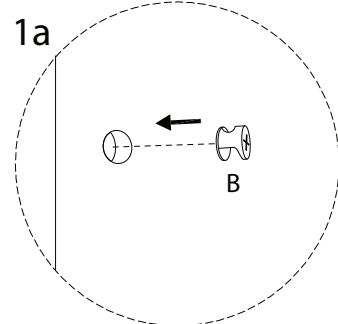
B



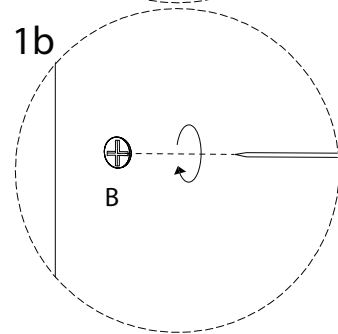
x 3



1a



1b



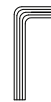
18

E

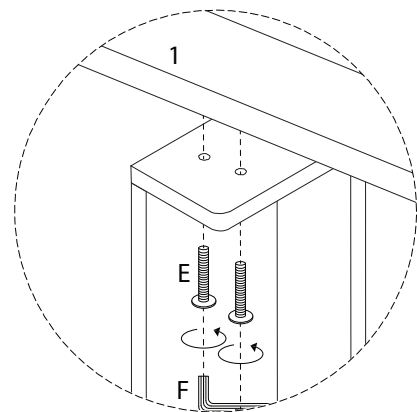
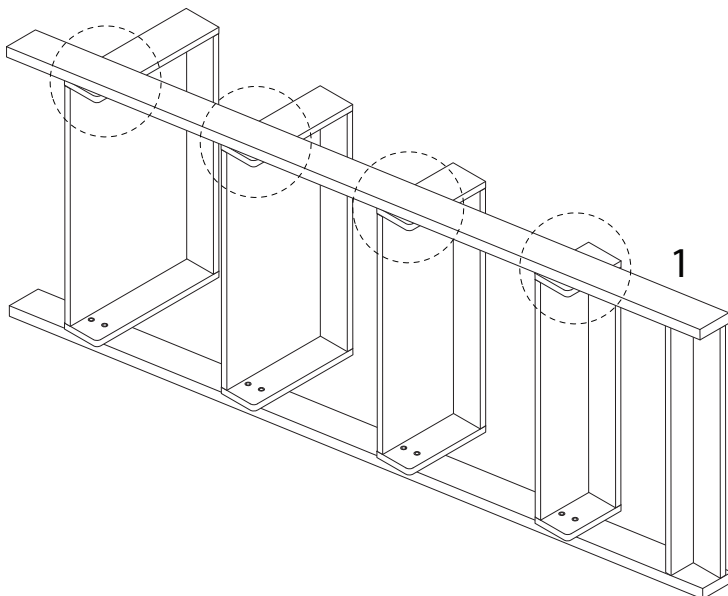


x 8

F



x 1

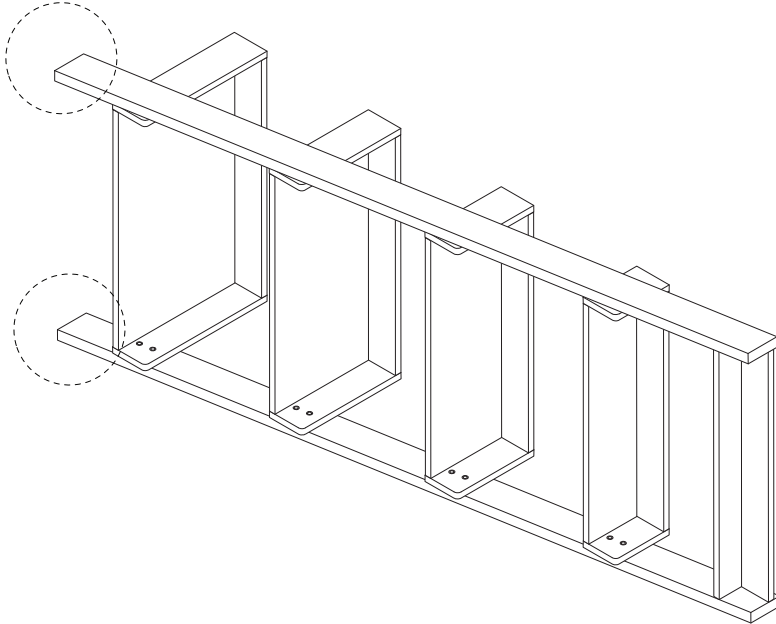


19

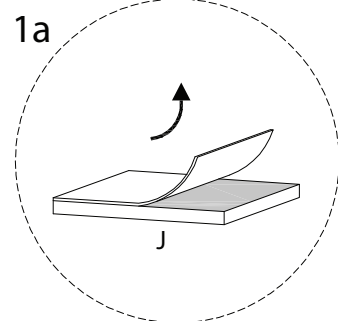
J



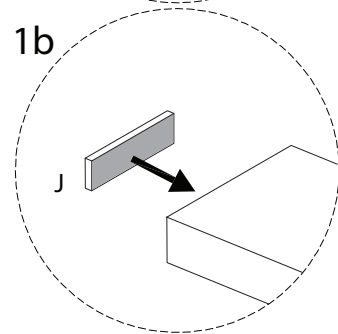
x 2



1a



1b

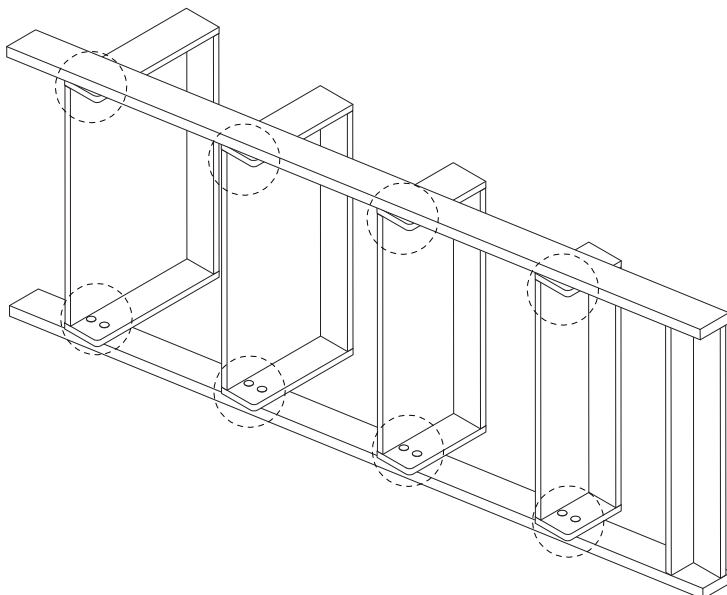


20

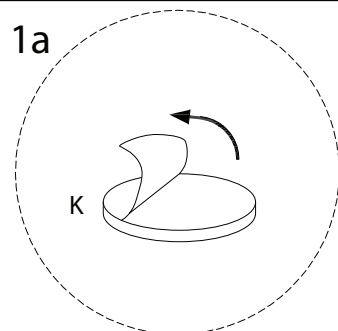
K



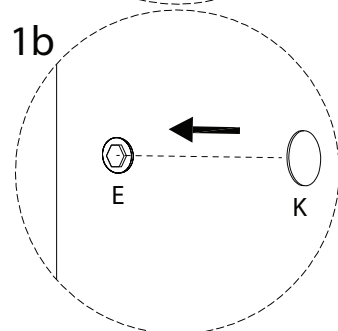
x 16



1a

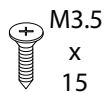


1b



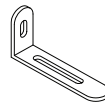
21

D

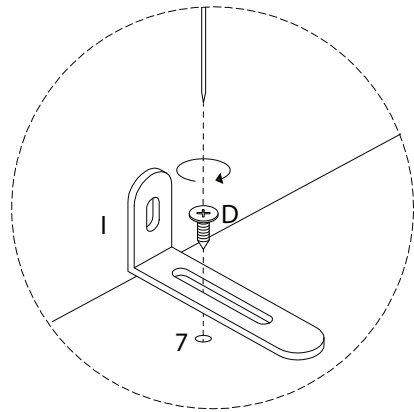
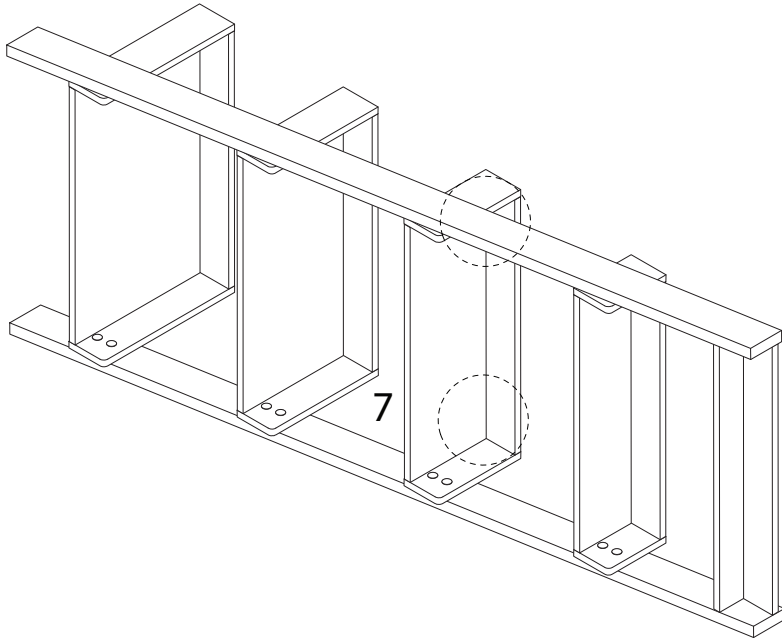


x 2

I



x 2



22

