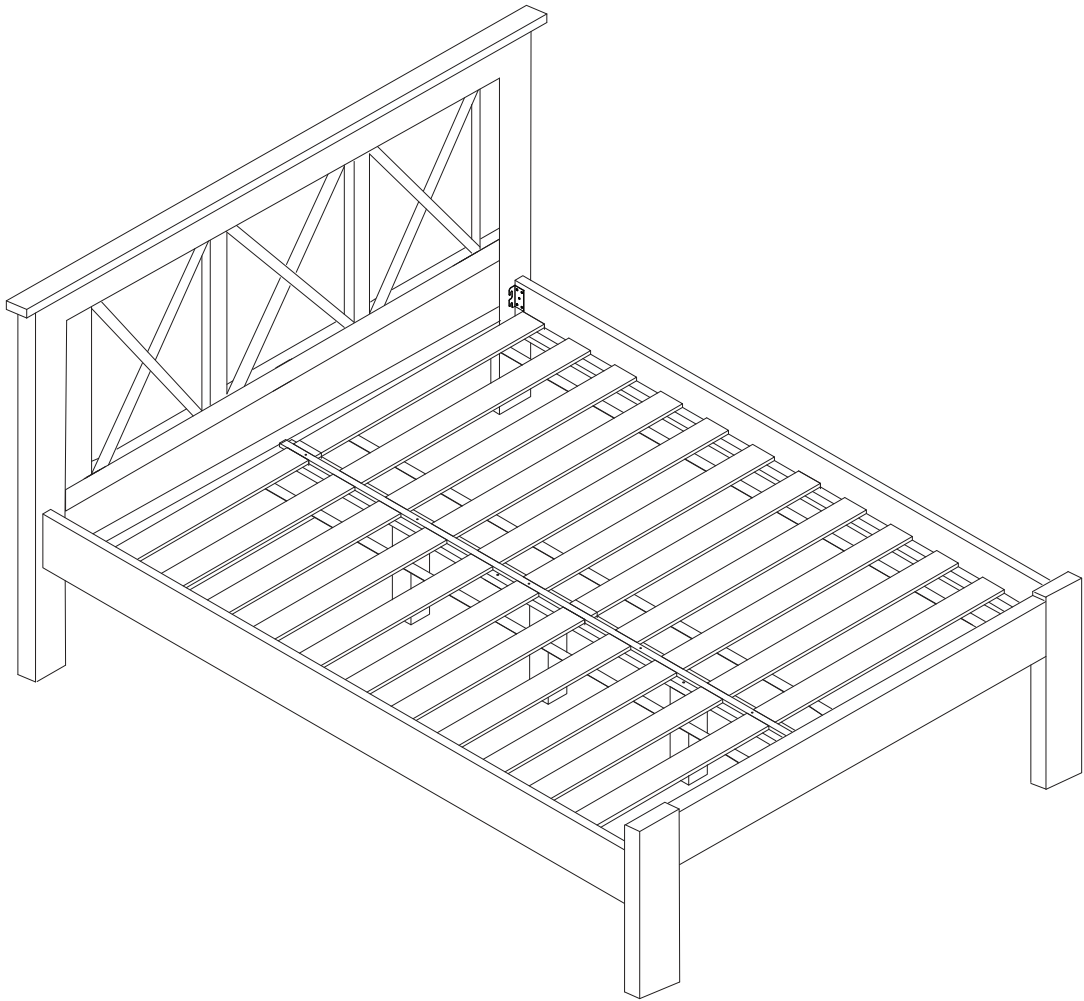
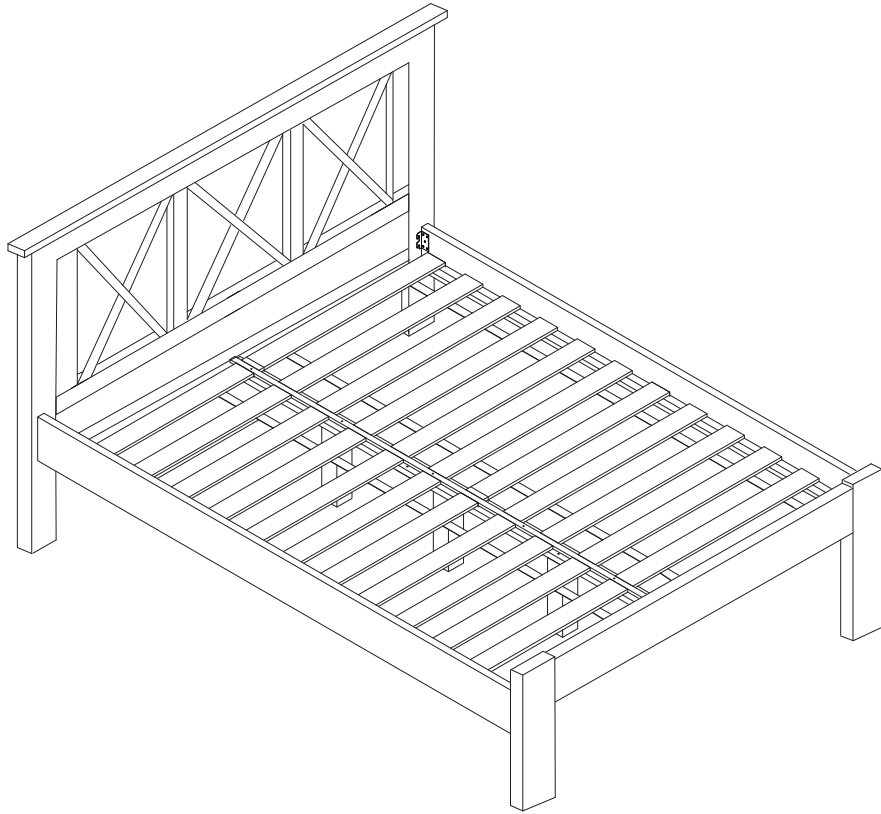


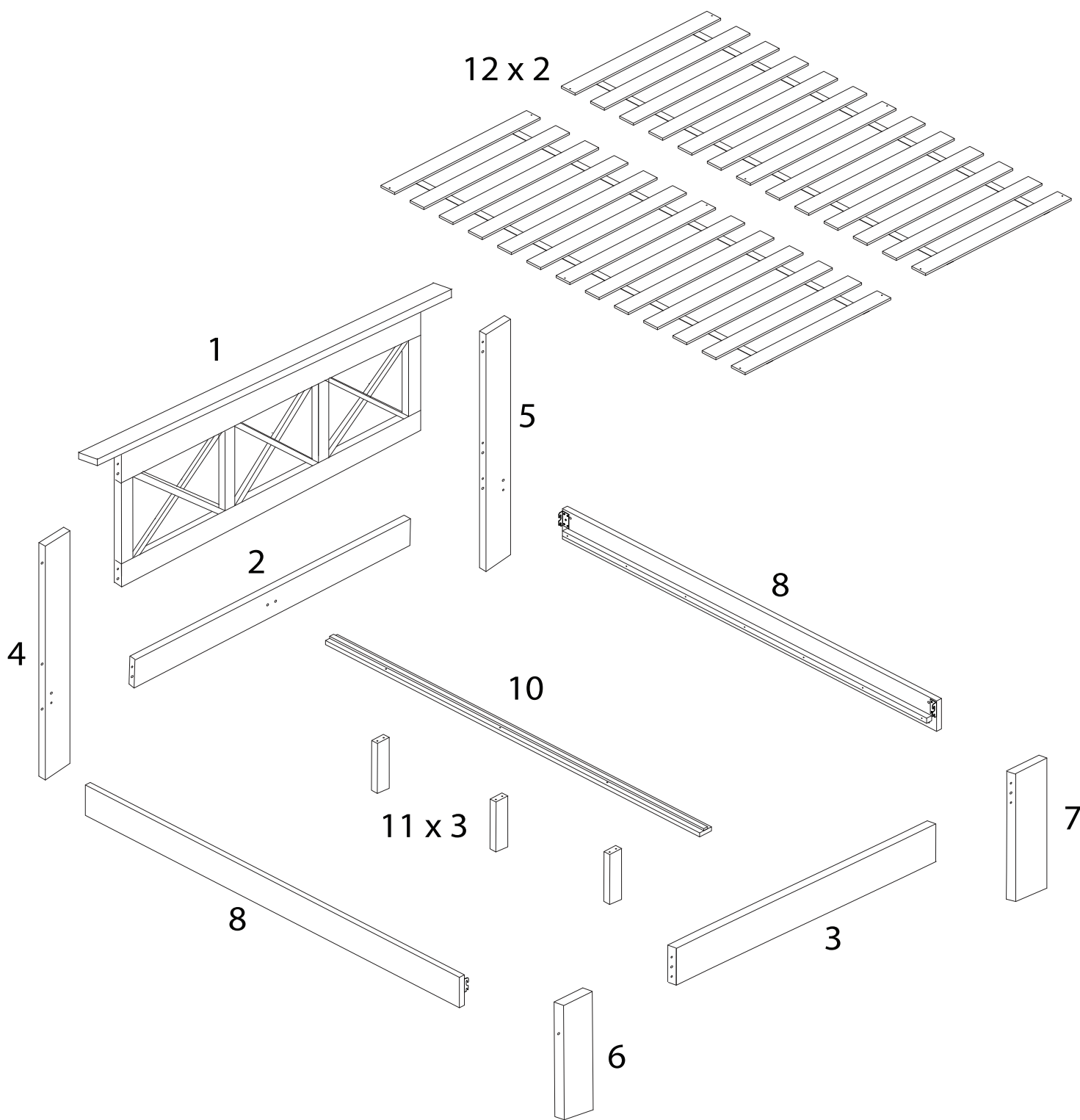
# TANNAY



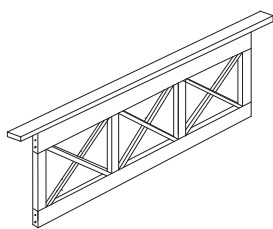


Assembly instructions for step 1/10:

- Tools:** A circle containing a screwdriver and an Allen key. A power drill is shown with a diagonal line through it, indicating it is not to be used.
- Warning:** A triangle with an exclamation mark.
- Time:** A clock icon with the text "60'" below it, indicating a 60-minute assembly time.
- Personnel:** A person icon with the number "2" below it, indicating that two people are required for assembly.

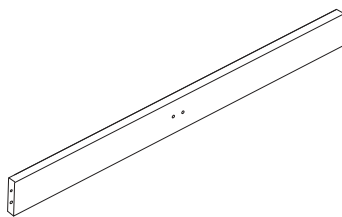


1



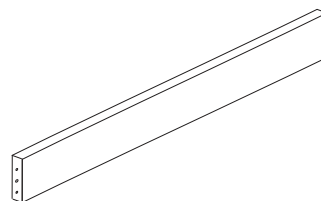
x 1

2



x 1

3



x 1

4



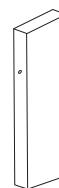
x 1

5



x 1

6



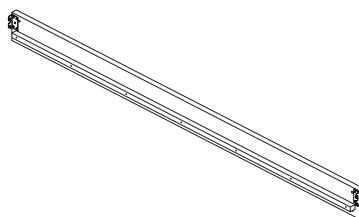
x 1

7



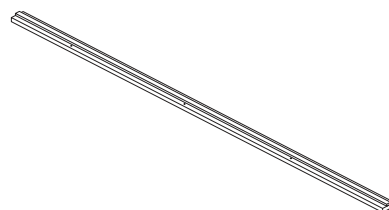
x 1

8



x 2

10



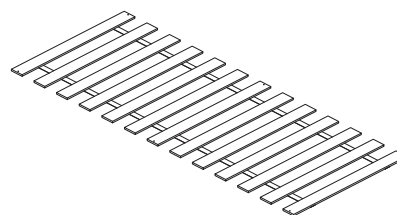
x 1

11



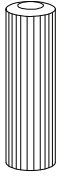
x 3

12



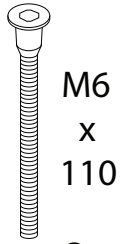
x 2

A



x 10

B



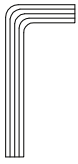
M6  
x  
110  
x 8

C



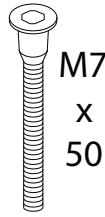
x 8

D



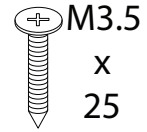
x 1

E



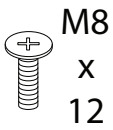
M7  
x  
50  
x 8

F



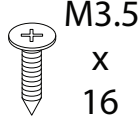
M3.5  
x  
25  
x 16

G



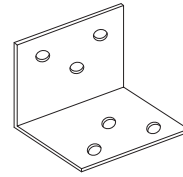
M8  
x  
12  
x 8

H



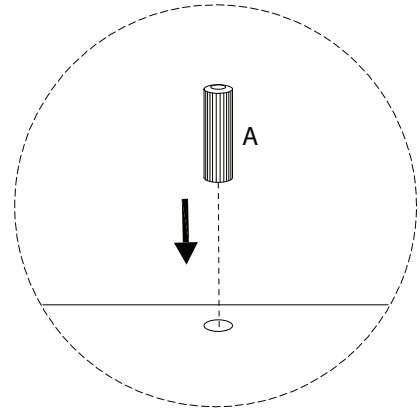
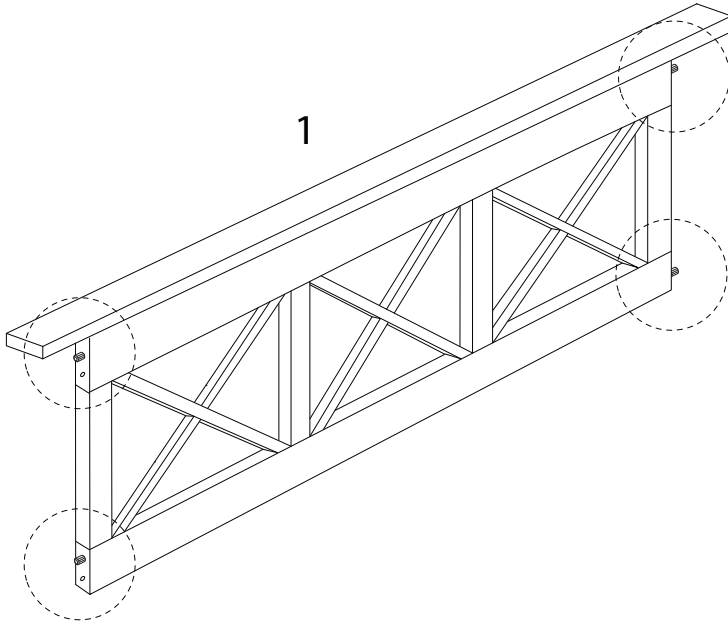
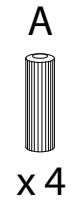
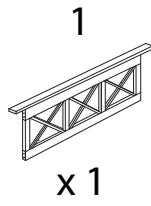
M3.5  
x  
16  
x 6

J

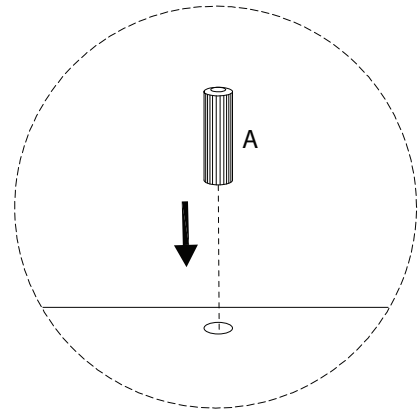
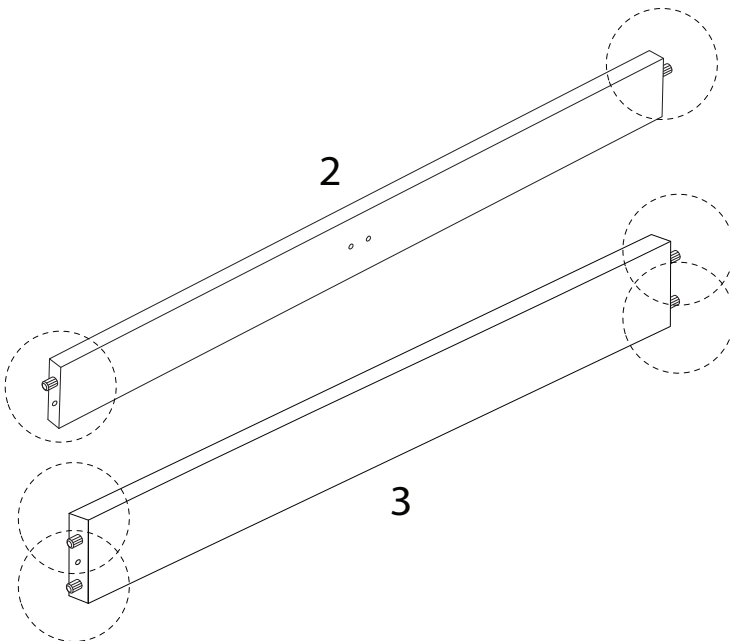
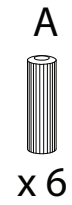
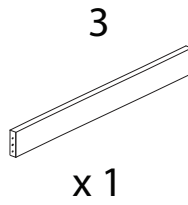
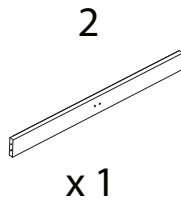


x 1

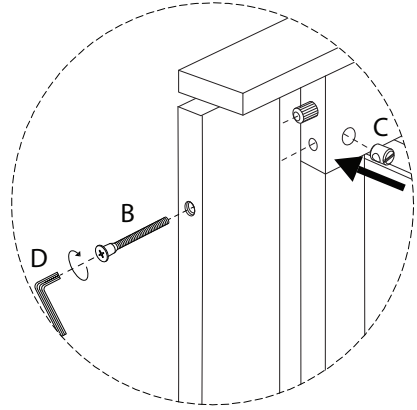
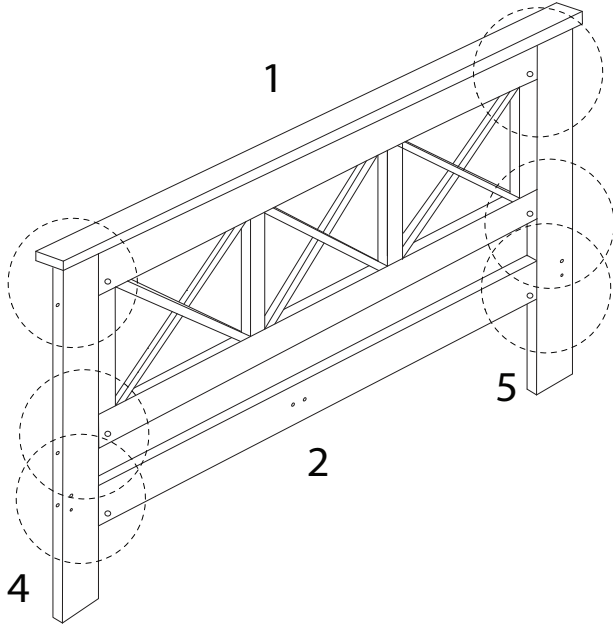
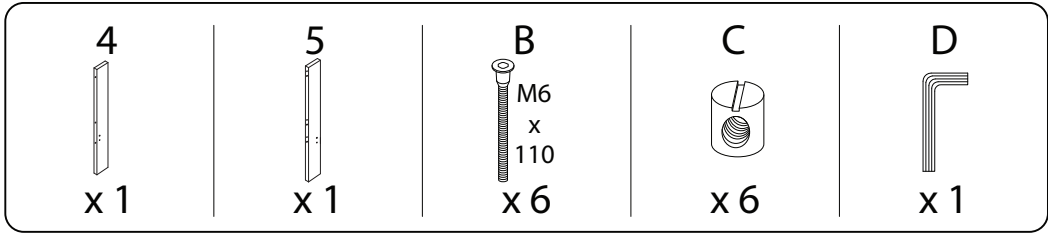
1



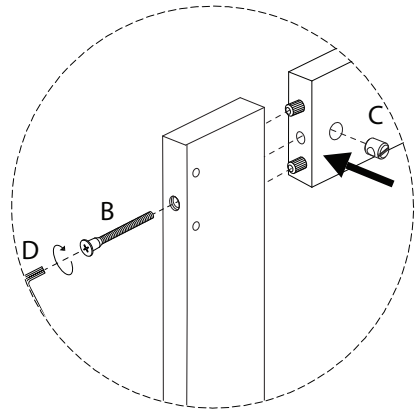
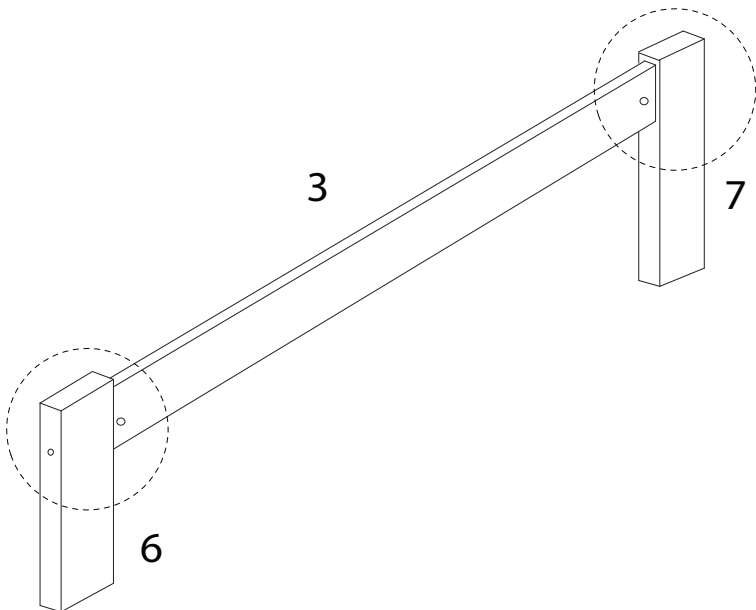
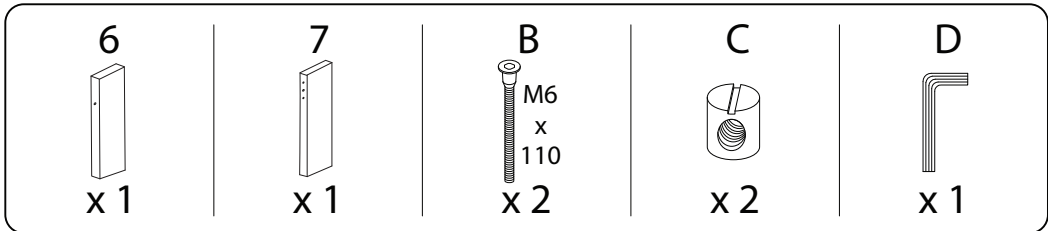
2



3



4

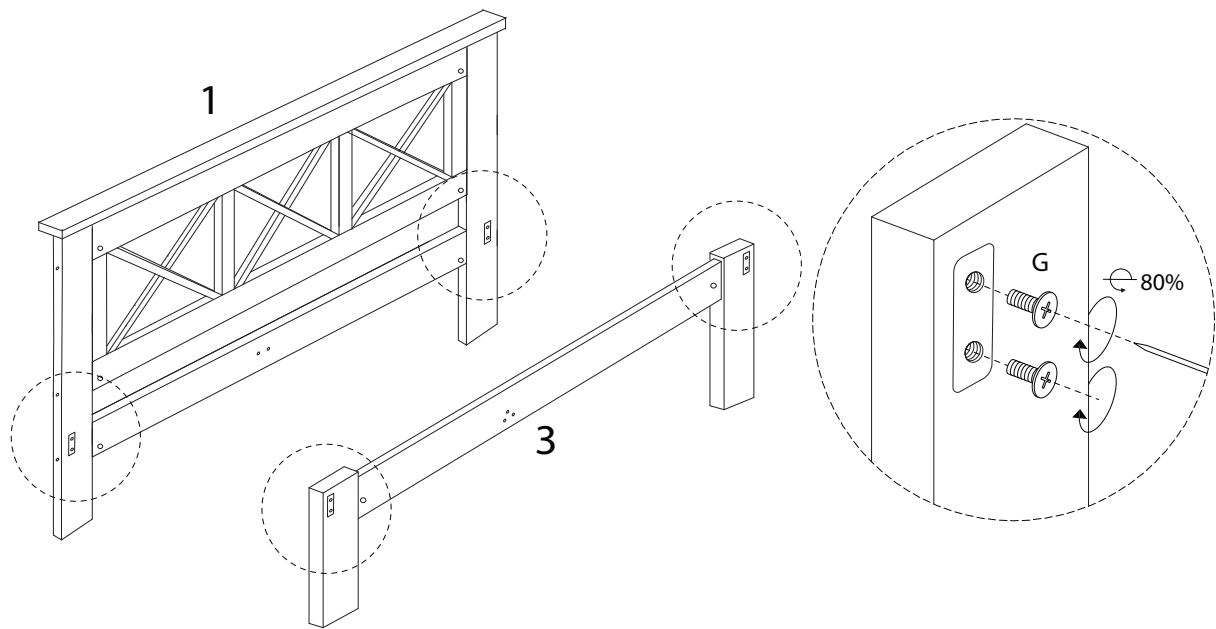


5

G

M8  
x  
12

x 8



6

10

x 1

11

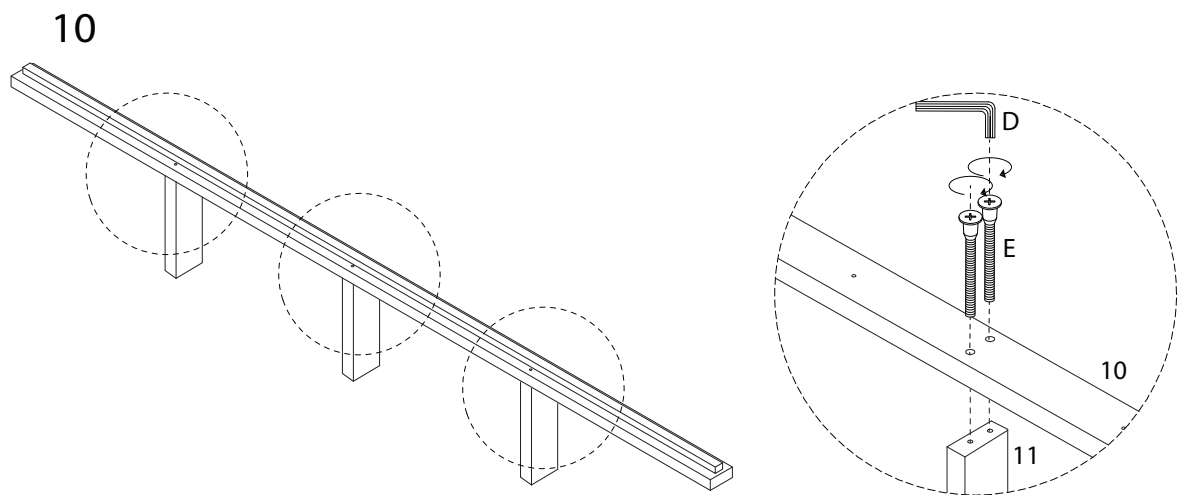
x 3

D

x 1

E

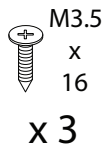
M7  
x  
50  
x 6



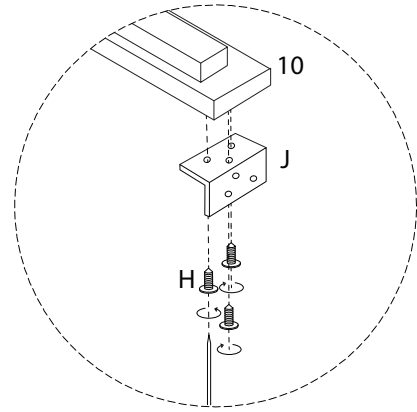
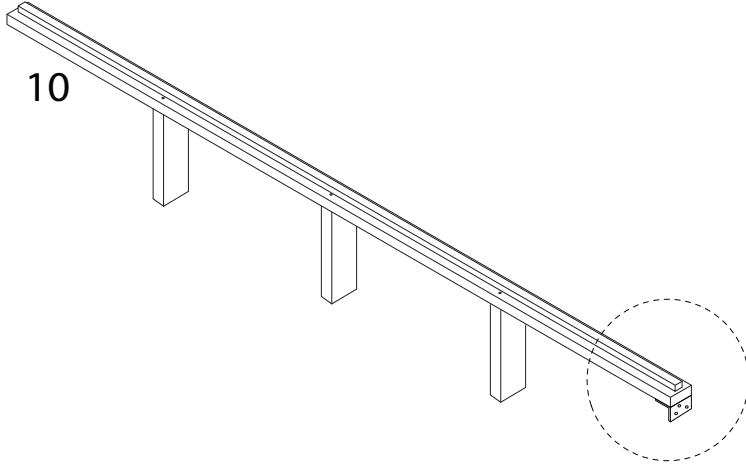
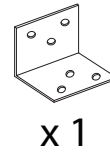


7

H

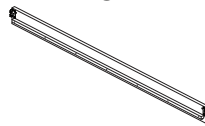


J

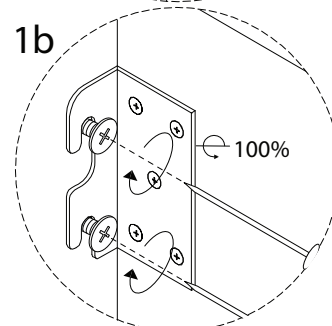
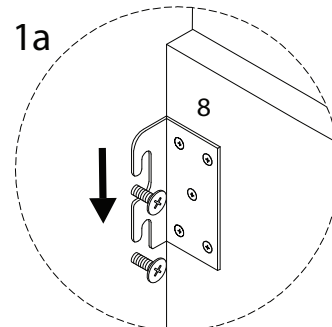
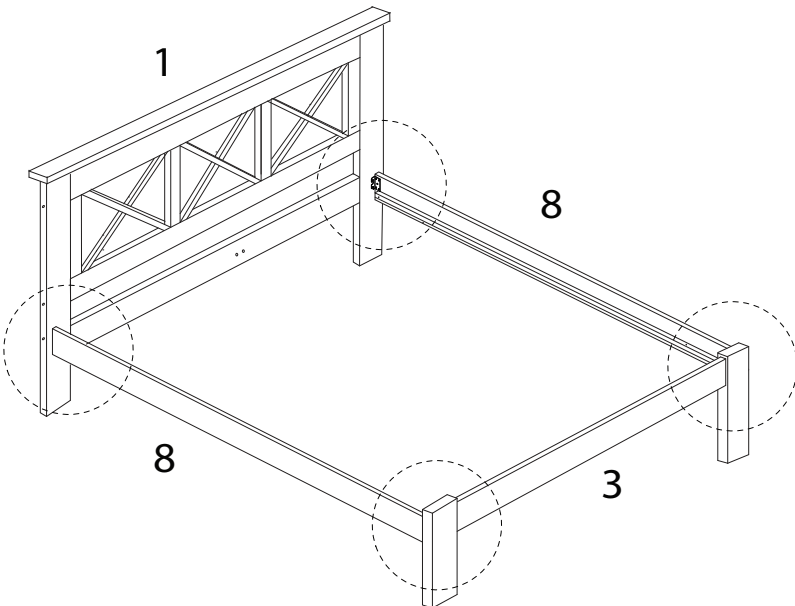


8

8



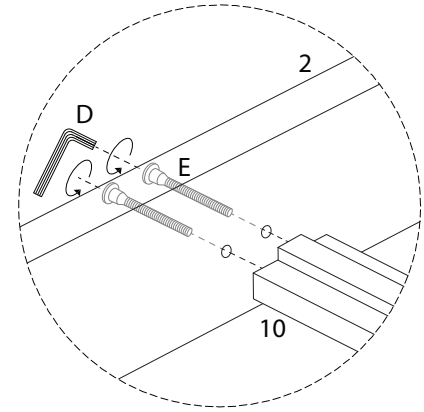
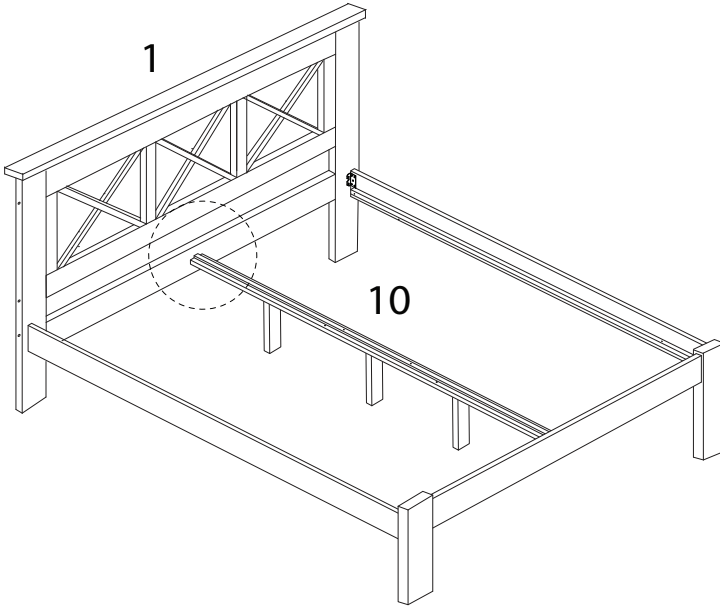
x 2



9

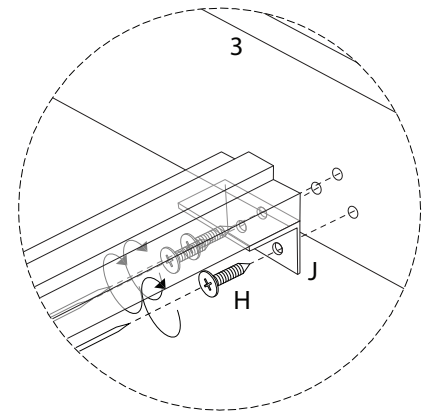
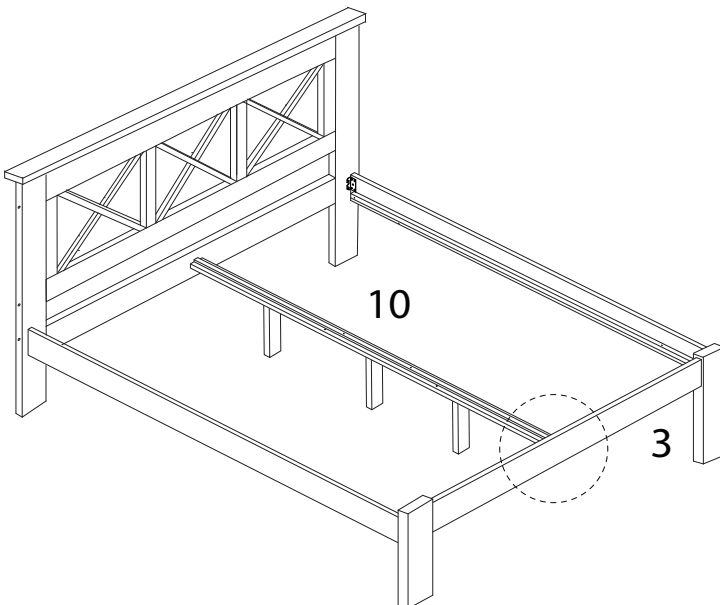
D  
x 1

E  
M7  
x  
50  
x 2



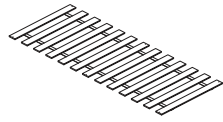
10

H  
M3.5  
x  
16  
x 3



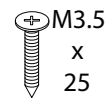
11

12



x 2

F



x 16

