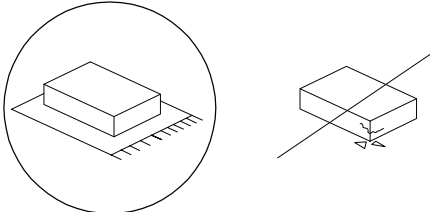
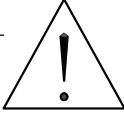

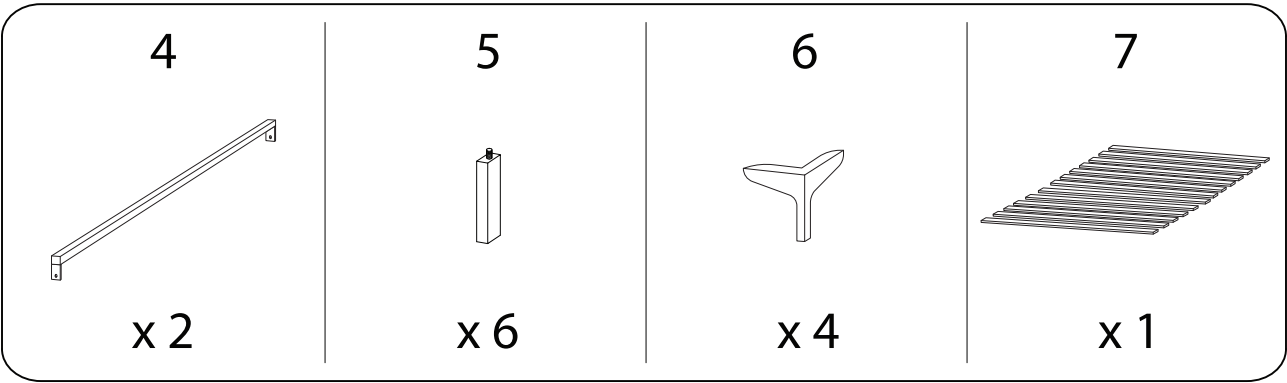
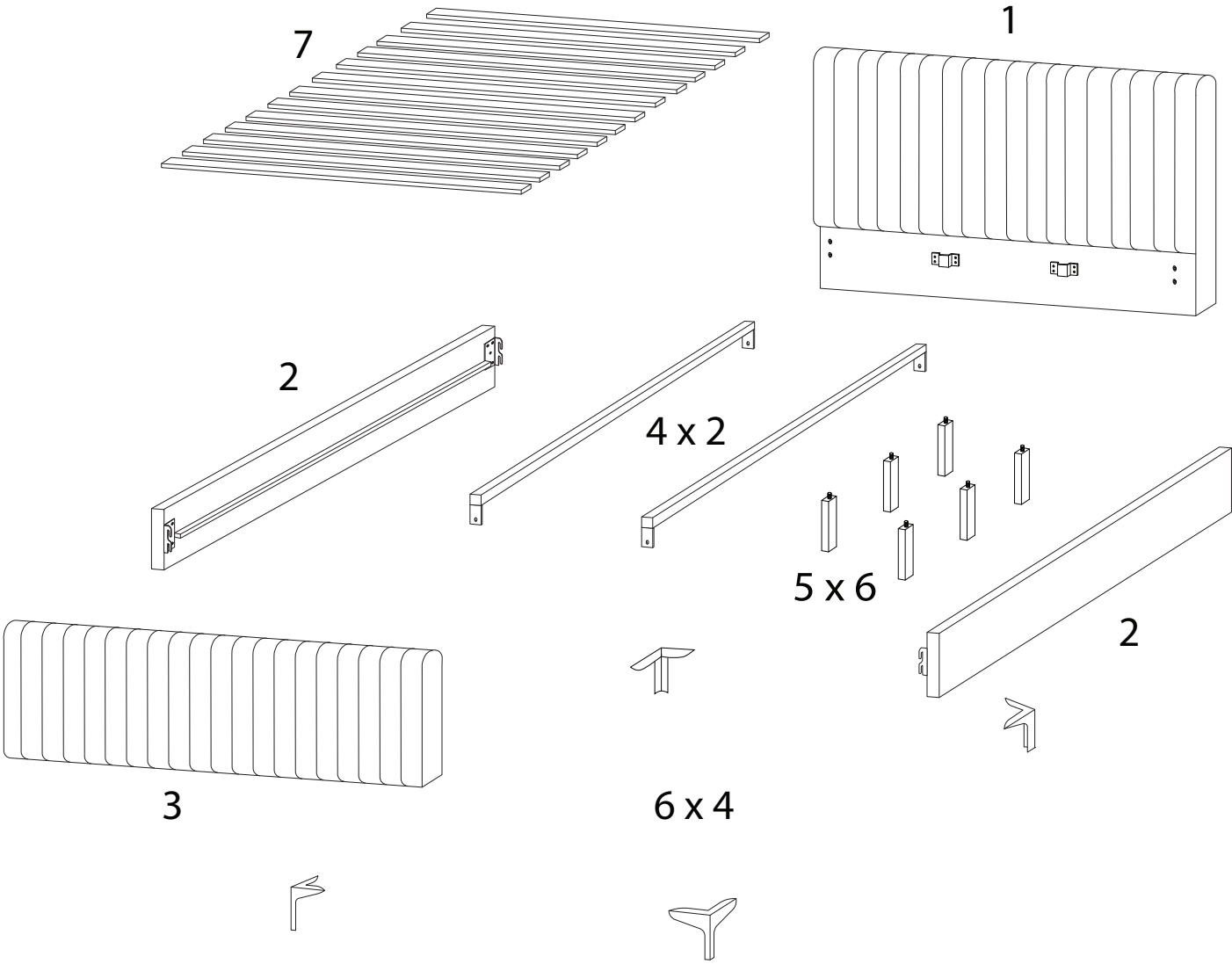
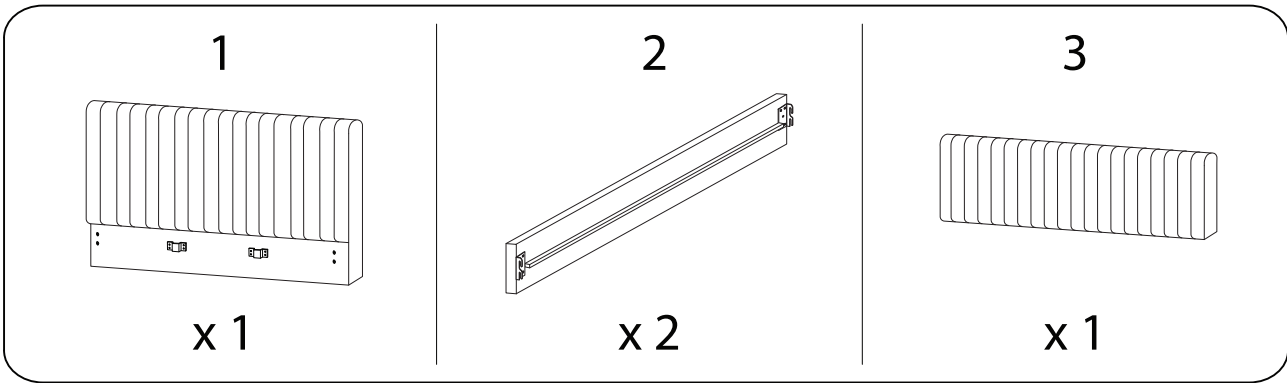
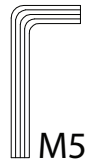

		<b>50'</b>
		
		<b>2</b>



A



x 1

B



x 4

C



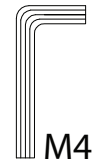
x 16

D



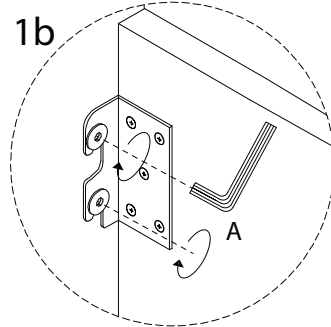
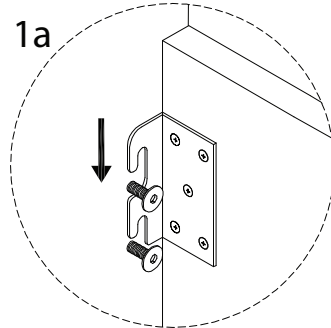
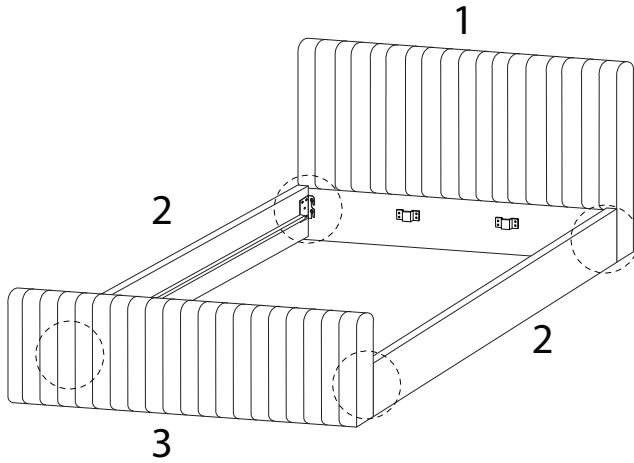
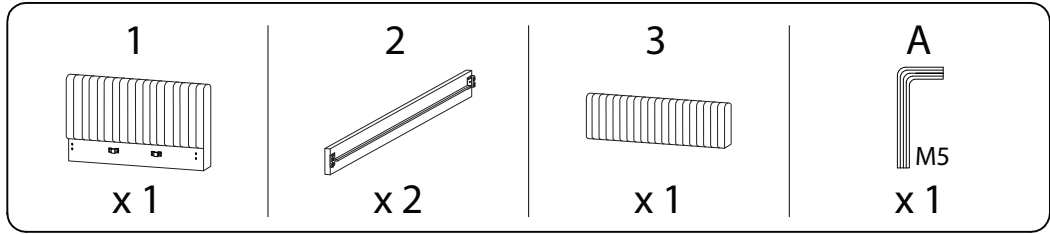
x 8

E

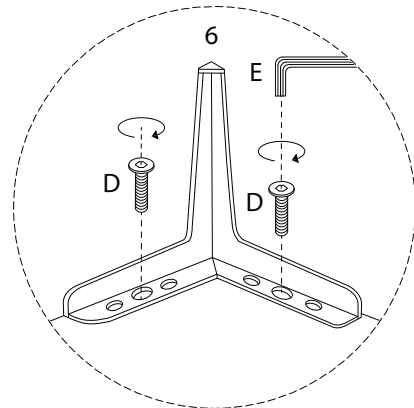
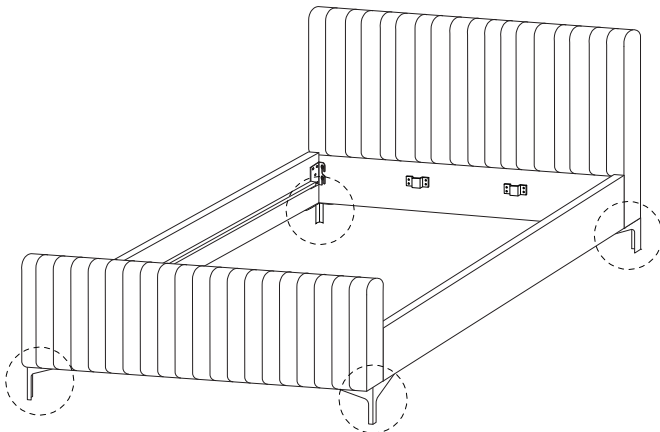
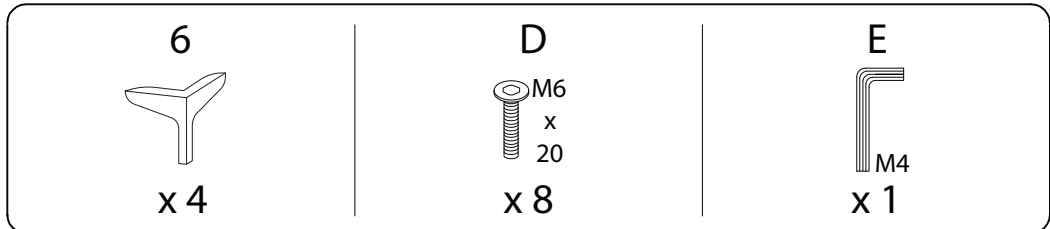


x 1

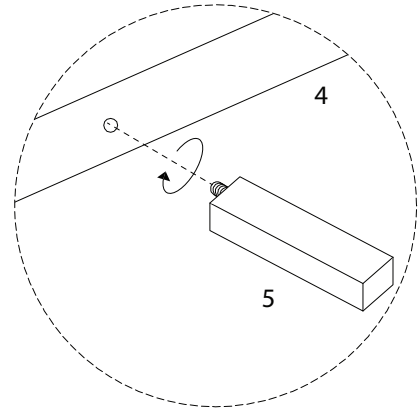
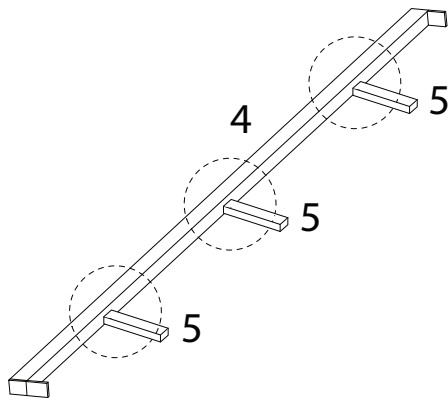
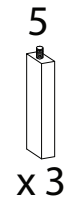
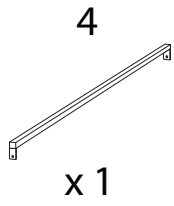
1



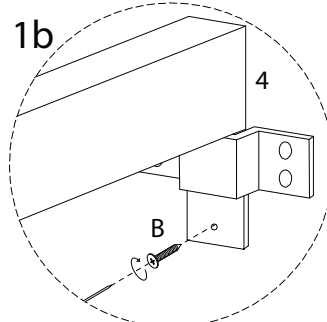
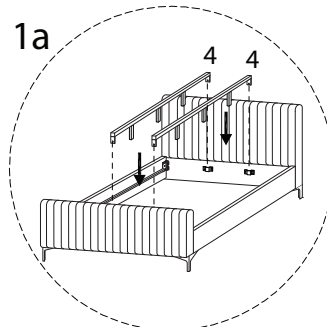
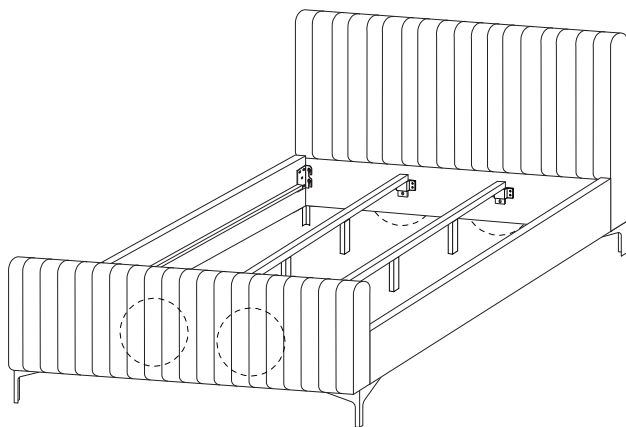
2



3 x 2

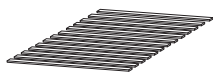


4



5

7

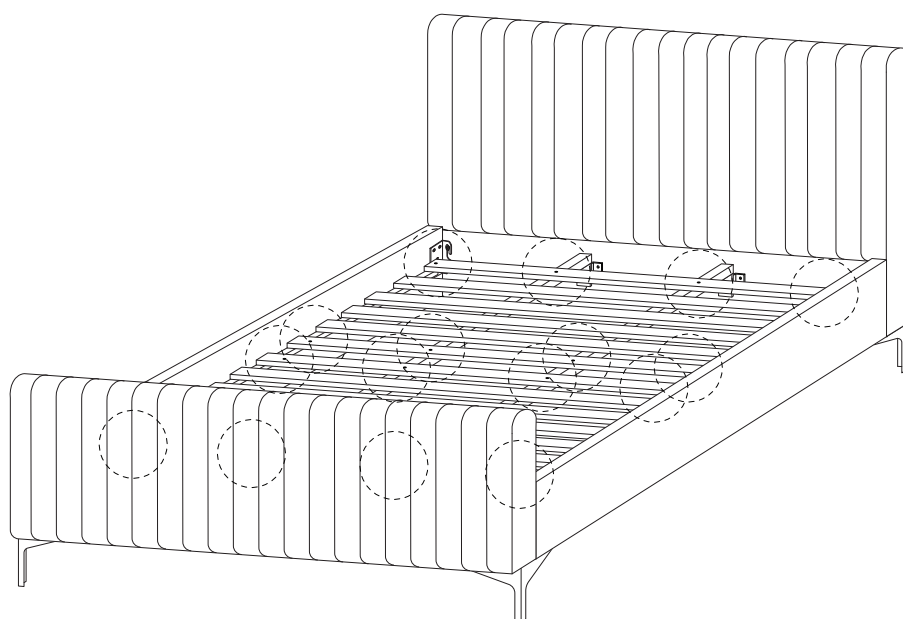


x 1

C

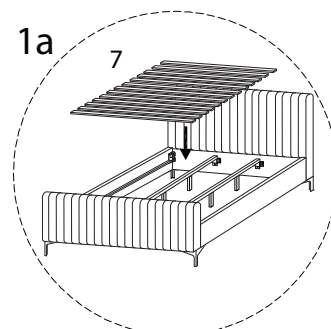


x 16



1a

7



1b

C

