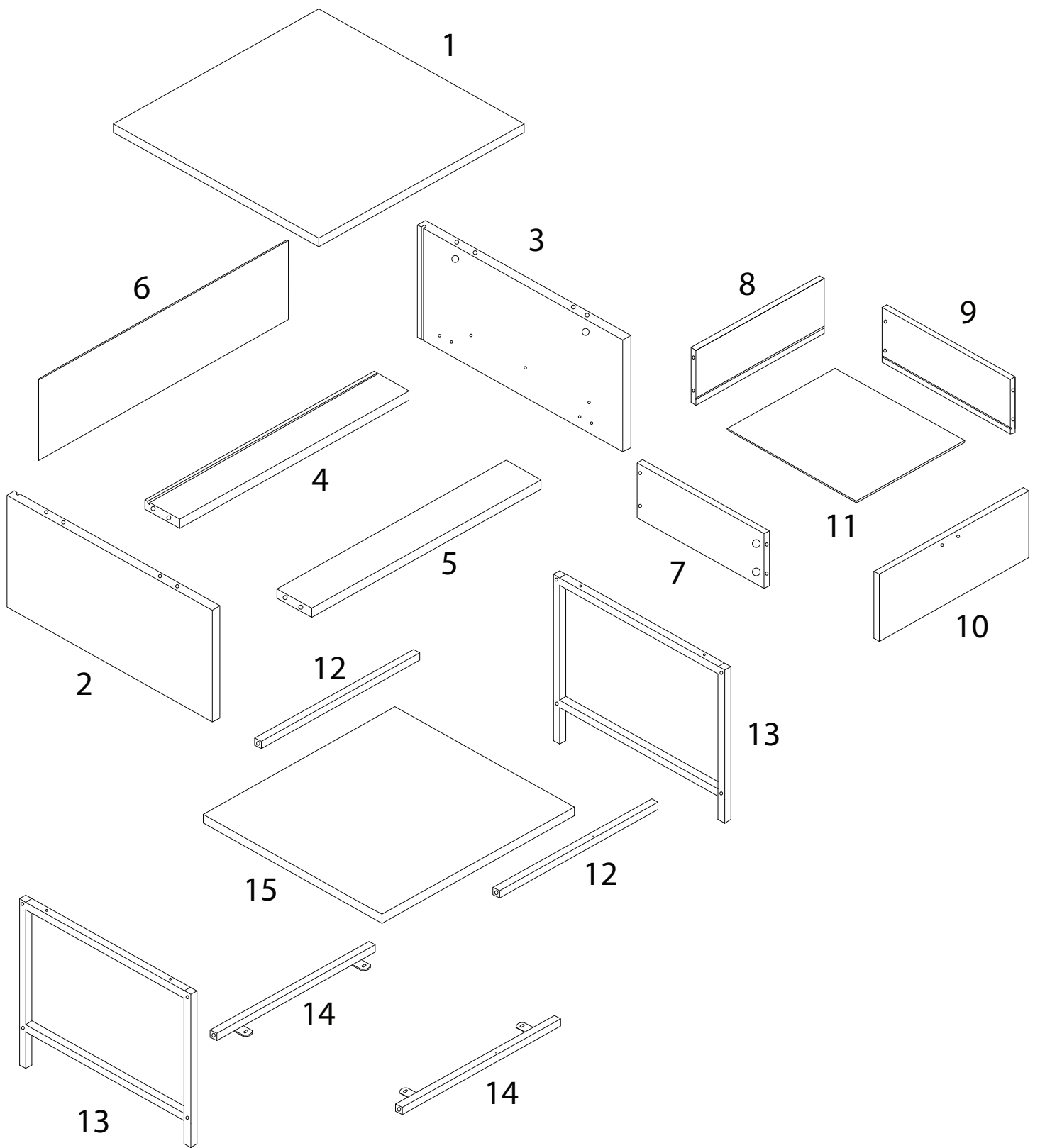
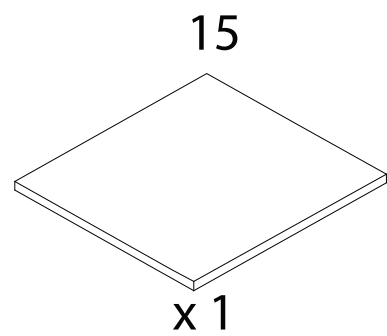
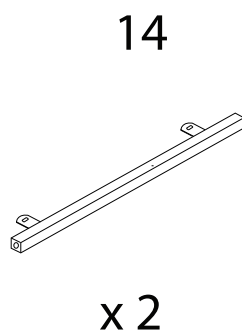
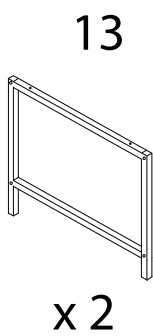
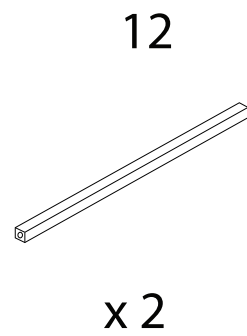
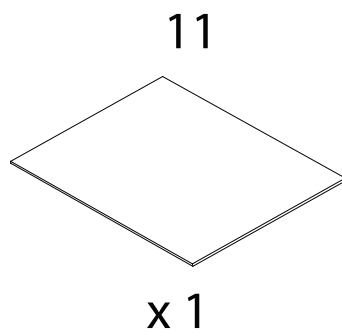
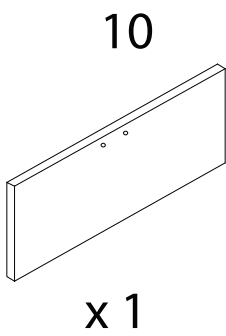
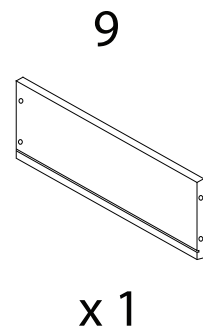
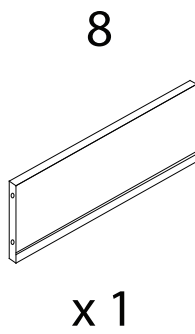
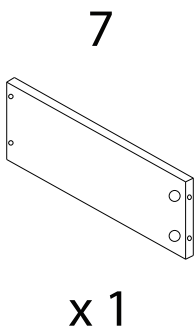
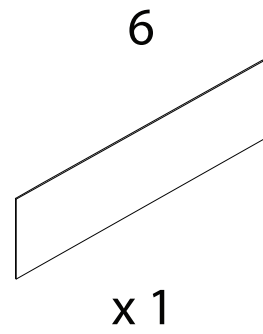
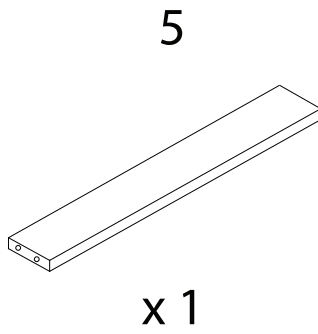
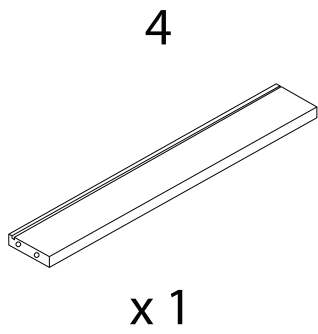
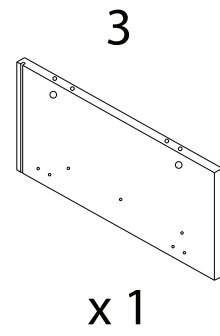
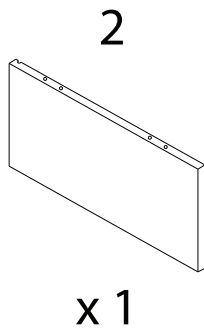
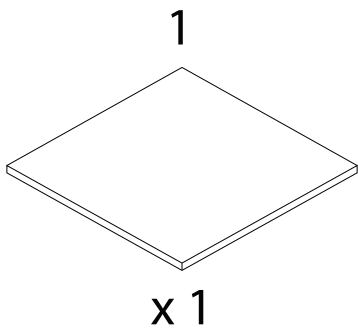


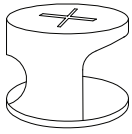
Assembly instructions for step 1/15:

- Tools:** A circle containing a screwdriver and an Allen key, and a crossed-out power drill icon.
- Warning:** A triangle with an exclamation mark.
- Time:** A clock icon with the text "30'".
- Personnel:** A person icon with the text "1".
- Diagram:** A circle containing a 3D block being placed on a textured surface, and a crossed-out 3D block with a double-headed arrow indicating a gap.



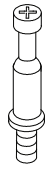


A



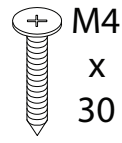
x 12

B



x 12

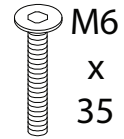
C



M4
x
30

x 4

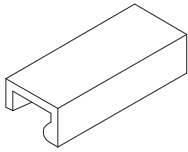
D



M6
x
35

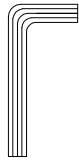
x 8

E



x 1

F



x 1

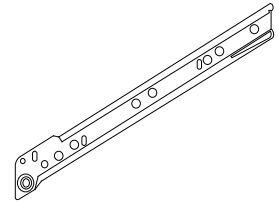
G



M3
x
12

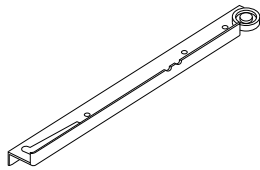
x 18

H1



x 2

H2



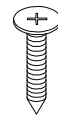
x 2

I



x 8

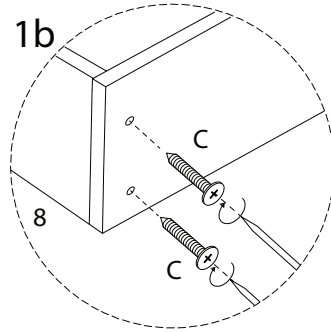
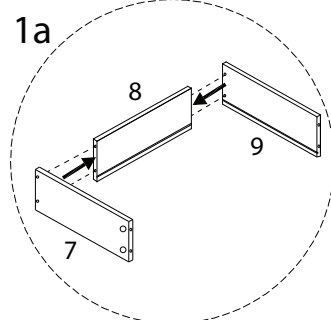
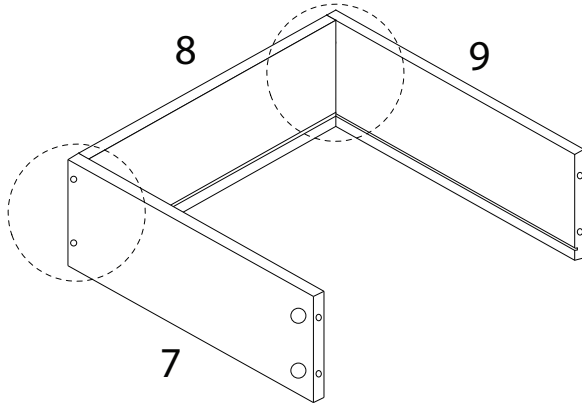
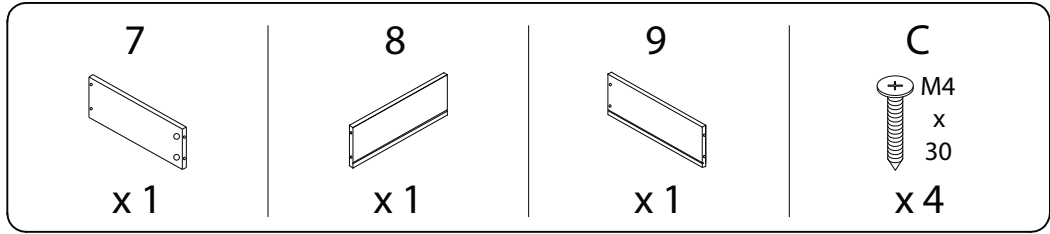
J



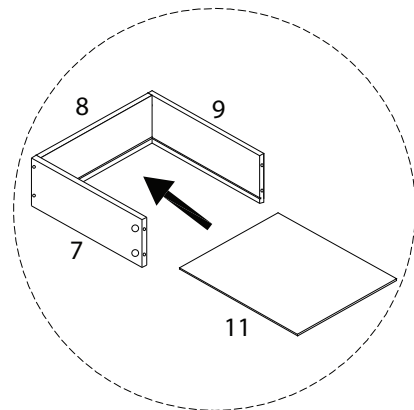
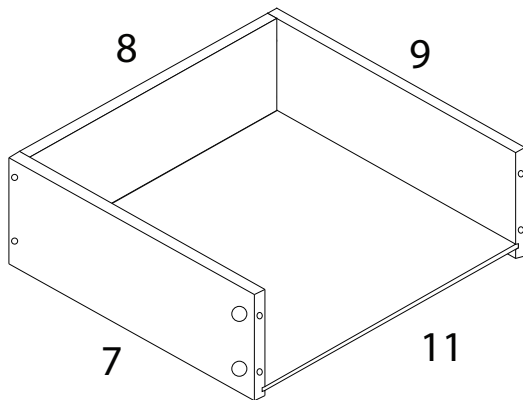
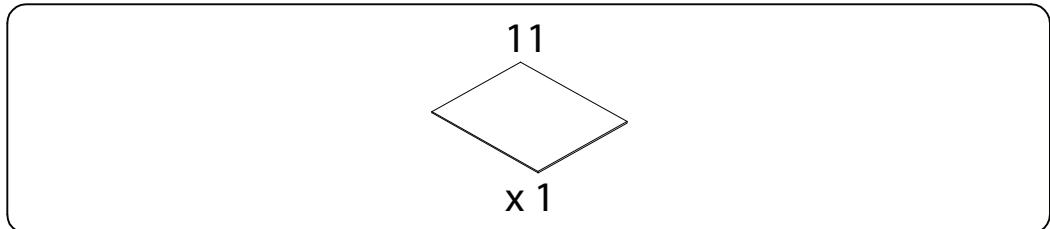
M4
x
25

x 4

1

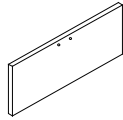


2



3

10

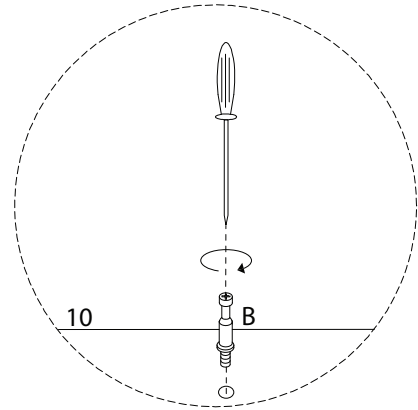
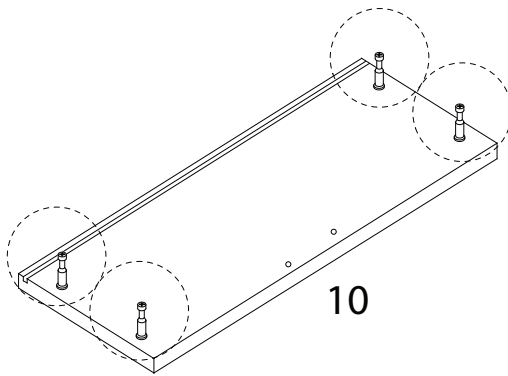


x 1

B

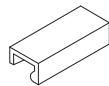


x 4



4

E



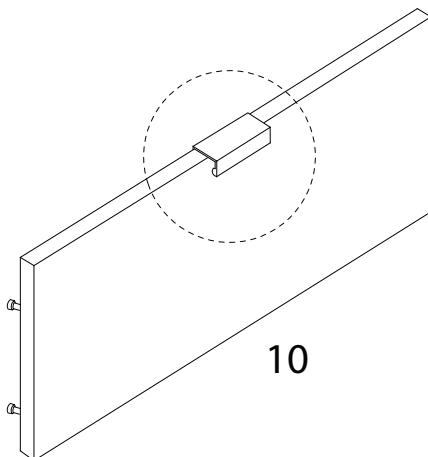
x 1

G

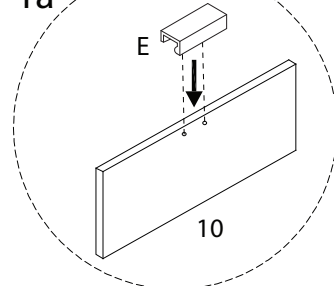


M3
x
12

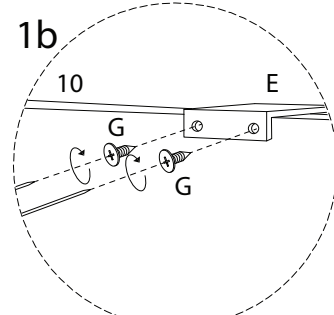
x 2



1a



1b

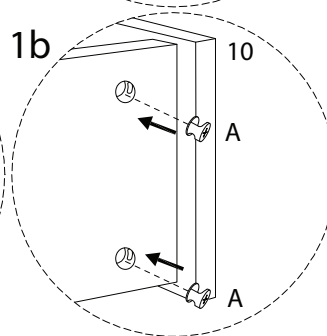
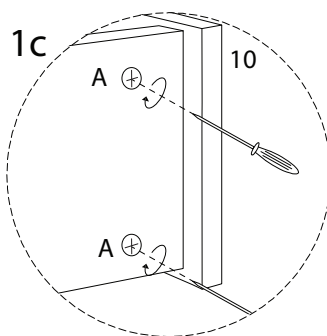
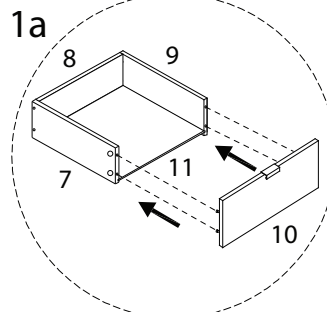
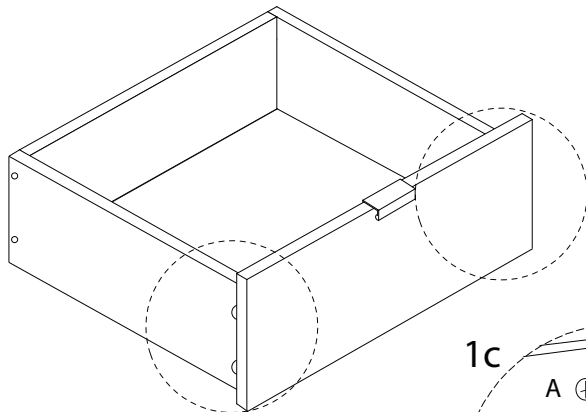


5

A



x4

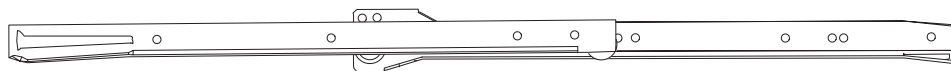


!

H2



H1



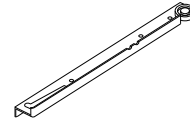
6

G

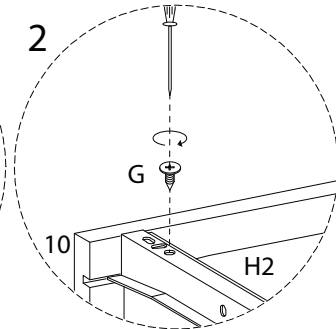
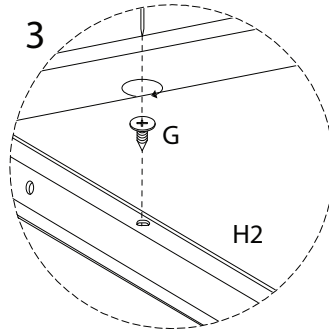
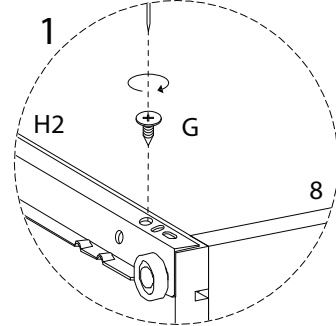
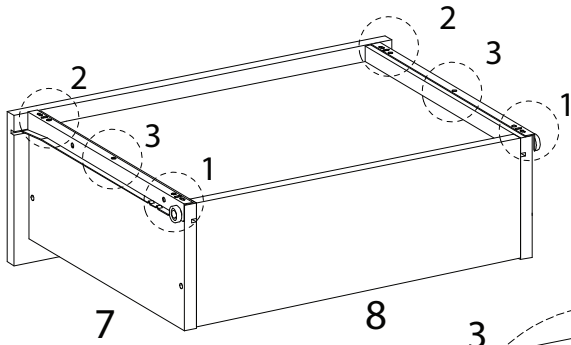


x 6

H2

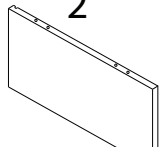


x 2



7

2



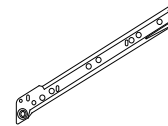
x 1

G

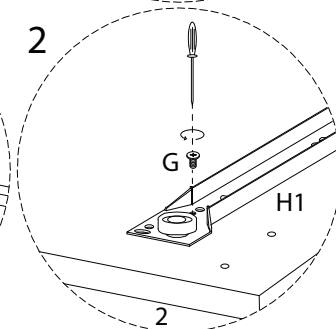
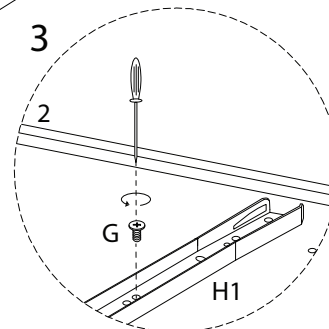
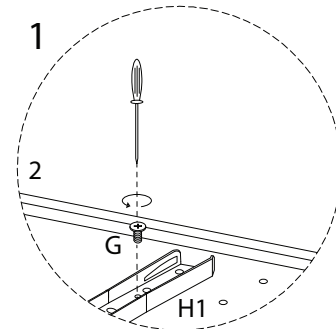
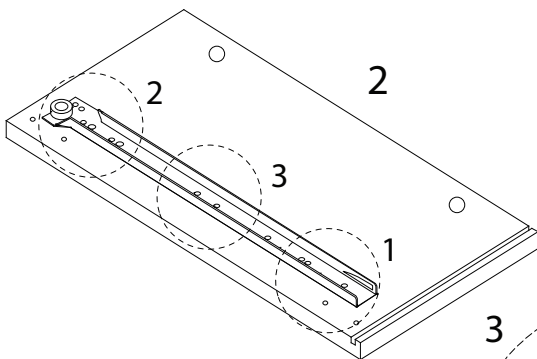


x 3

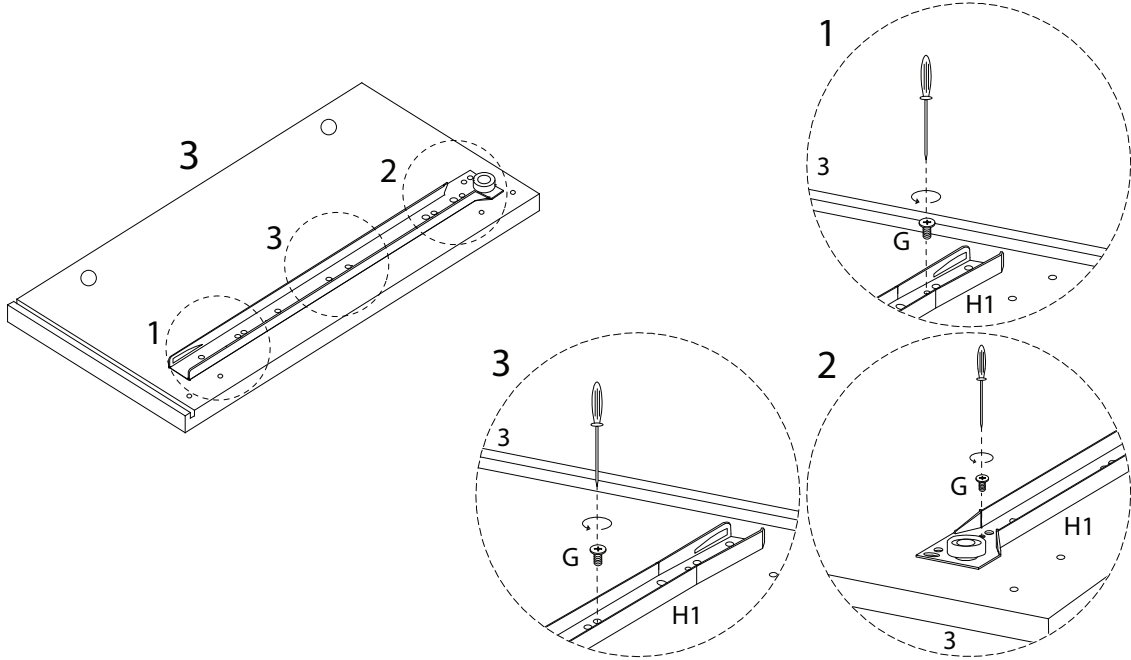
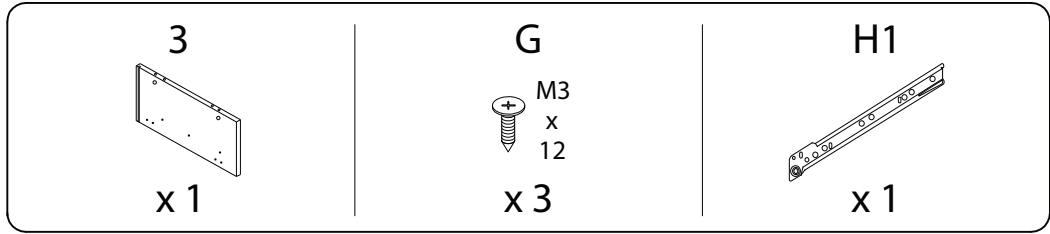
H1



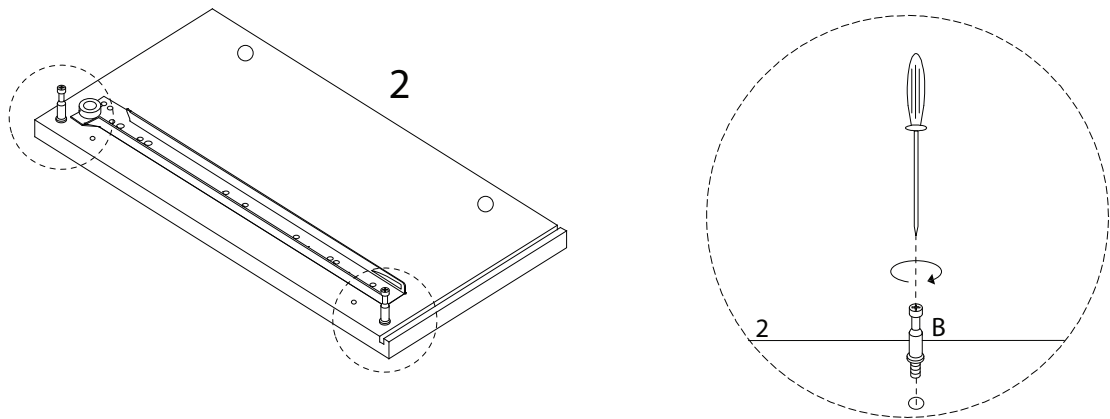
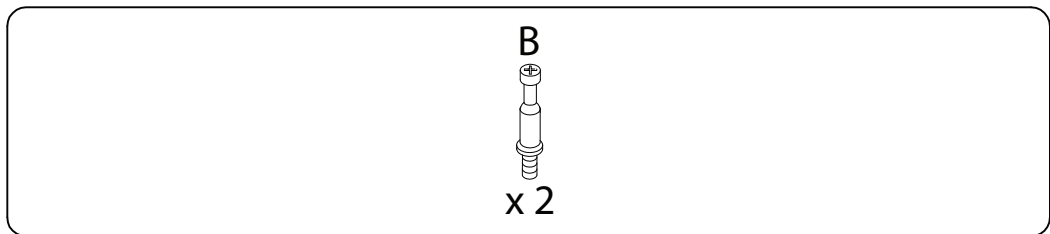
x 1



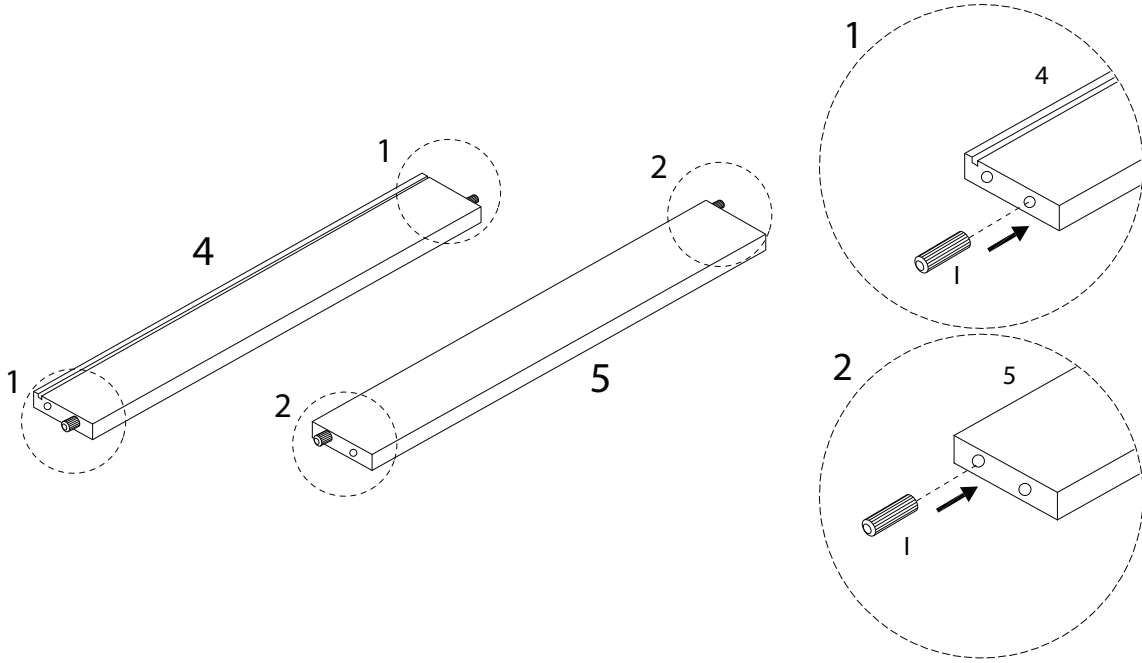
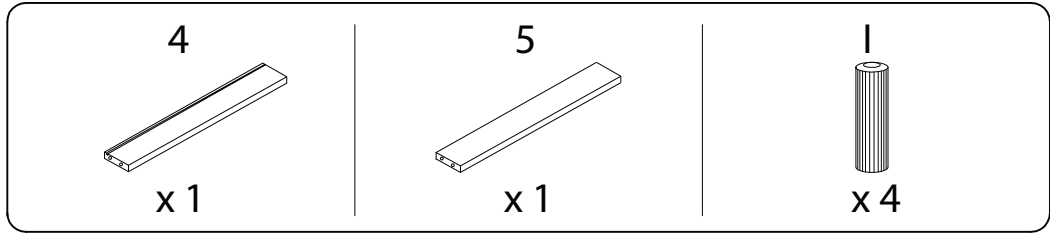
8



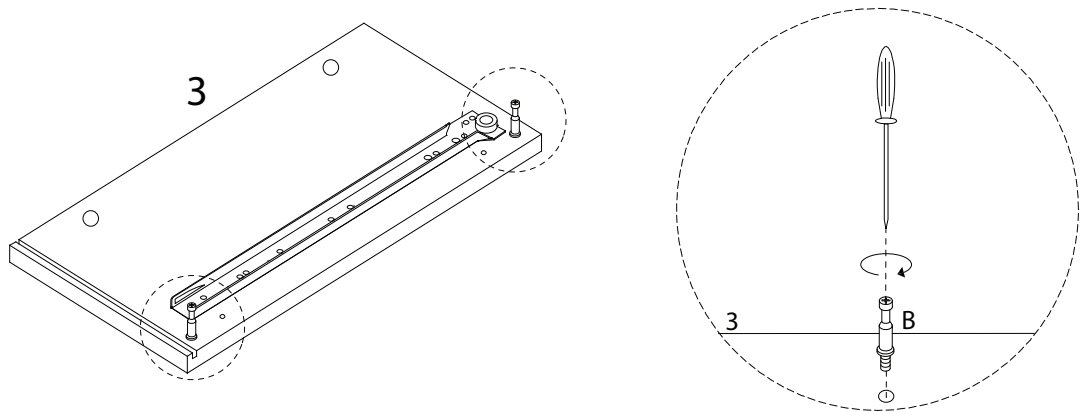
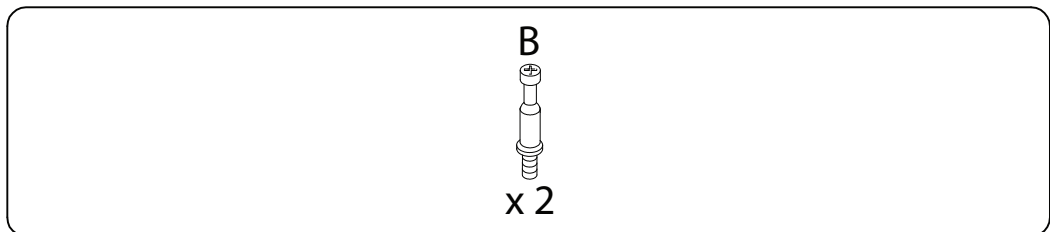
9



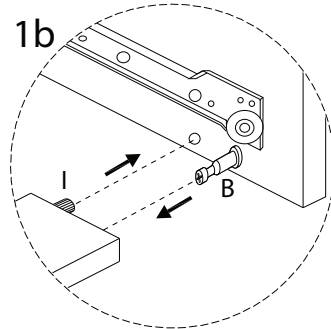
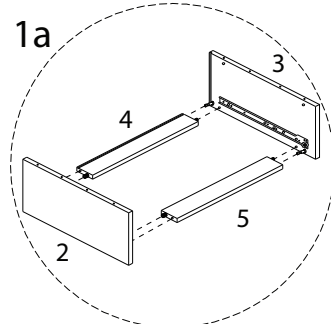
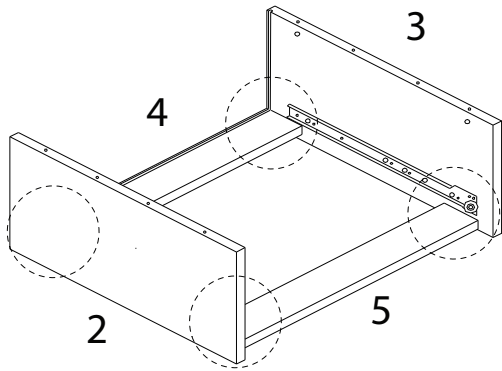
10



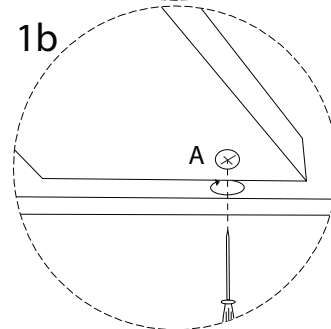
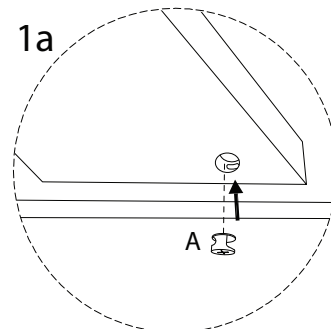
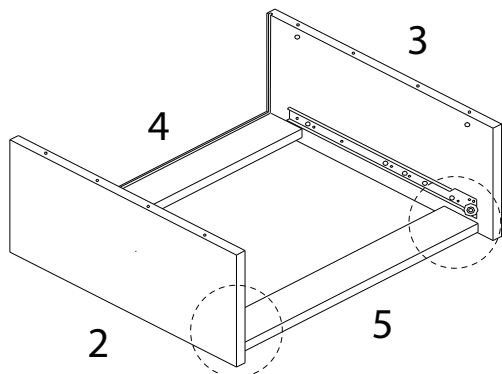
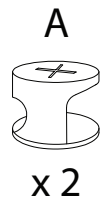
11



12



13

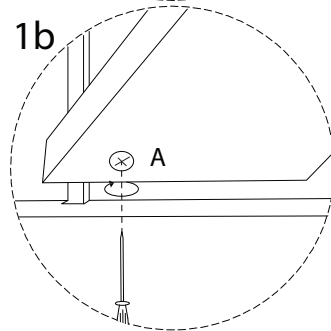
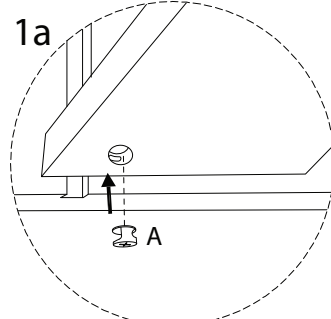
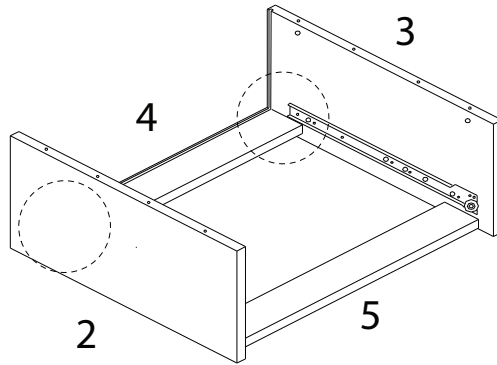


14

A

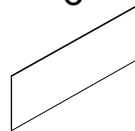


x 2

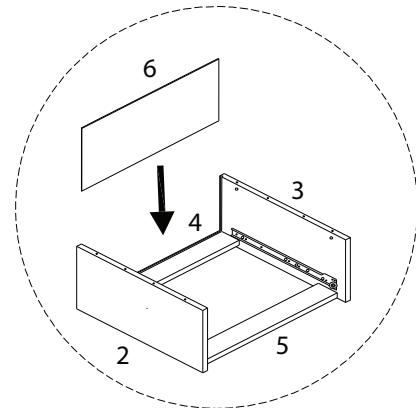
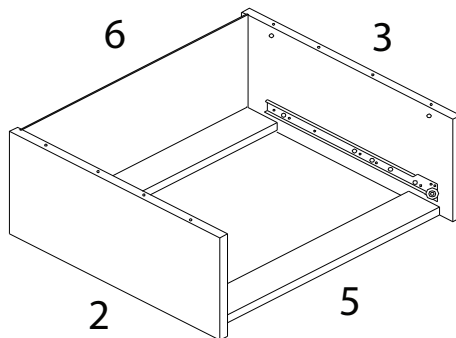


15

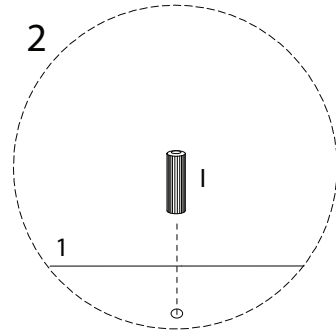
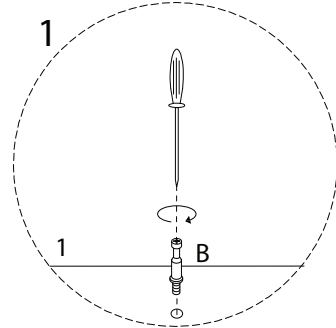
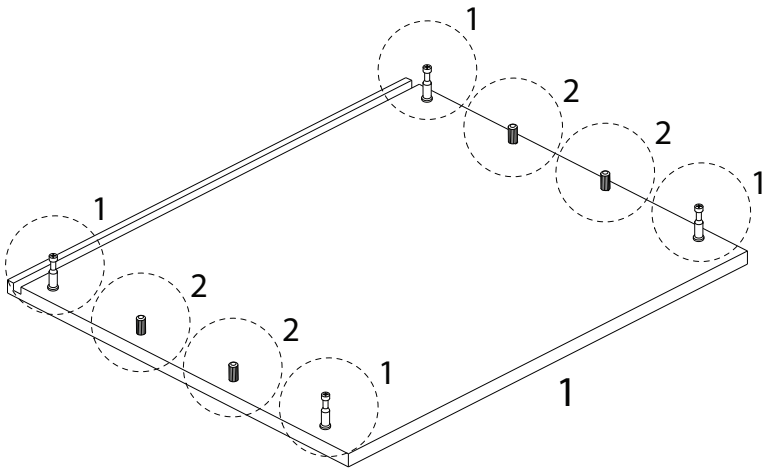
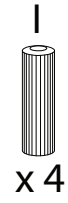
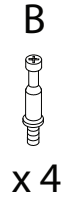
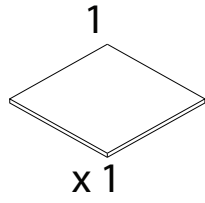
6



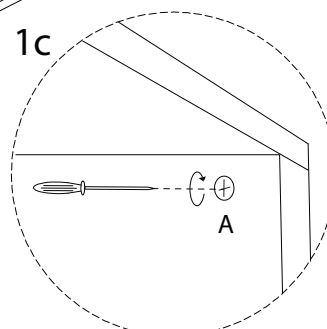
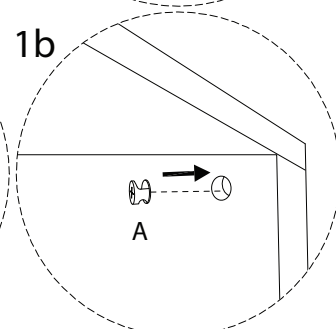
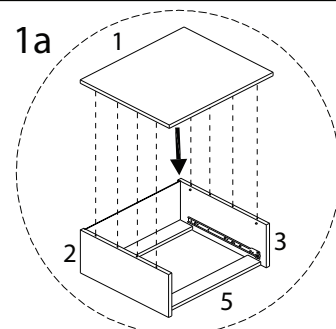
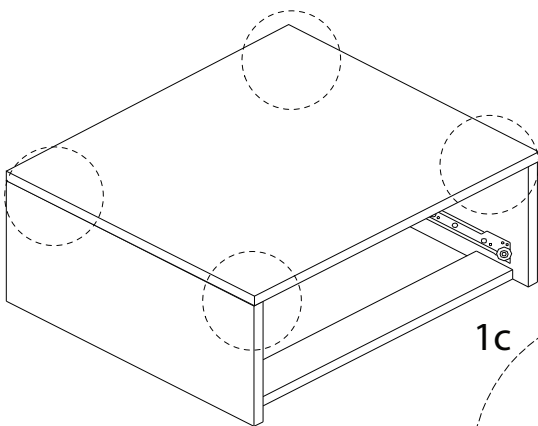
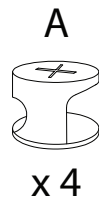
x 1



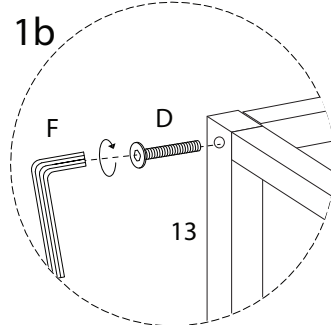
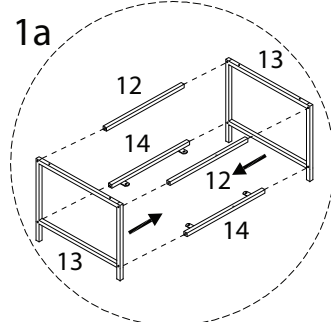
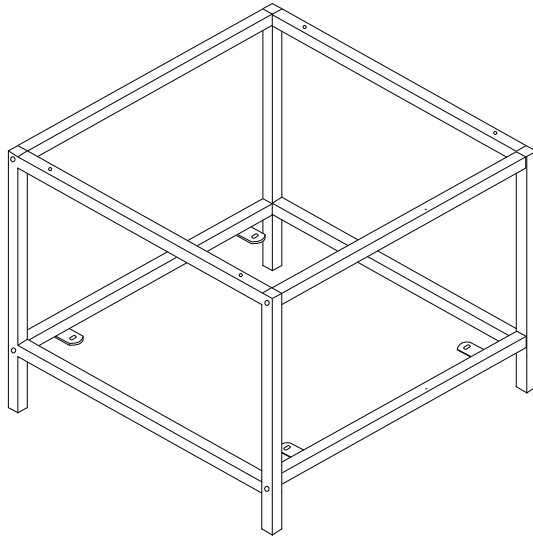
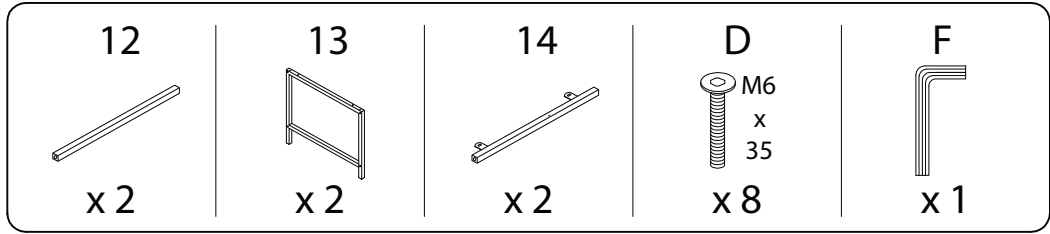
16



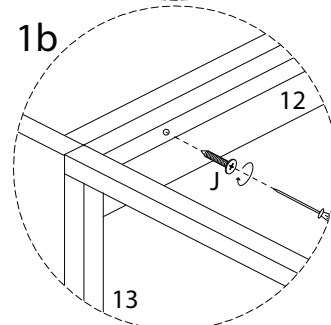
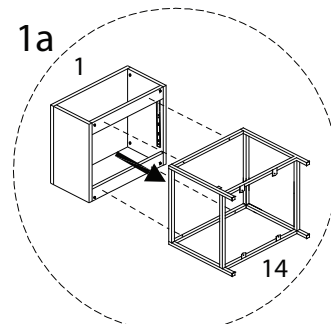
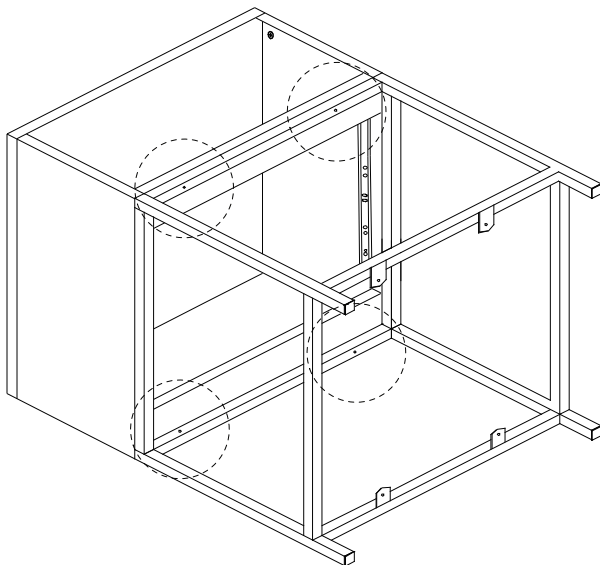
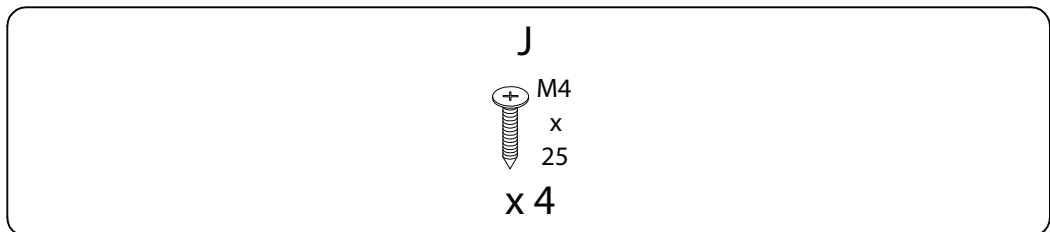
17



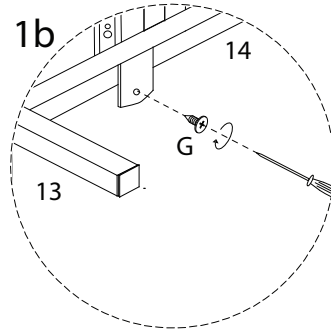
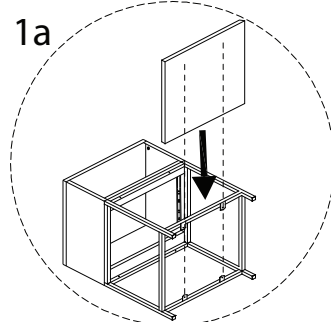
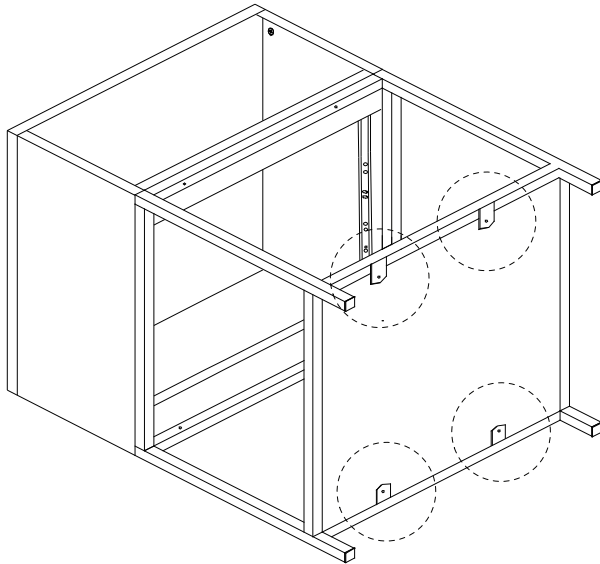
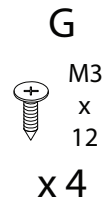
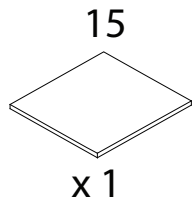
18



19



20



21

