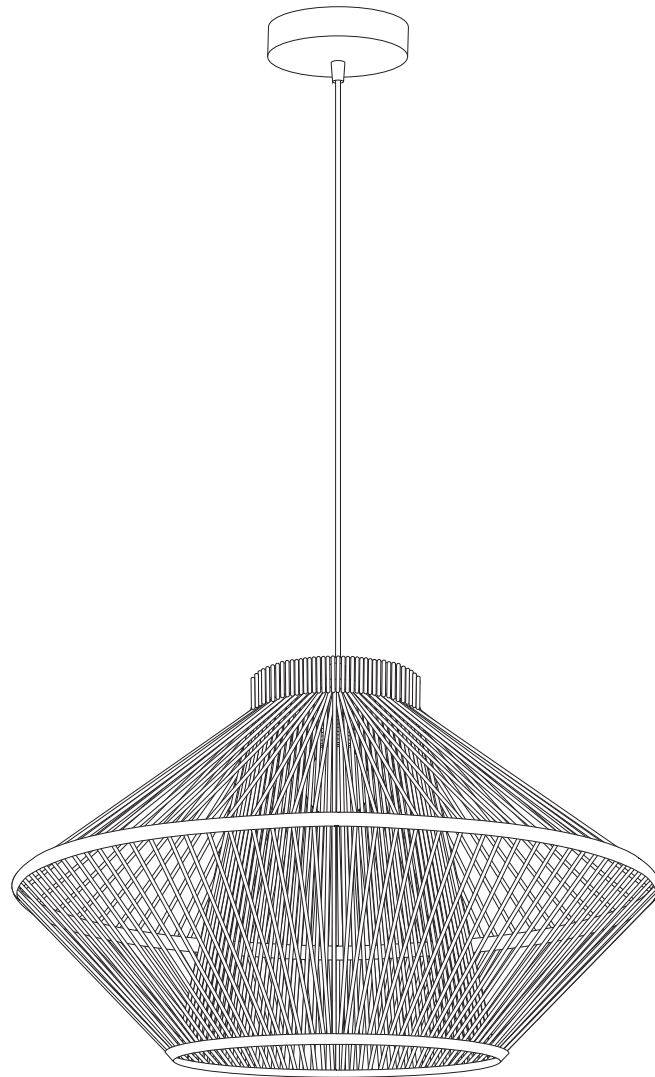
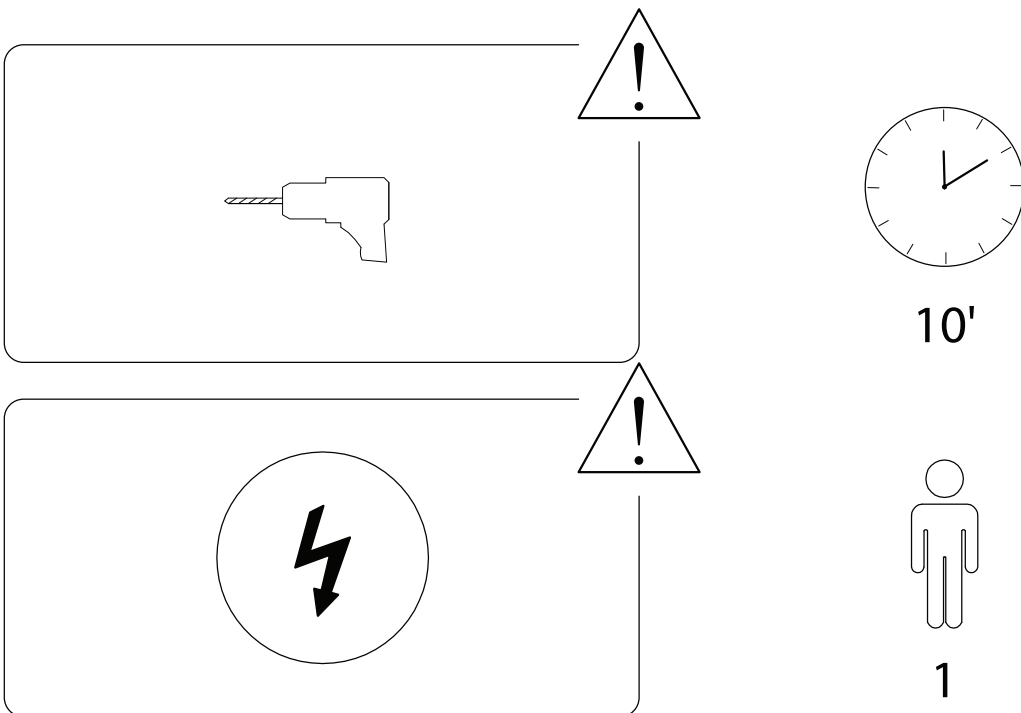
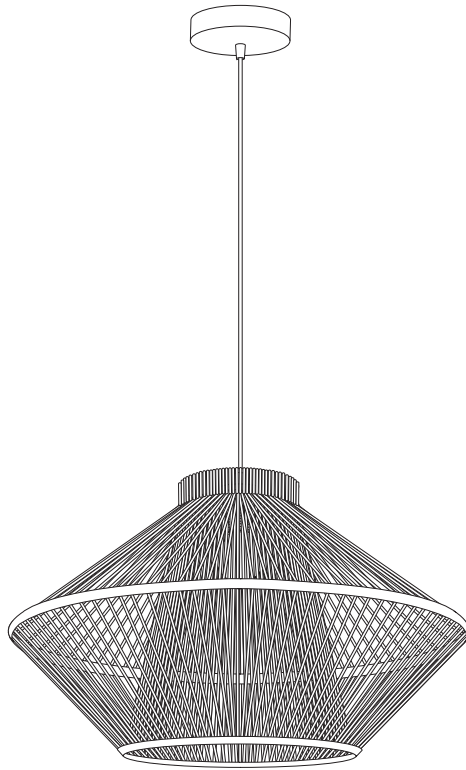
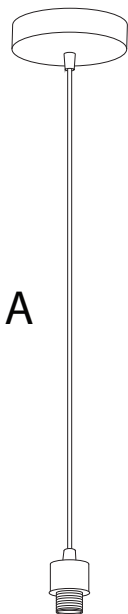


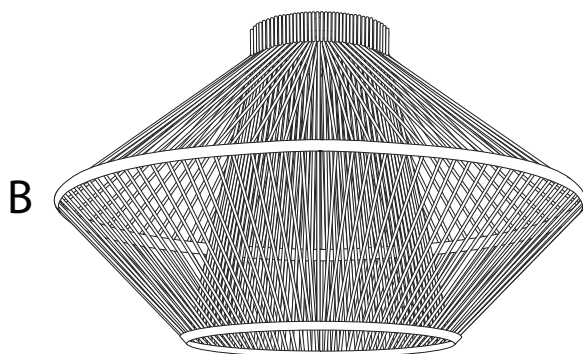
PALMETTO








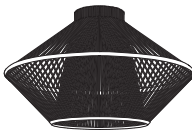
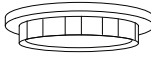
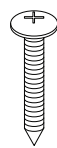
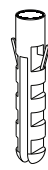
A



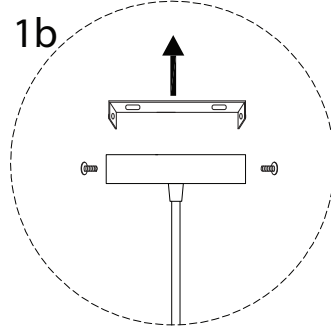
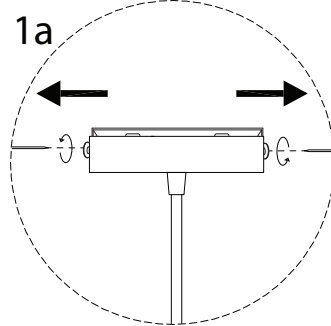
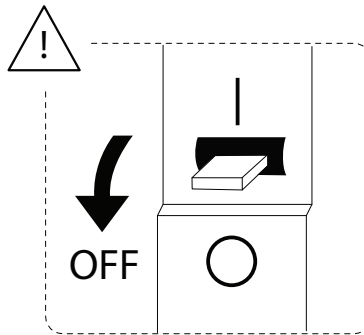
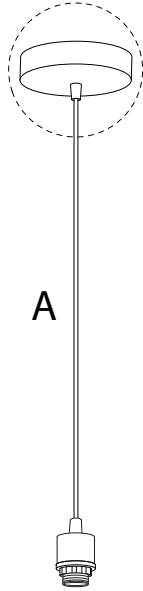
B



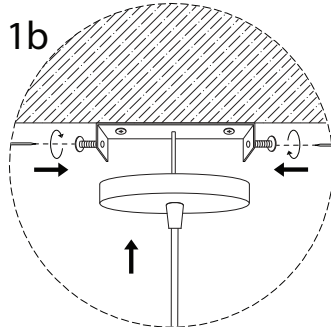
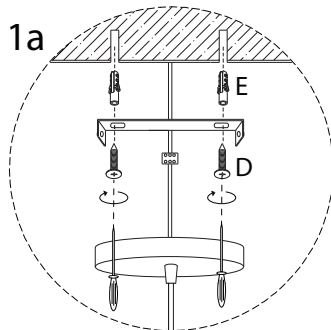
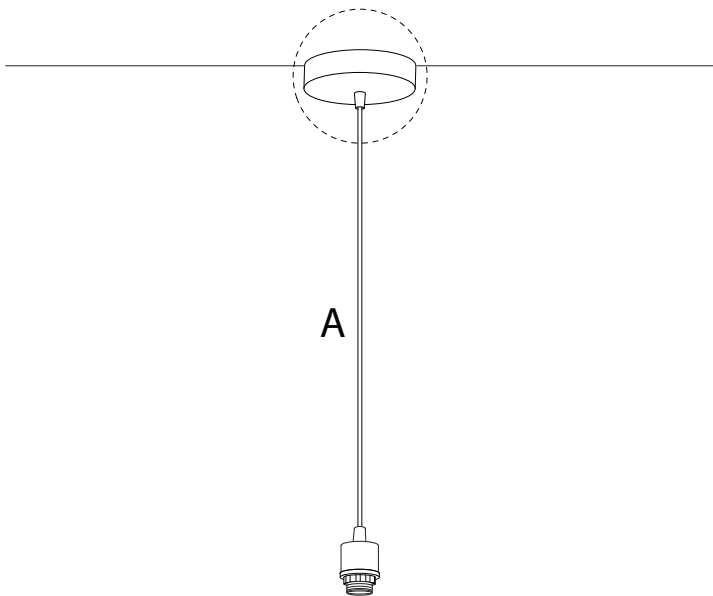
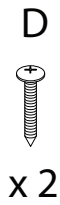
C

 <p>A</p> <p>x 1</p>	 <p>B</p> <p>x 1</p>	 <p>C</p> <p>x 1</p>	 <p>D</p> <p>x 2</p>	 <p>E</p> <p>x 2</p>
---	---	---	---	---

1



2



3

B

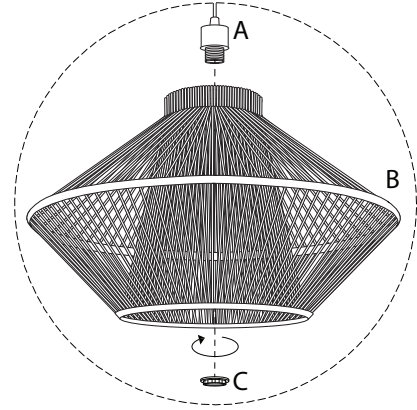
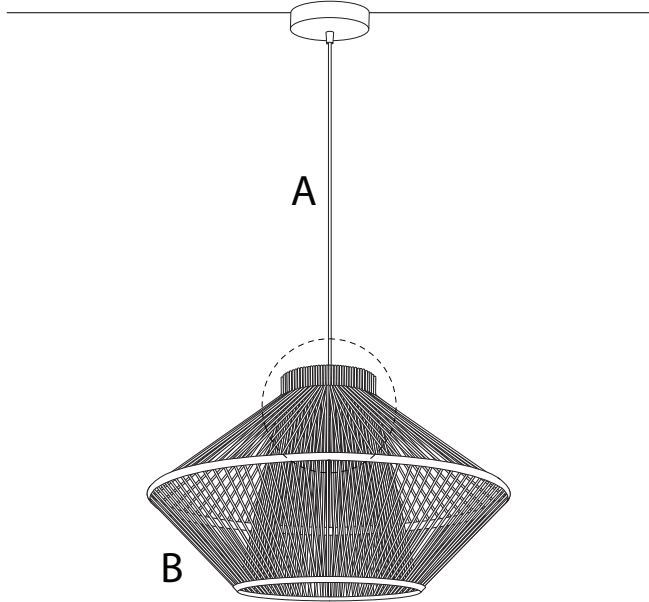


x 1

C



x 1



4



4/5

!

