

MARATEA





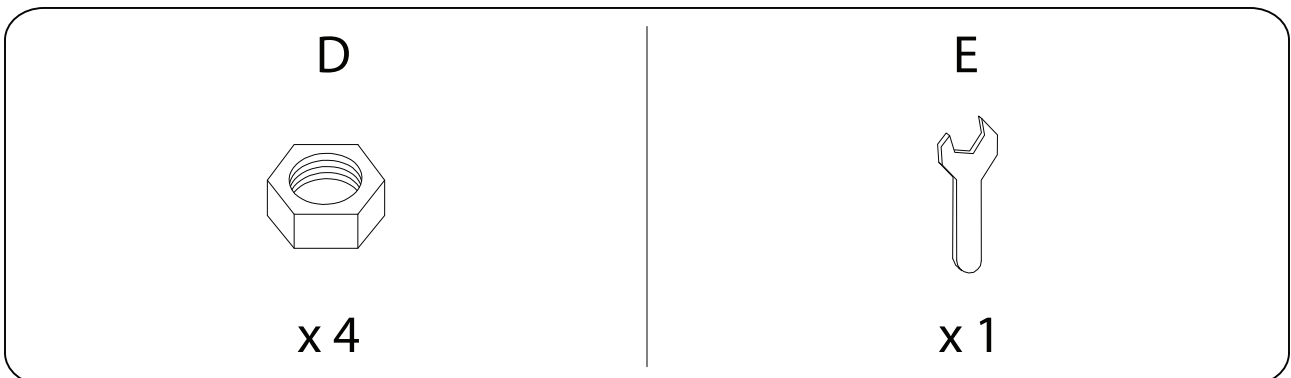
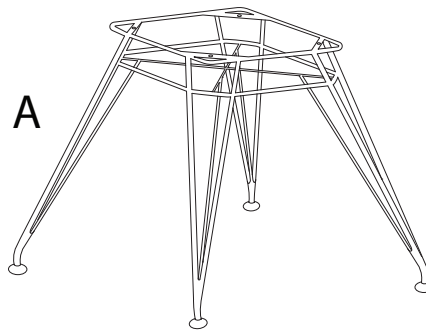
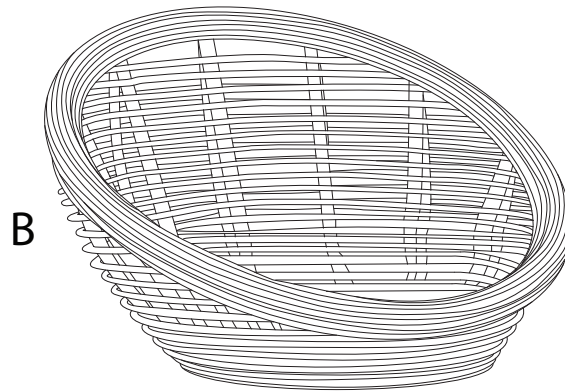
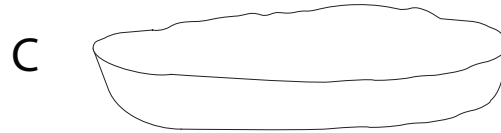
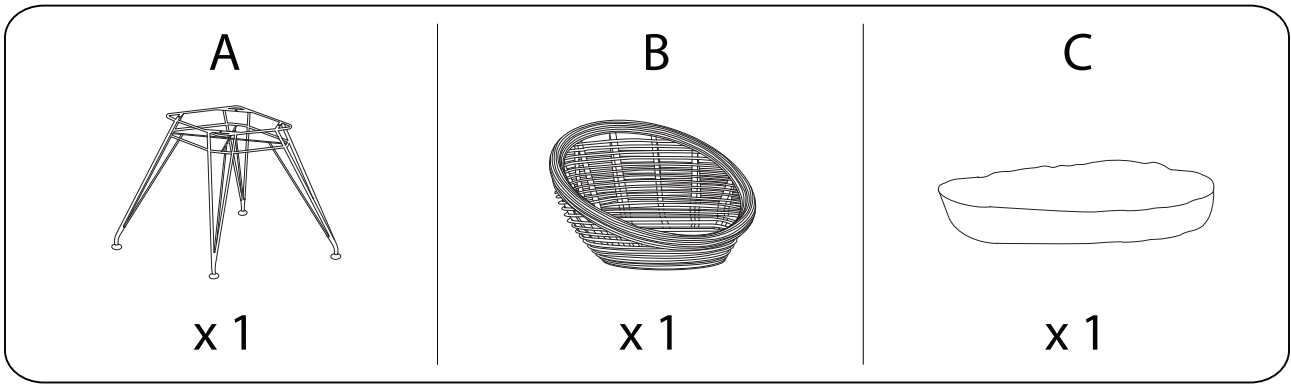
Assembly instructions for the chair, including tool requirements, estimated time, and person count.

Tools: A wrench is shown as a required tool, while a power drill is shown with a diagonal line through it, indicating it is not required.

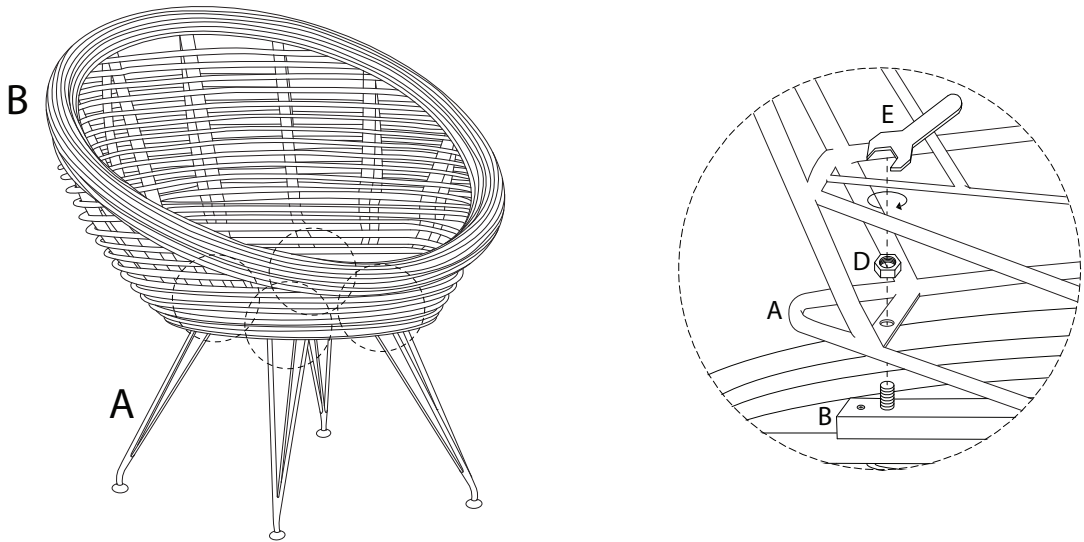
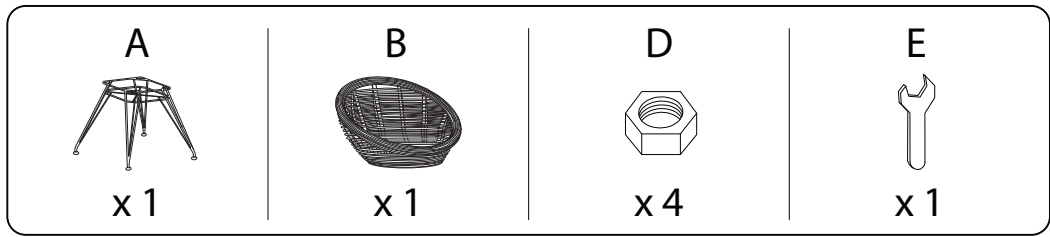
Warning: A warning triangle with an exclamation mark is present.

Time: A clock icon indicates an estimated assembly time of 15 minutes.

Personnel: A person icon indicates that 1 person is required for assembly.



1



2

