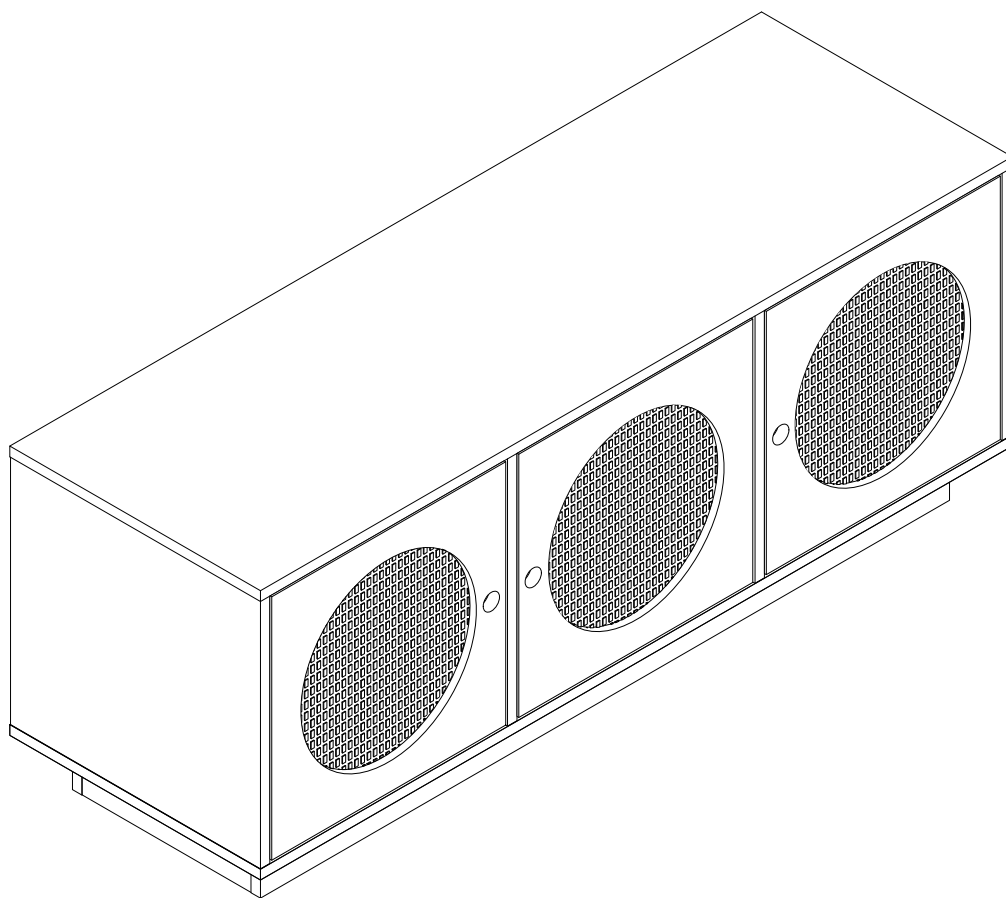
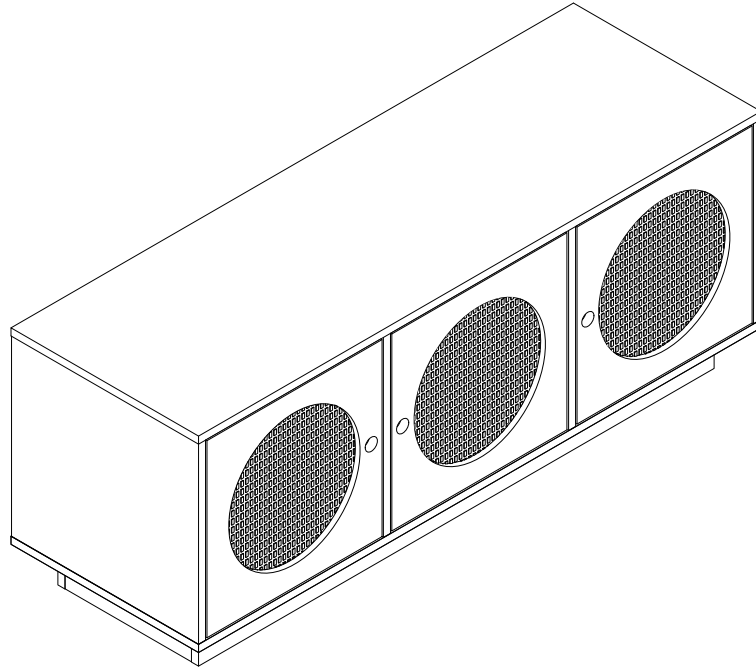


UYUNI





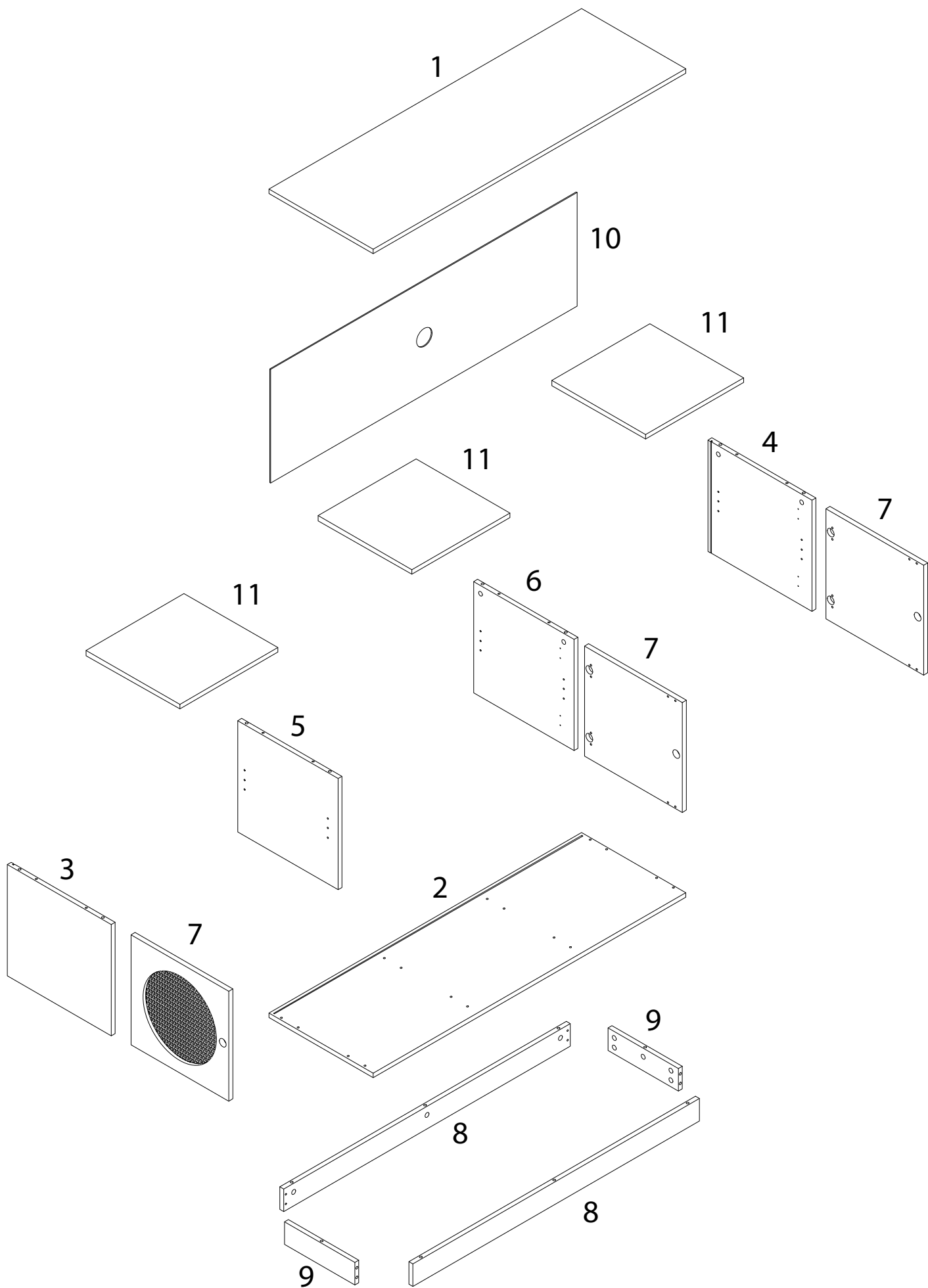
Assembly instructions for the cabinet, including tool requirements, time, and personnel.

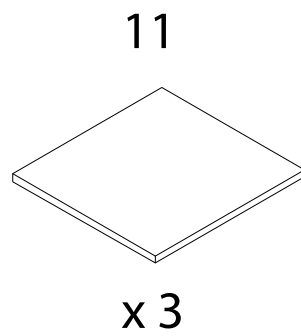
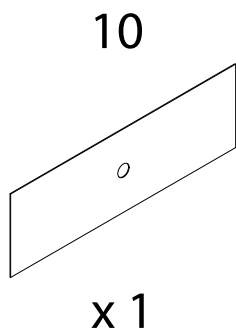
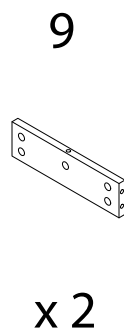
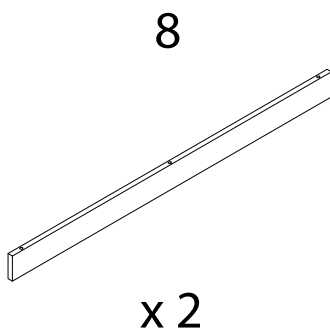
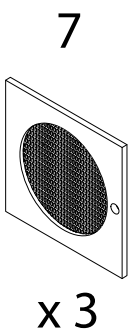
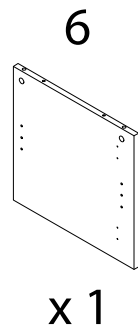
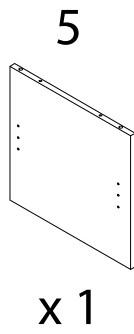
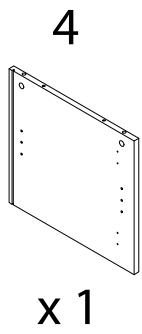
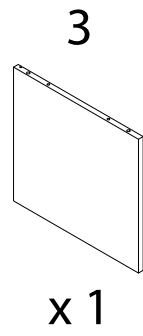
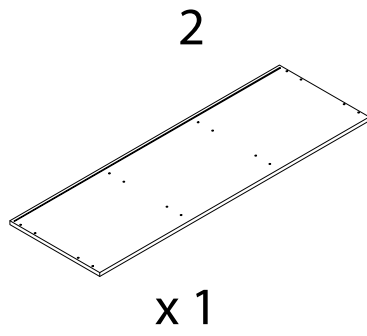
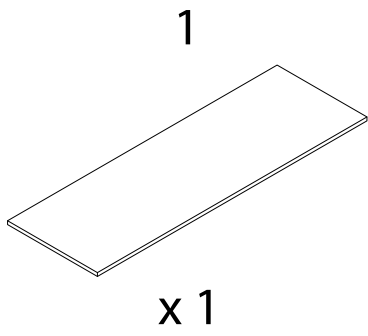
Tools: A screwdriver is shown as the required tool. A power drill is shown with a diagonal line through it, indicating it is not to be used.

Warnings: Two warning triangles with exclamation marks are present. The first is connected to the tool icons, and the second is connected to the material handling icon.

Time: A clock icon indicates an estimated assembly time of 60 minutes.

Personnel: An icon of a person indicates that 2 people are required for assembly.



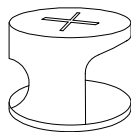


A



x 24

B



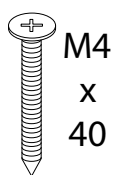
x 24

C



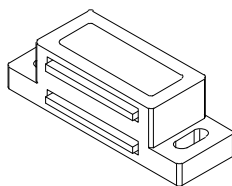
x 16

D



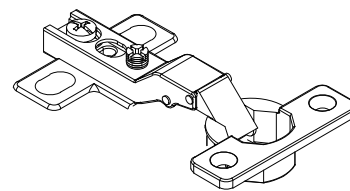
x 8

E



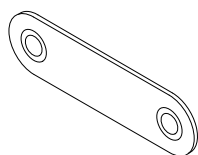
x 3

F



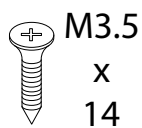
x 6

G



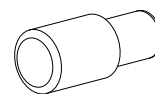
x 3

H



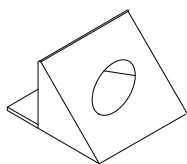
x 46

I



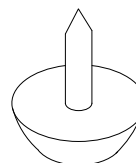
x 12

J



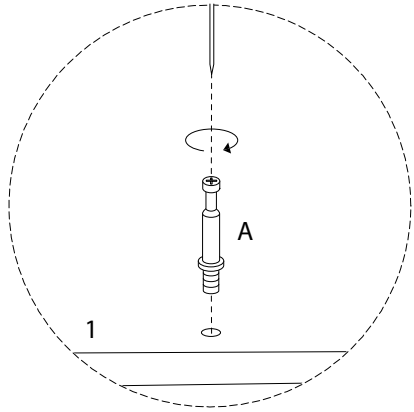
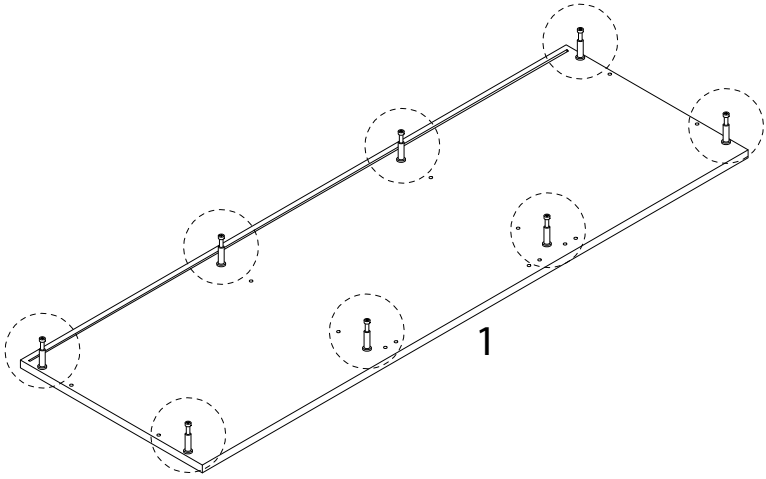
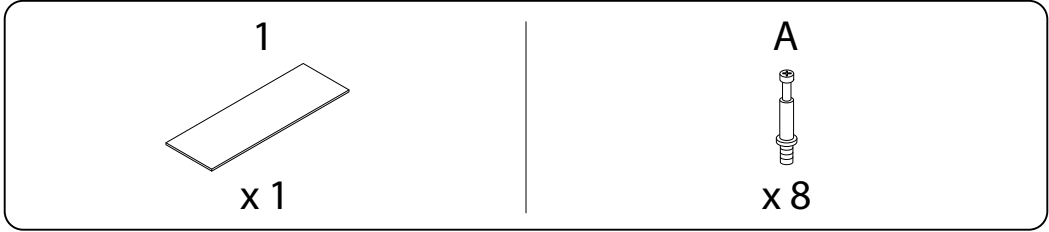
x 10

K

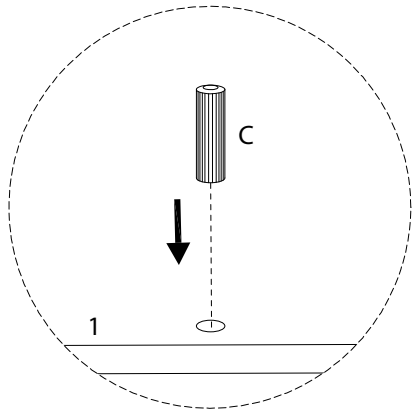
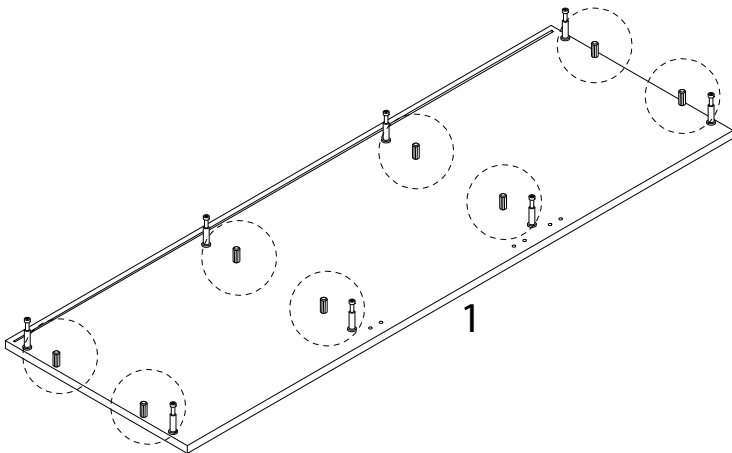
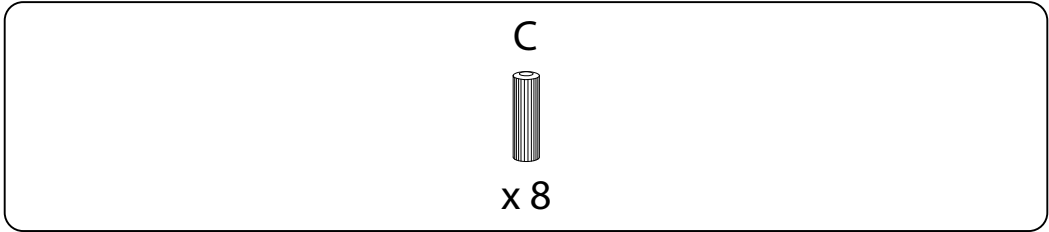


x 8

1

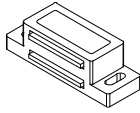


2



3

E

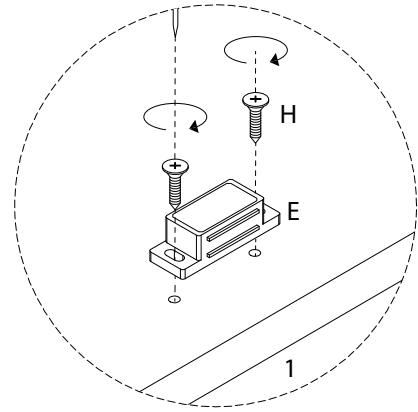
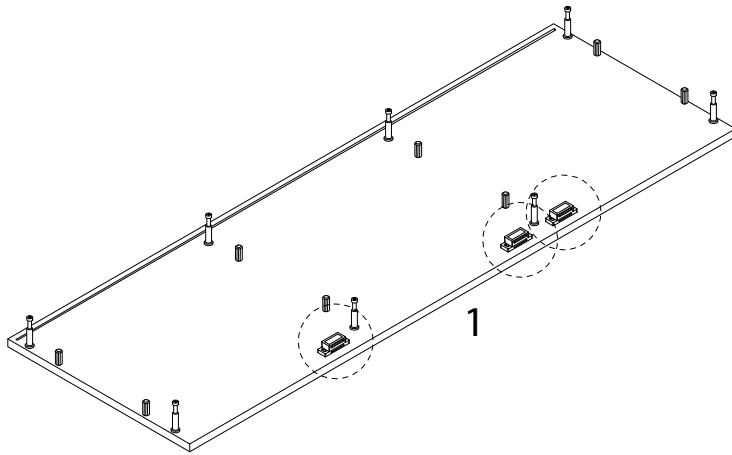


x 3

H

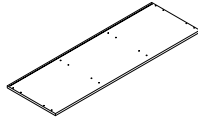


x 6



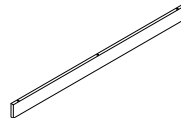
4

2



x 1

8

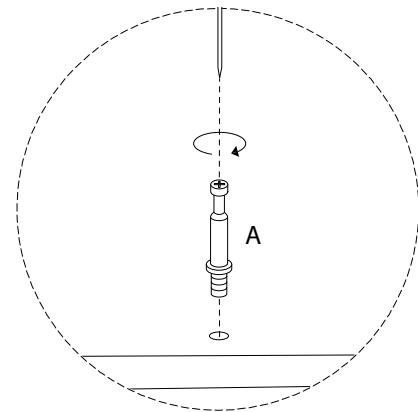
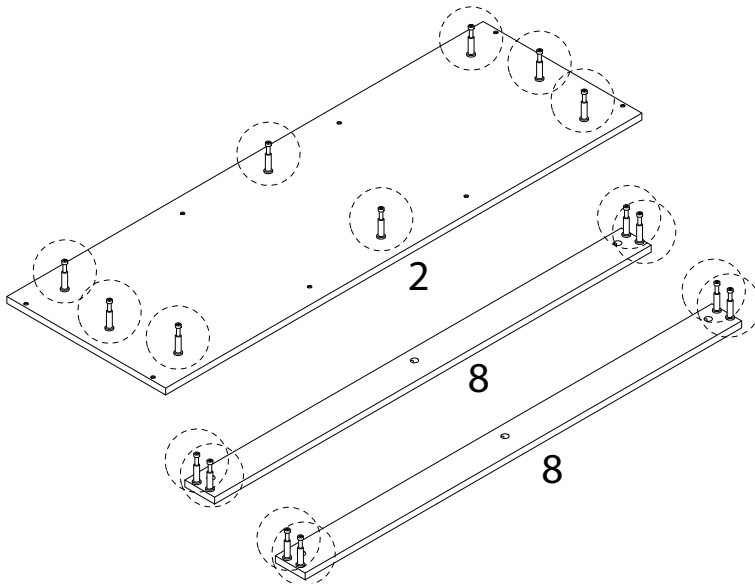


x 2

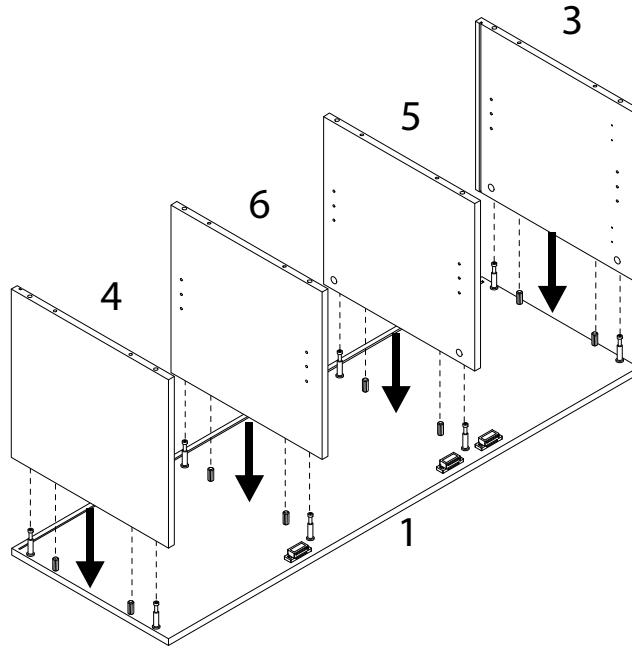
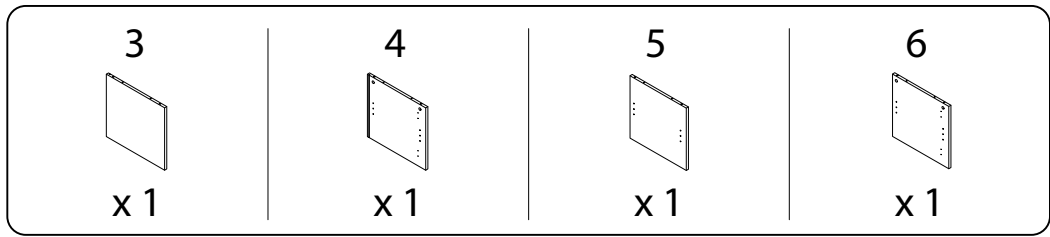
A



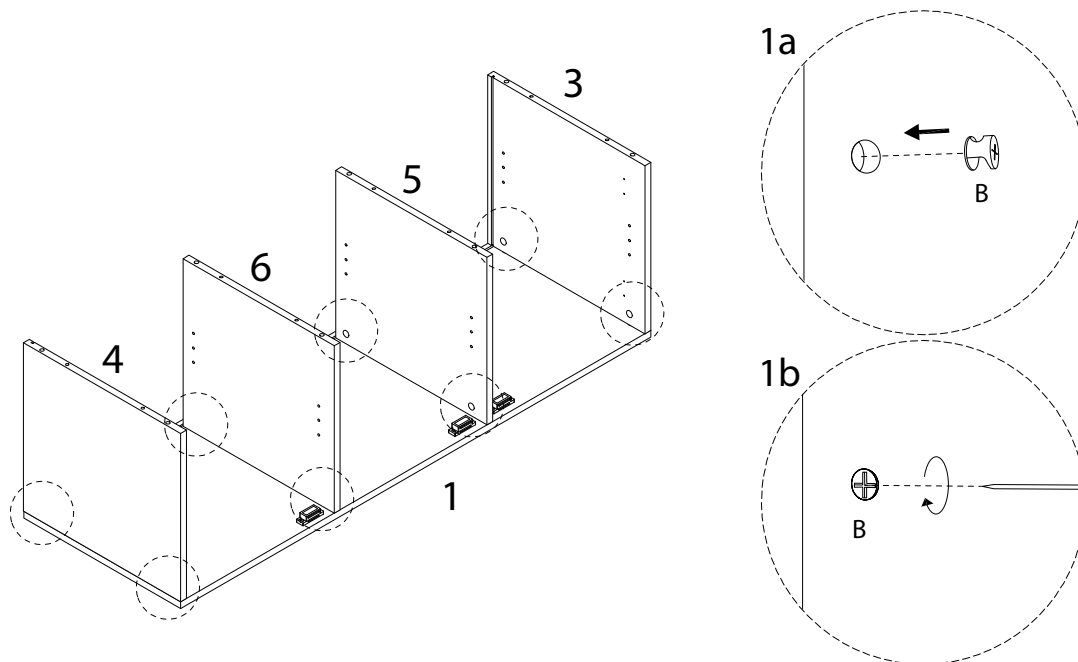
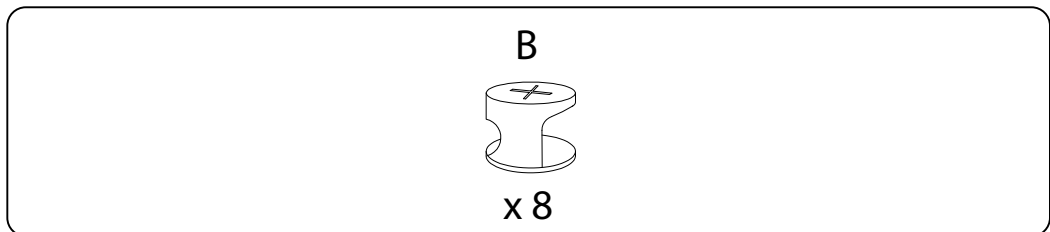
x 16



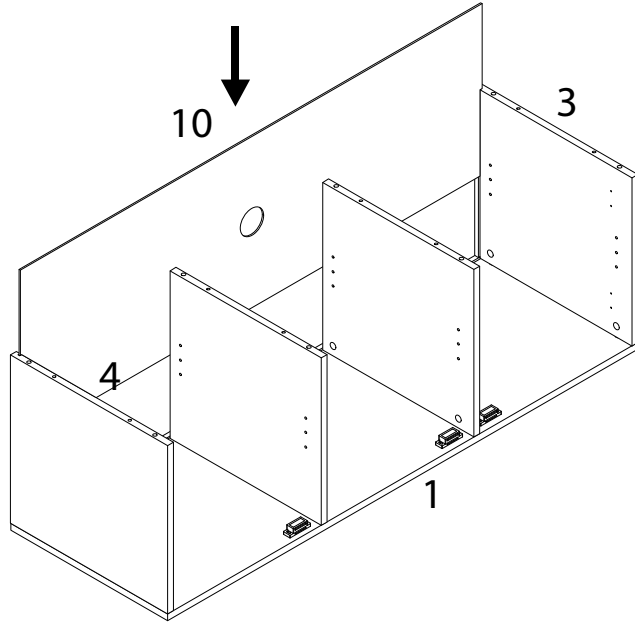
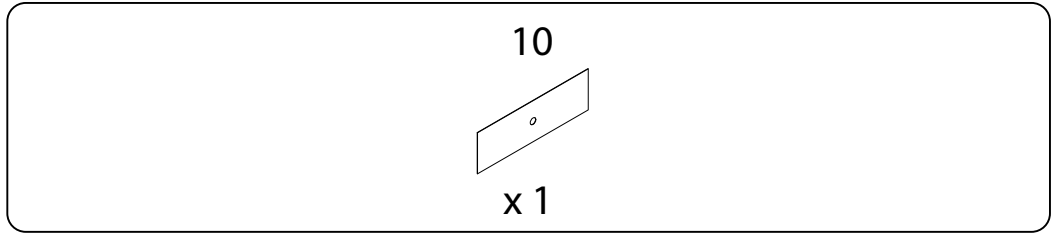
5



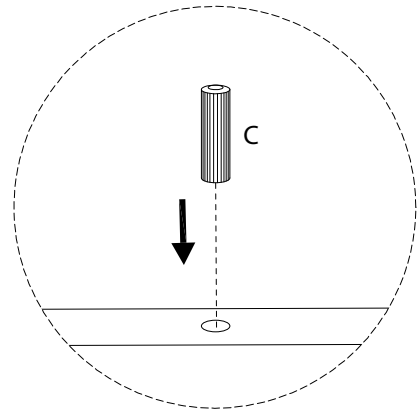
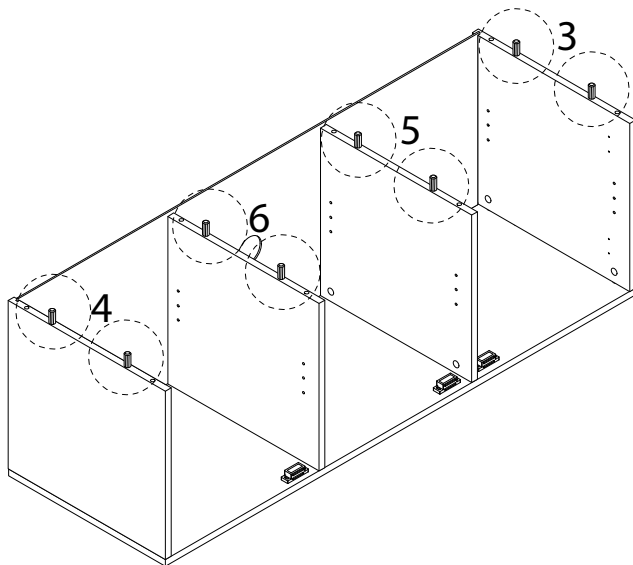
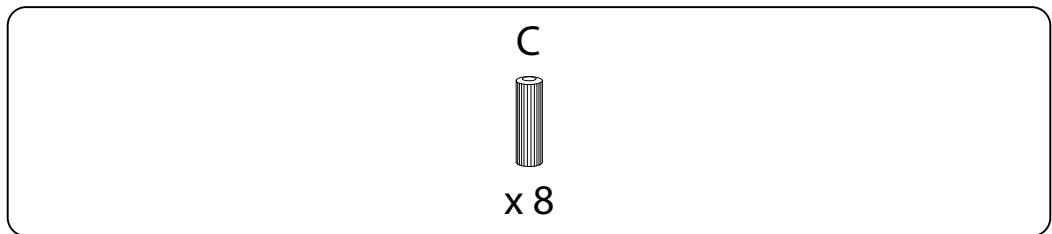
6



7

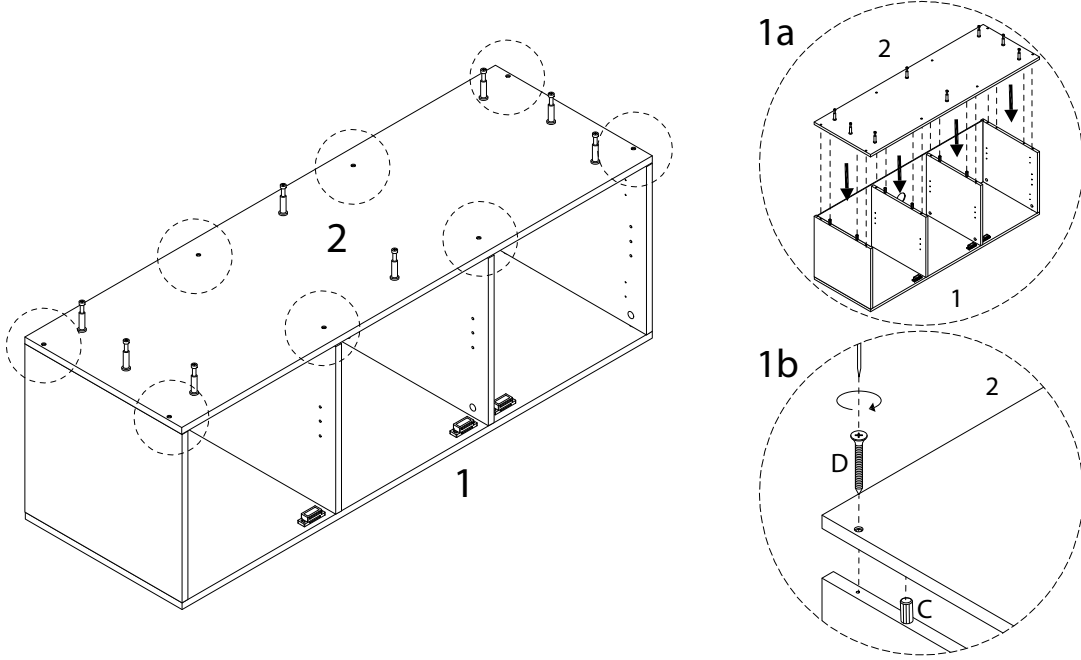


8



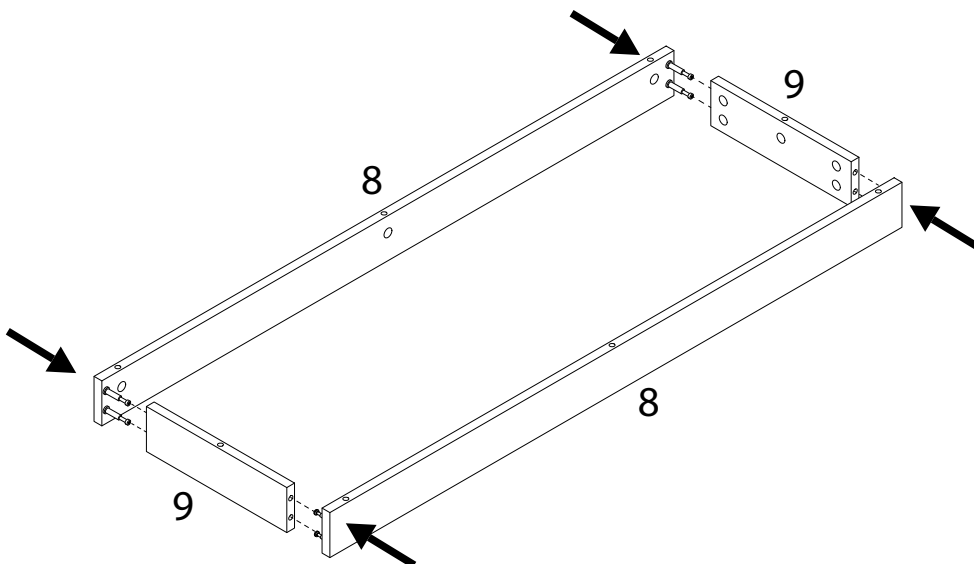
9

D
M4
x
40
x 8



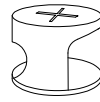
10

9
x 2

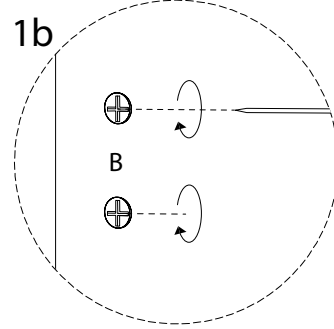
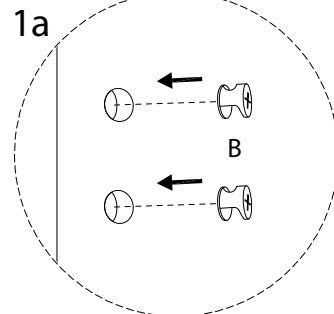
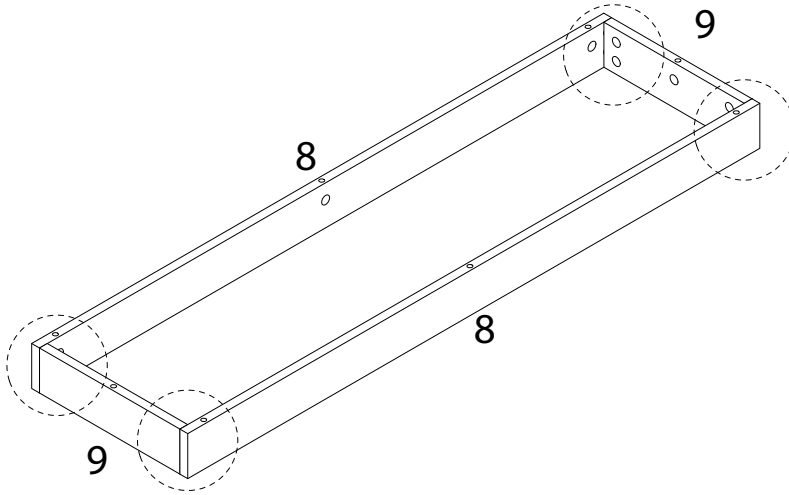


11

B

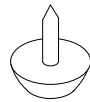


x 8

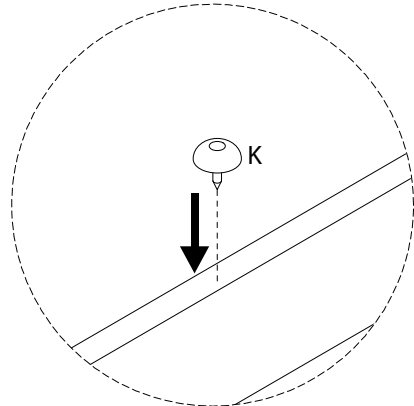
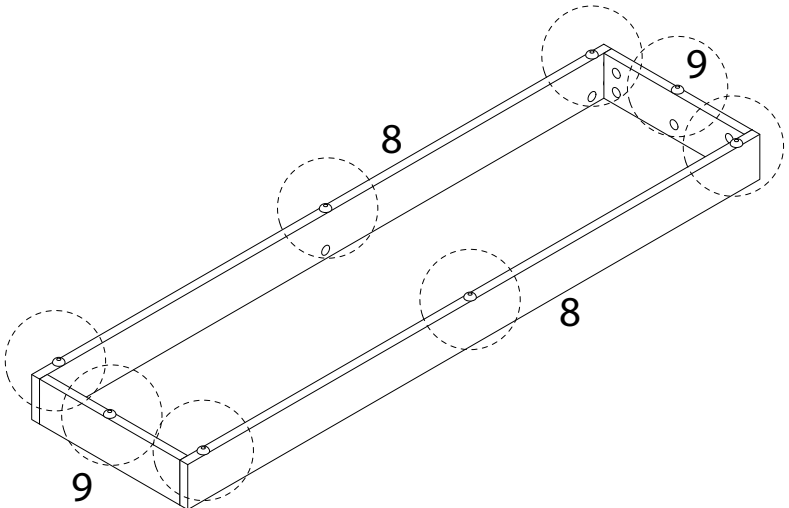


12

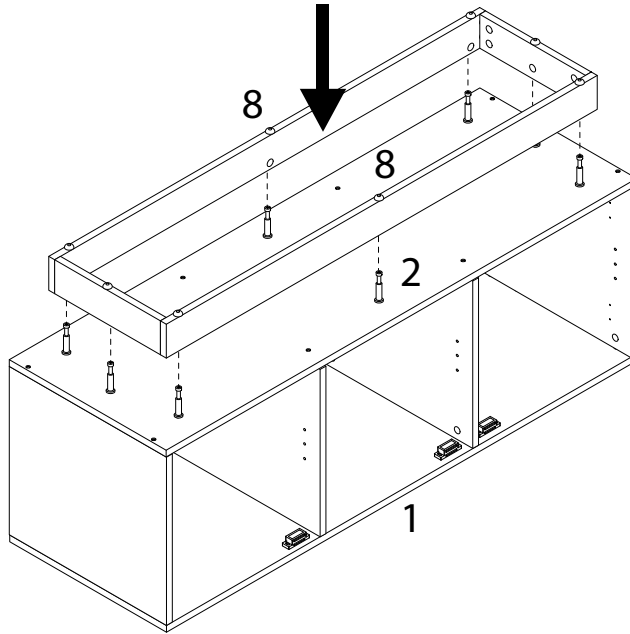
K



x 8

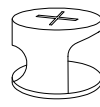


13

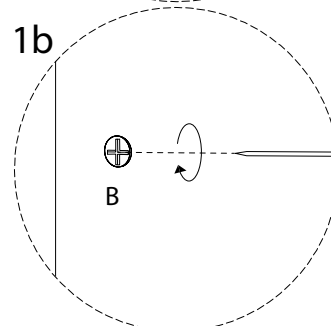
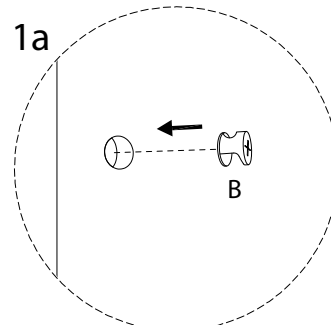
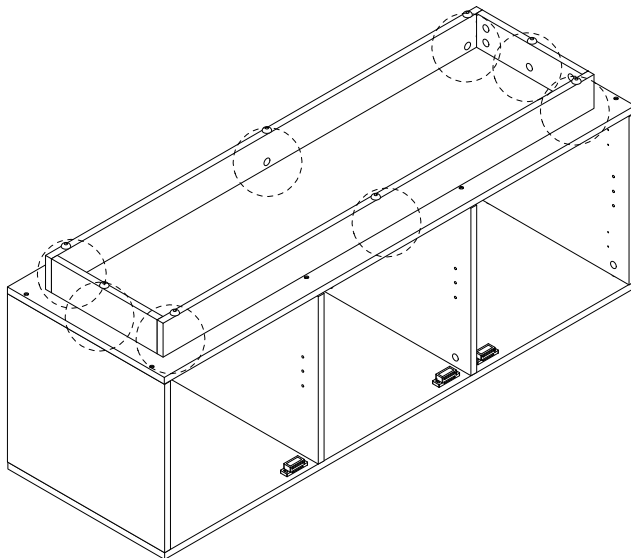


14

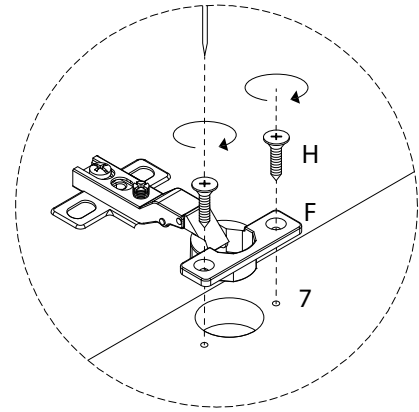
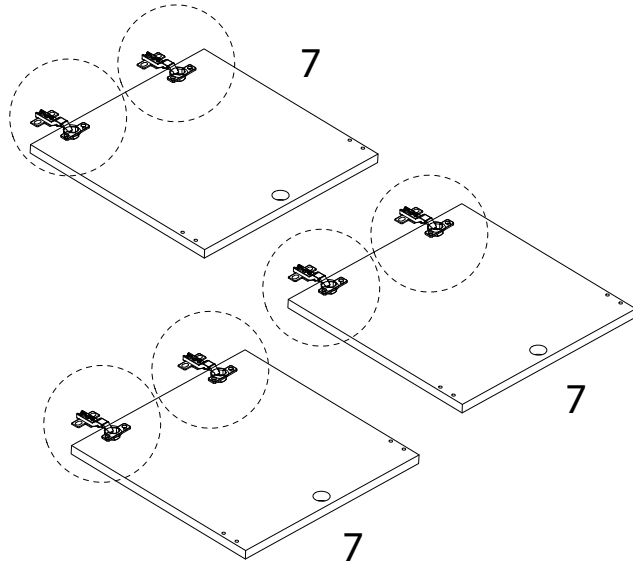
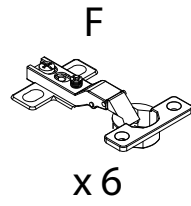
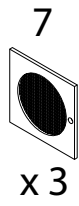
B



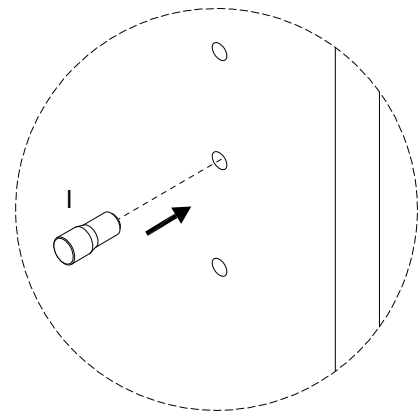
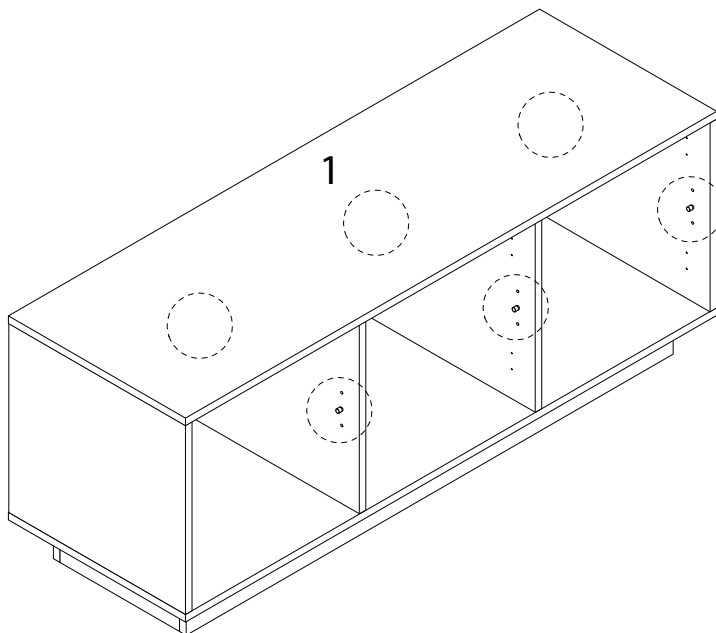
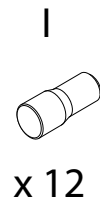
x 8



15

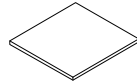


16

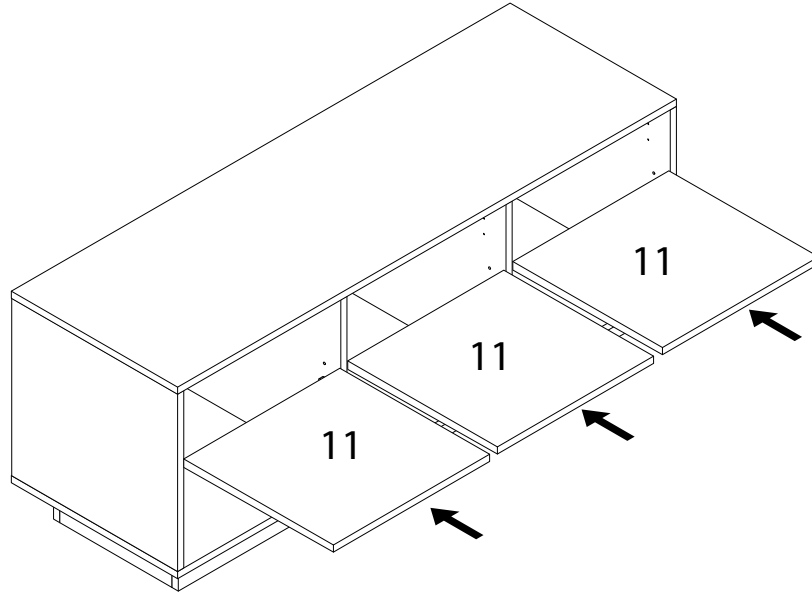


17

11



x 3



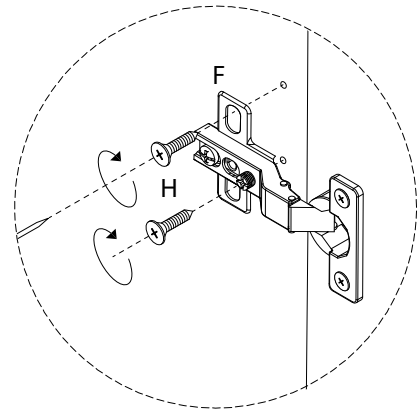
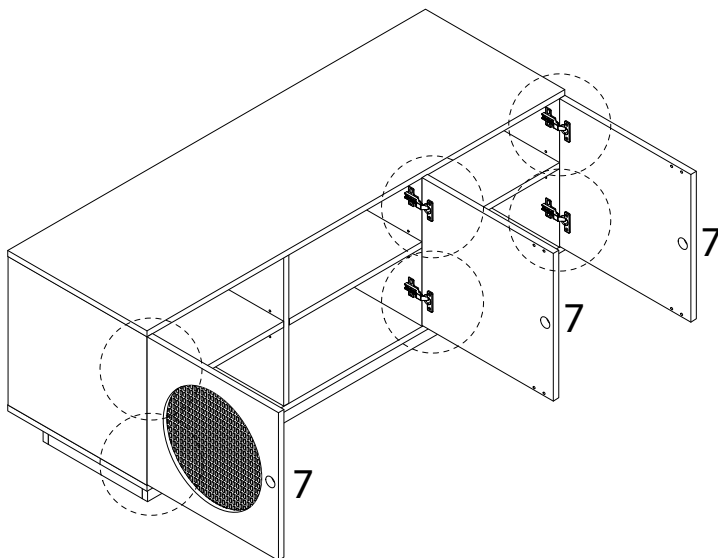
18

H

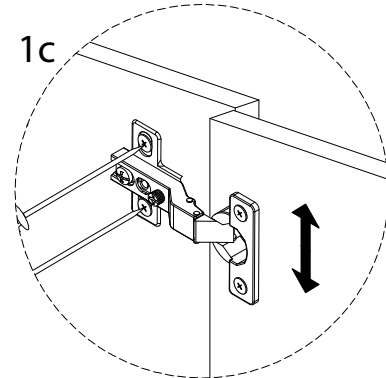
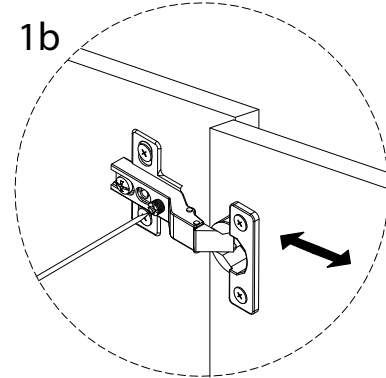
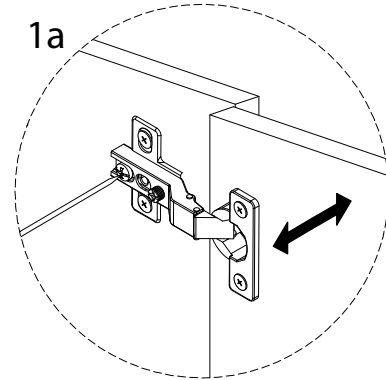
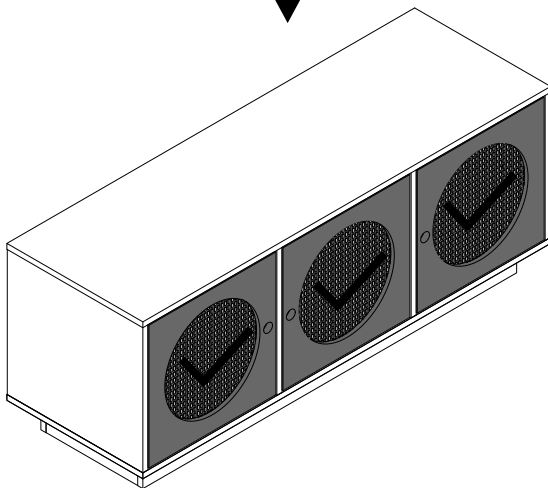
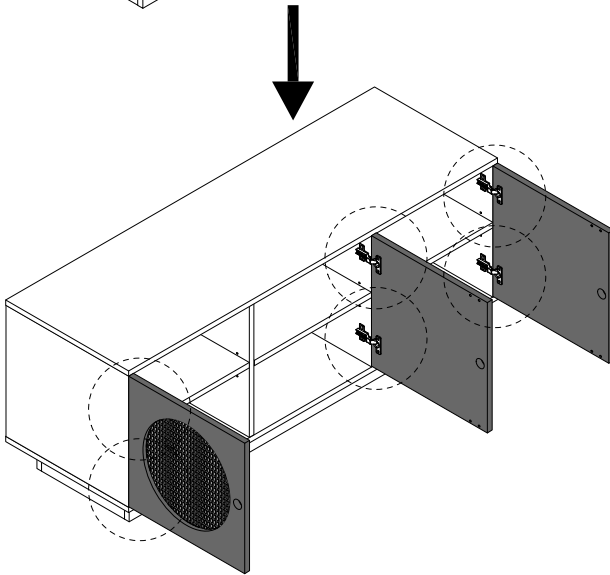
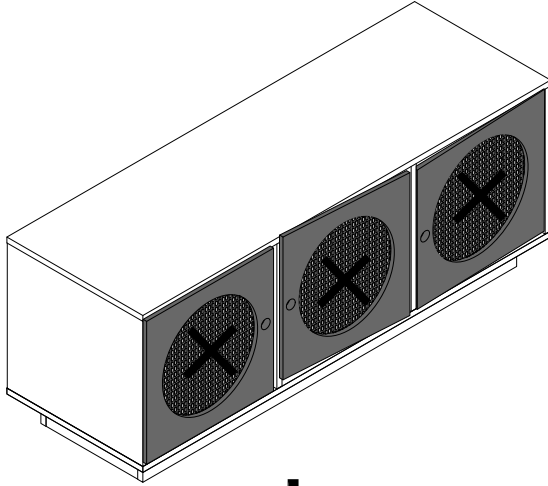


x 14

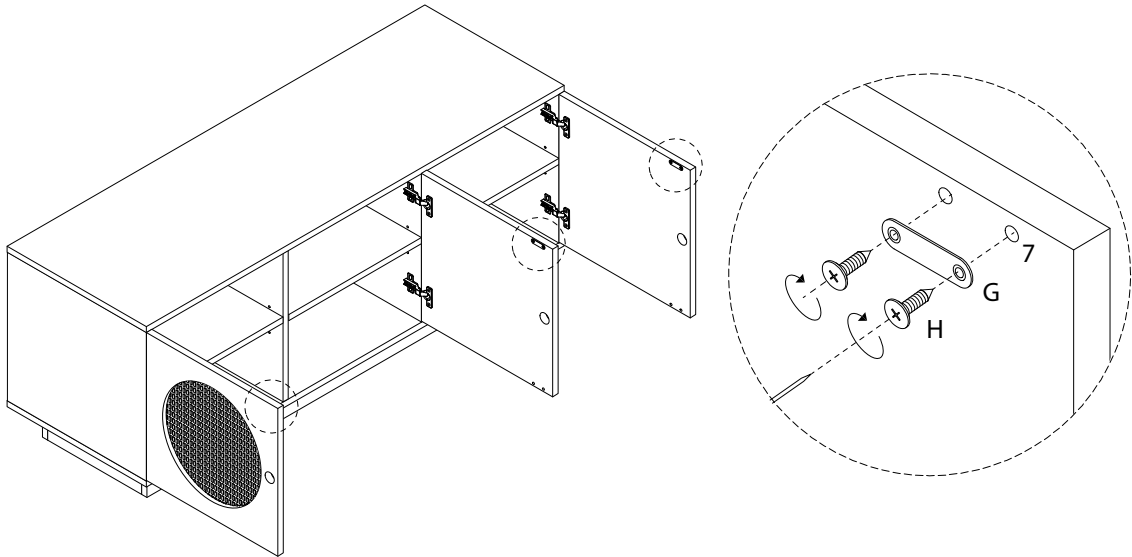
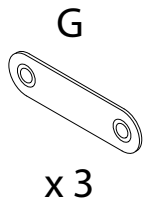
x 12



!



19



20

