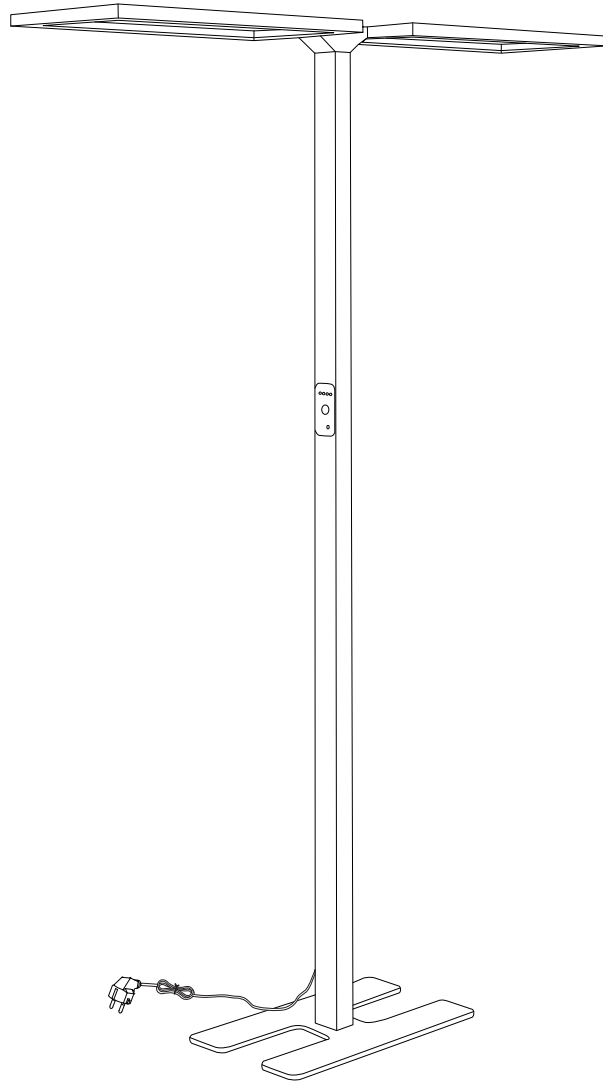
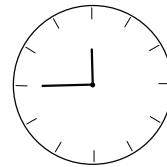
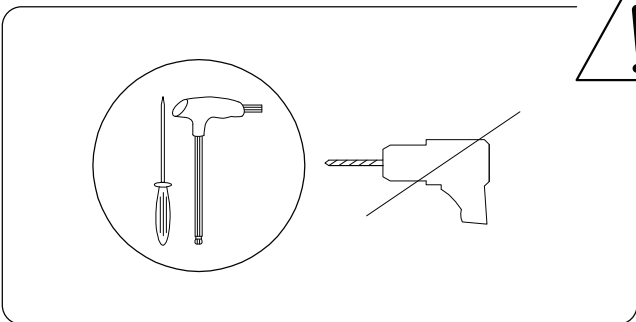
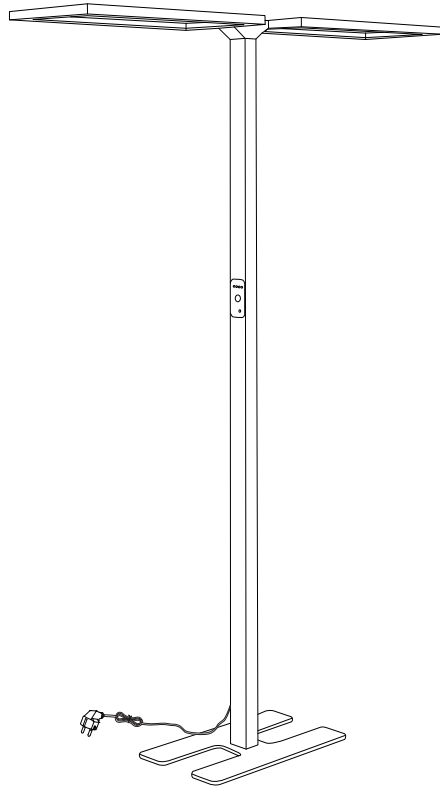
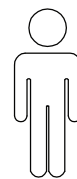
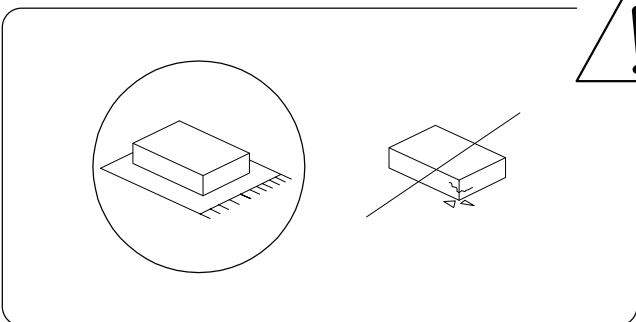


SCULPTOR





45'

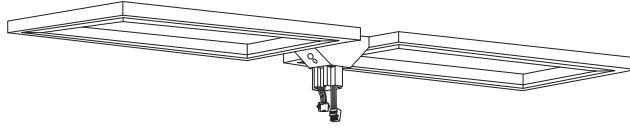


2

4



1



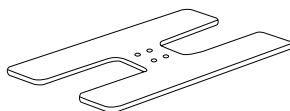
2



5



3



1



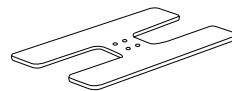
x 1

2



x 1

3



x 1

4



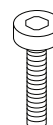
x 1

5



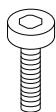
x 1

A



x 4

B



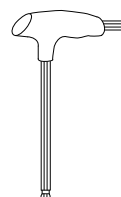
x 4

C



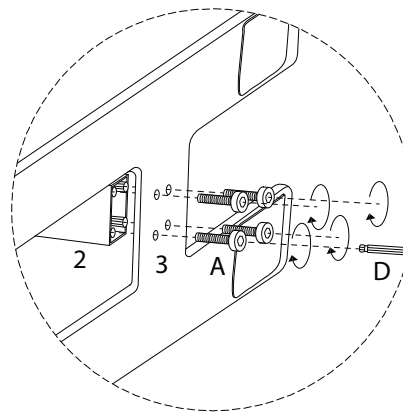
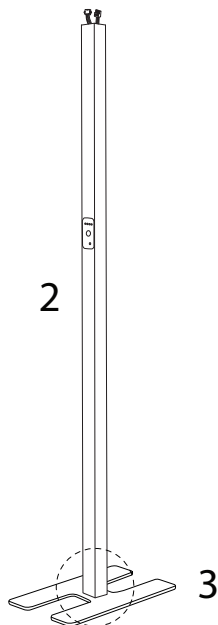
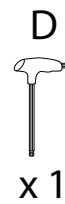
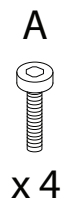
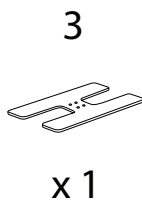
x 1

D

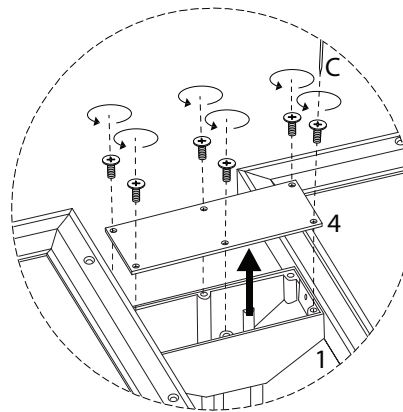
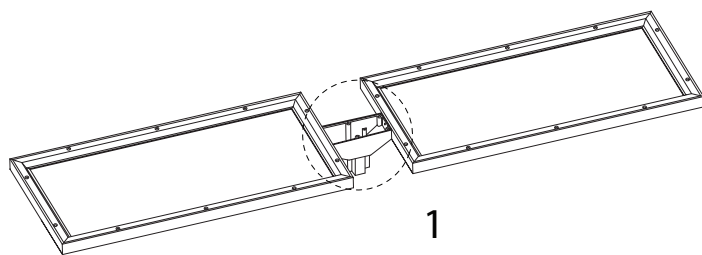
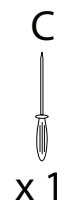
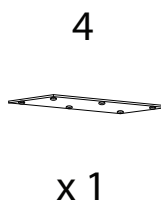
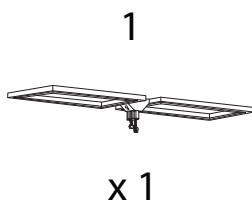


x 1

1



2



3

B



x 4

C

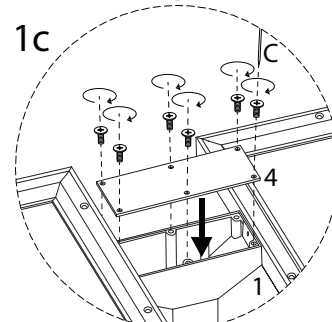
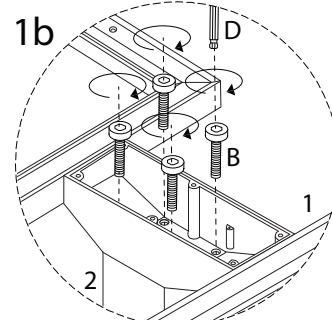
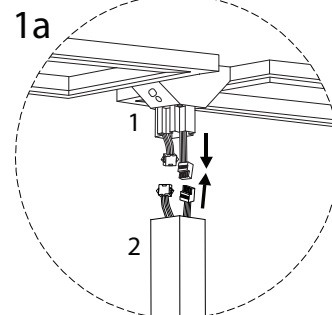
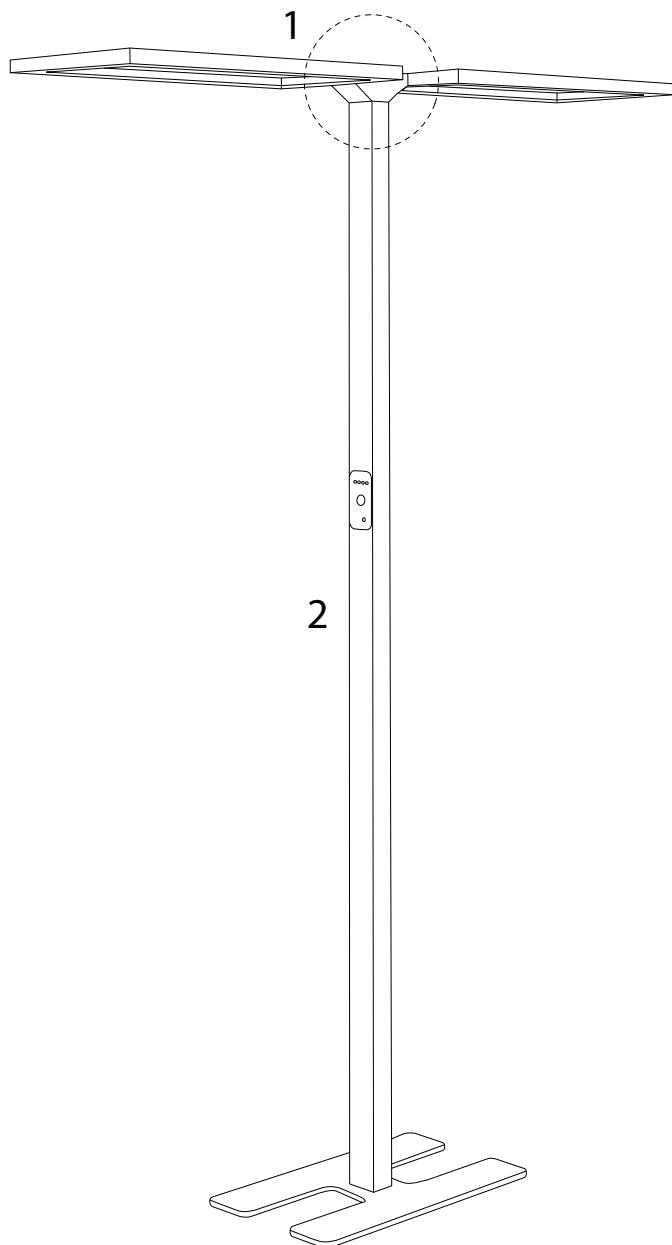


x 1

D



x 1



4

