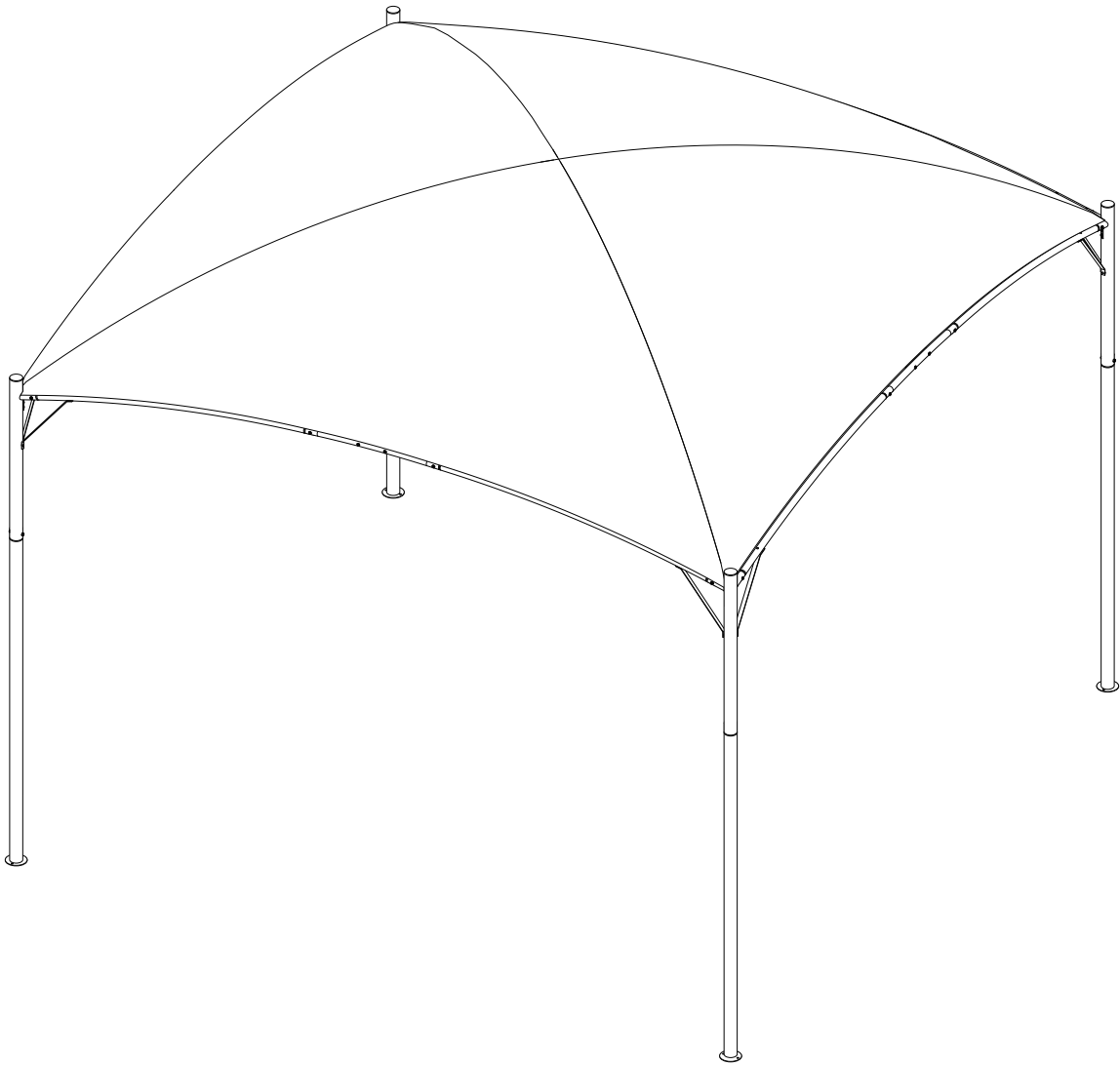
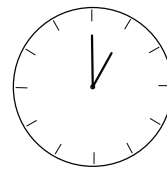
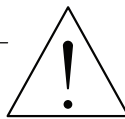
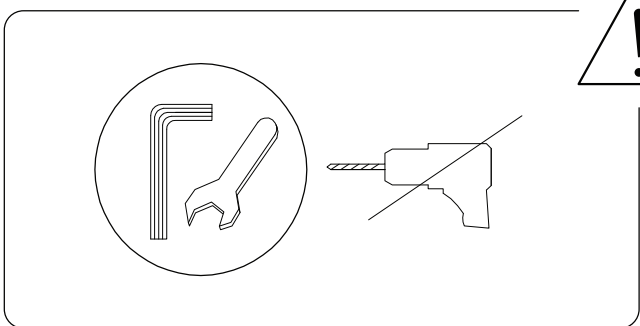
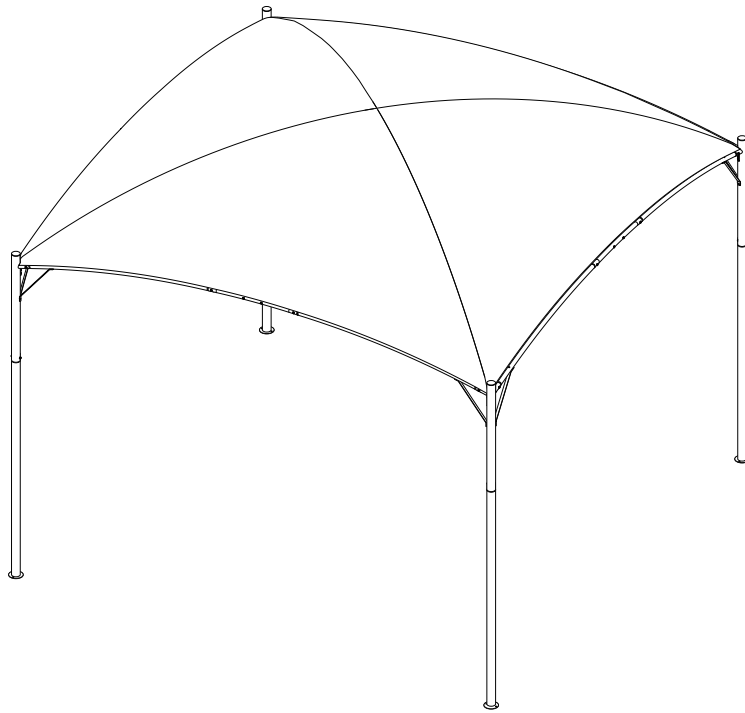
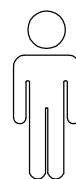
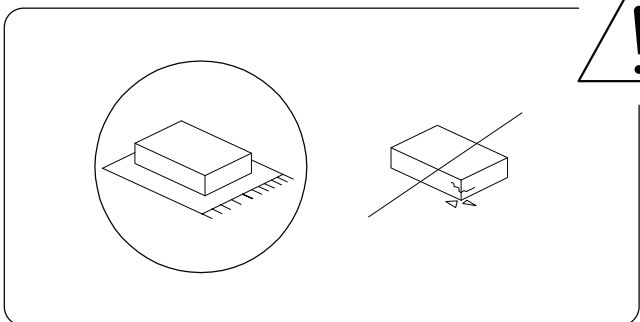


VOMERO

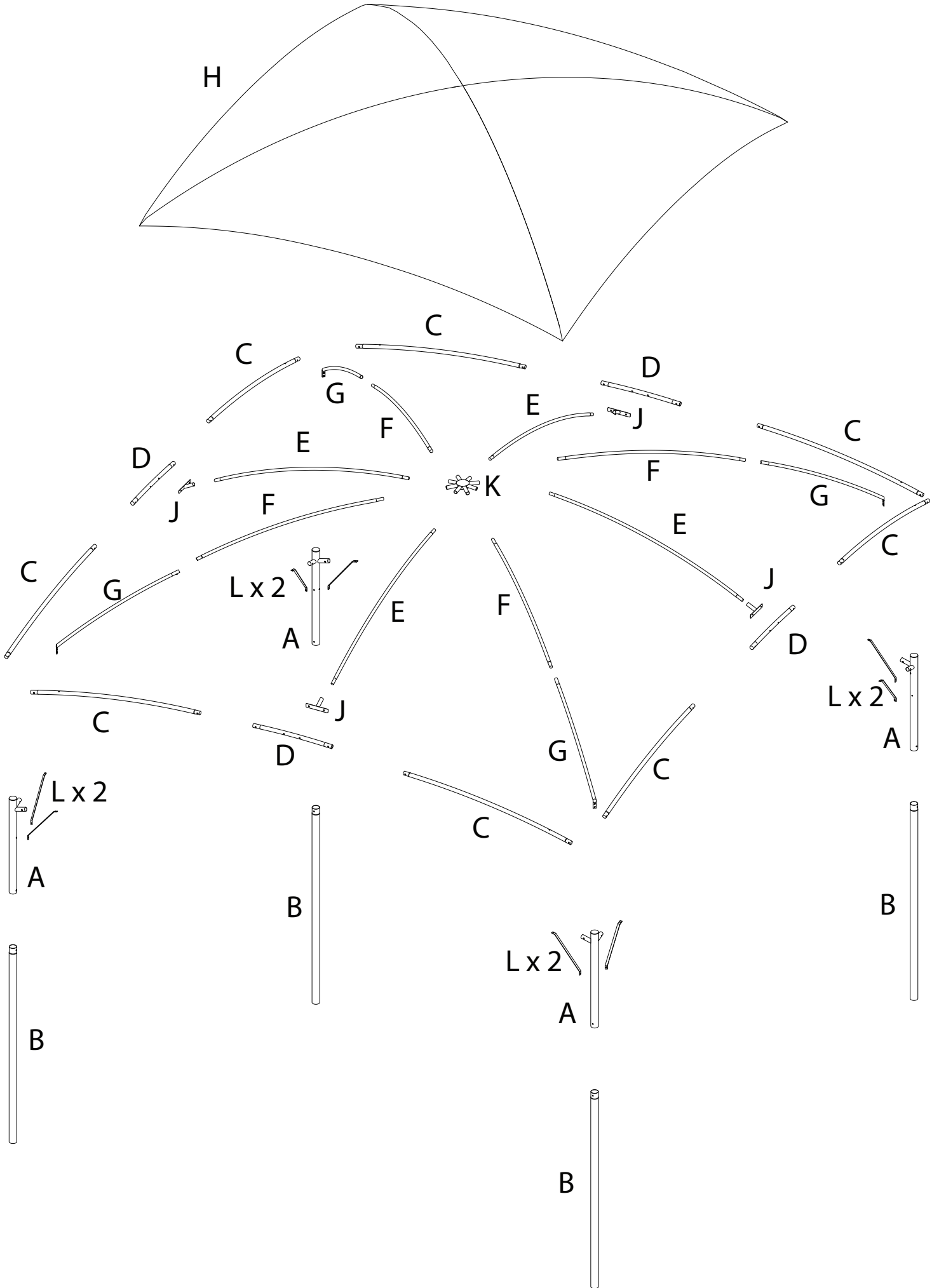




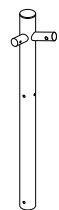
60'



3



A



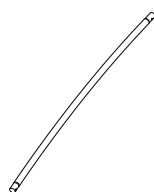
x 4

B



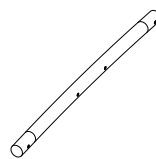
x 4

C



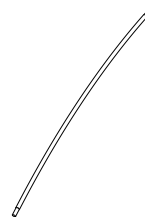
x 8

D



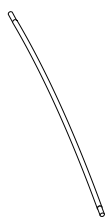
x 4

E



x 4

F



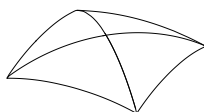
x 4

G



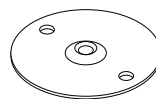
x 4

H



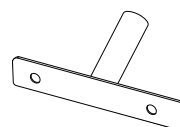
x 1

I



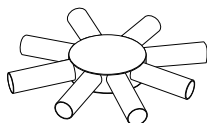
x 4

J



x 4

K



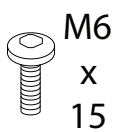
x 1

L



x 8

M



M6
x
15

x 20

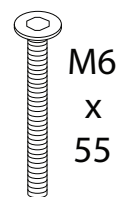
N



M6
x
30

x 16

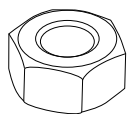
O



M6
x
55

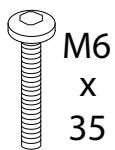
x 4

P



x 36

Q



M6
x
35

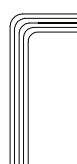
x 16

R



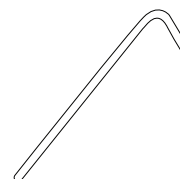
x 8

S



x 1

T






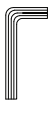
x 8

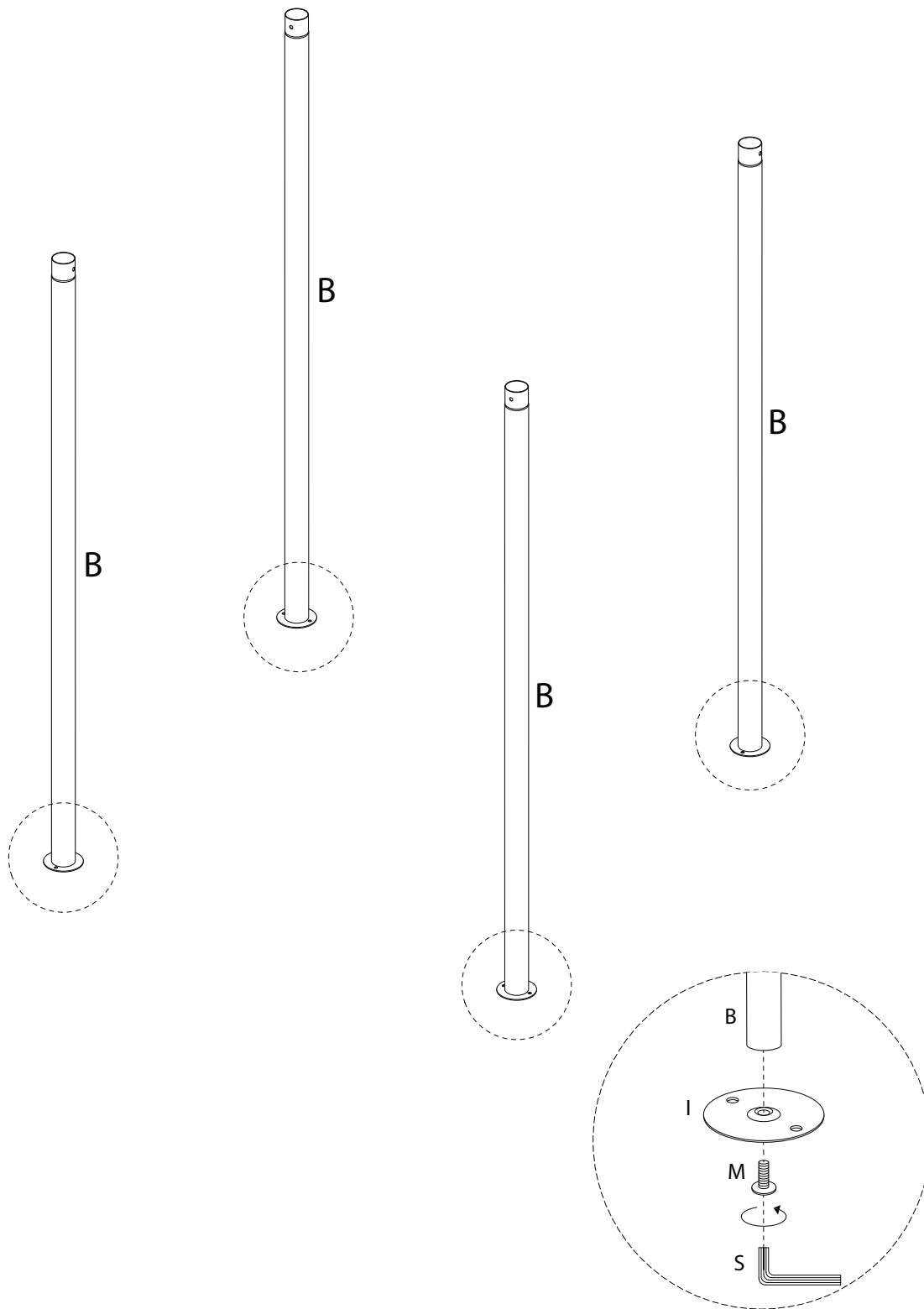
U




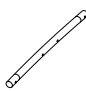
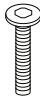

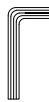

x 1

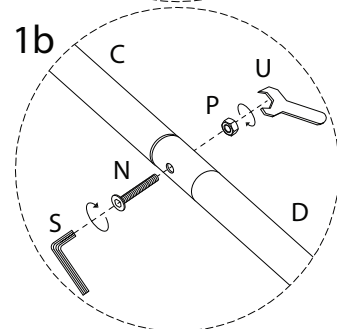
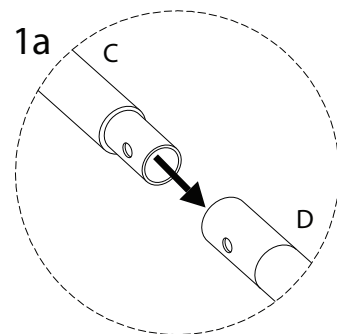
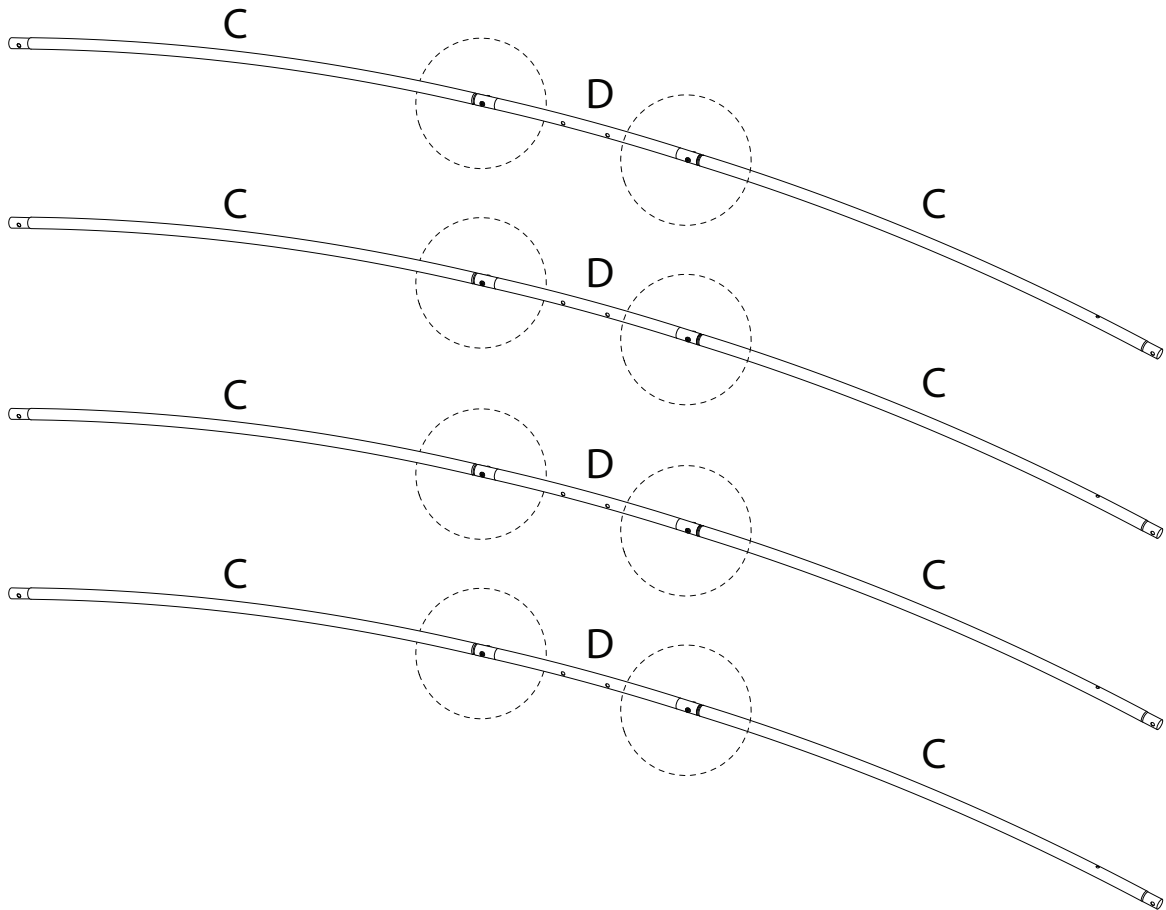
1

B  x 4	I  x 4	M  M6 x 15 x 4	S  x 1
--	--	--	--

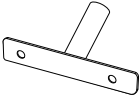

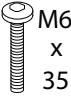
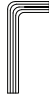



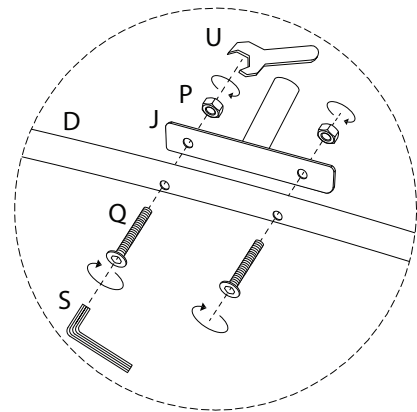
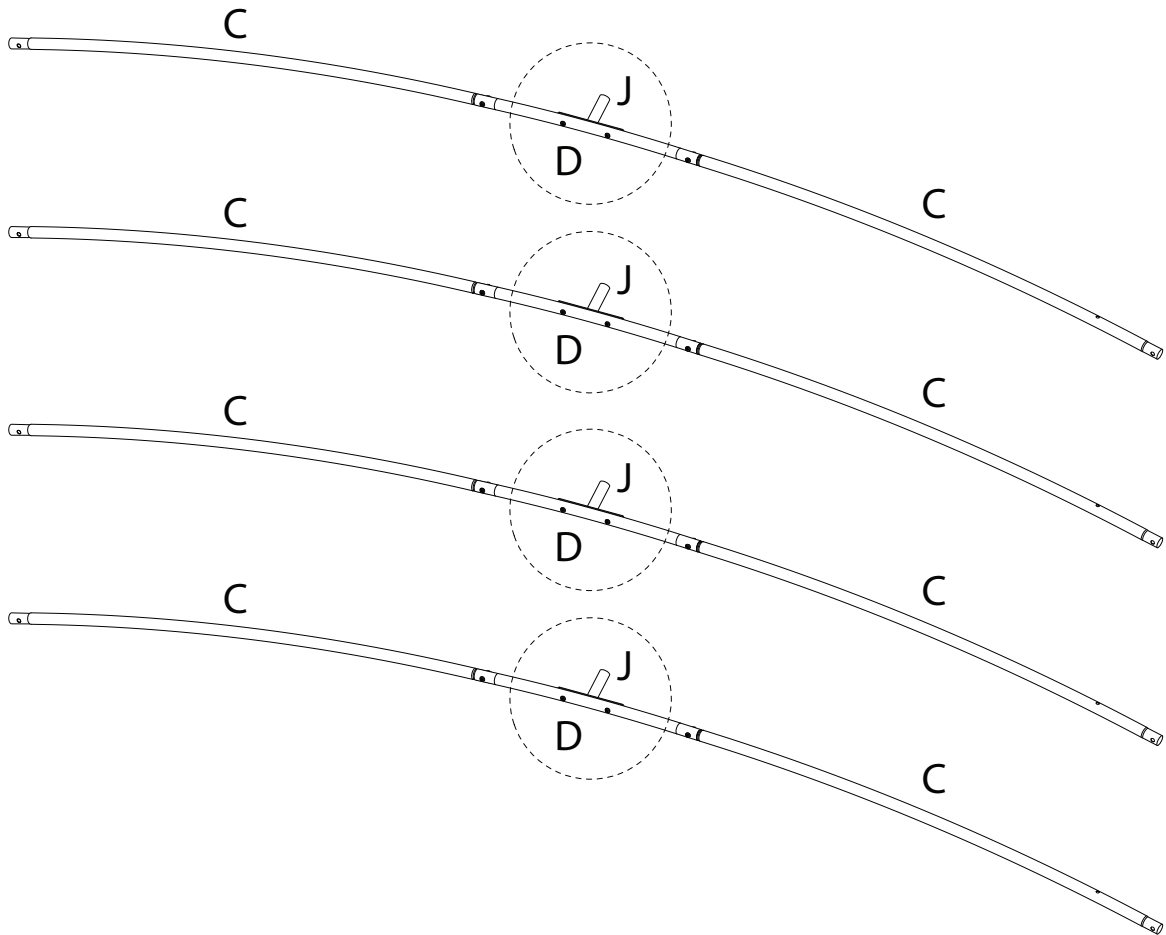
2

C  x 8	D  x 4	N  M6 x 30 x 8	P  x 8	S  x 1	U  x 1
--	--	---	---	--	--


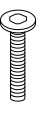

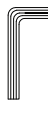



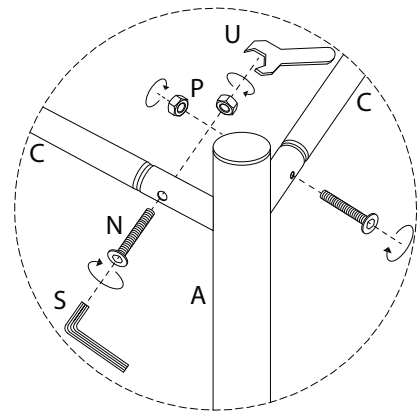
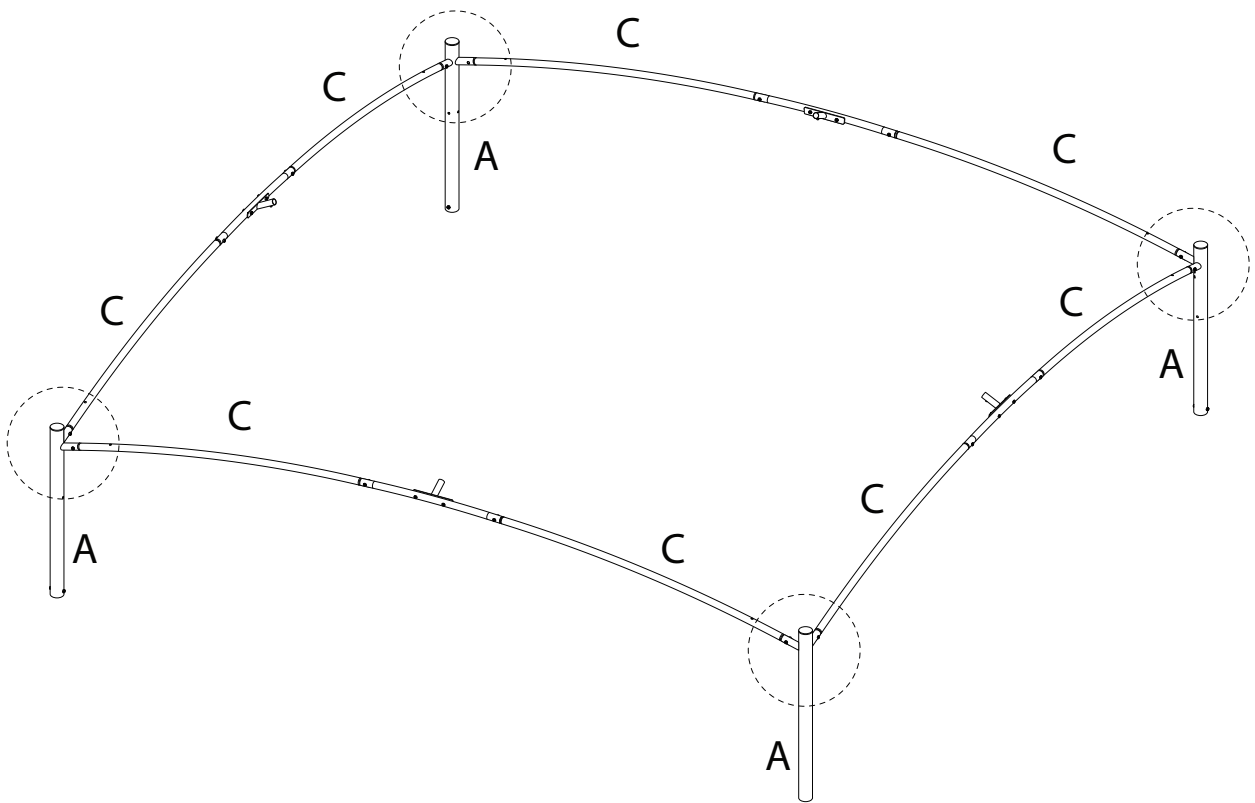
3

 x4	 x8	 x8	 x1	 x1
---	---	---	---	---






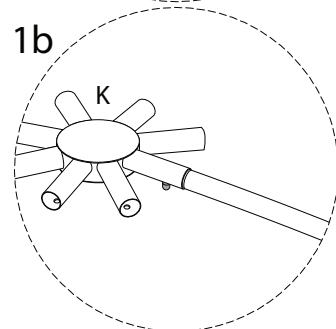
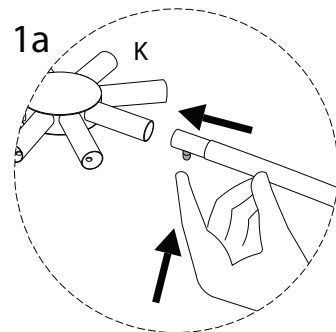
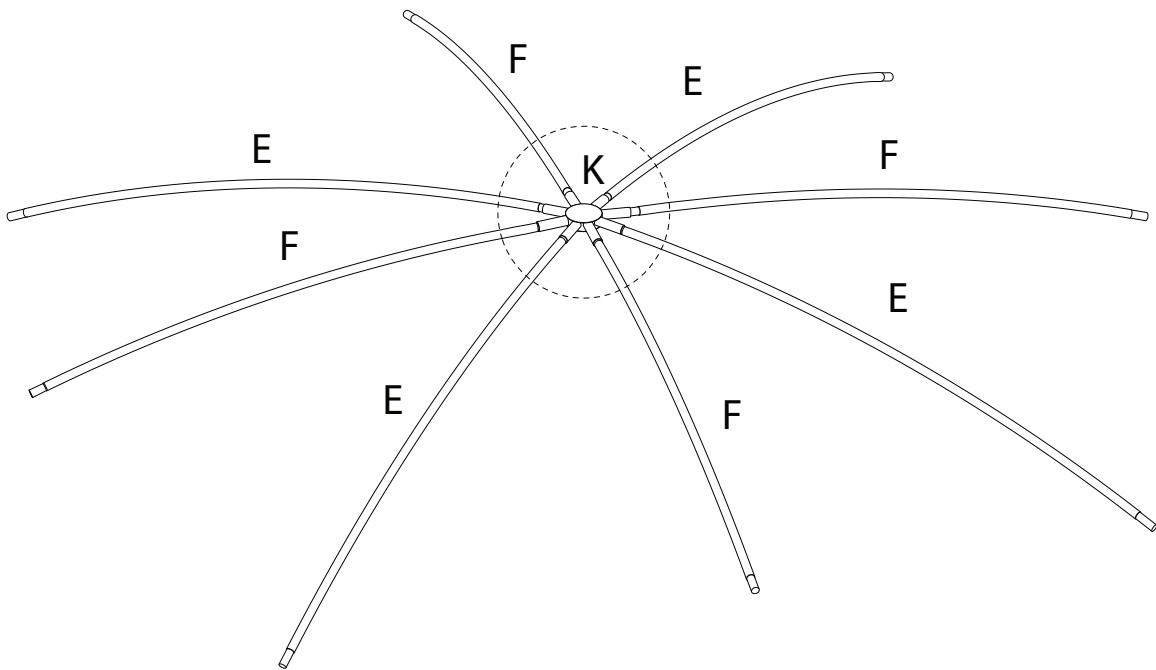
4

A  x 4	N  M6 x 30 x 8	P  x 8	S  x 1	U  x 1
--	---	--	--	--

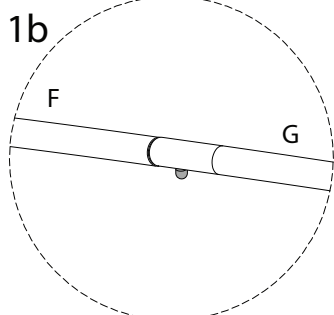
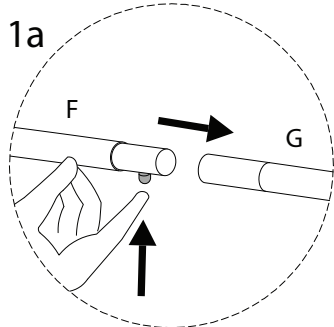
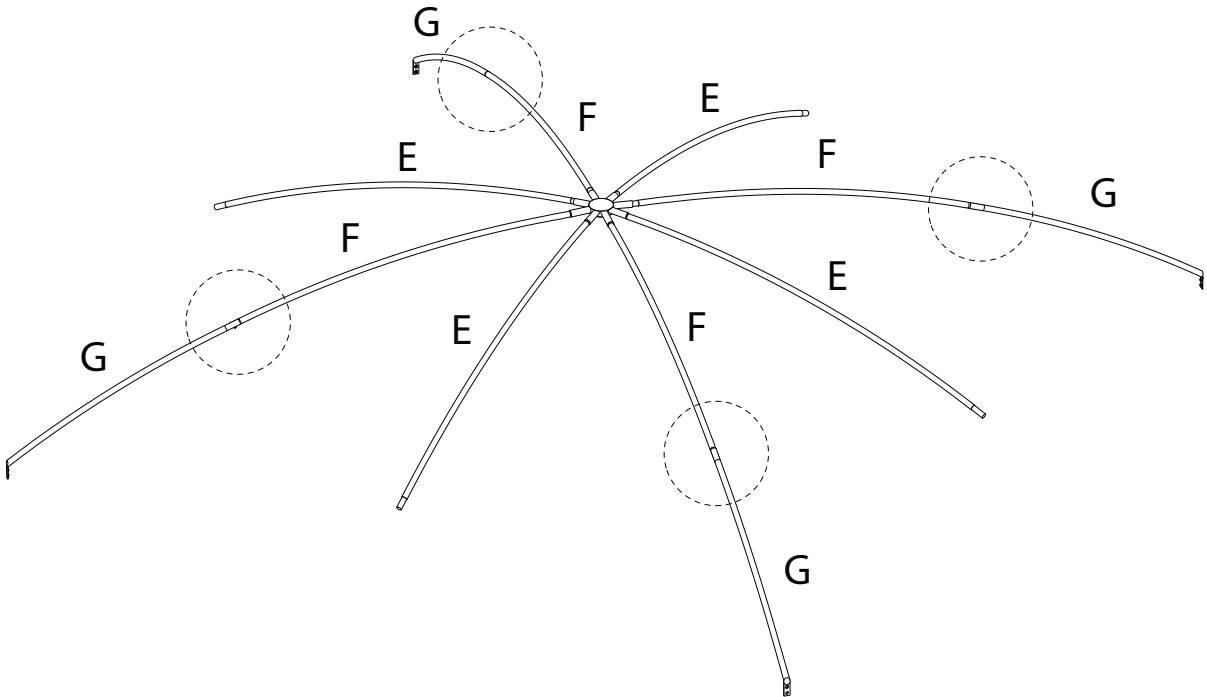
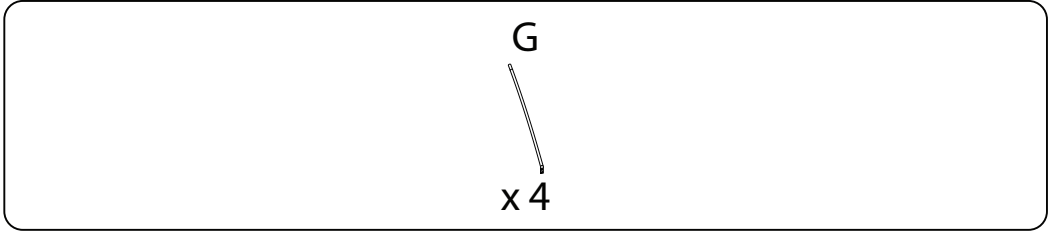


5

E  x4	F  x4	K  x1
--	--	--



6



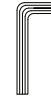
7

M

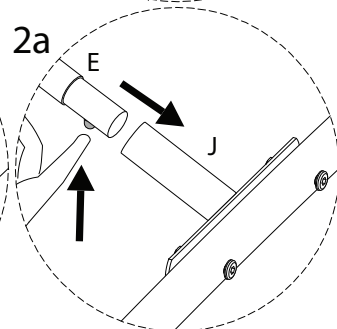
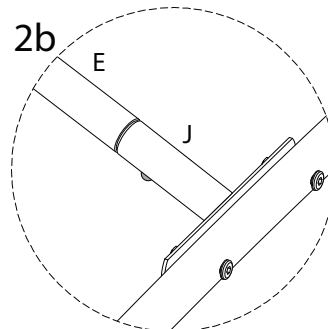
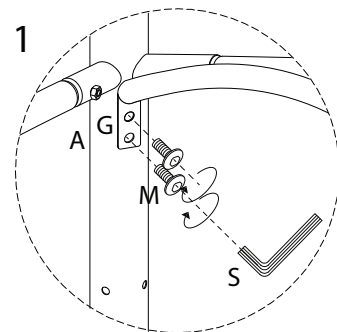
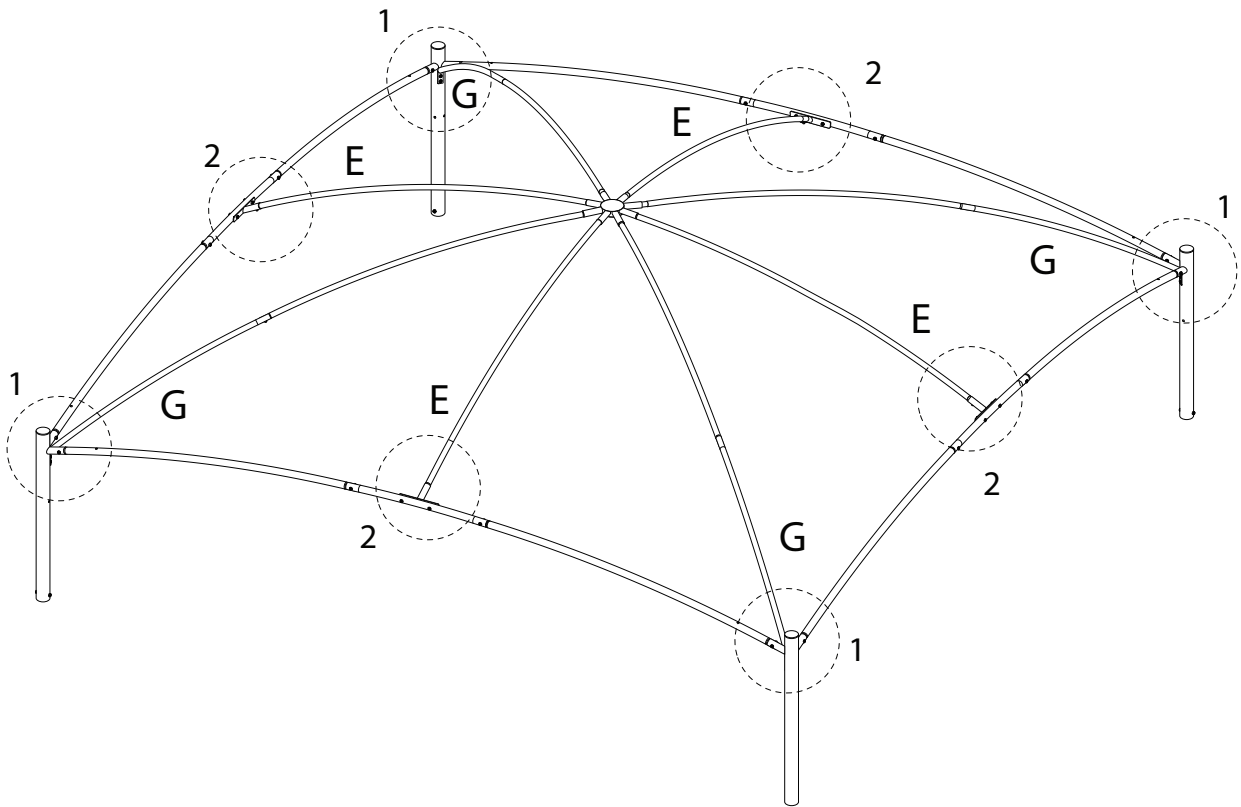


x 8


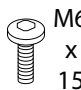
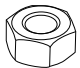

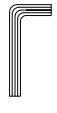

S

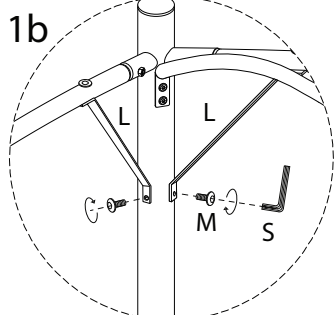
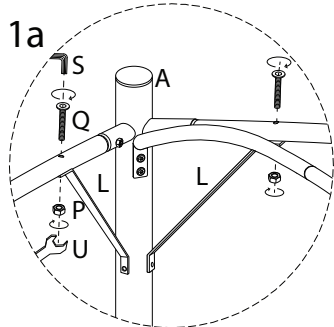
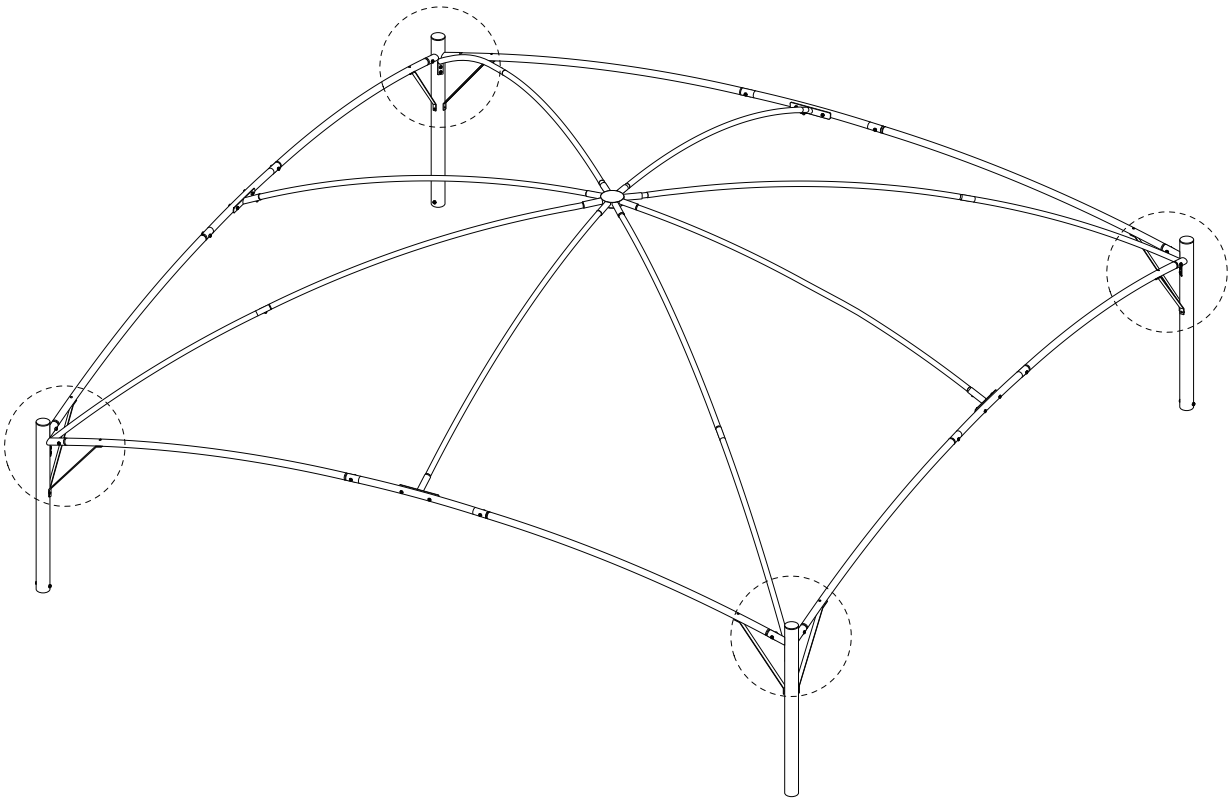


x 1

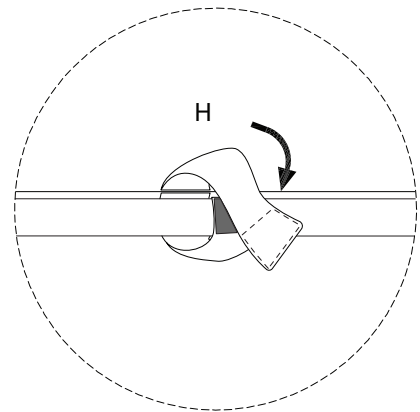
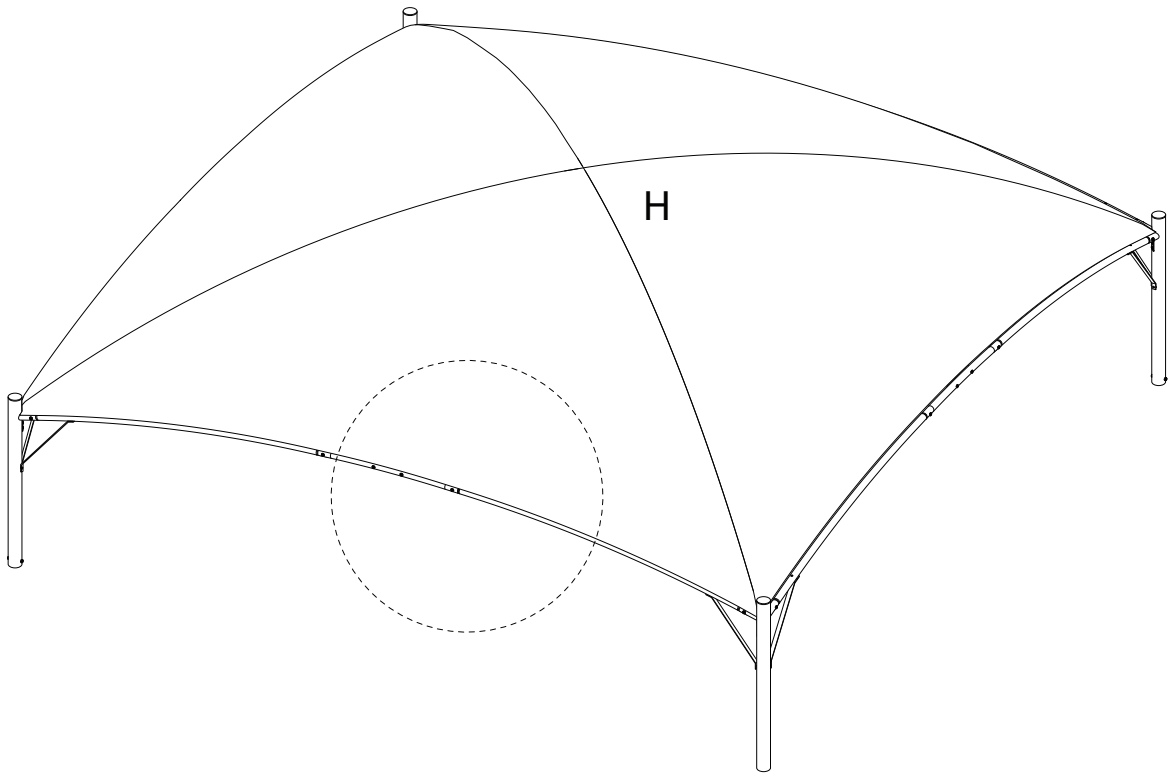
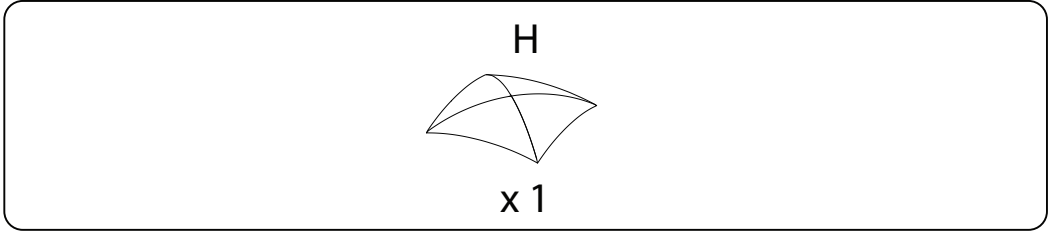


8

<p>L</p>  <p>x 8</p>	<p>M</p>  <p>M6 x 15</p> <p>x 8</p>	<p>P</p>  <p>x 8</p>	<p>Q</p>  <p>M6 x 35</p> <p>x 8</p>	<p>S</p>  <p>x 1</p>	<p>U</p>  <p>x 1</p>
---	--	---	---	---	---



9



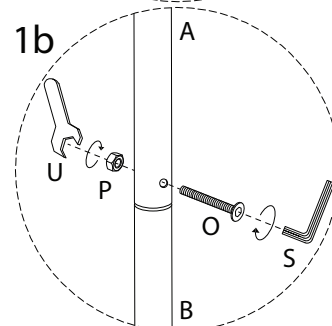
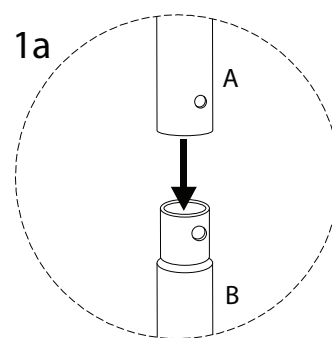
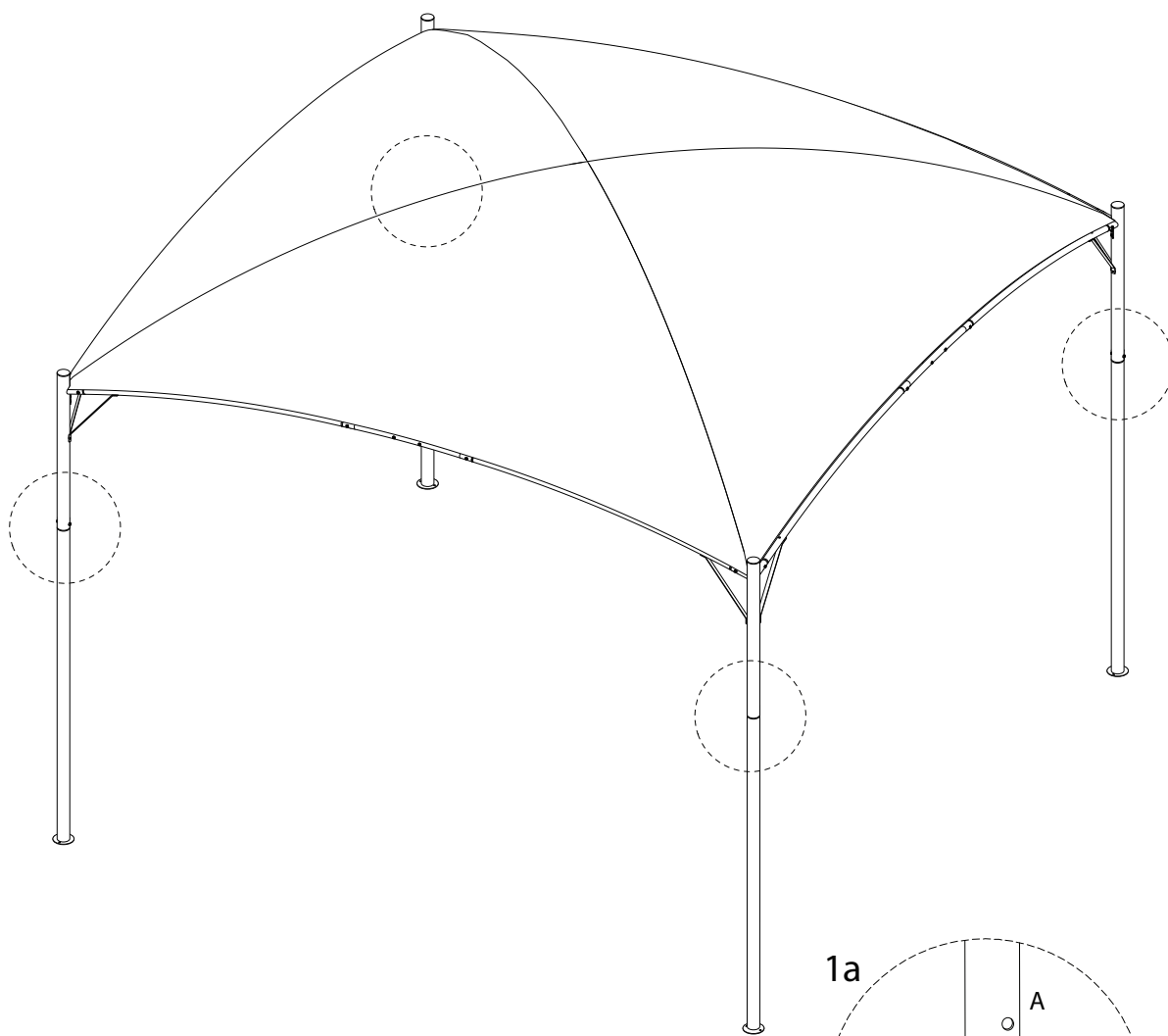
10

O
M6
x
55
x 4

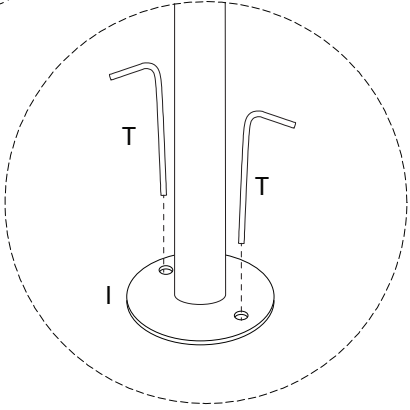
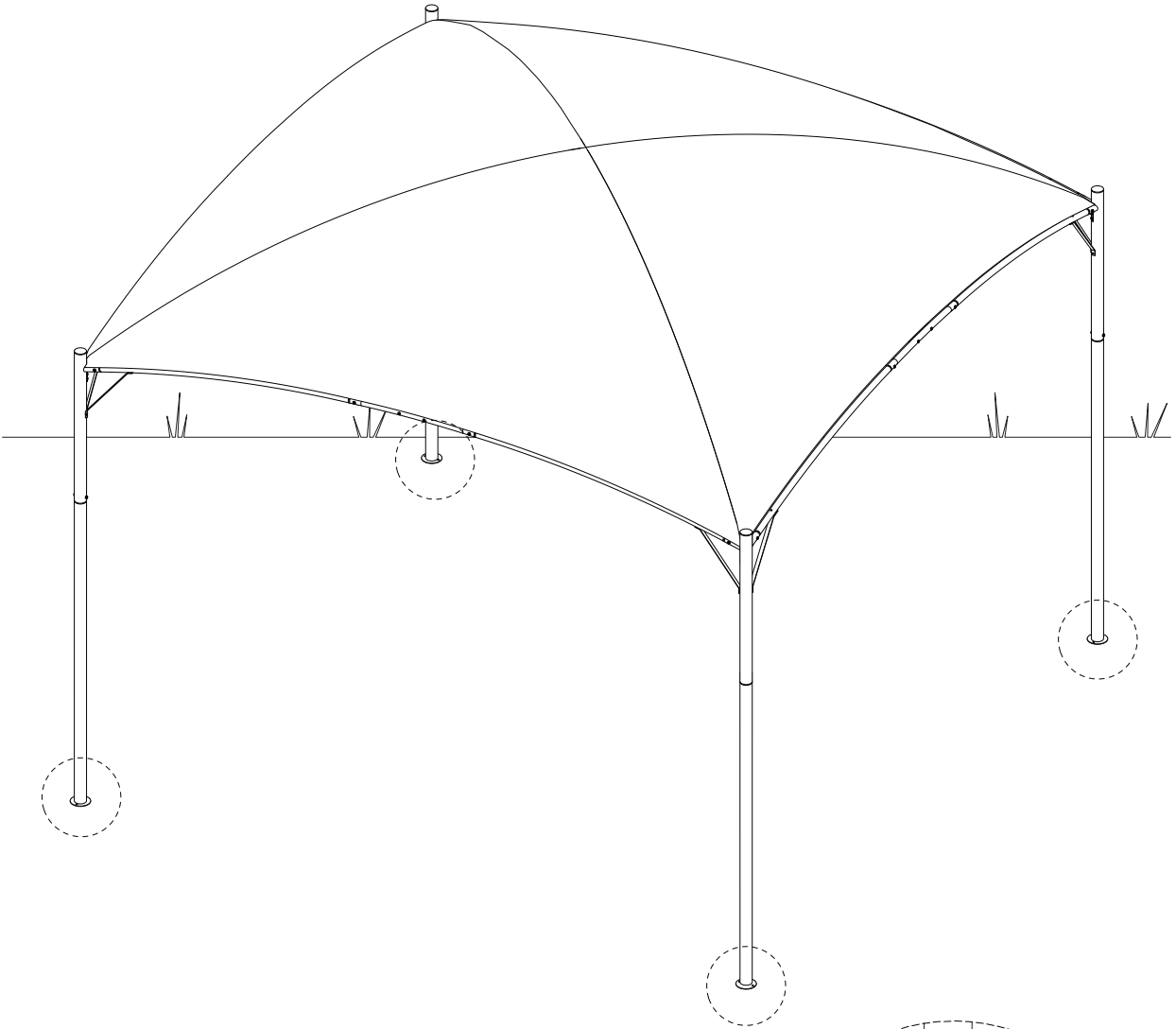
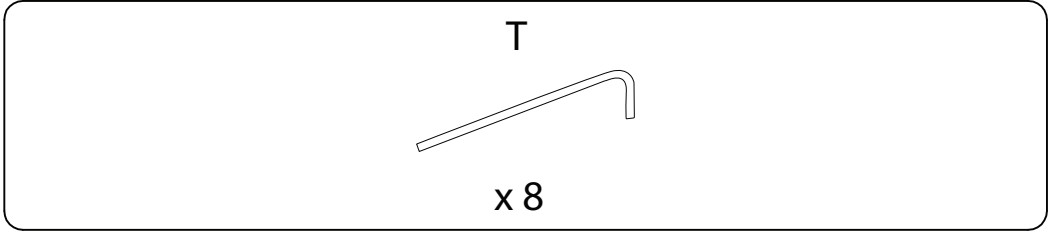
P
x 4

S
x 1

U
x 1



11

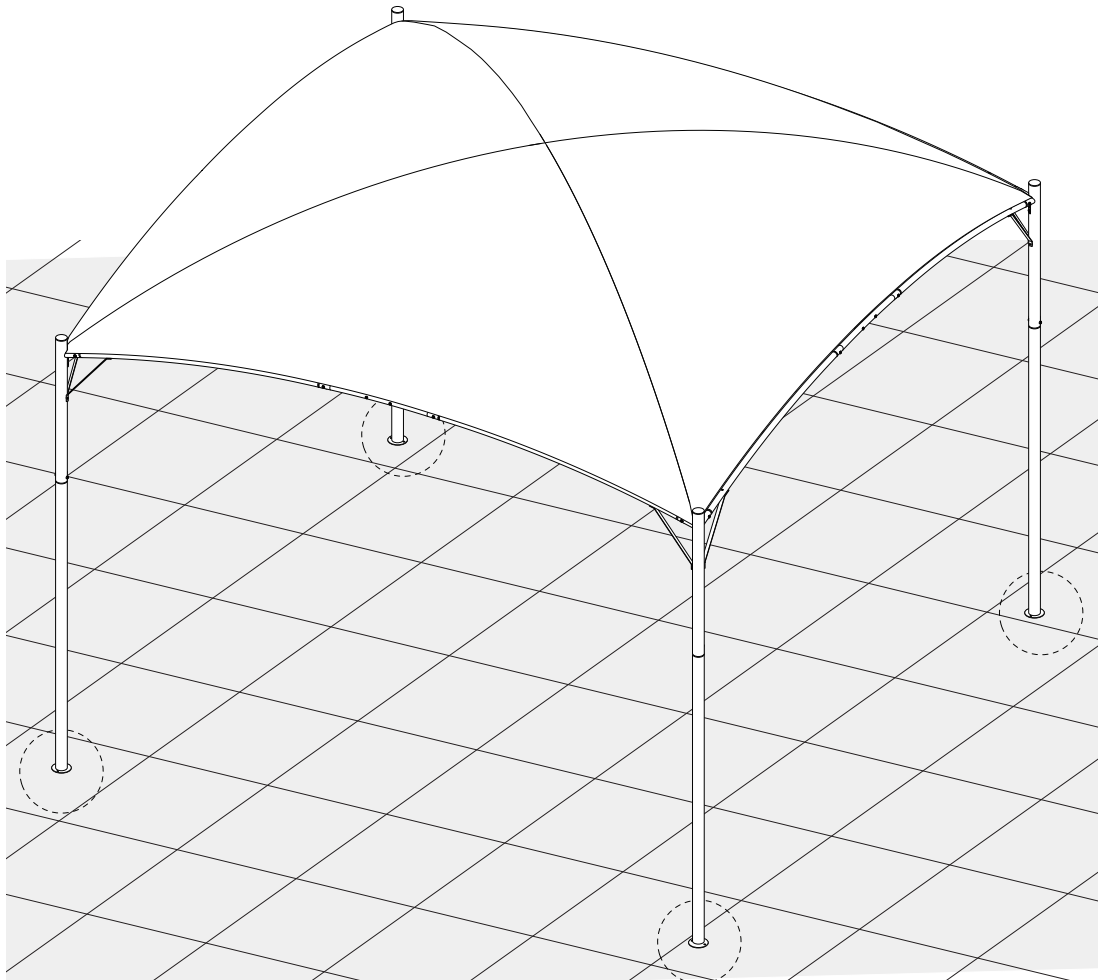




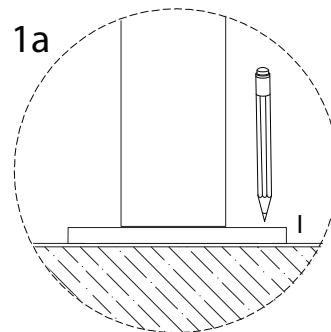
R



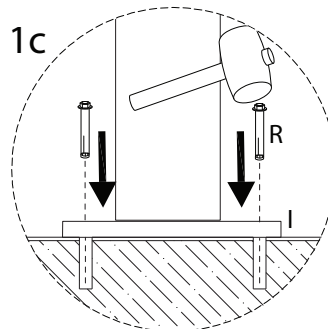
x 8



1a



1c



1b

