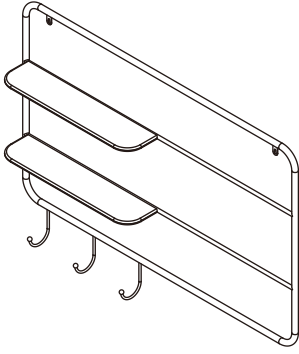
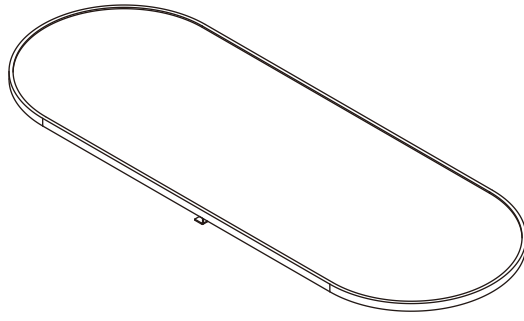


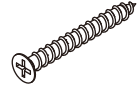
ASSEMBLY INSTRUCTION



Ax1

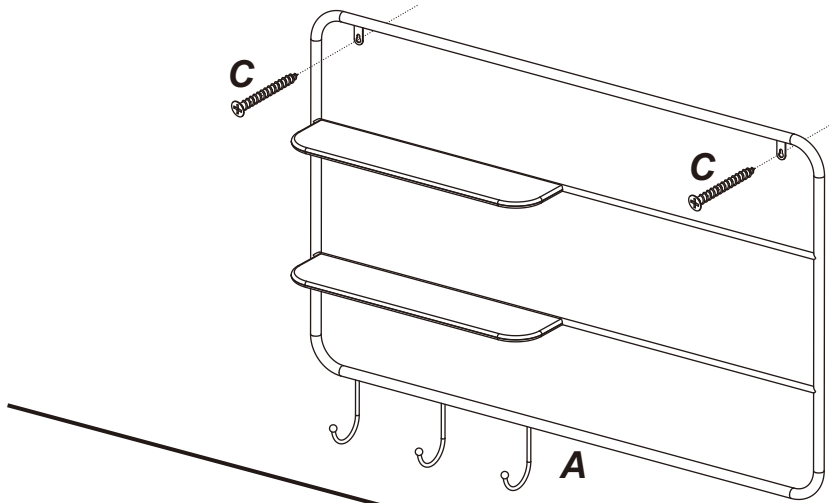


Bx1

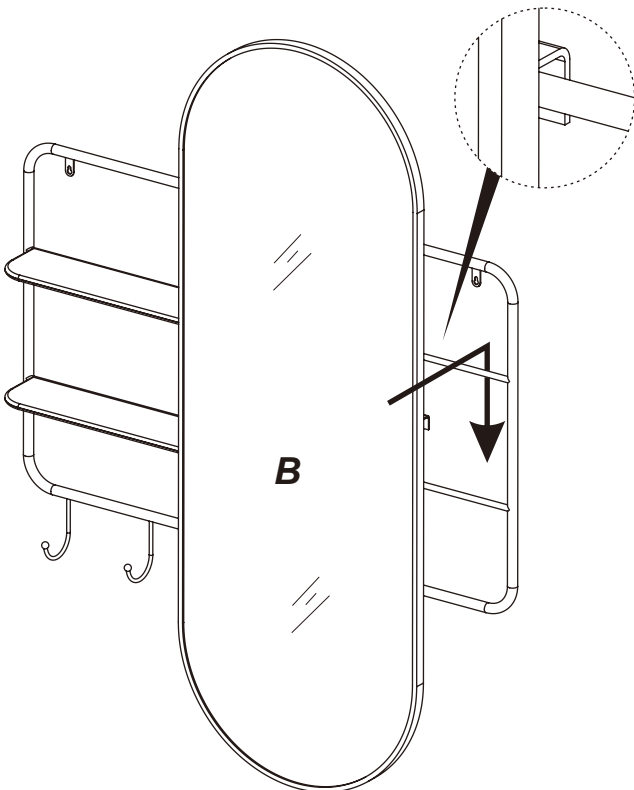


Cx2

1



2



3

