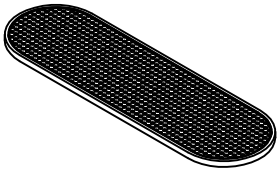
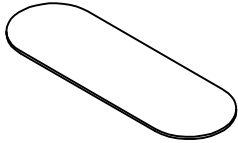
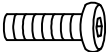
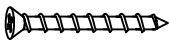




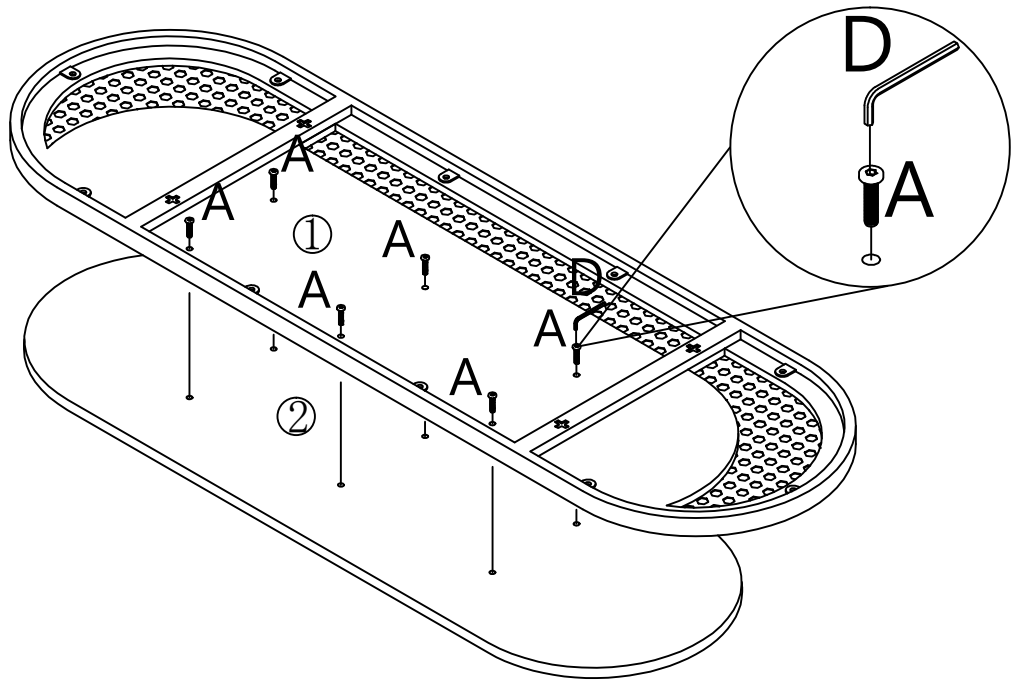
Parts and Operation Elements

					
①	1PC	②	1PC		

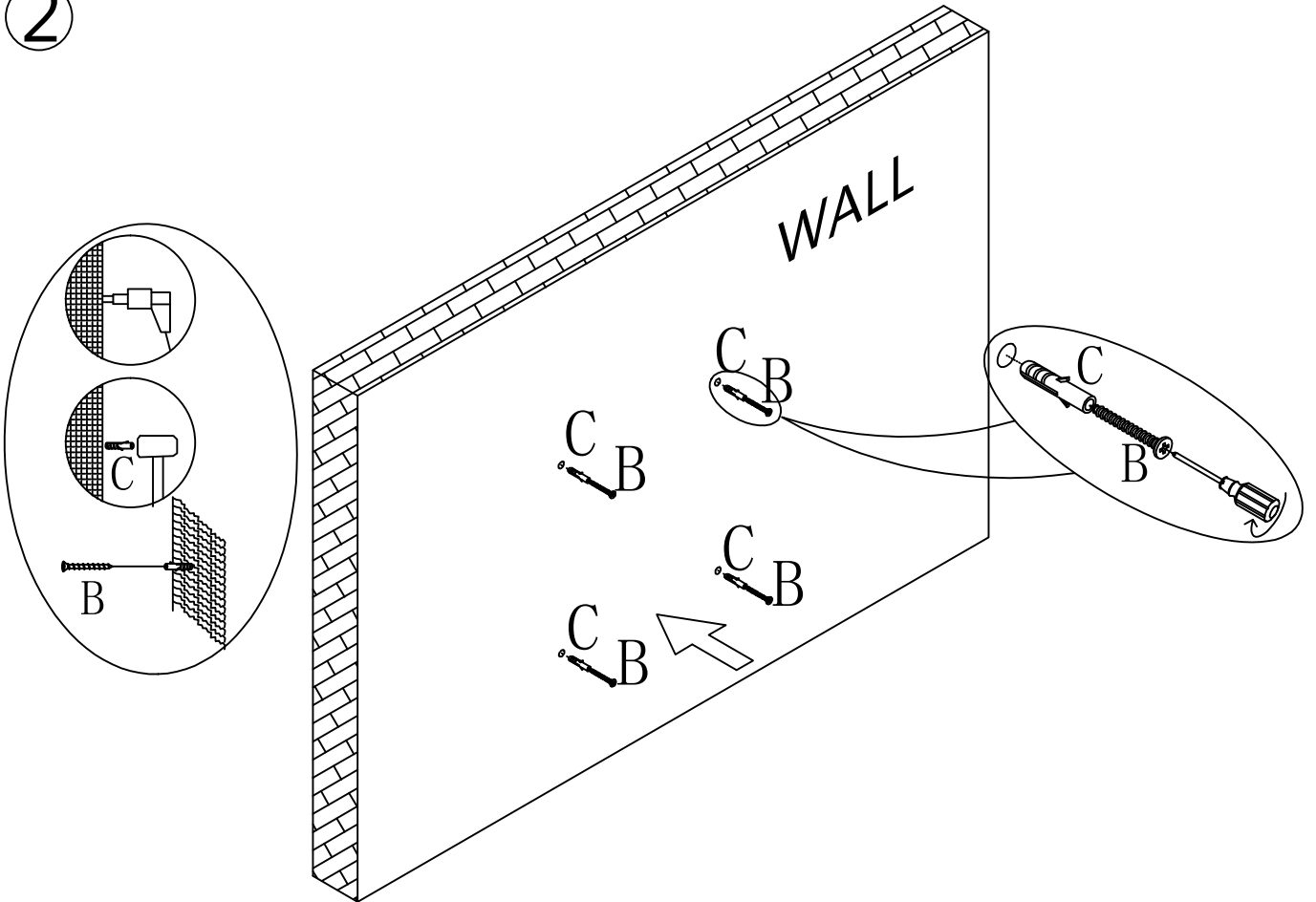
Hardware

 M6*22mm		 φ4*40		 φ8*40mm			
Ⓐ	6PCS	Ⓑ	4PCS	Ⓒ	4PCS	Ⓓ	1PC

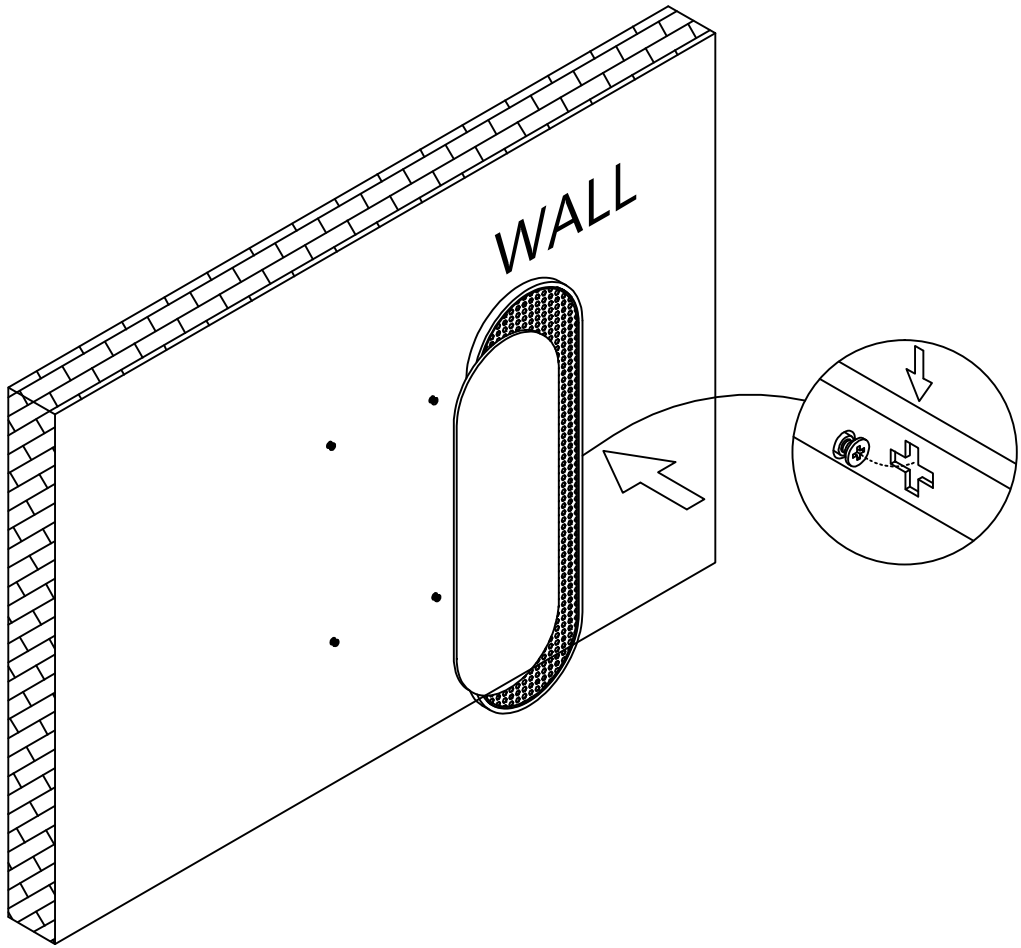
1



2



3



4

