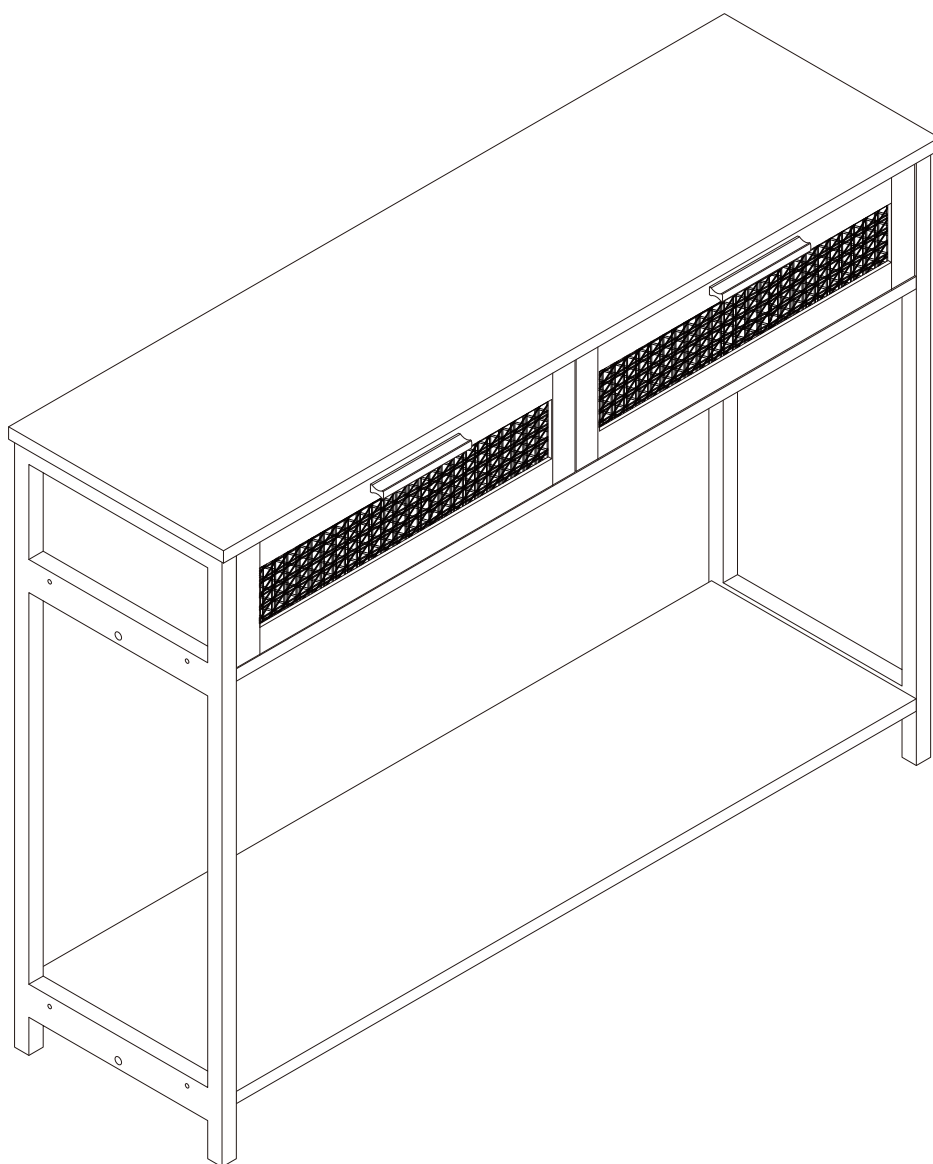
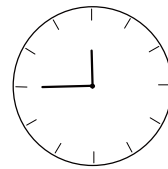
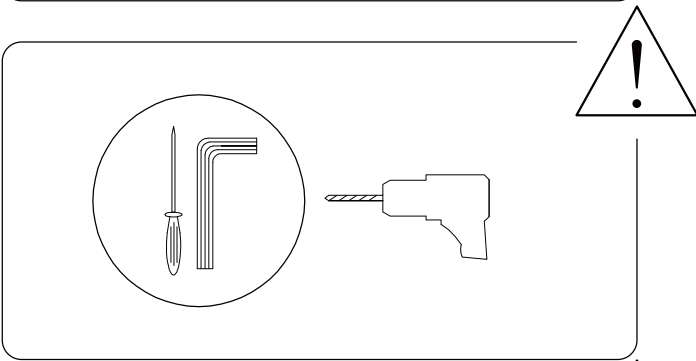
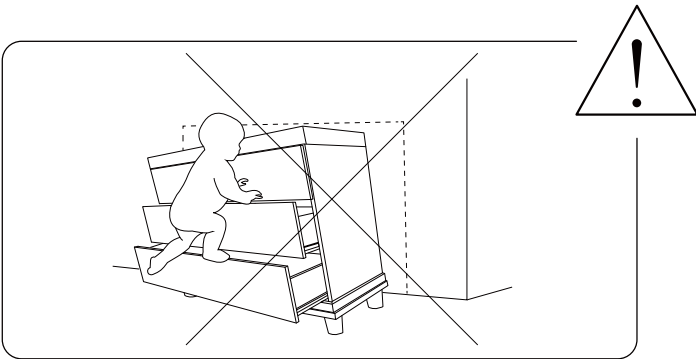
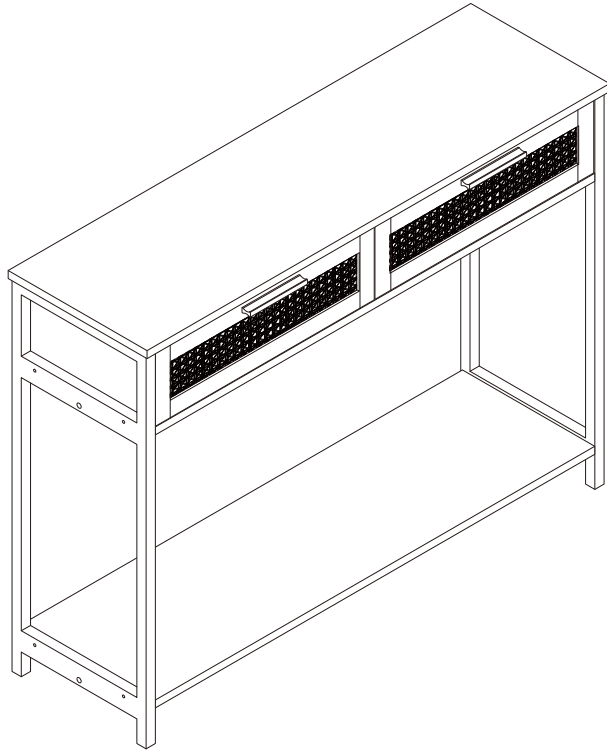
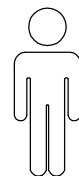
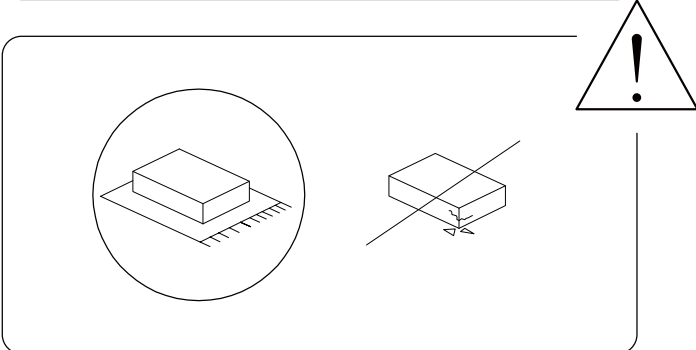


# OPOCO

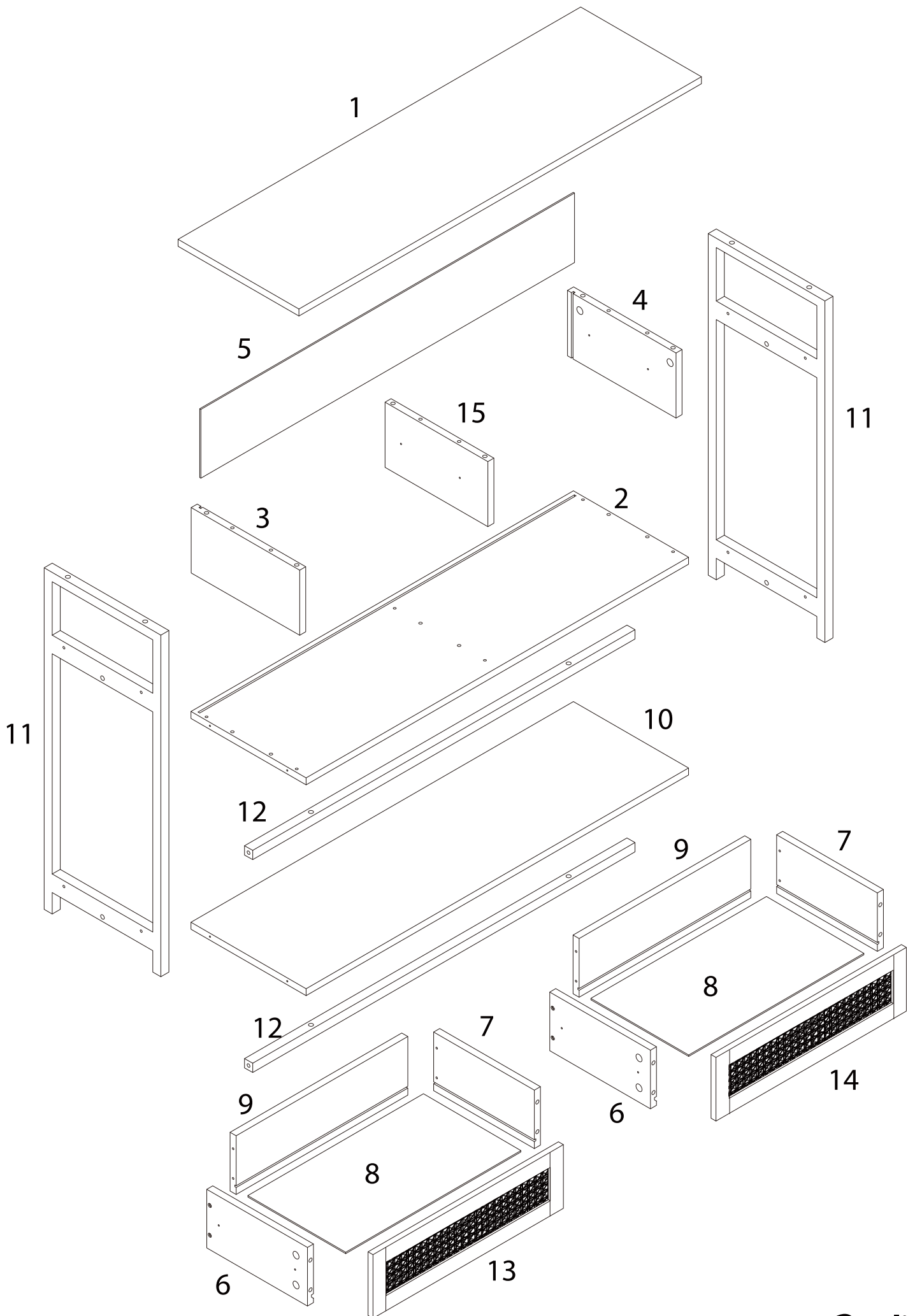




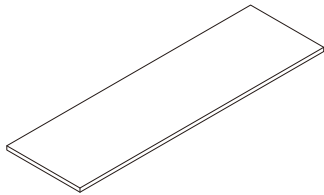
45'



2

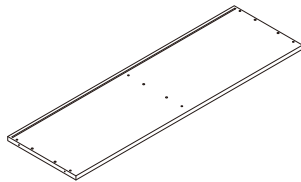


1



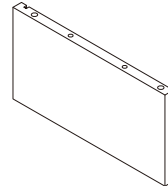
x 1

2



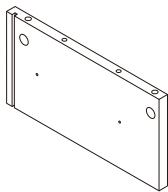
x 1

3



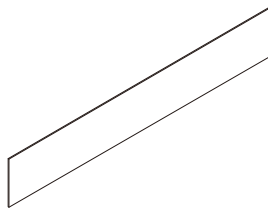
x 1

4



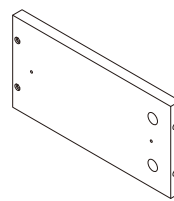
x 1

5



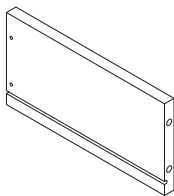
x 1

6



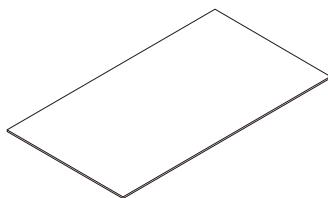
x 2

7



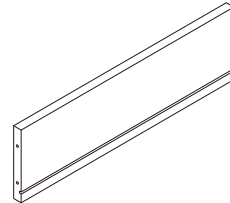
x 2

8



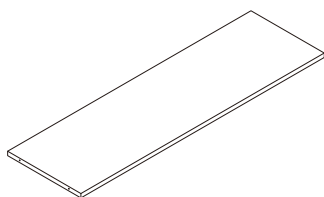
x 2

9



x 2

10



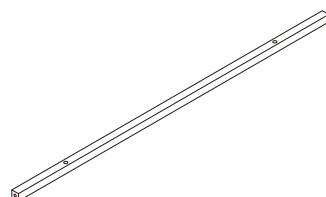
x 1

11



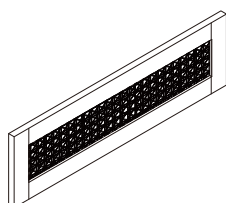
x 2

12



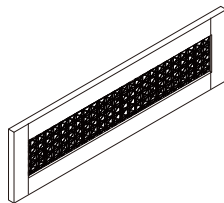
x 2

13



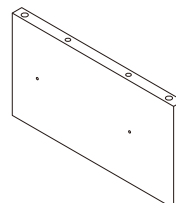
x 1

14



x 1

15



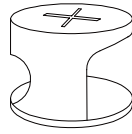
x 1

A



x 14

B



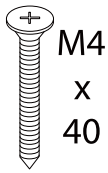
x 14

C



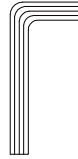
x 12

D



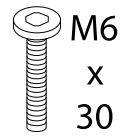
x 16

E



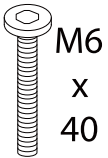
x 1

F



x 8

G



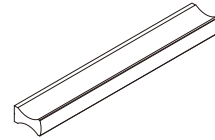
x 4

H



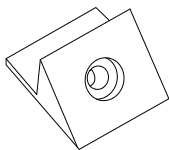
x 24

I



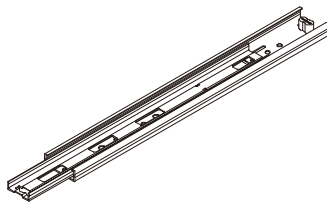
x 2

J



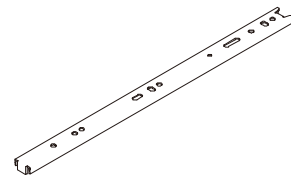
x 6

K1



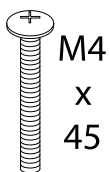
x 4

K2



x 4

L



x 8

M



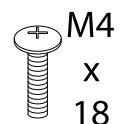
x 2

N



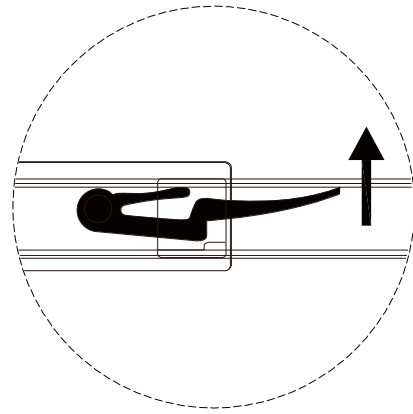
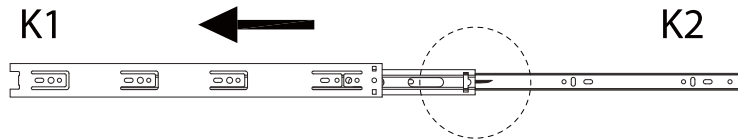
x 2

O

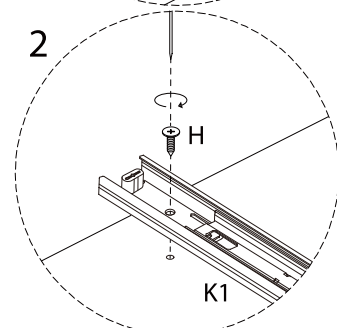
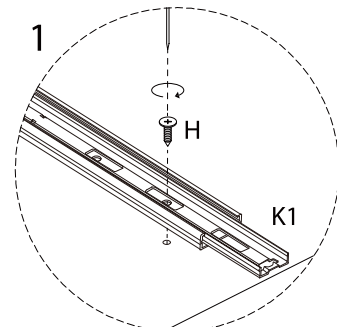
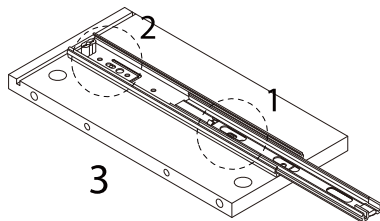
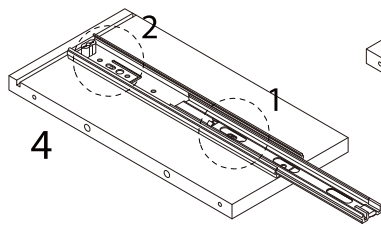
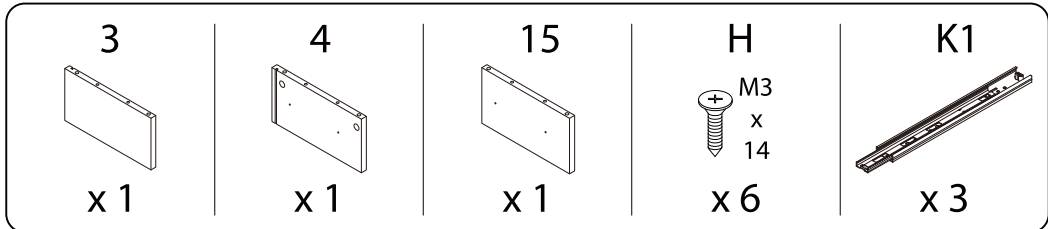


x 4

!



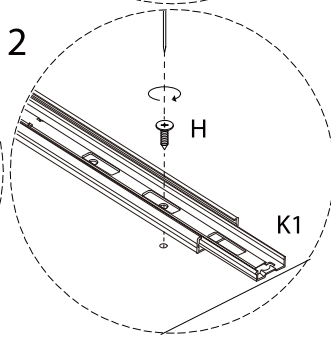
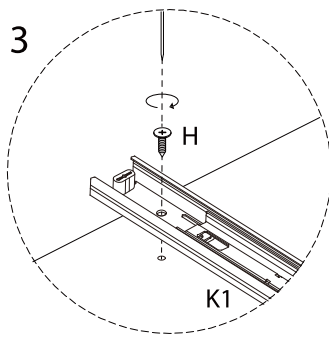
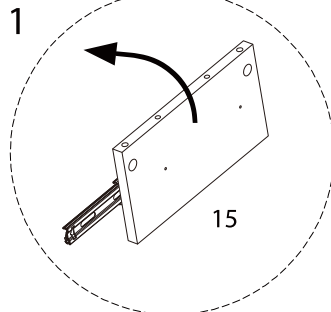
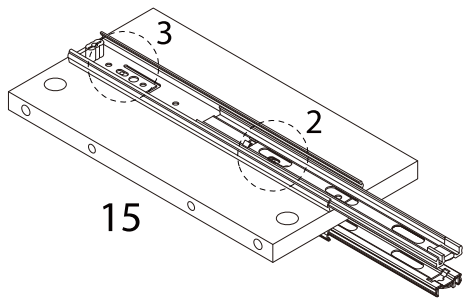
1



2

H  
M3  
x  
14  
x 2

K1  
x 1

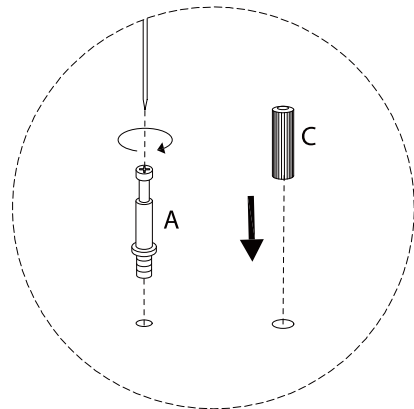
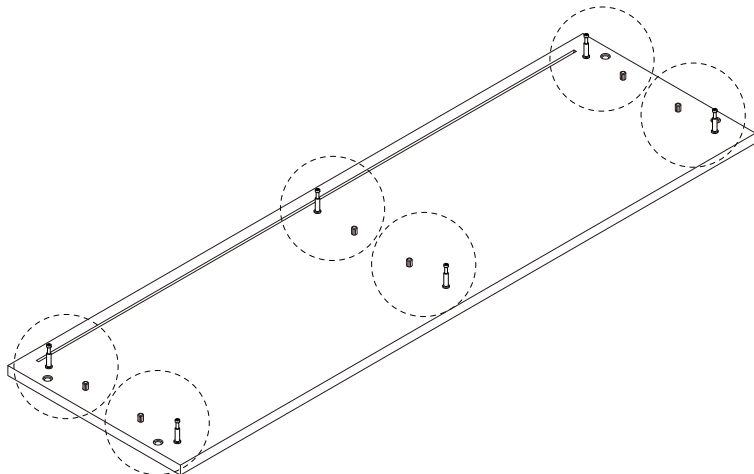


3

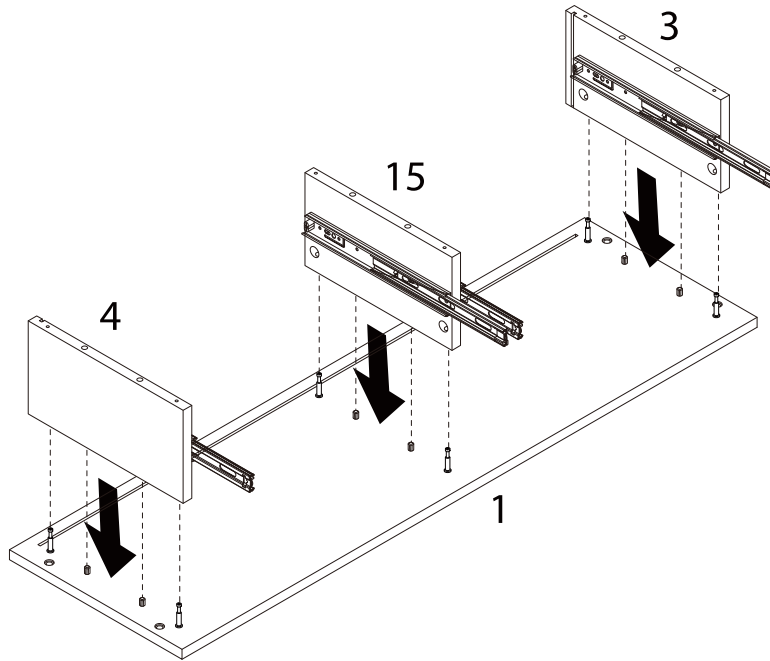
1  
x 1

A  
x 6

C  
x 6



4

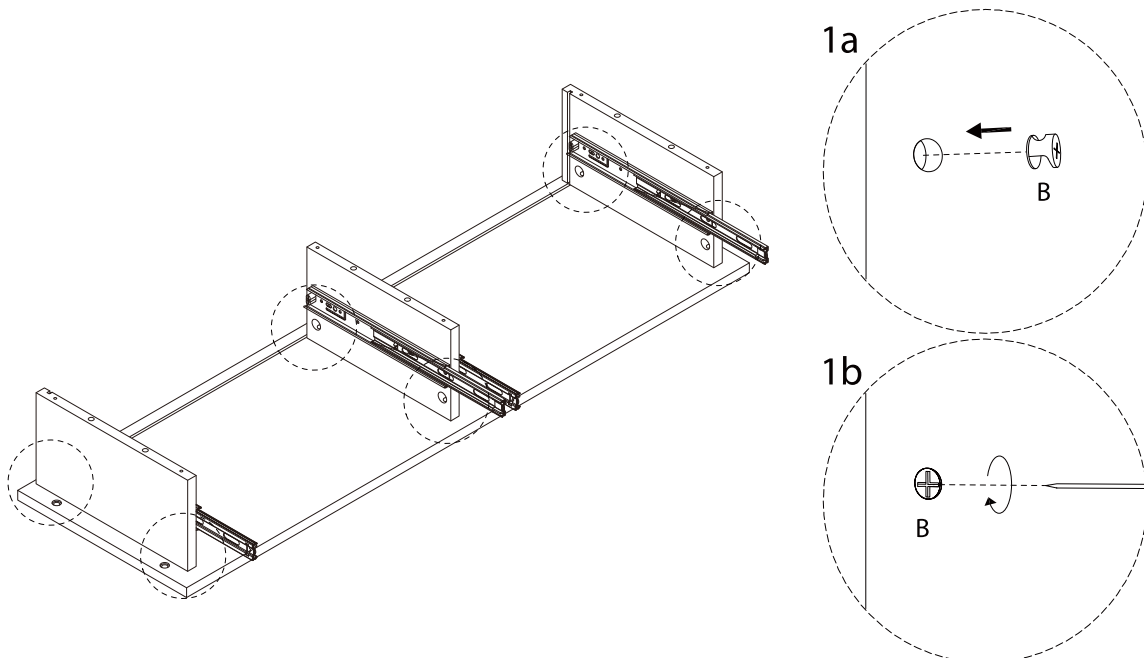


5

B



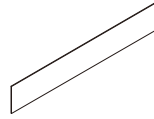
x6



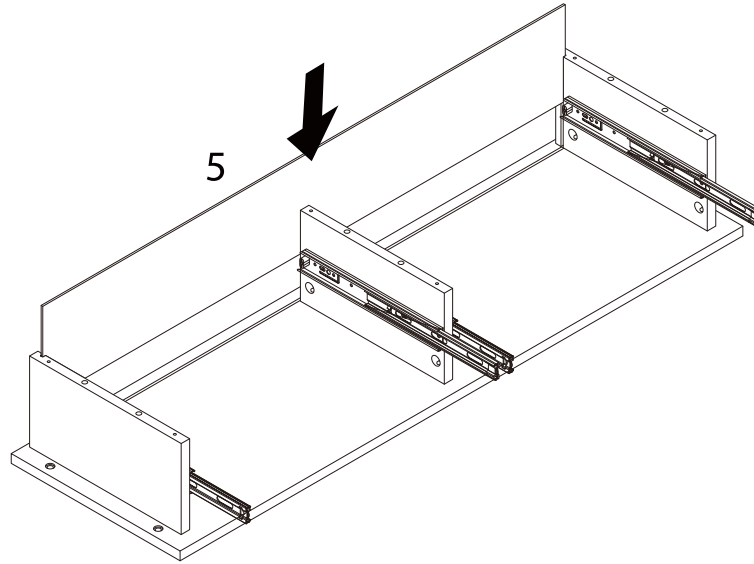


6

5



x 1

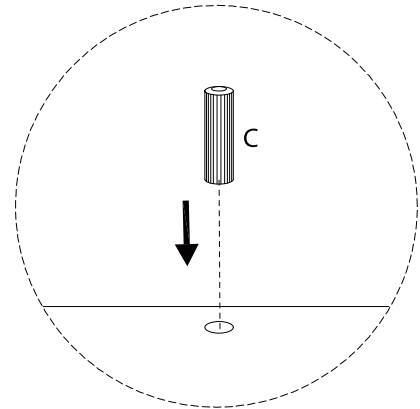
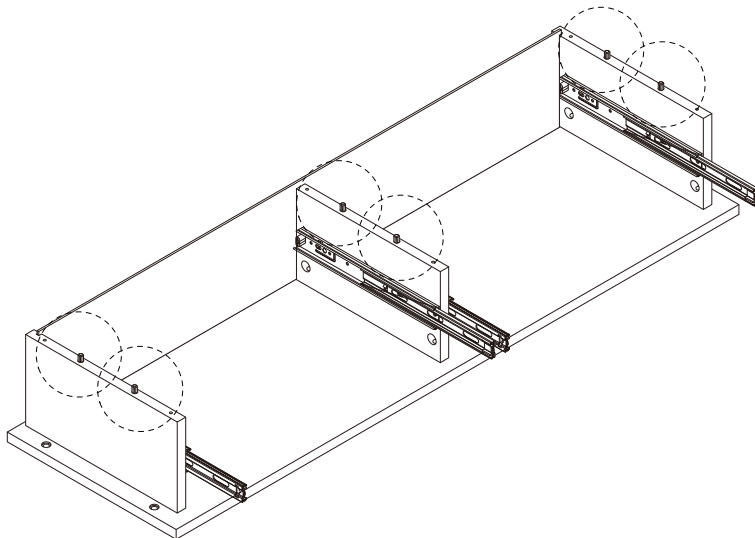


7

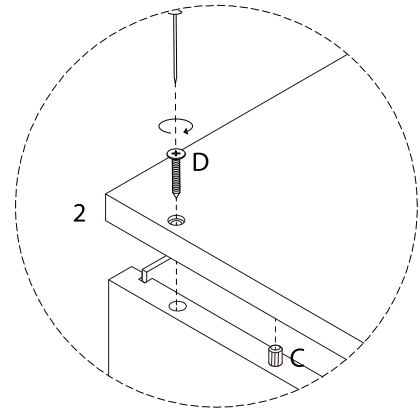
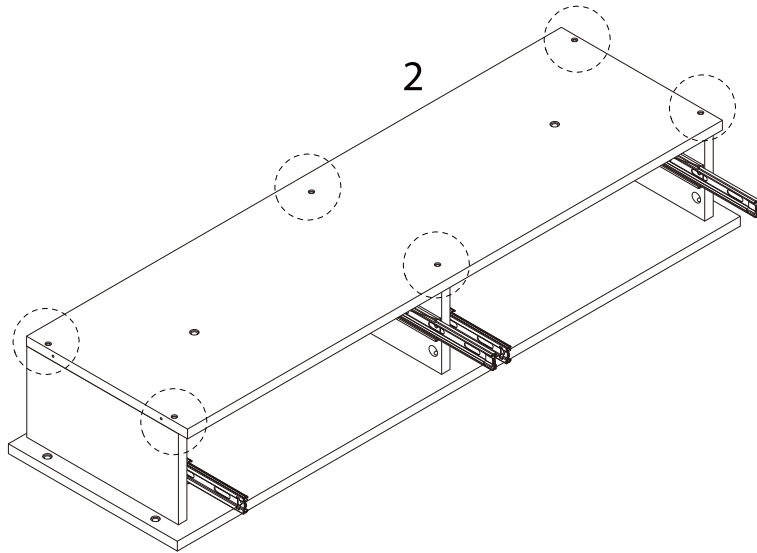
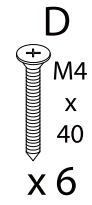
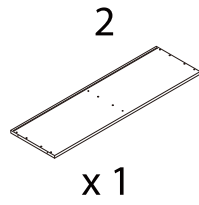
C



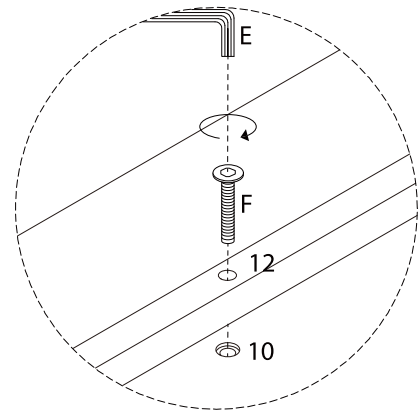
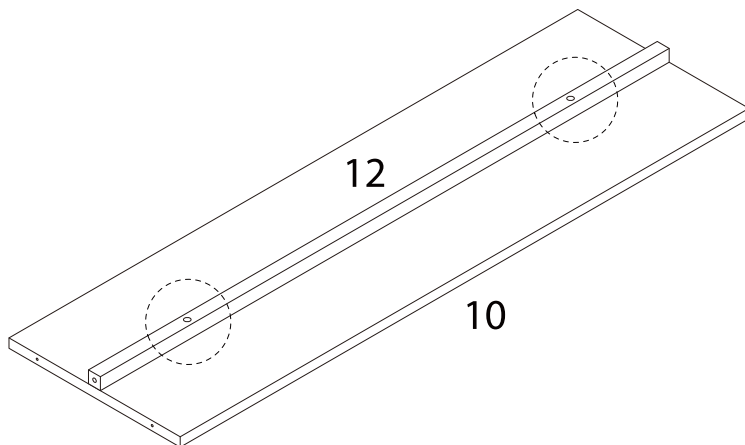
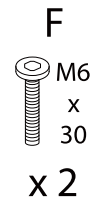
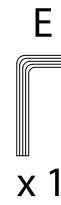
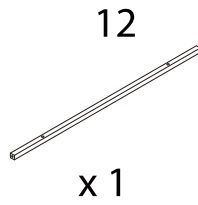
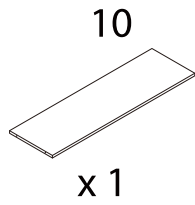
x 6



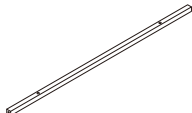
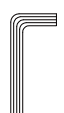
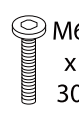
8

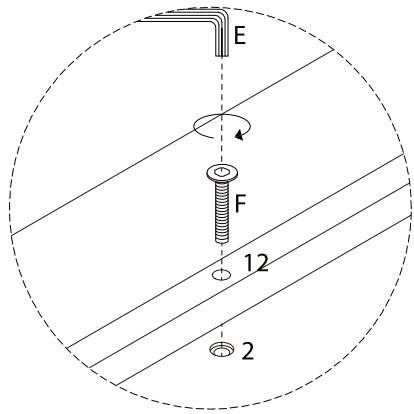
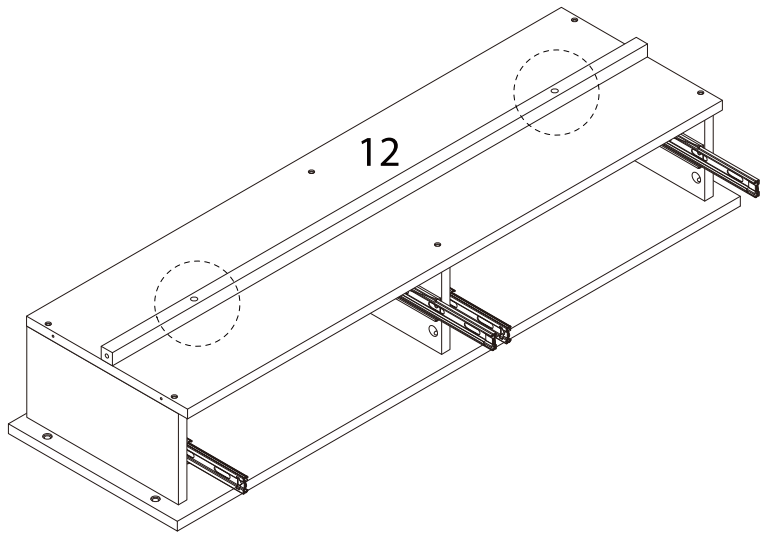


9

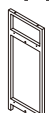
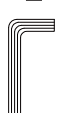
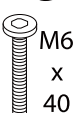
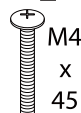


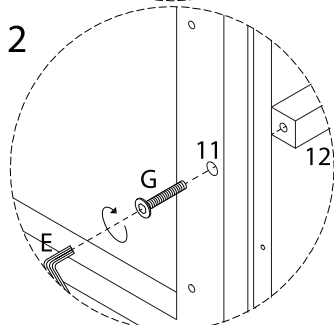
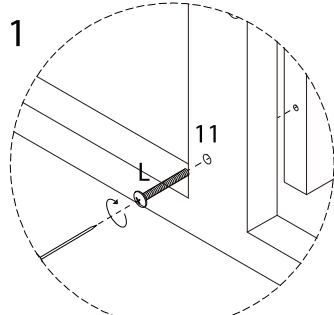
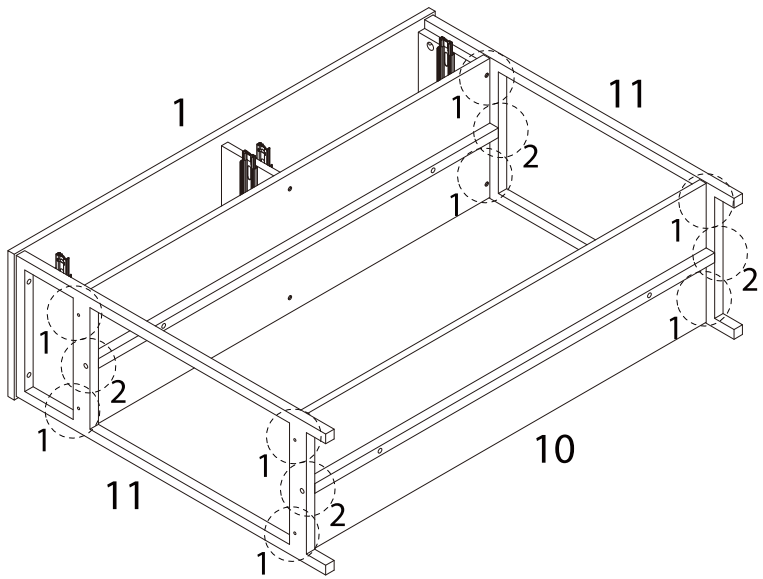
10

12  x1	E  x1	F  M6 x 30 x2
---	--	--



11

11  x2	E  x1	G  M6 x 40 x4	L  M4 x 45 x8
---	--	---	--



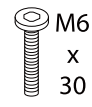
12

E

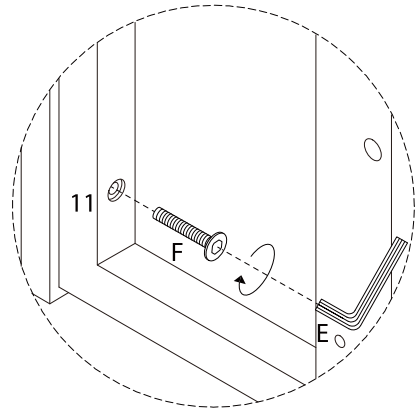
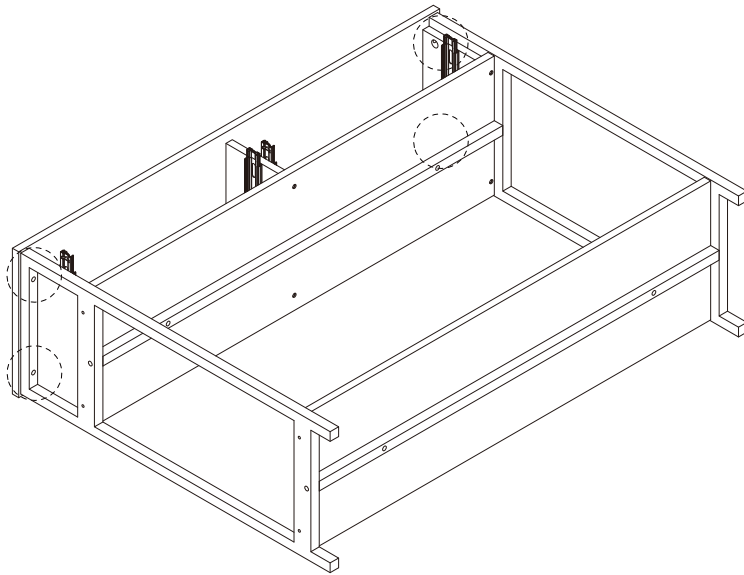


x 1

F

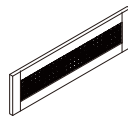


x 4



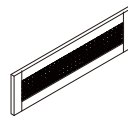
13

13



x 1

14

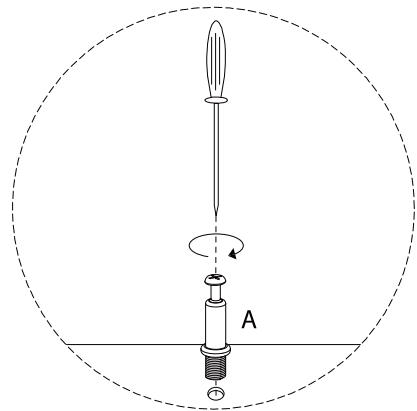
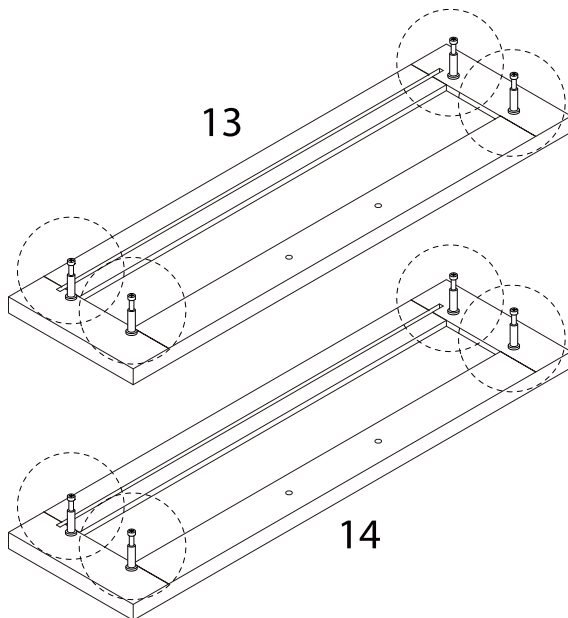


x 1

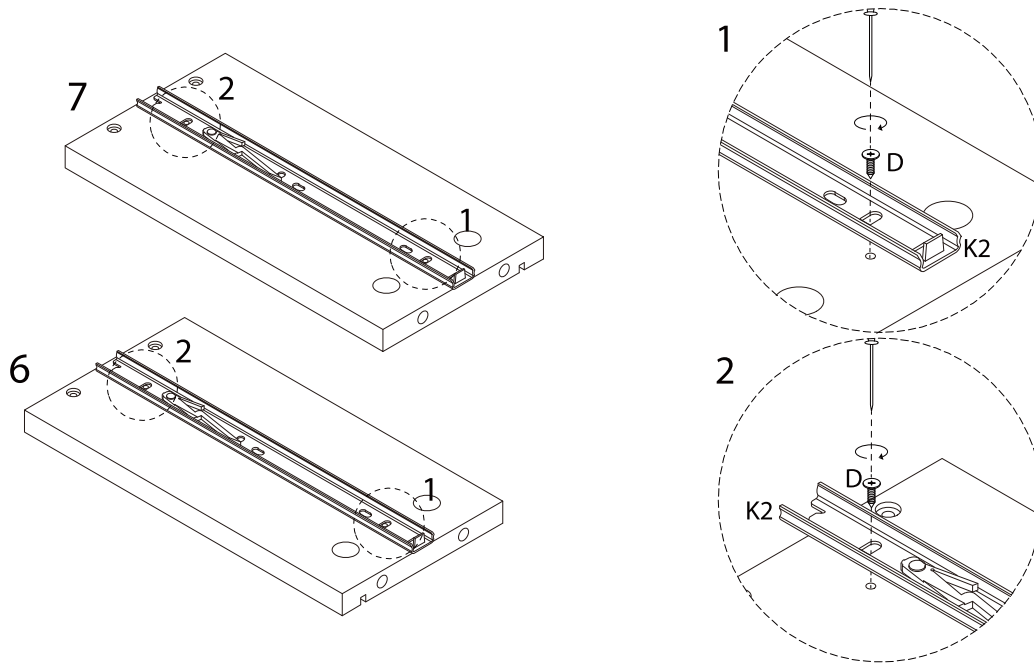
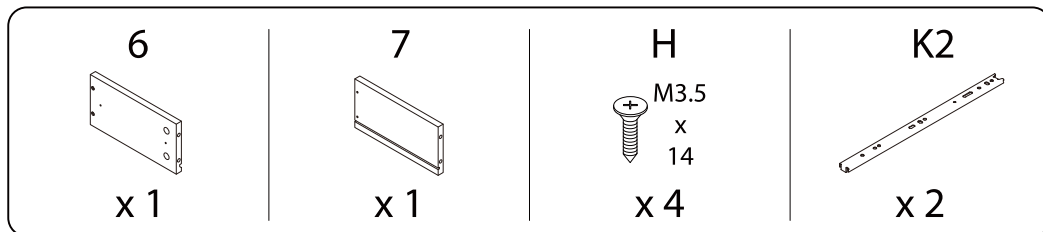
A



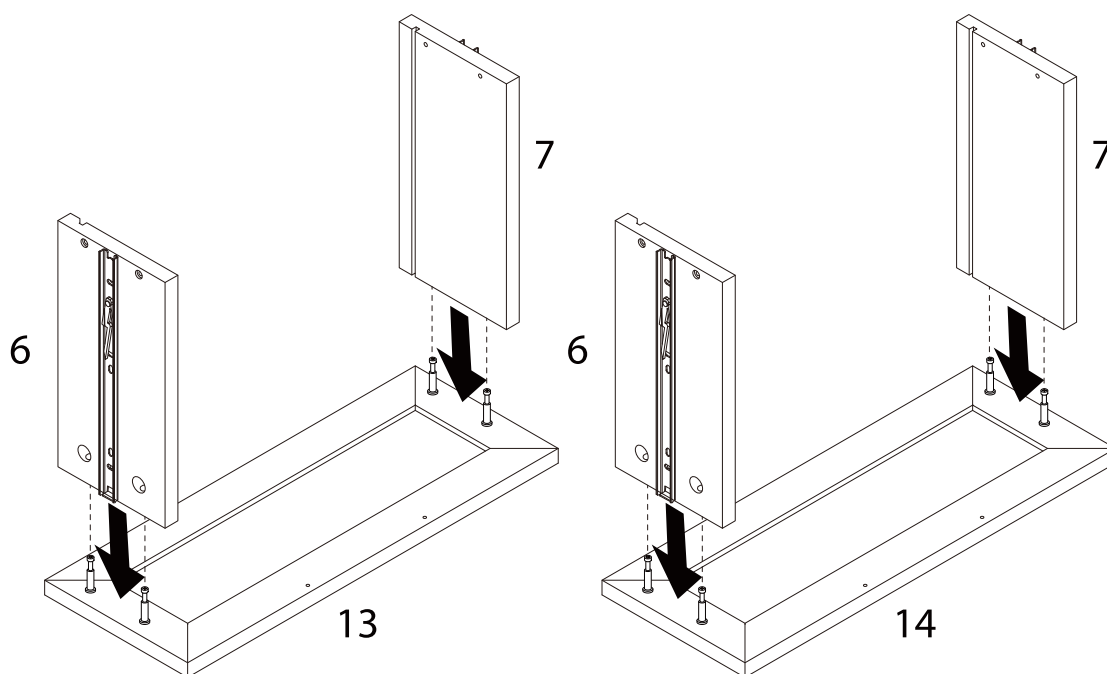
x 8



14 x 2



15

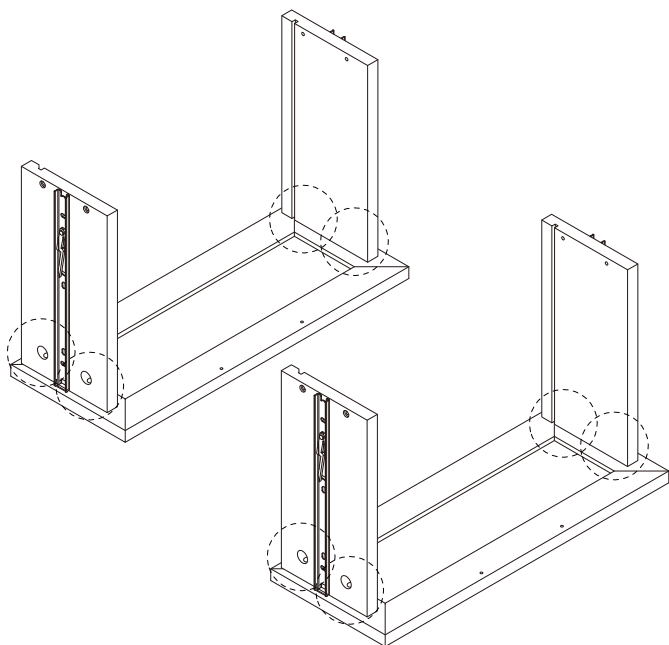


16

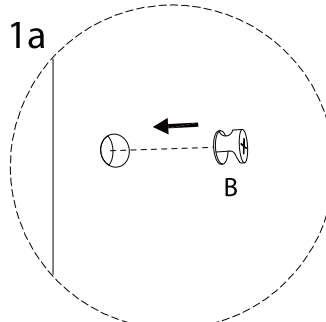
B



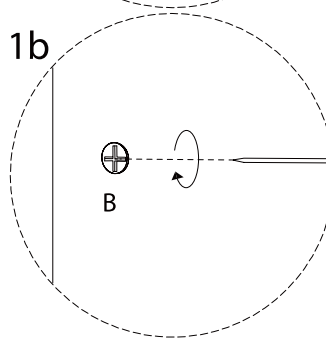
x 4



1a

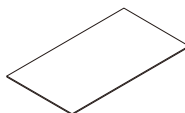


1b

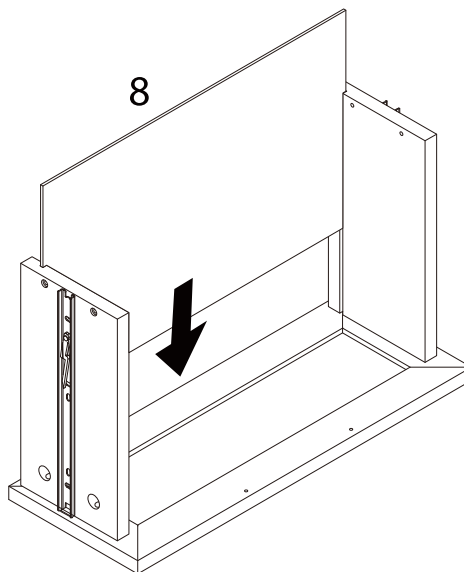
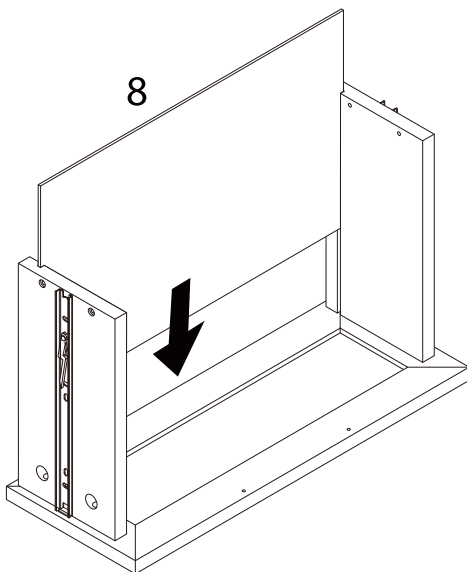


17

8

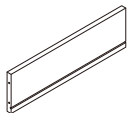


x 1



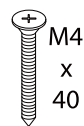
18

9

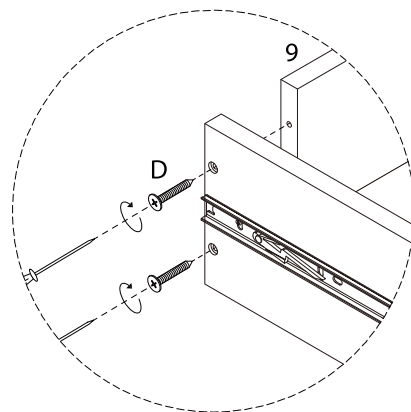
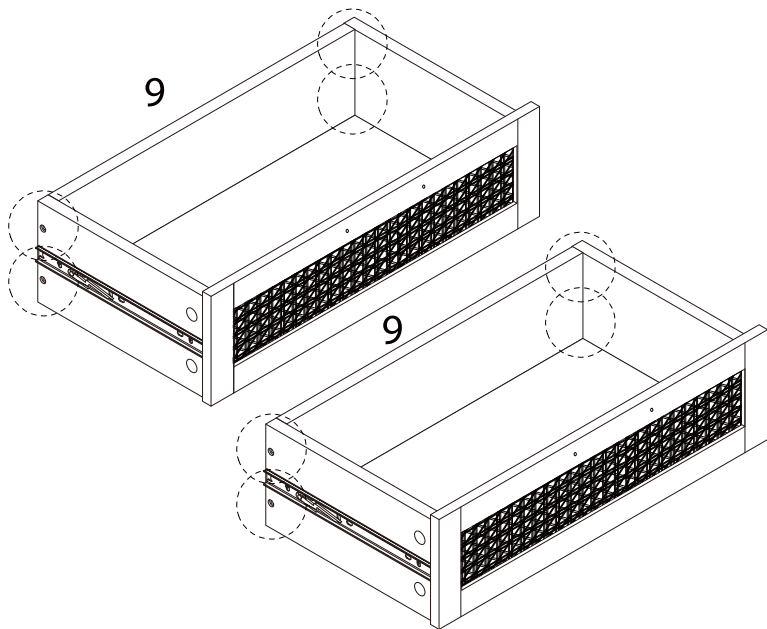


x 1

D



x 4



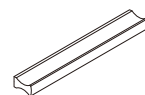
19

H

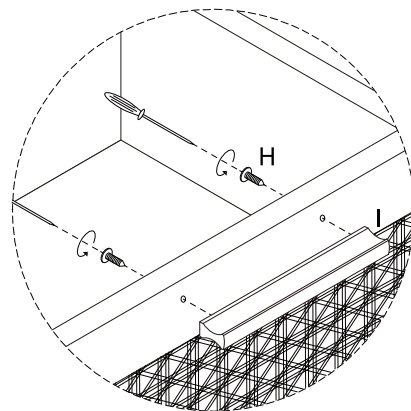
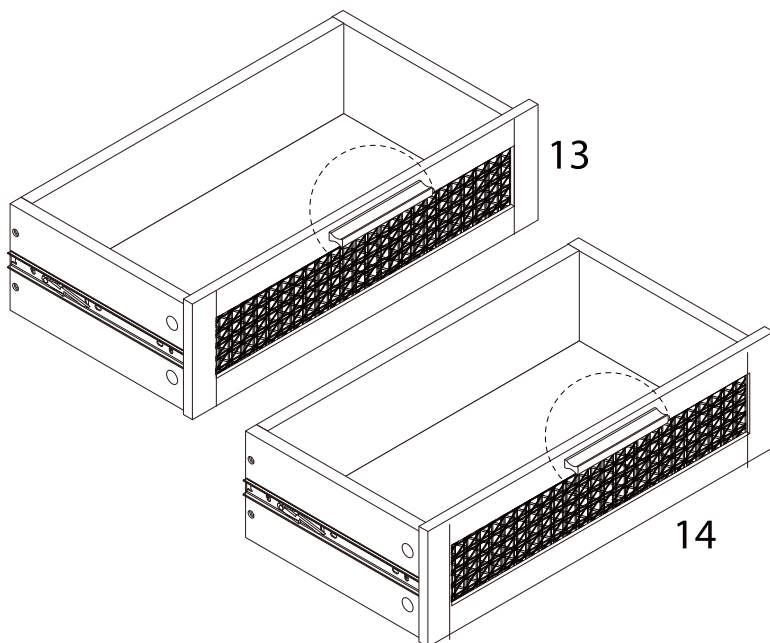


x 4

I



x 2



20

H

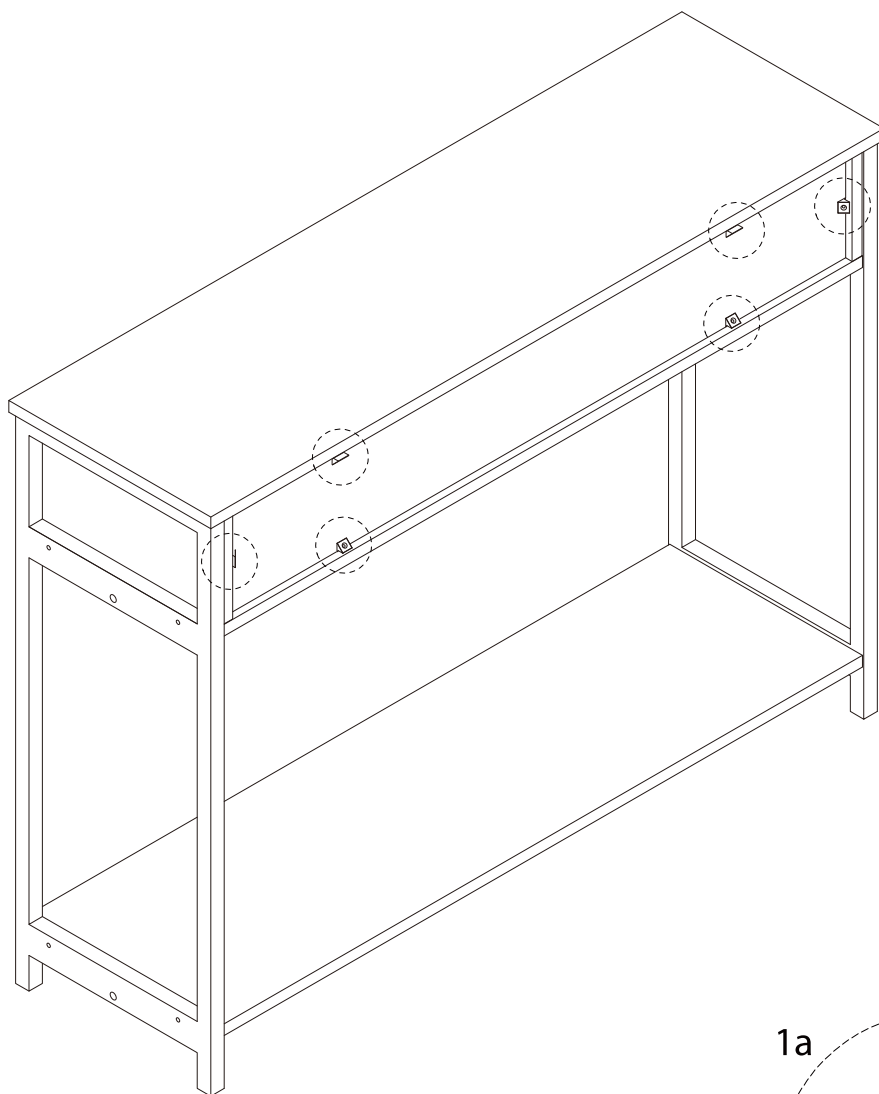


x 6

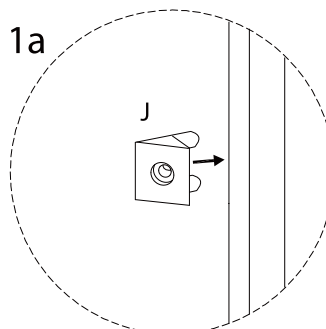
J



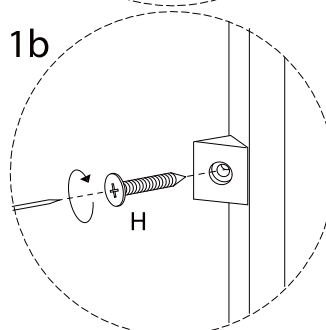
x 6



1a

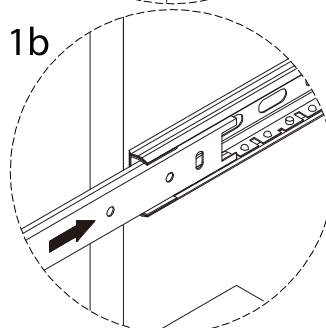
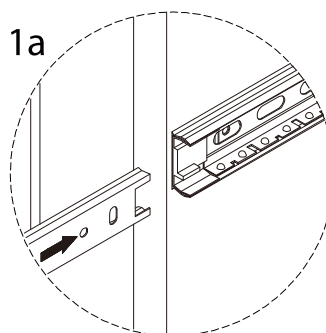
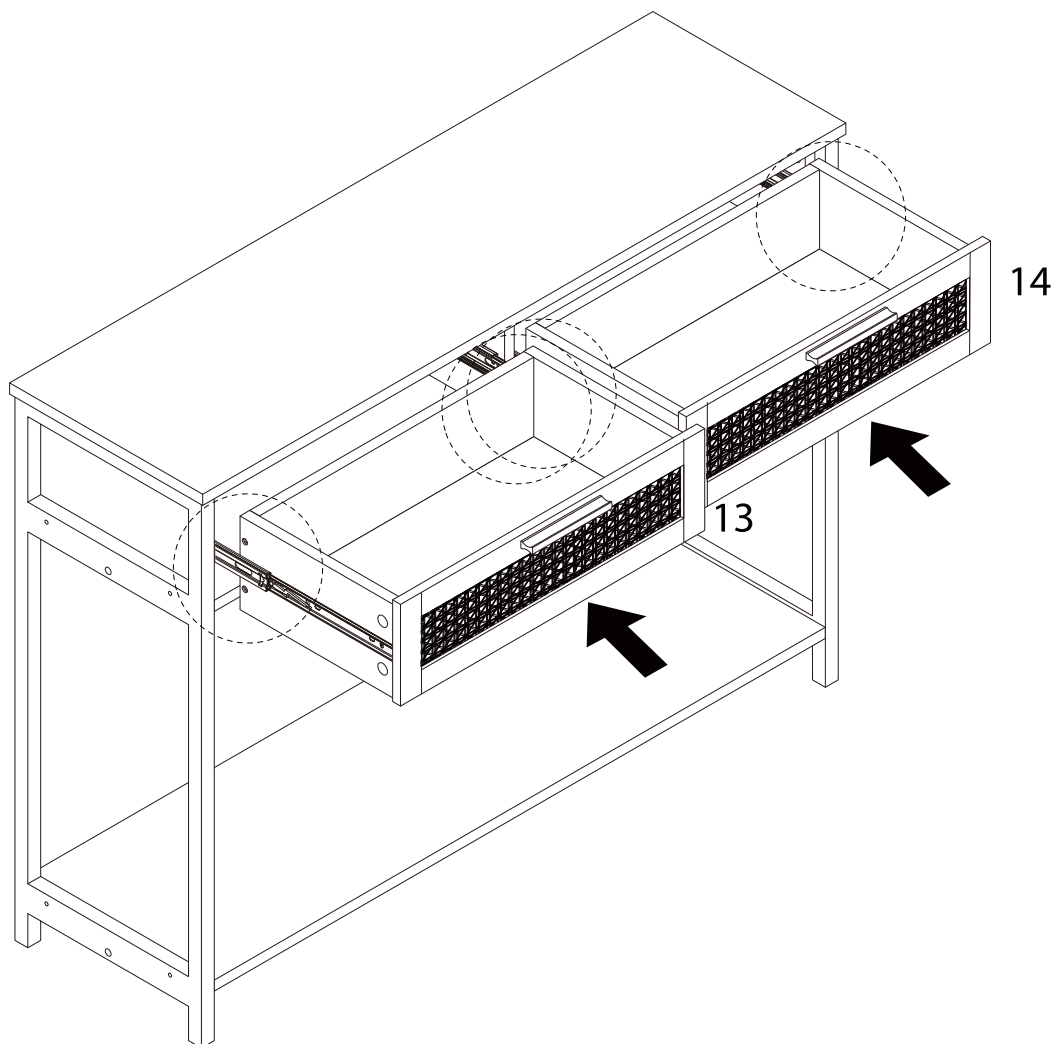


1b





21



22

M

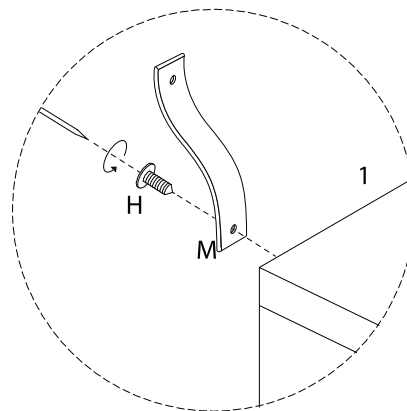
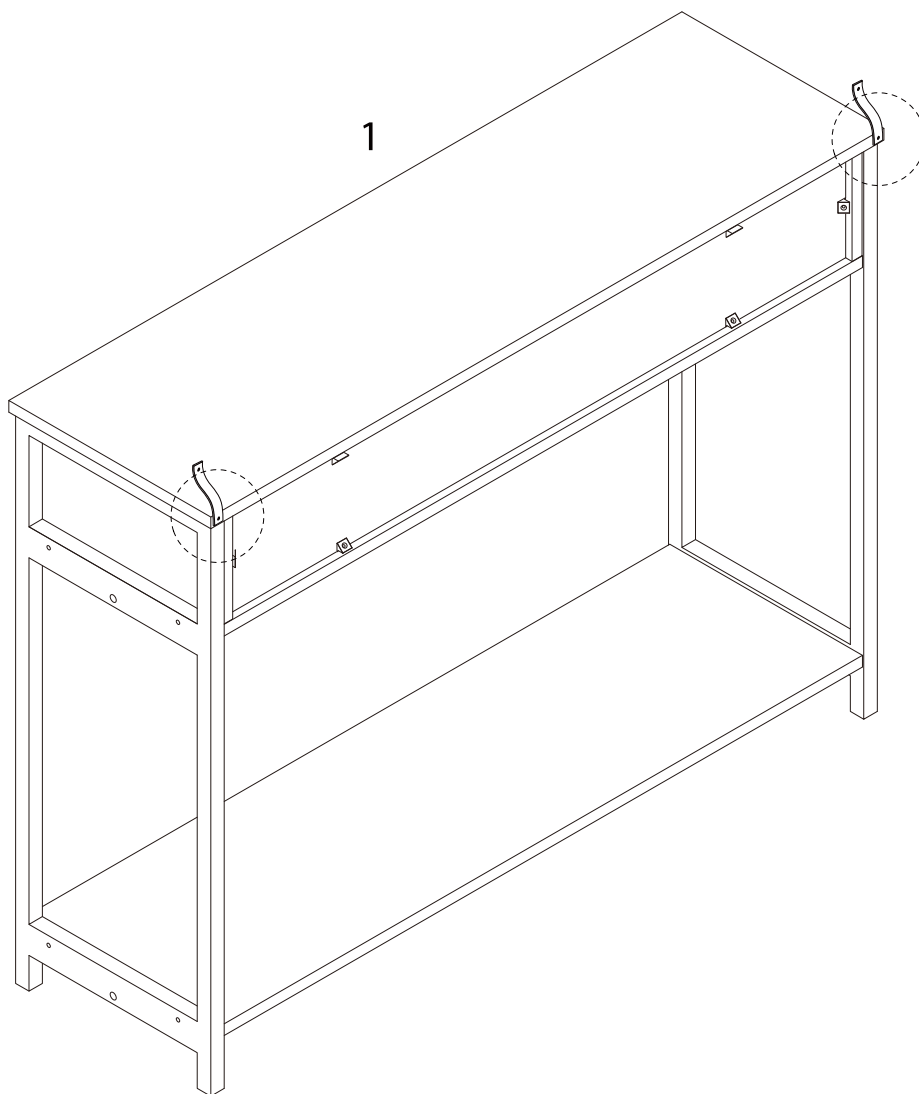


x 2

H



x 2



23

