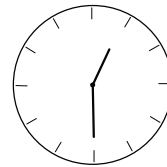
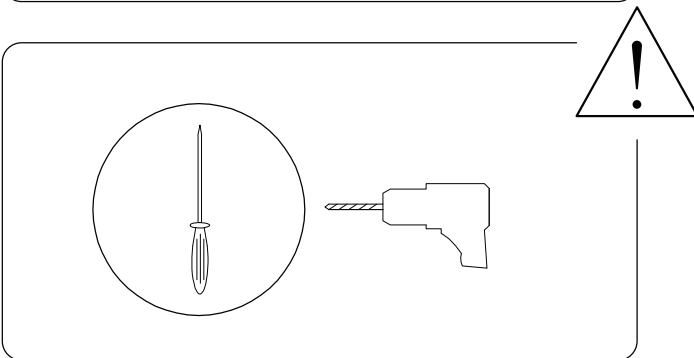
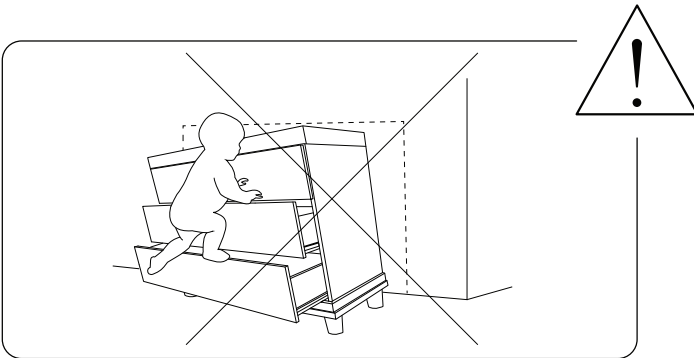
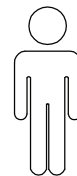
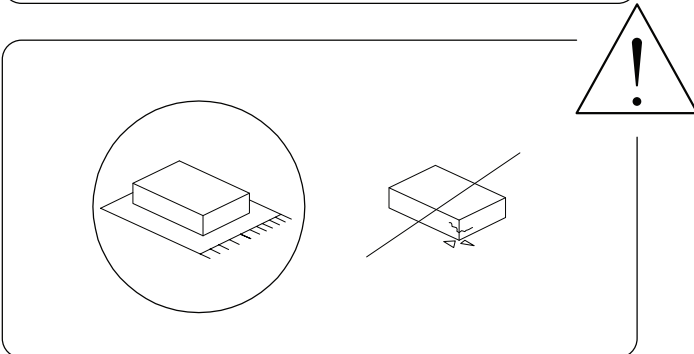


# SARDIS

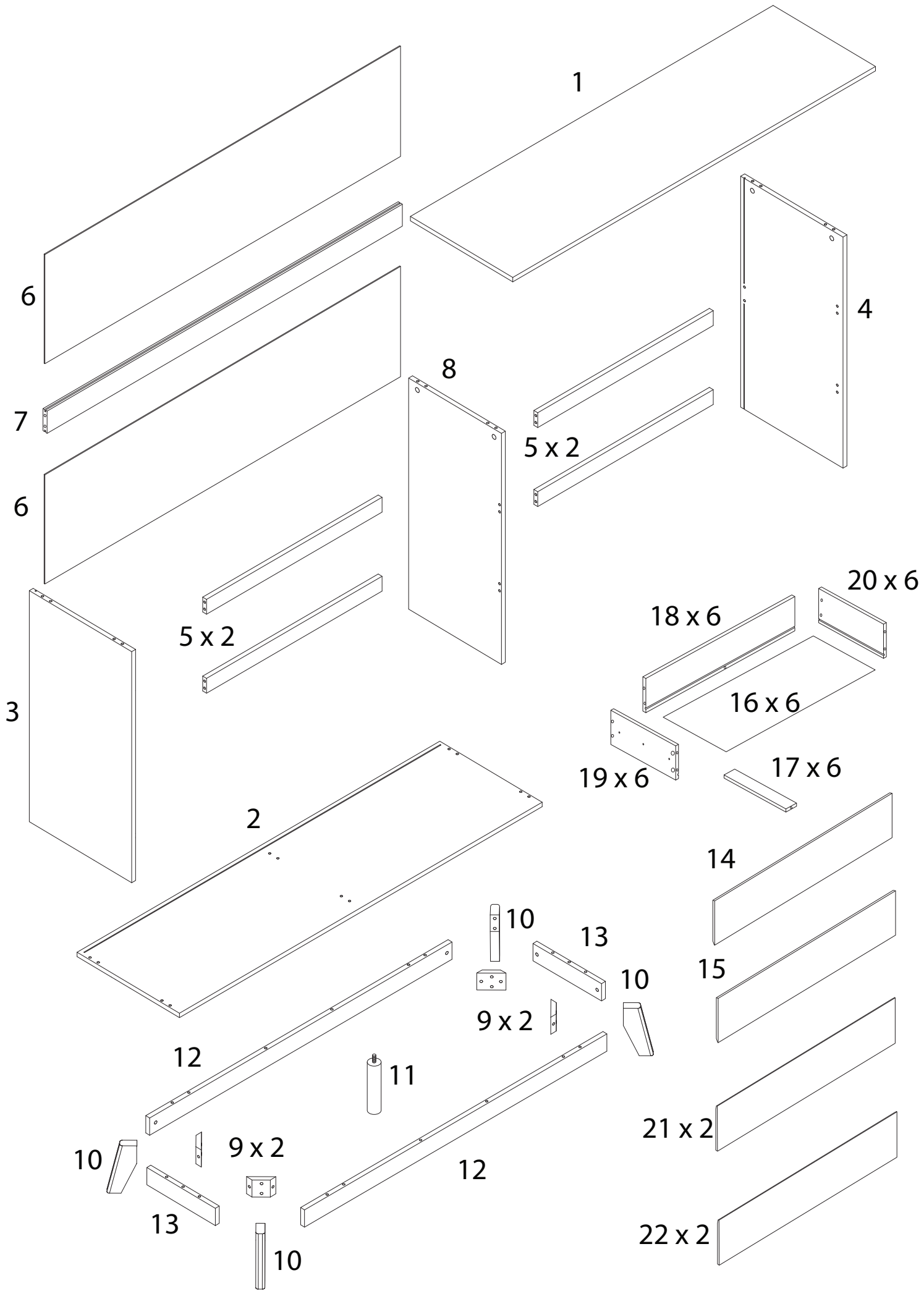


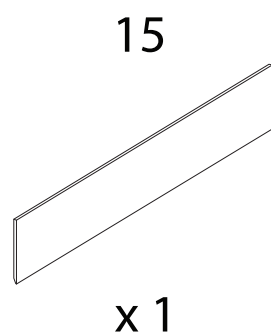
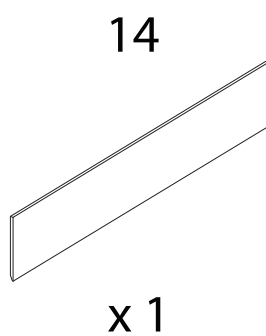
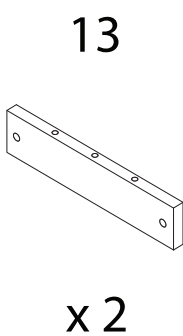
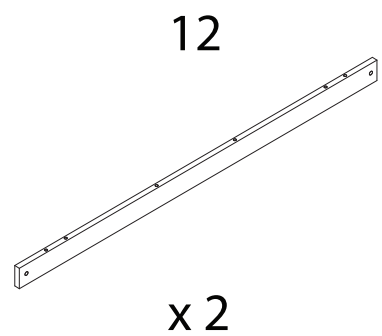
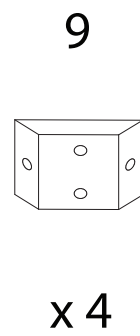
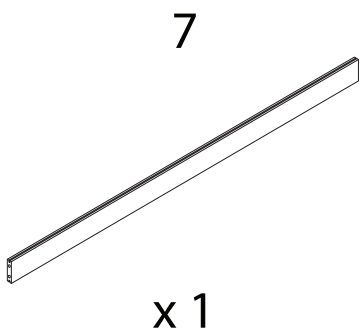
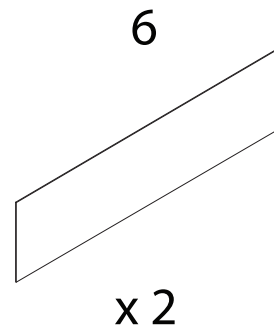
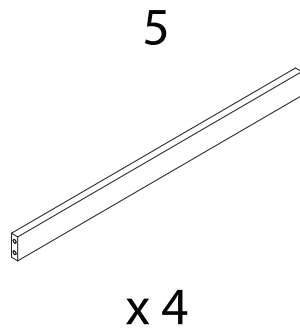
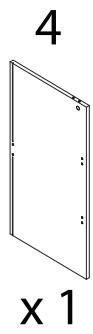
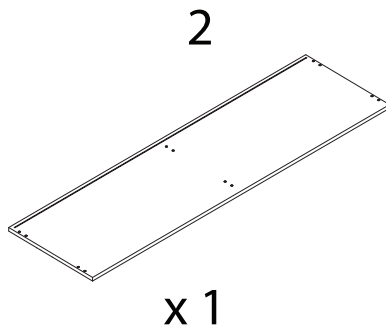
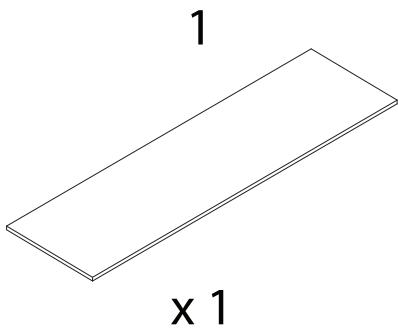


90'

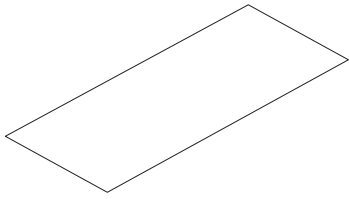


2



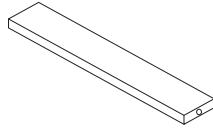


16



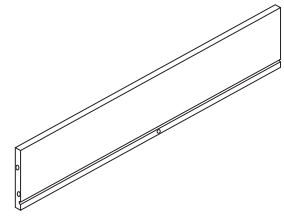
x 6

17



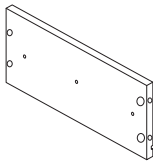
x 6

18



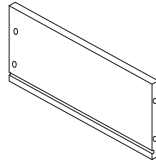
x 6

19



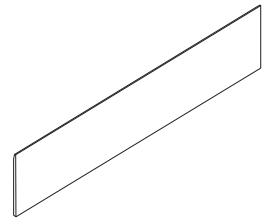
x 6

20



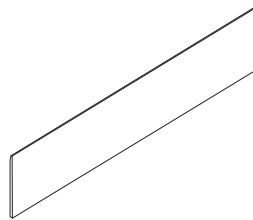
x 6

21



x 2

22



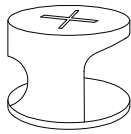
x 2

A



x 41

B



x 41

C



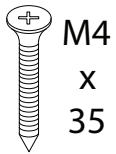
x 28

D



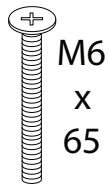
x 4

E



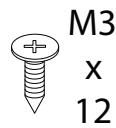
x 36

F



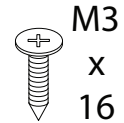
x 8

G



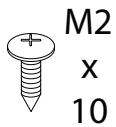
x 72

H



x 12

J1



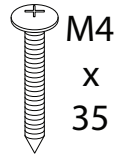
x 2

J2



x 2

J3



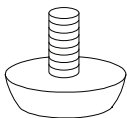
x 2

J4



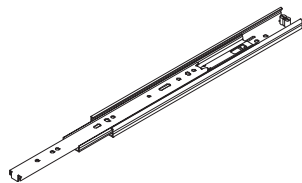
x 2

K



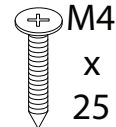
x 1

L



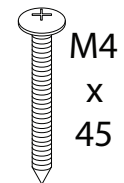
x 12

M



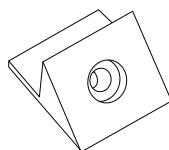
x 8

N



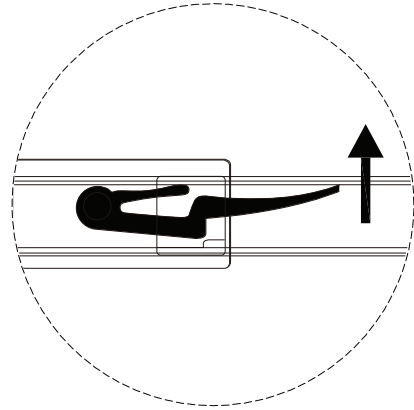
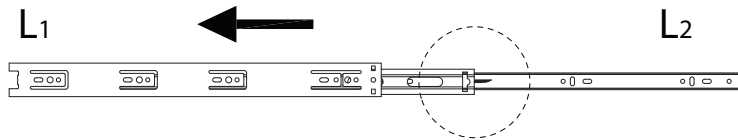
x 10

U

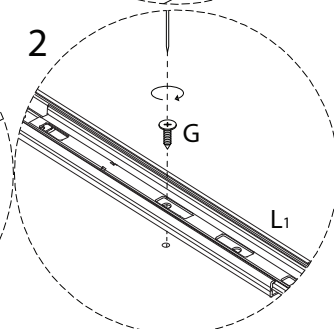
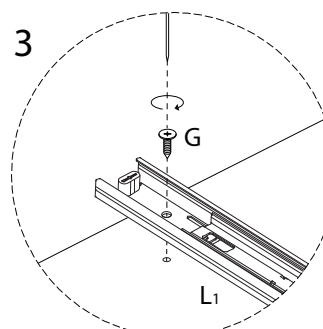
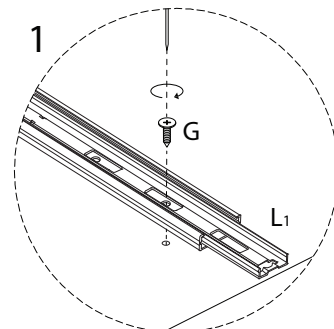
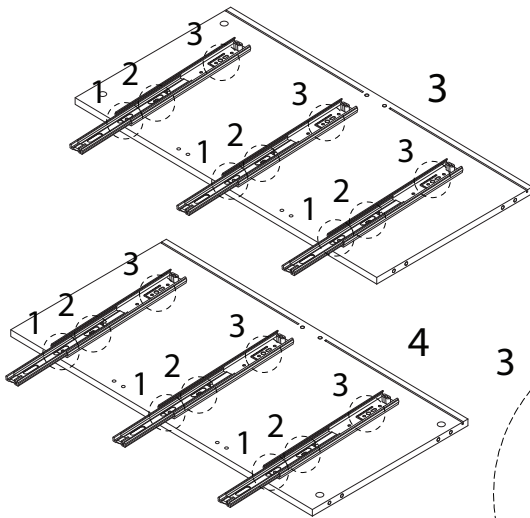
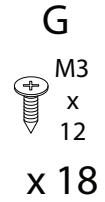
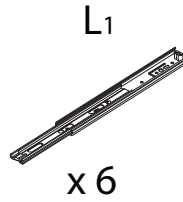


x 12

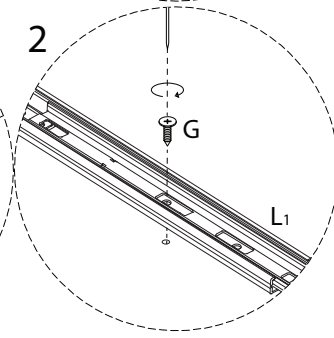
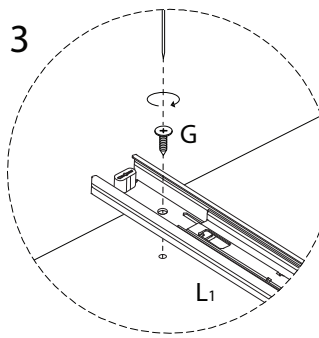
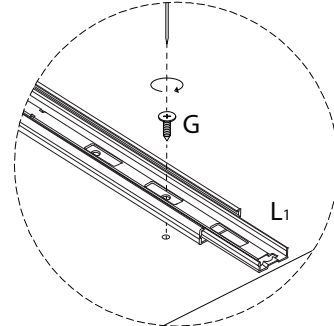
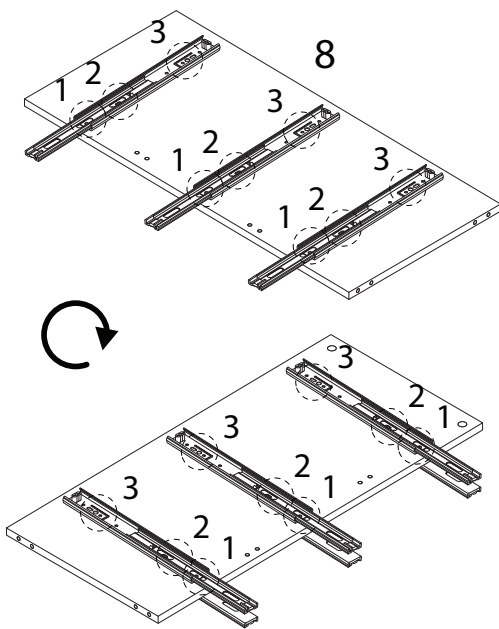
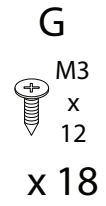
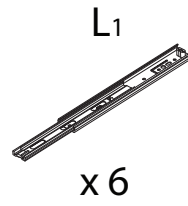
!



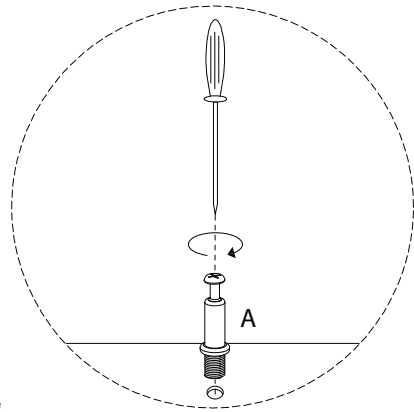
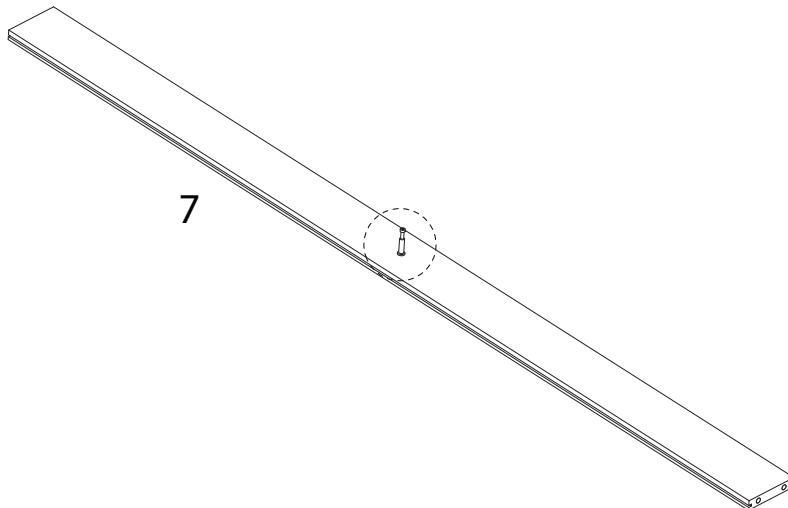
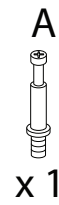
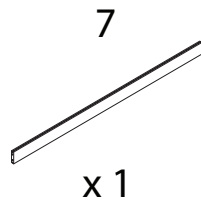
1



2



3



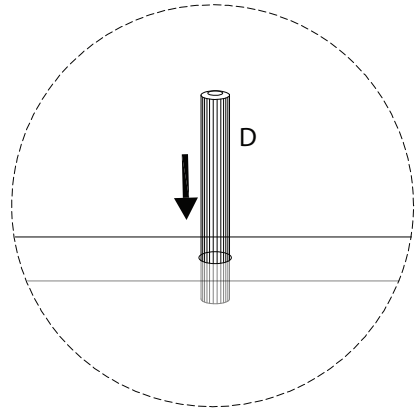
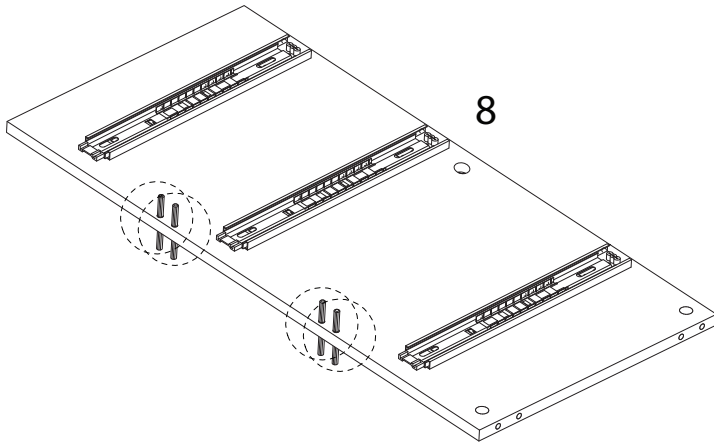


4

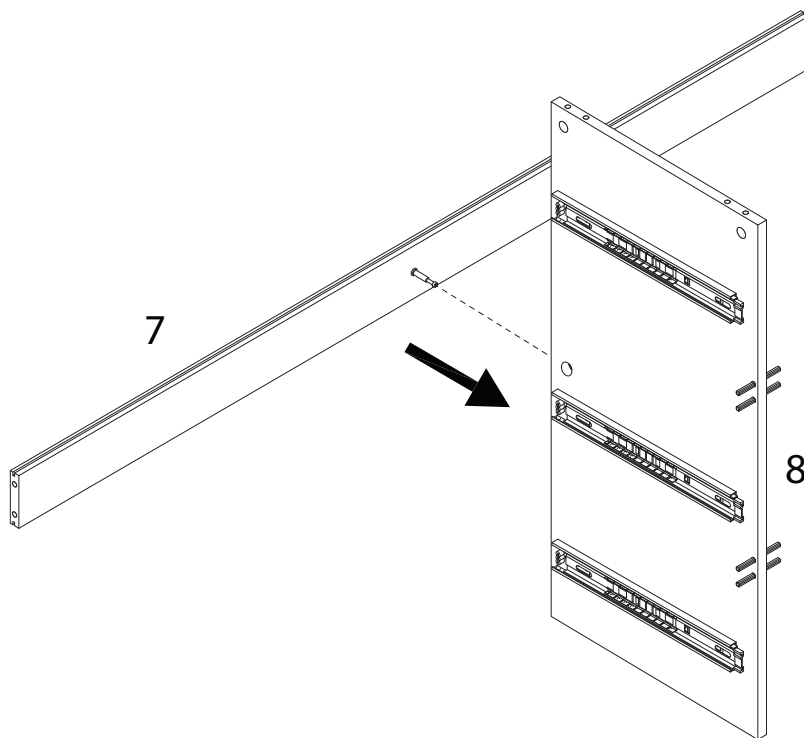
D



x 4



5

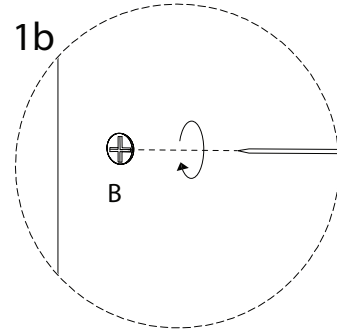
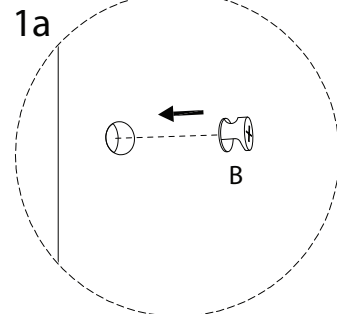
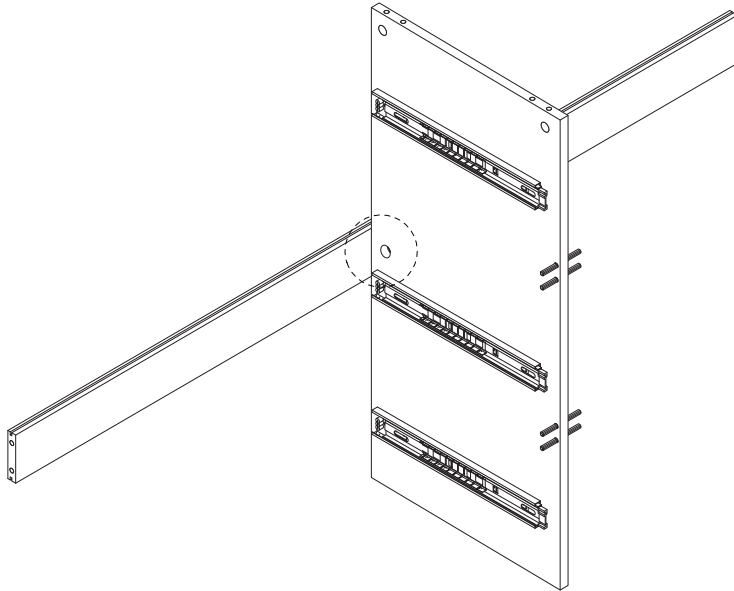


6

B

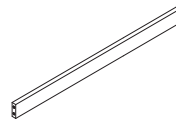


x 1

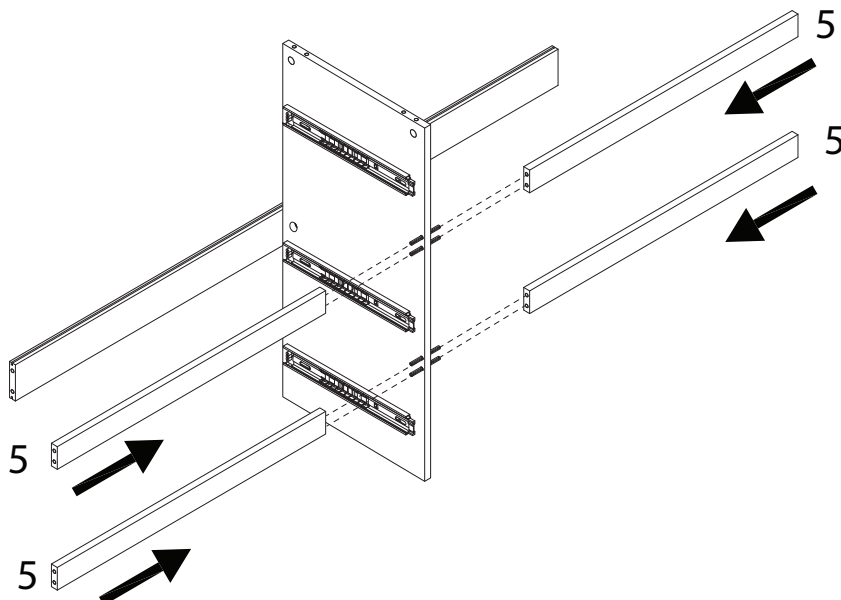


7

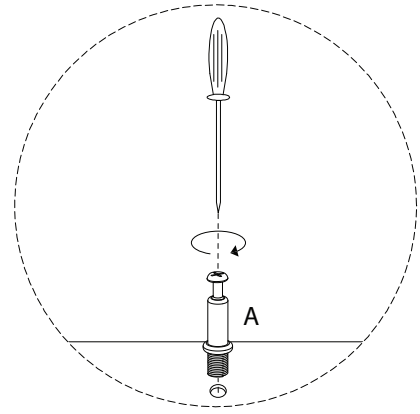
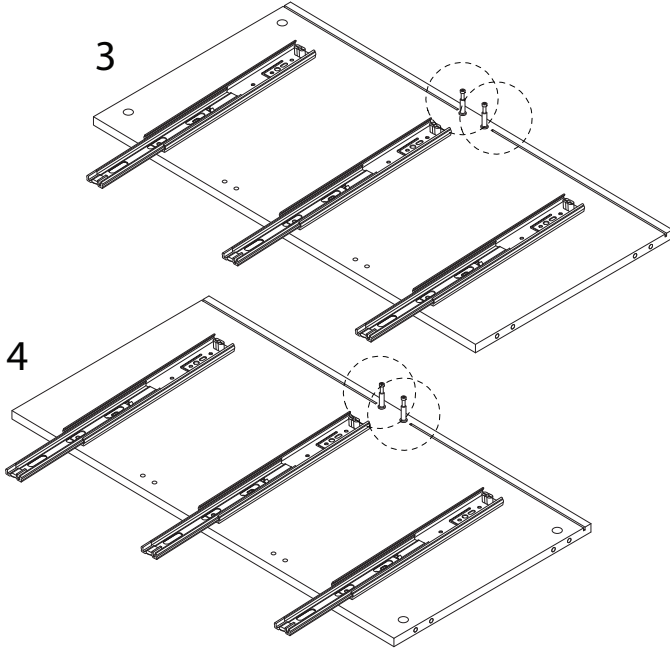
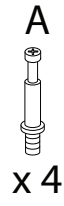
5



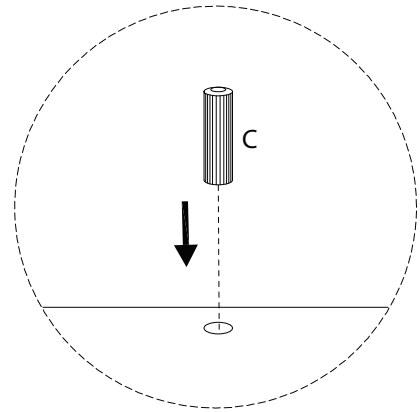
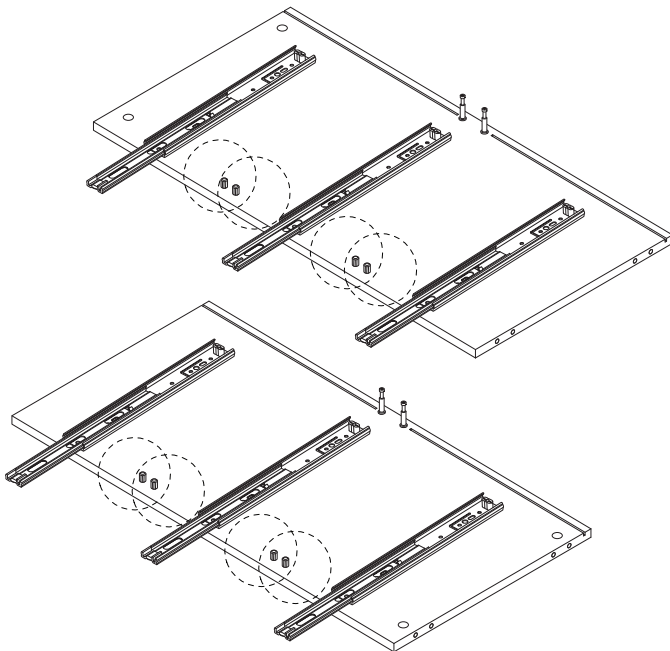
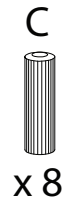
x 4



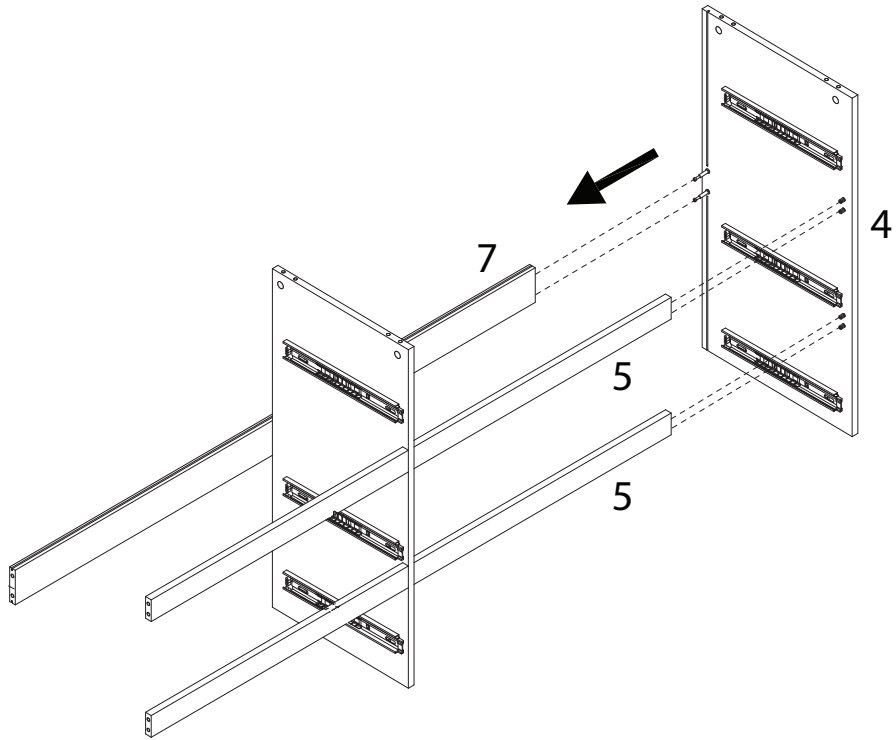
8



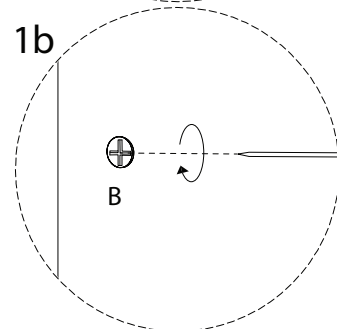
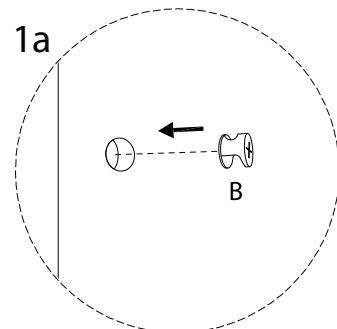
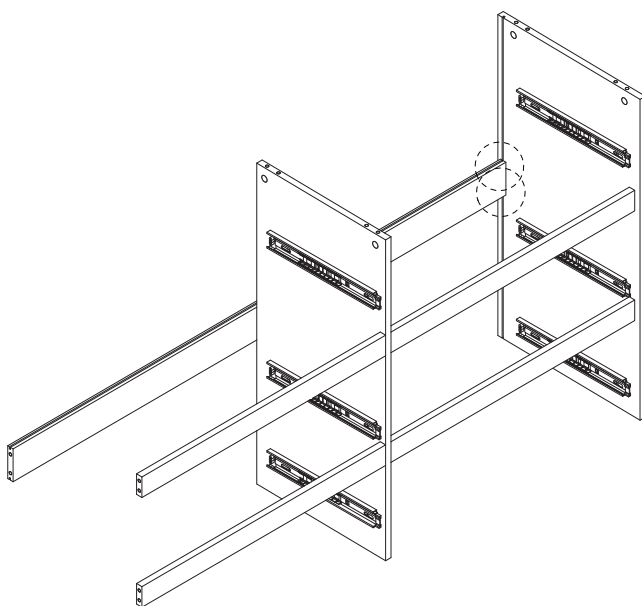
9



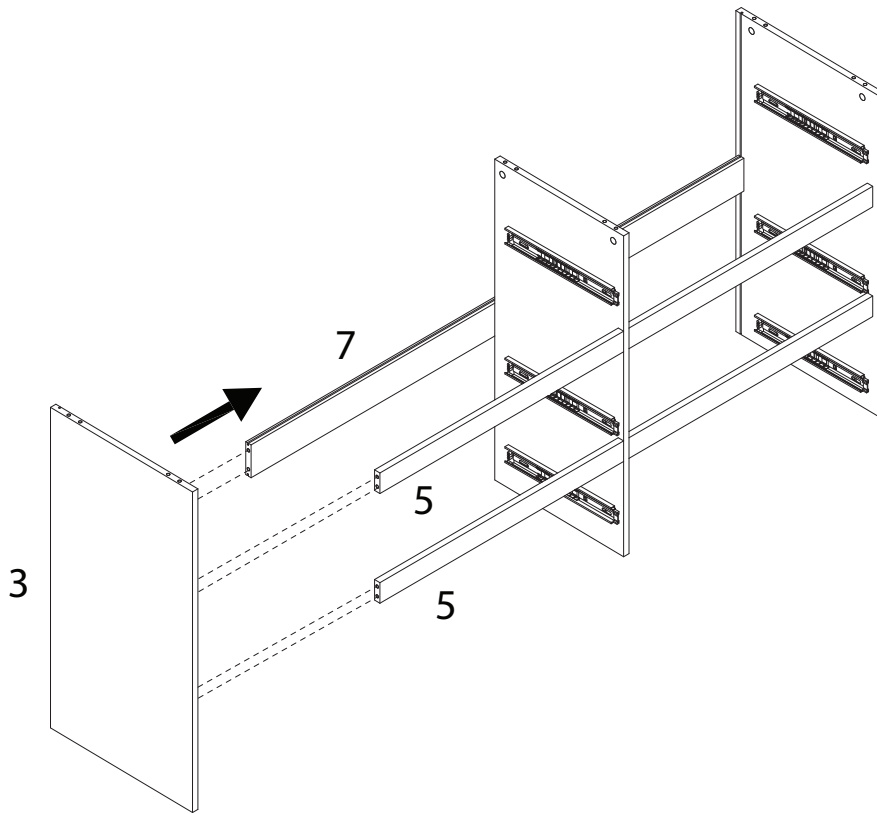
10



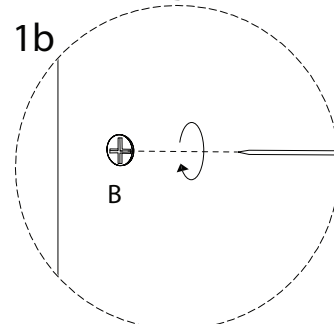
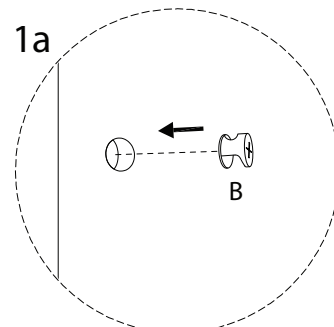
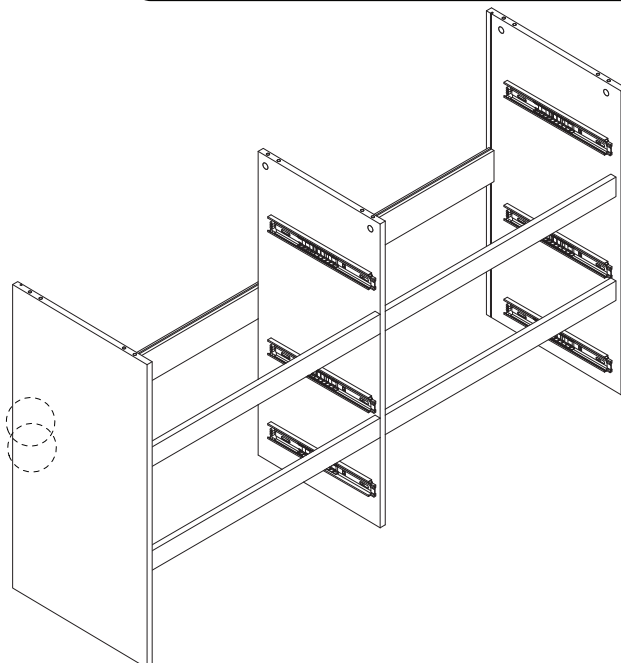
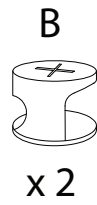
11



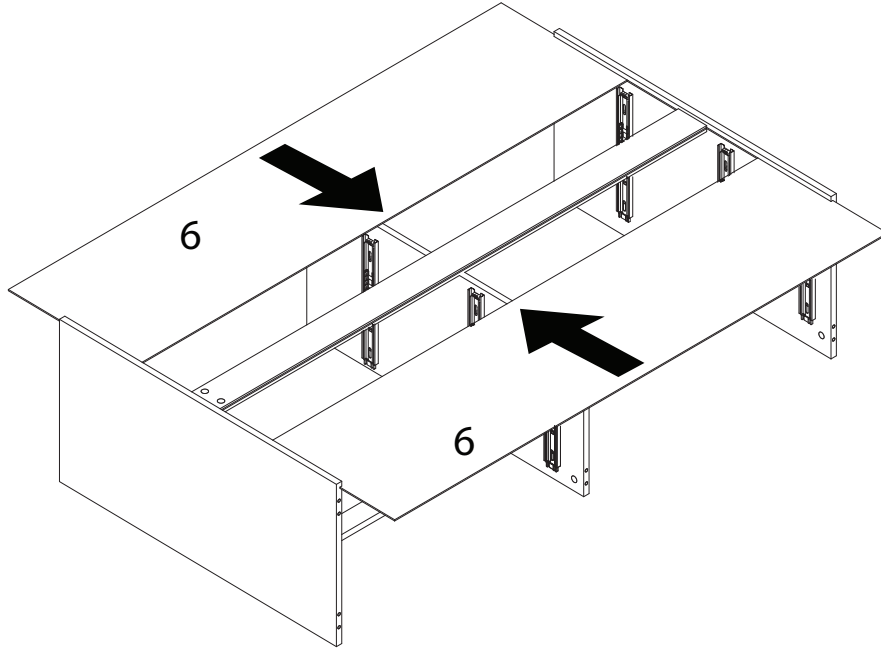
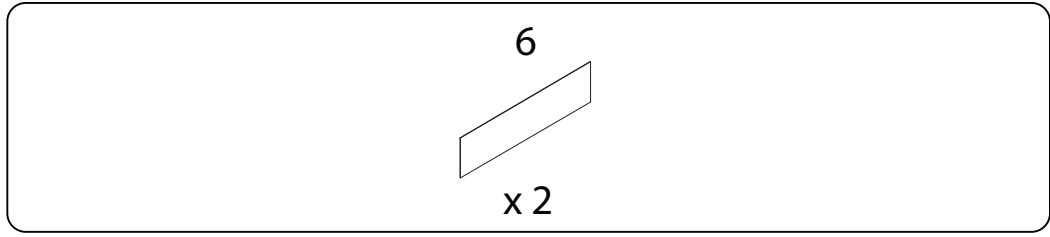
12



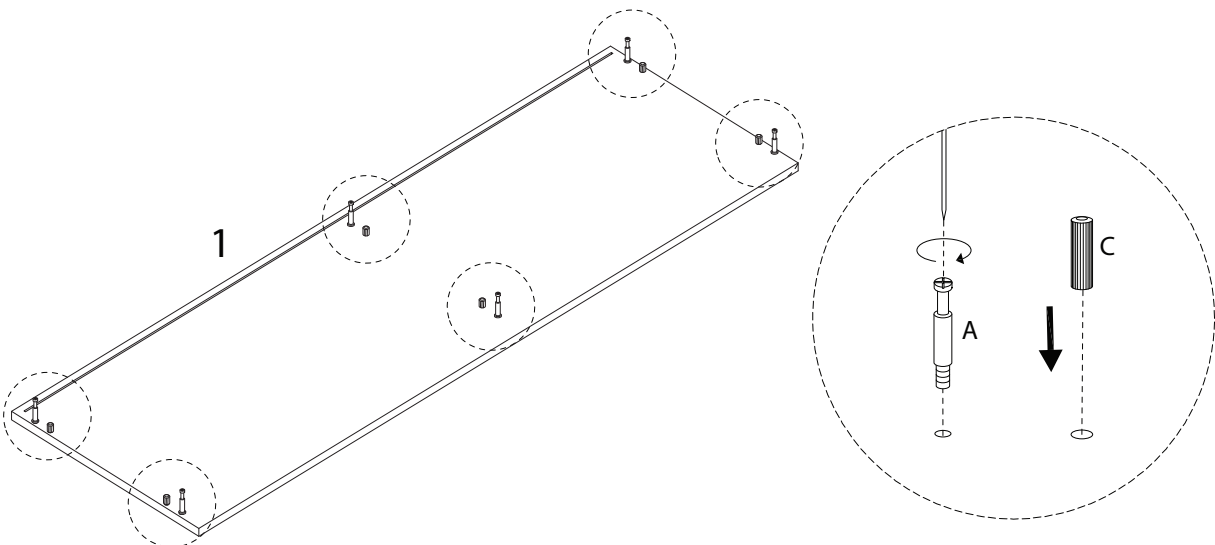
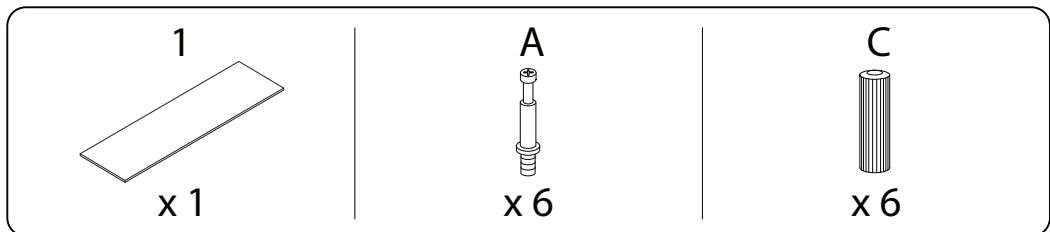
13



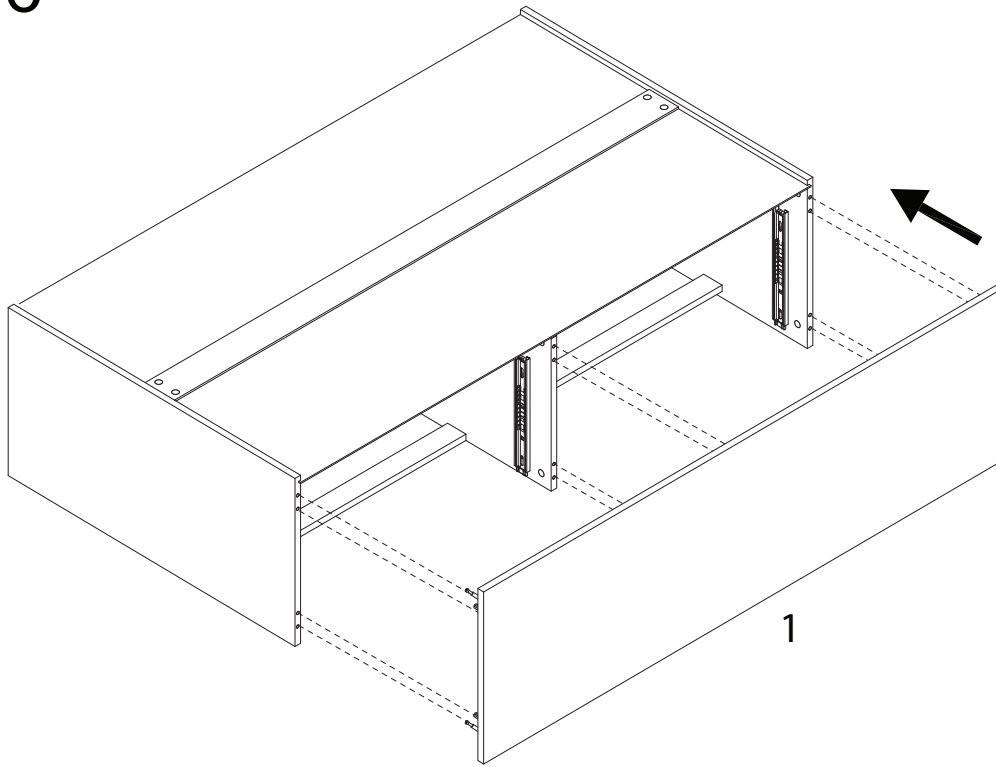
14



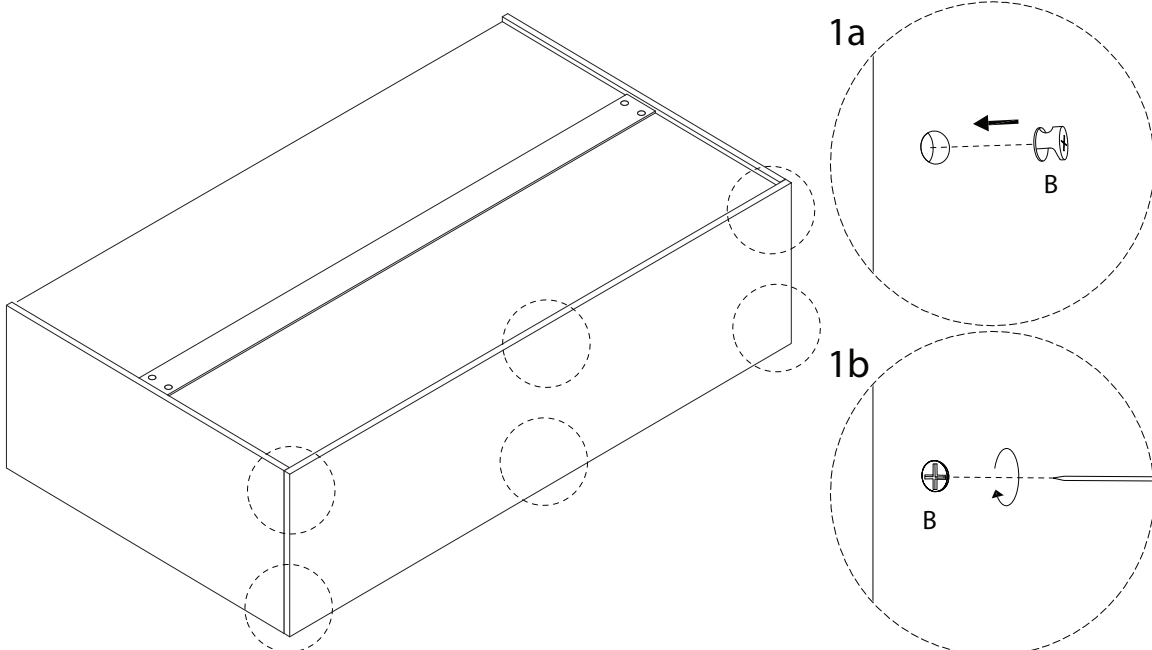
15



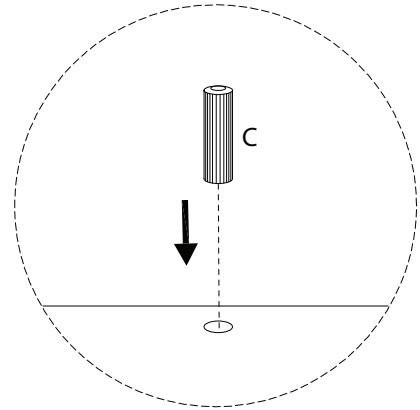
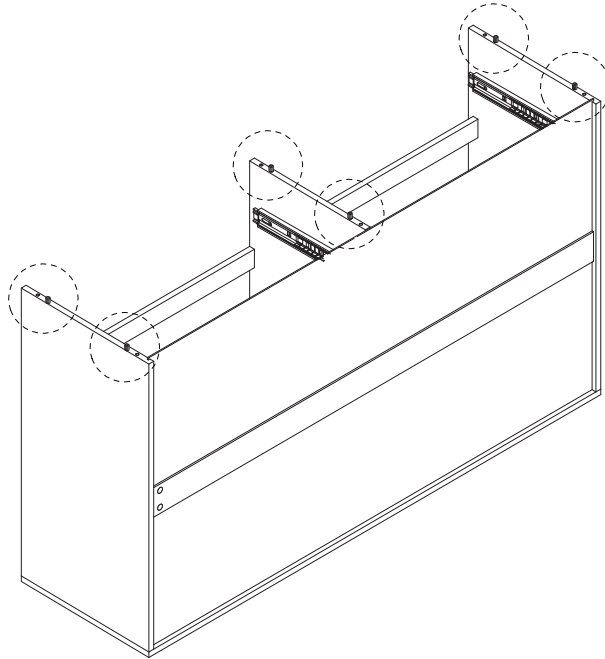
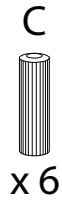
16



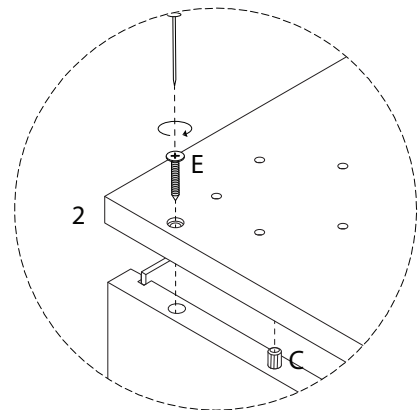
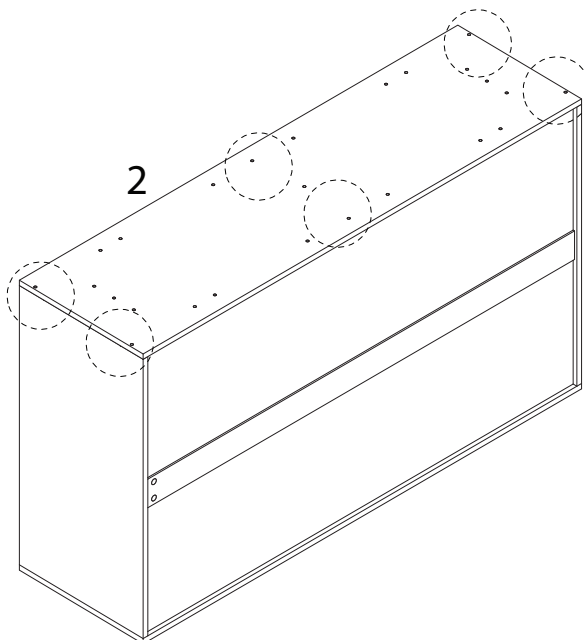
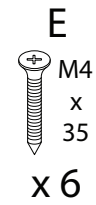
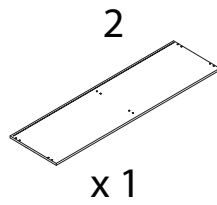
17



18

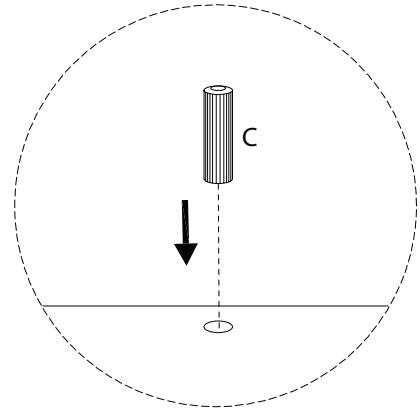
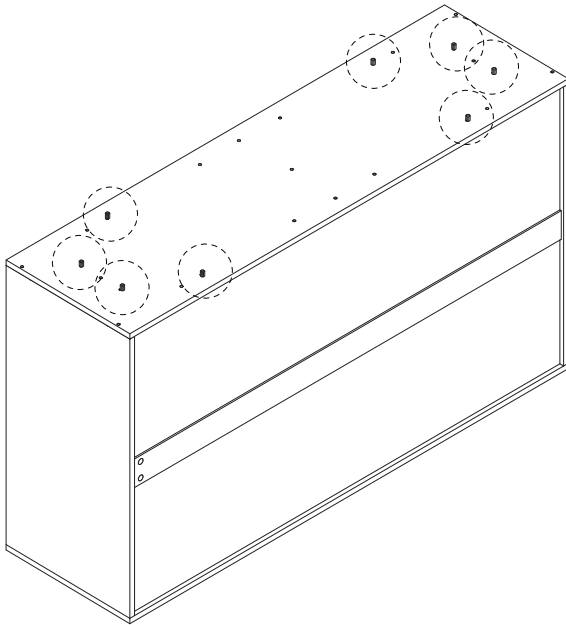
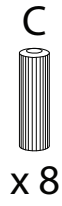


19

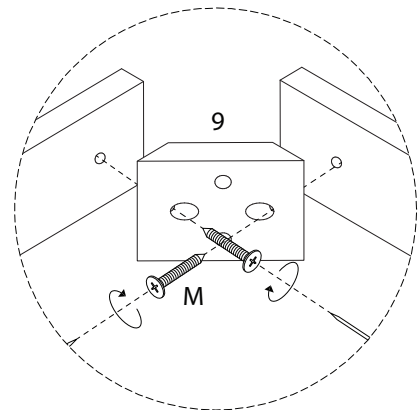
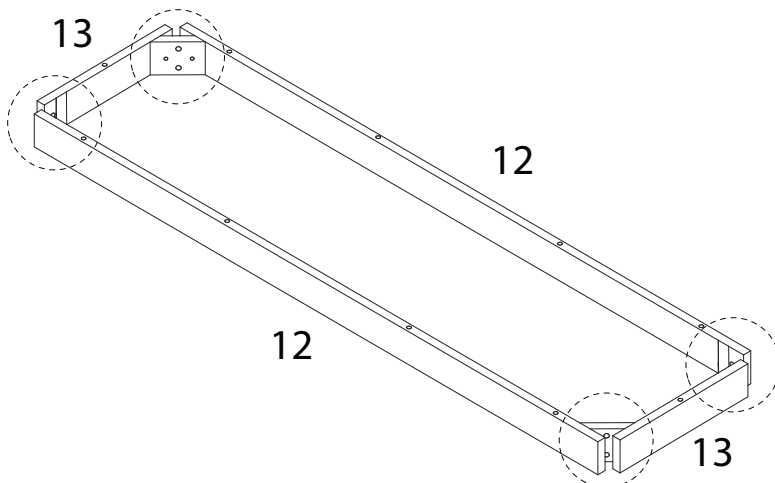
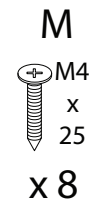
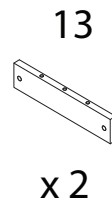
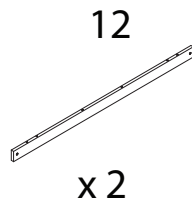
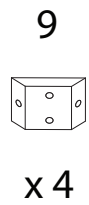





20

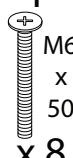


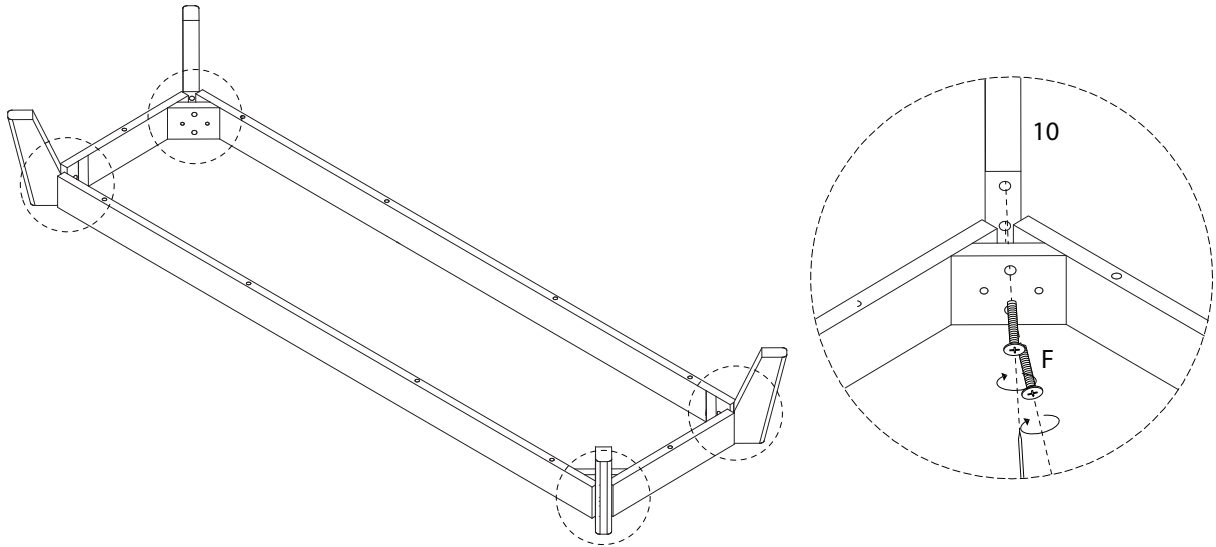
21



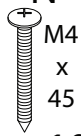
22

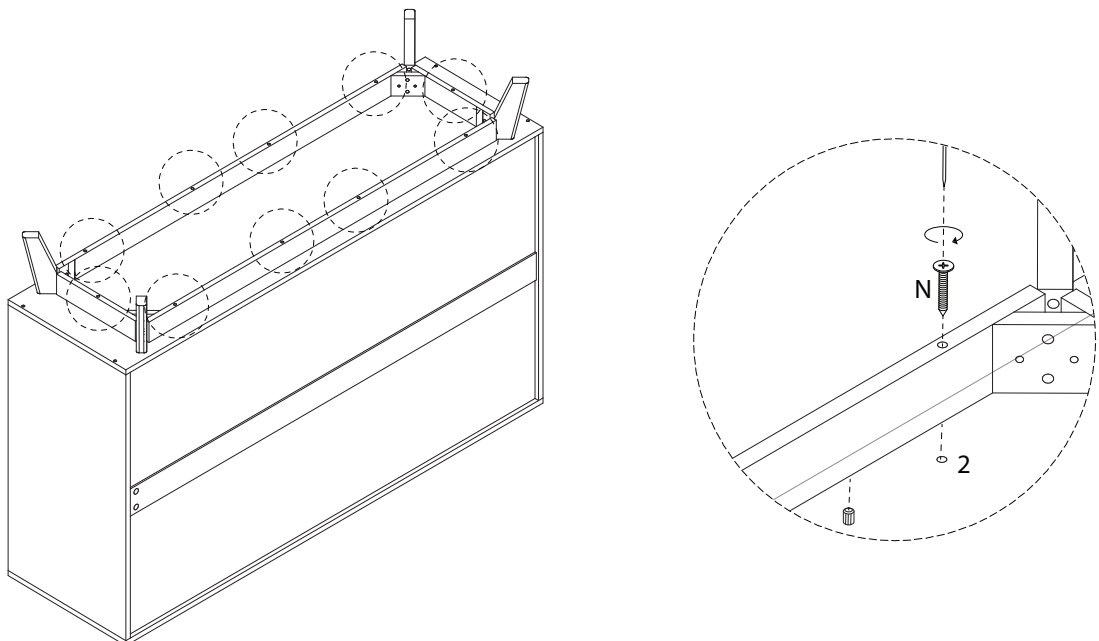
10  
  
x 4

F  
  
M6  
x 50  
x 8



23

N  
  
M4  
x 45  
x 10



24

11

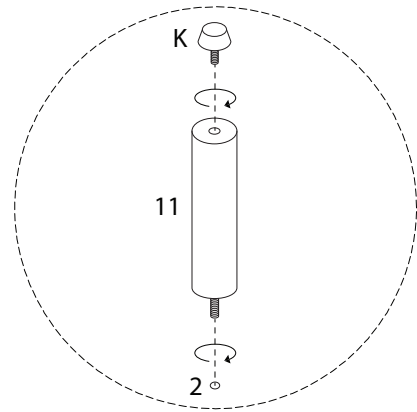
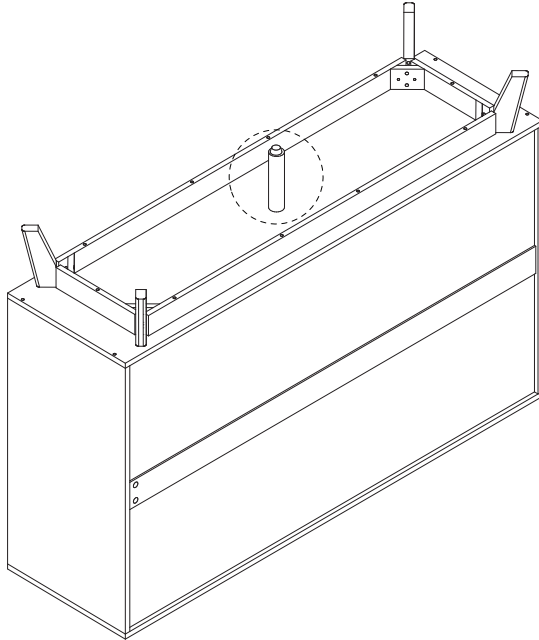


x 1

K



x 1



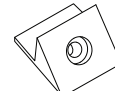
25

H

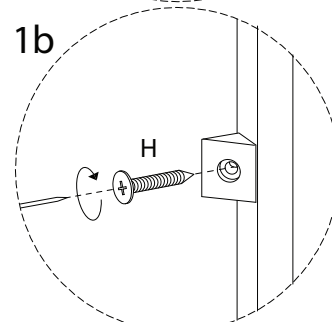
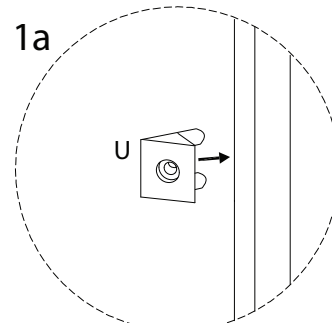
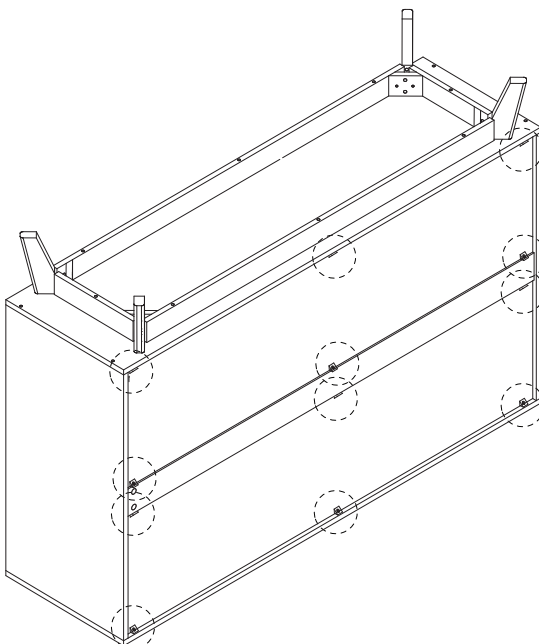


x 12

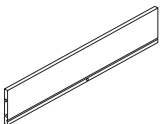
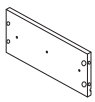
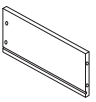
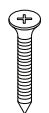
U

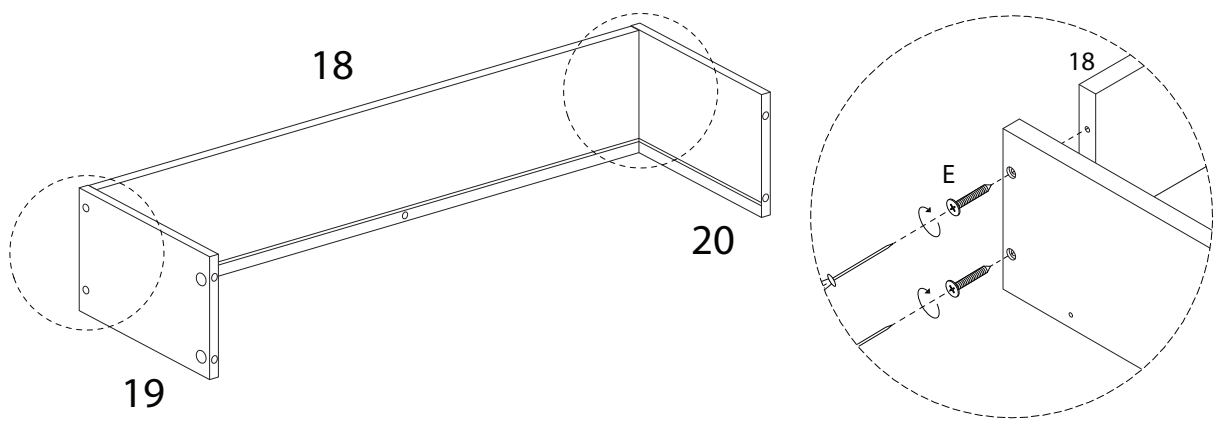


x 12

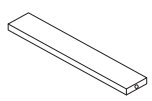
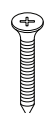


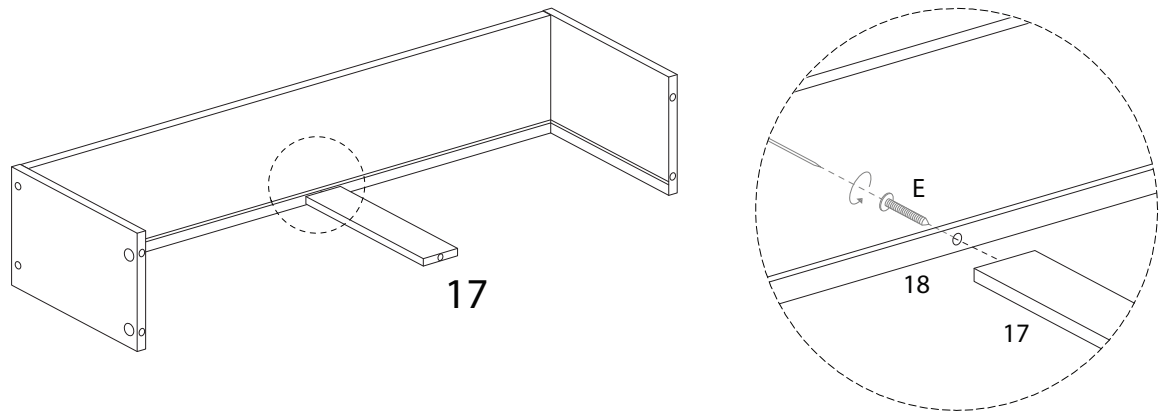
26 x 6

<p>18</p>  <p>x 1</p>	<p>19</p>  <p>x 1</p>	<p>20</p>  <p>x 1</p>	<p>E</p>  <p>M4 x 35</p> <p>x 4</p>
--	--	---	--

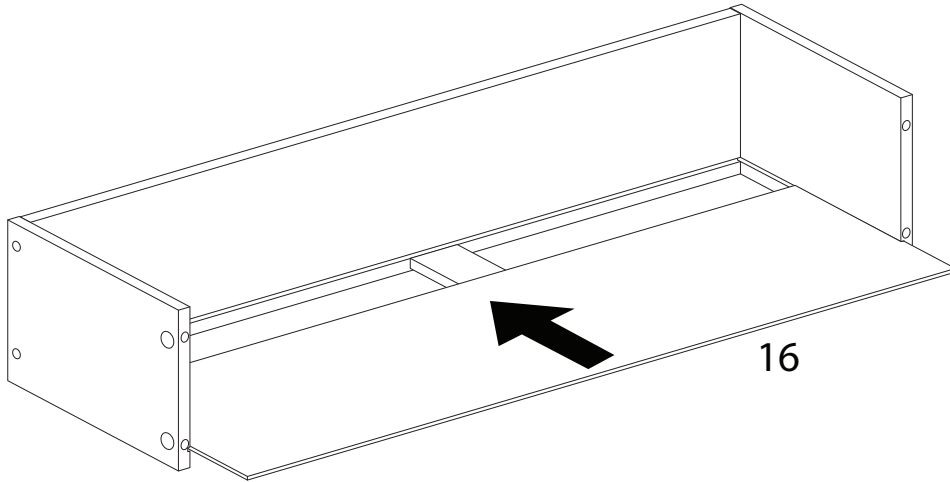
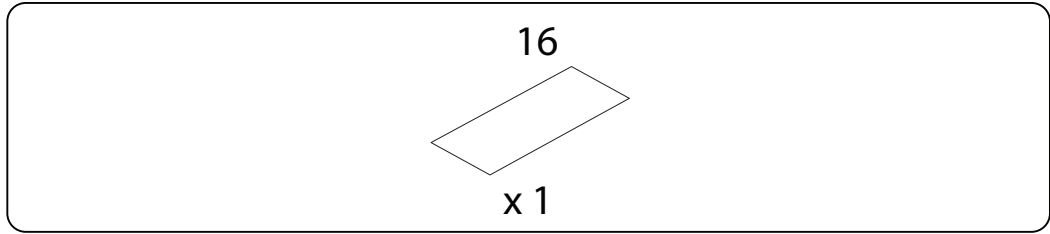


27 x 6

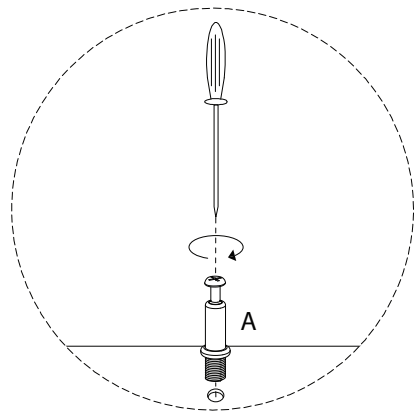
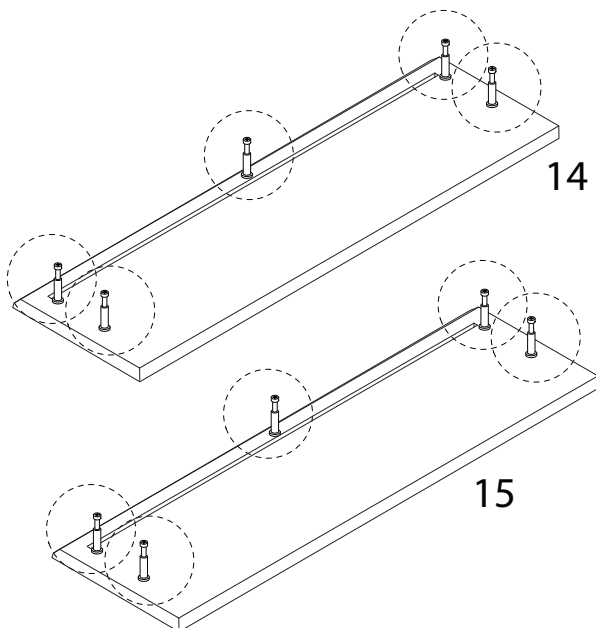
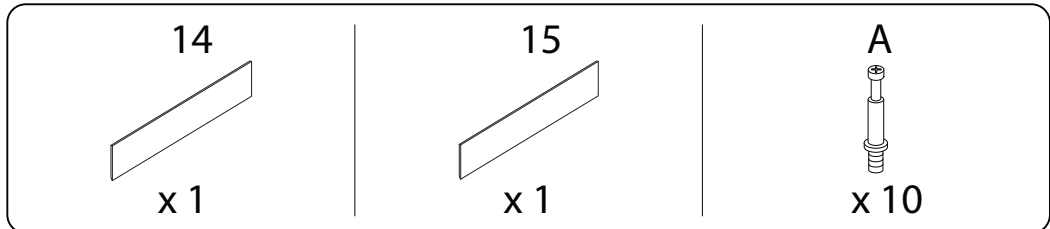
<p>17</p>  <p>x 1</p>	<p>E</p>  <p>M4 x 35</p> <p>x 1</p>
--	--



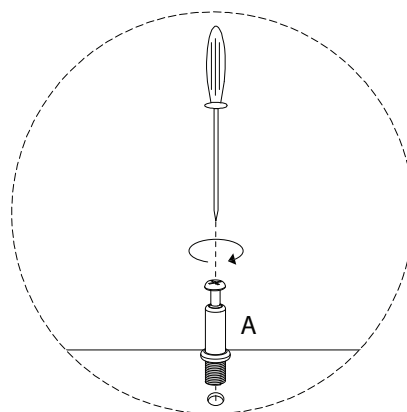
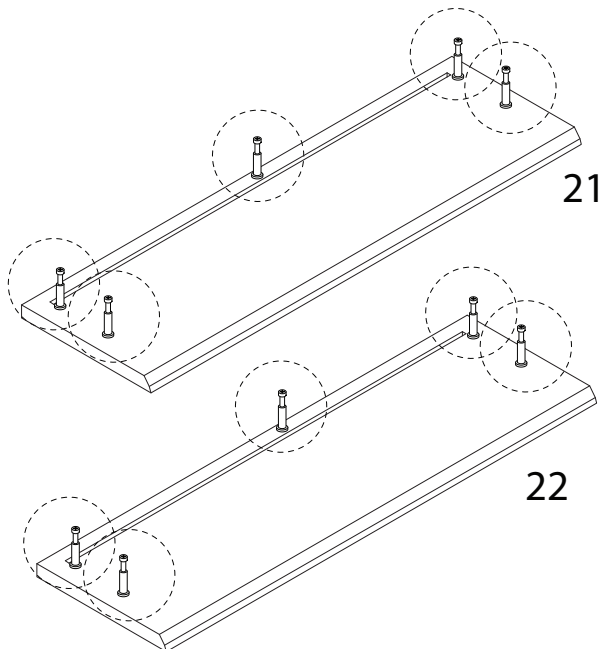
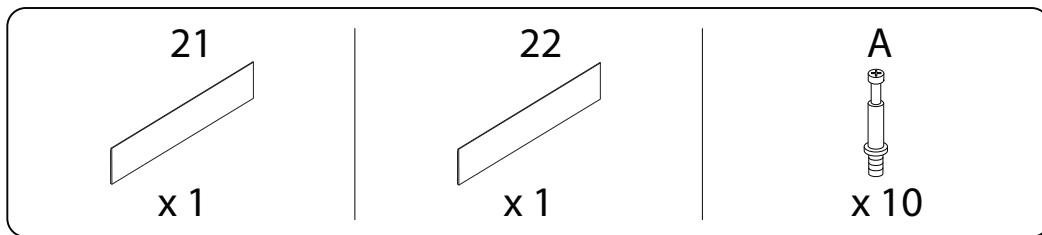
28 x 6



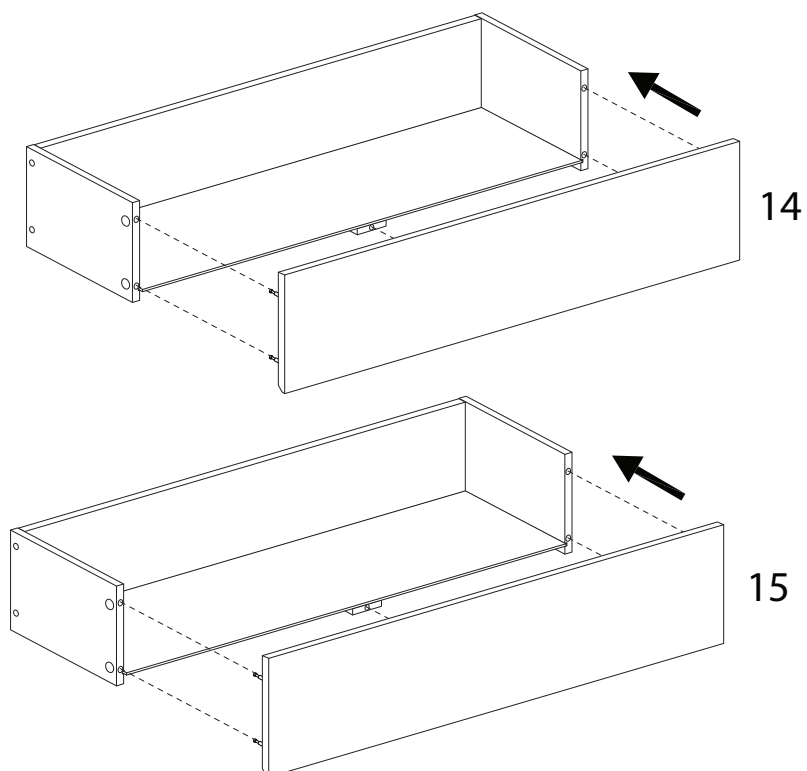
29



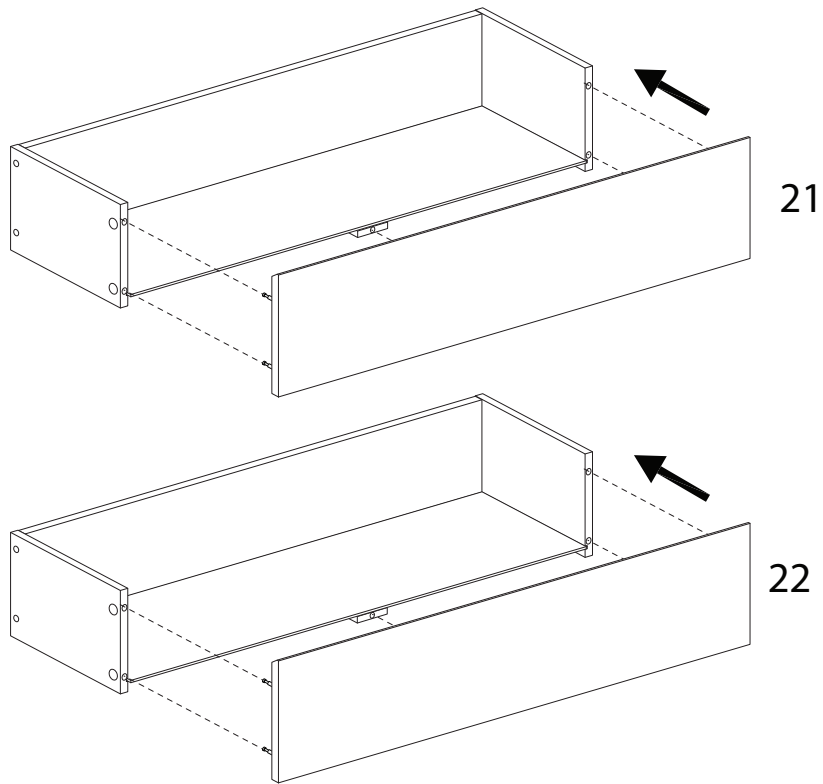
30 x 2



31



32 x 2

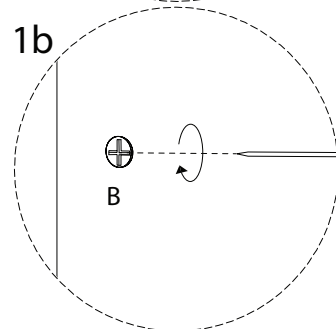
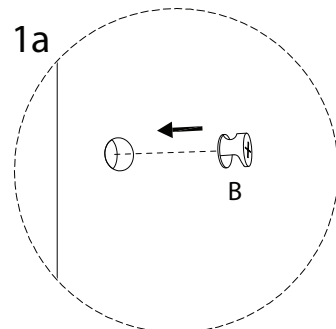
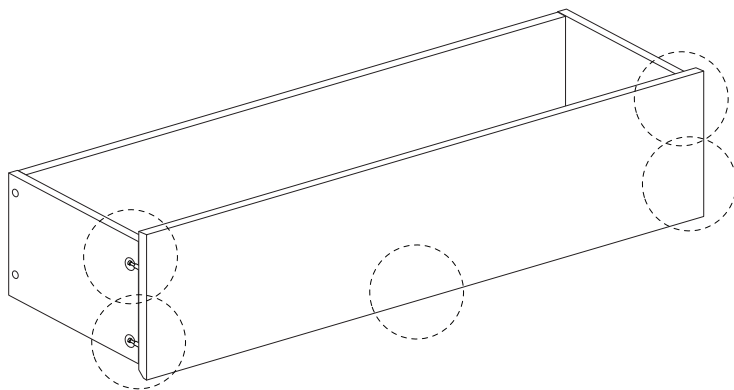


33 x 6

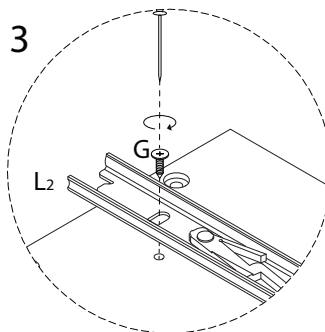
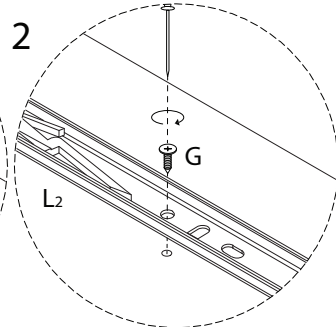
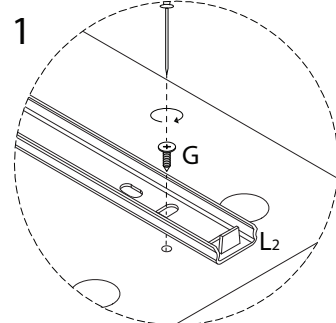
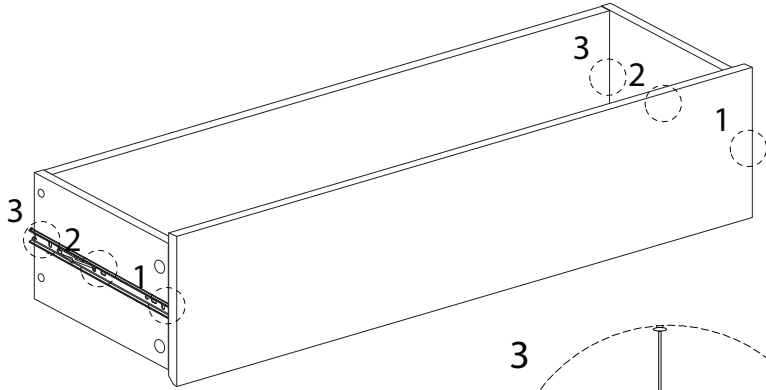
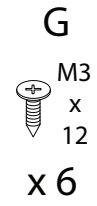
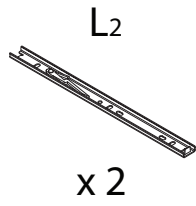
B



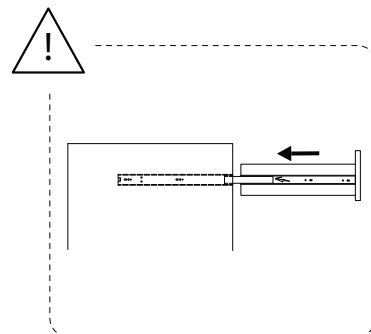
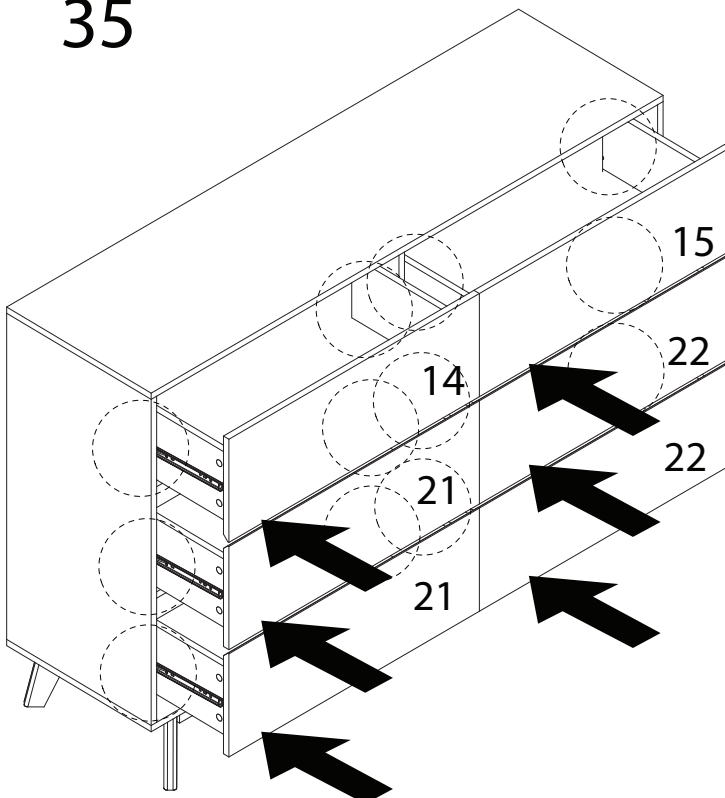
x 5



34 x 6



35





36

J1

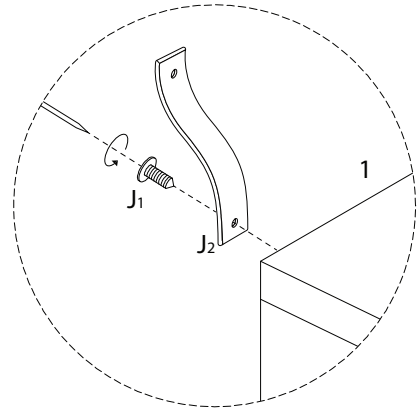
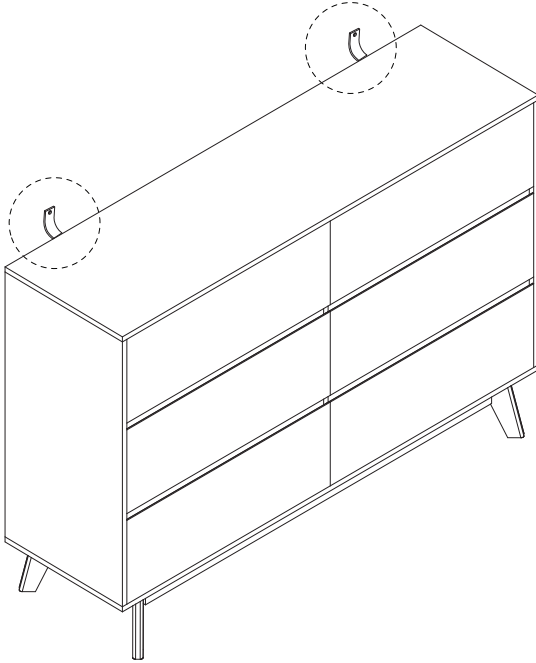


x 2

J2

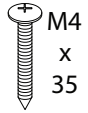


x 2



37

J3



x 2

J4



x 2

