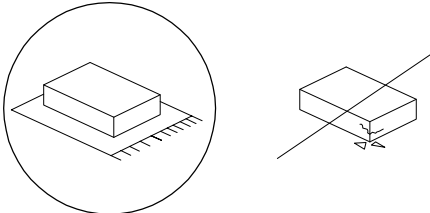
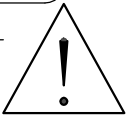

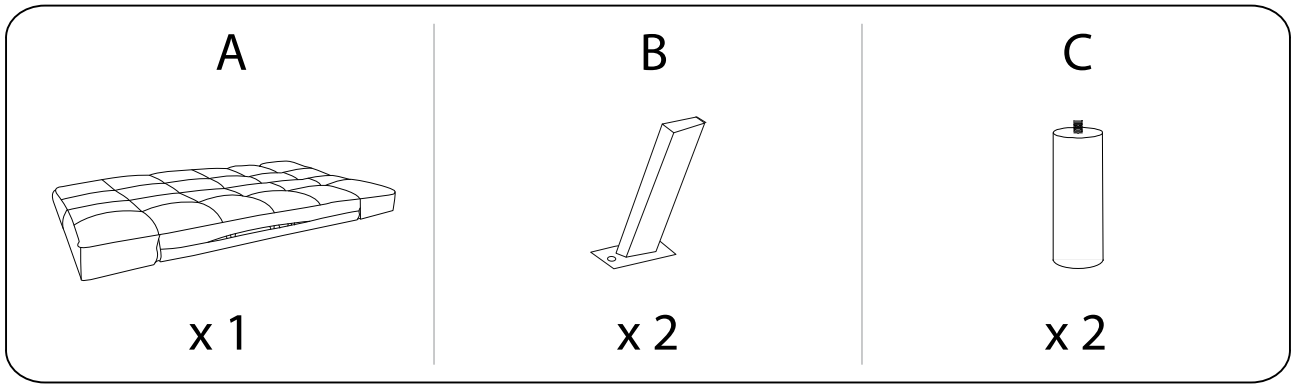
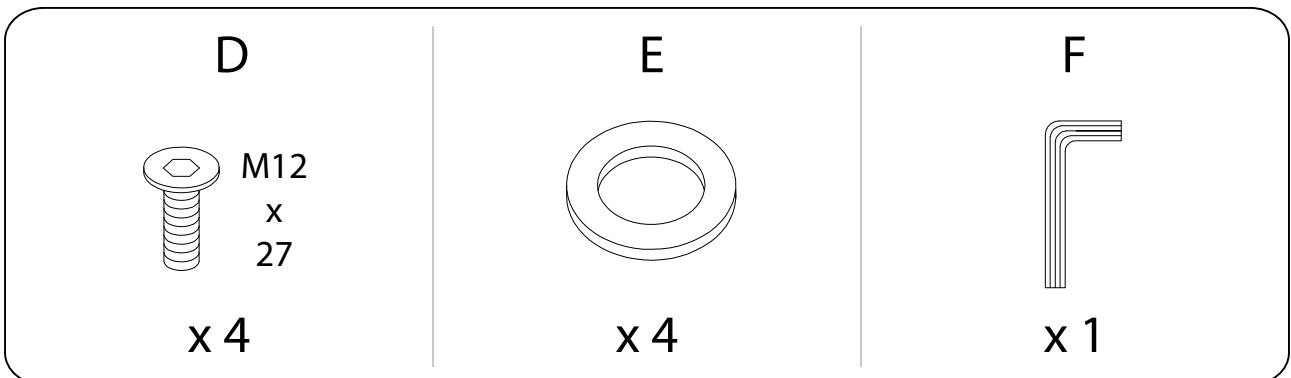
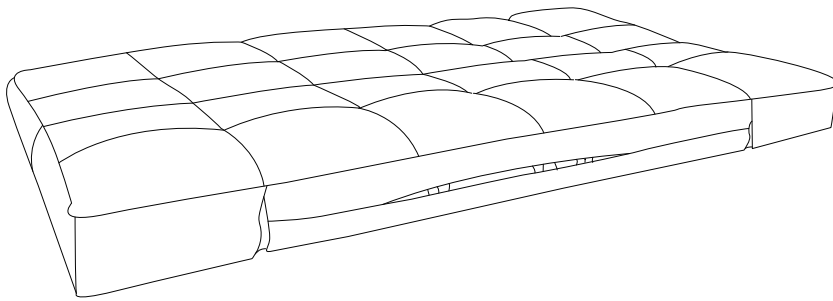
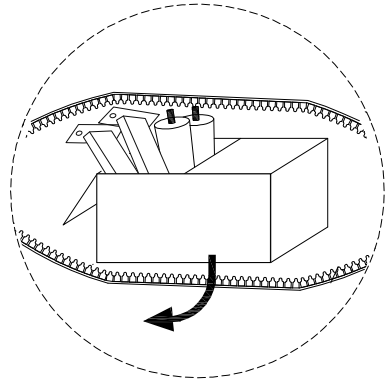
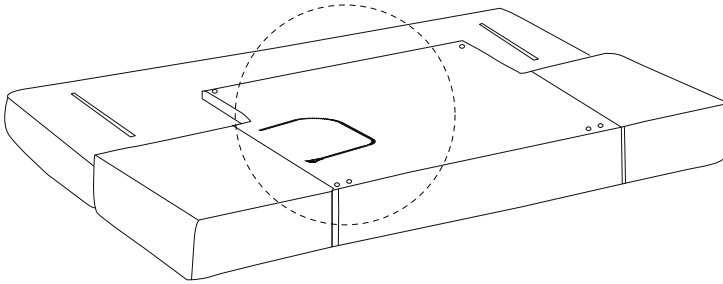
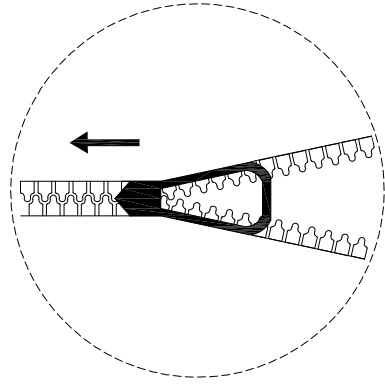

		15'
		
		1



**A x 5**

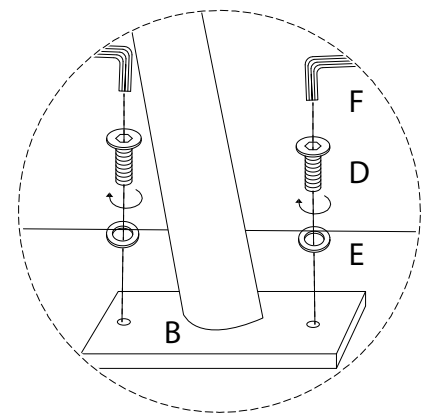
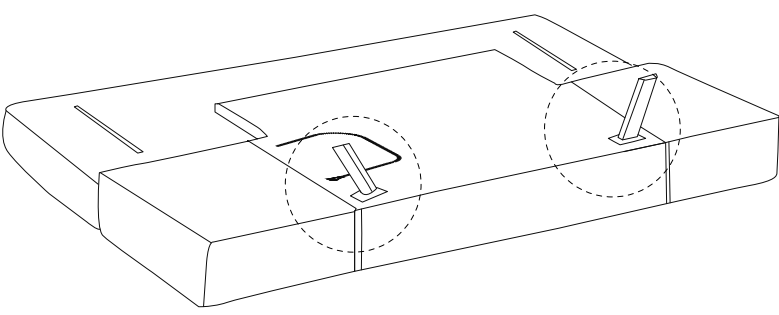


!



1

<b>B</b>  x 2	<b>D</b>  M12 x 27 x 4	<b>E</b>  x 4	<b>F</b>  x 1
---------------------	---------------------------------------	---------------------	---------------------



2

C



x 2

