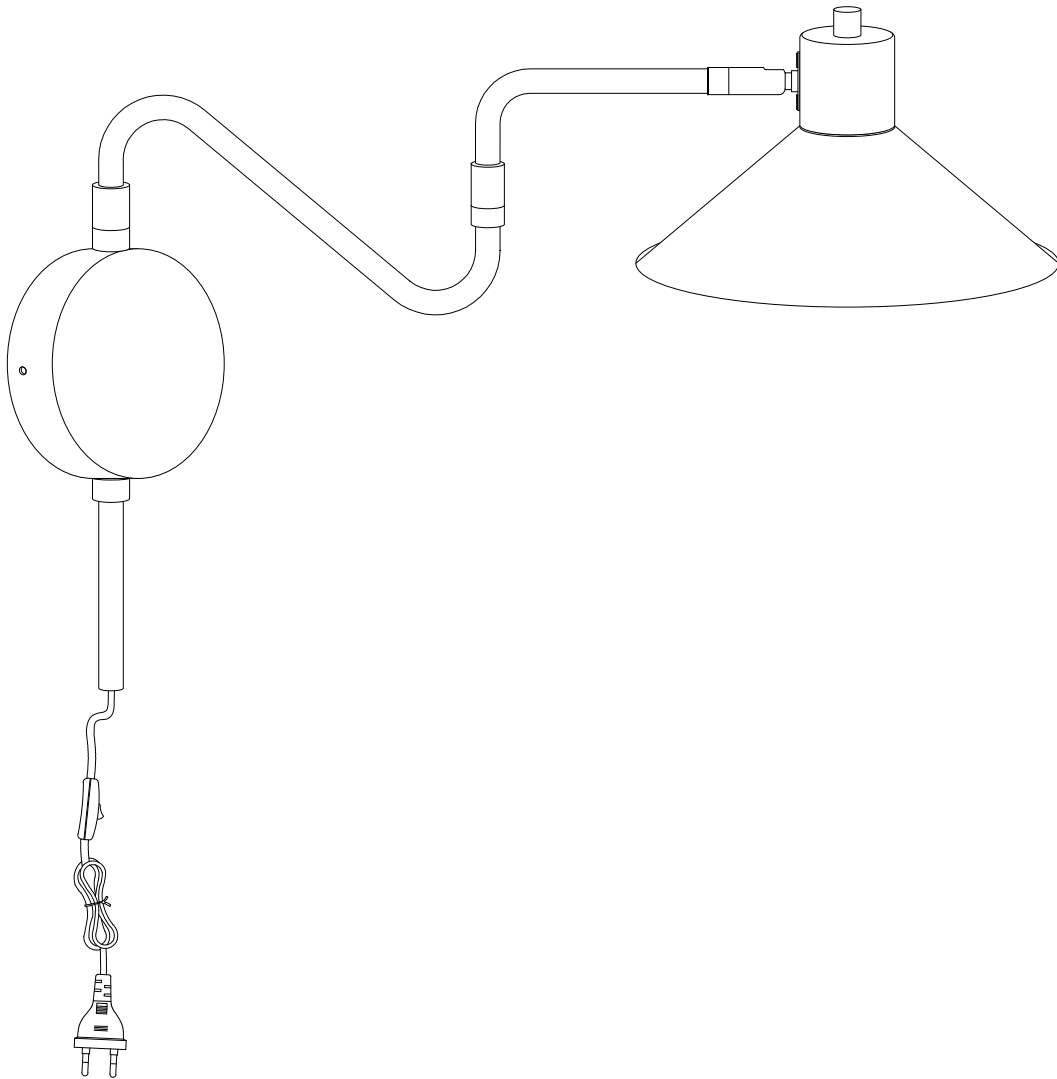
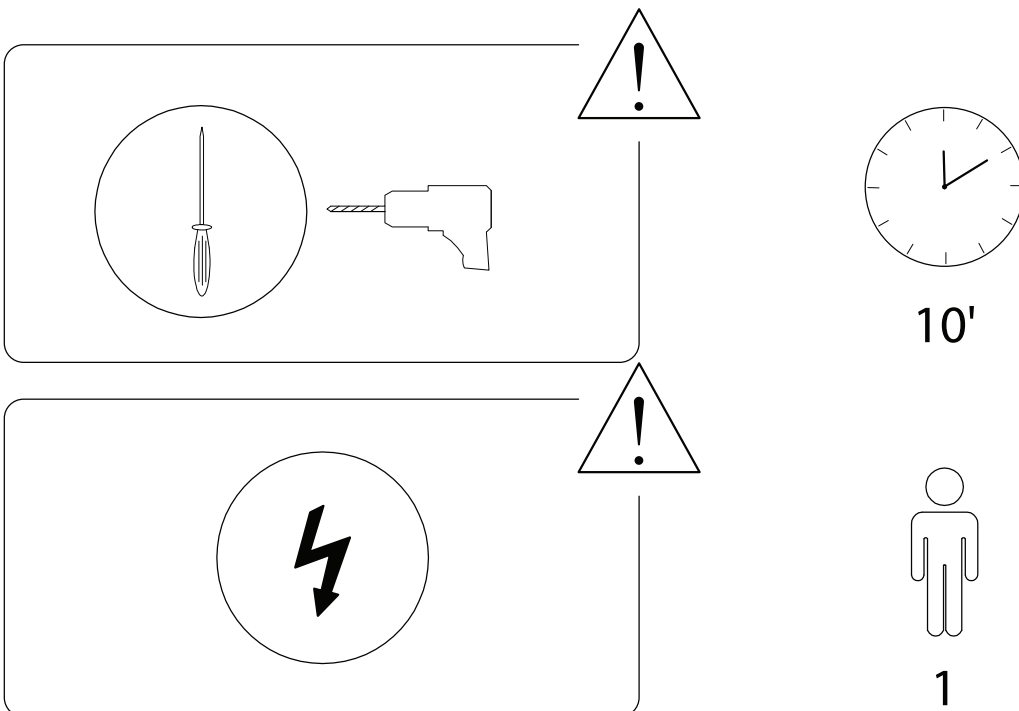
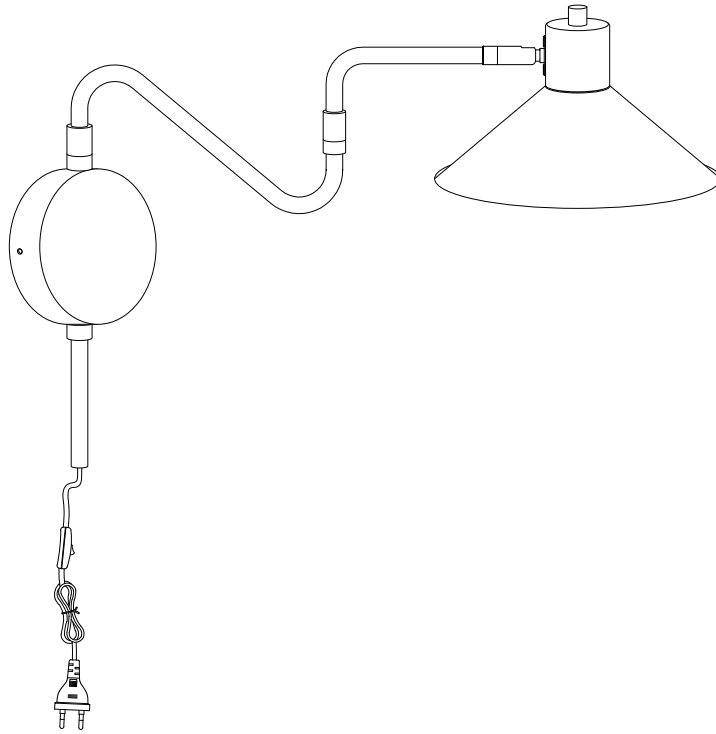
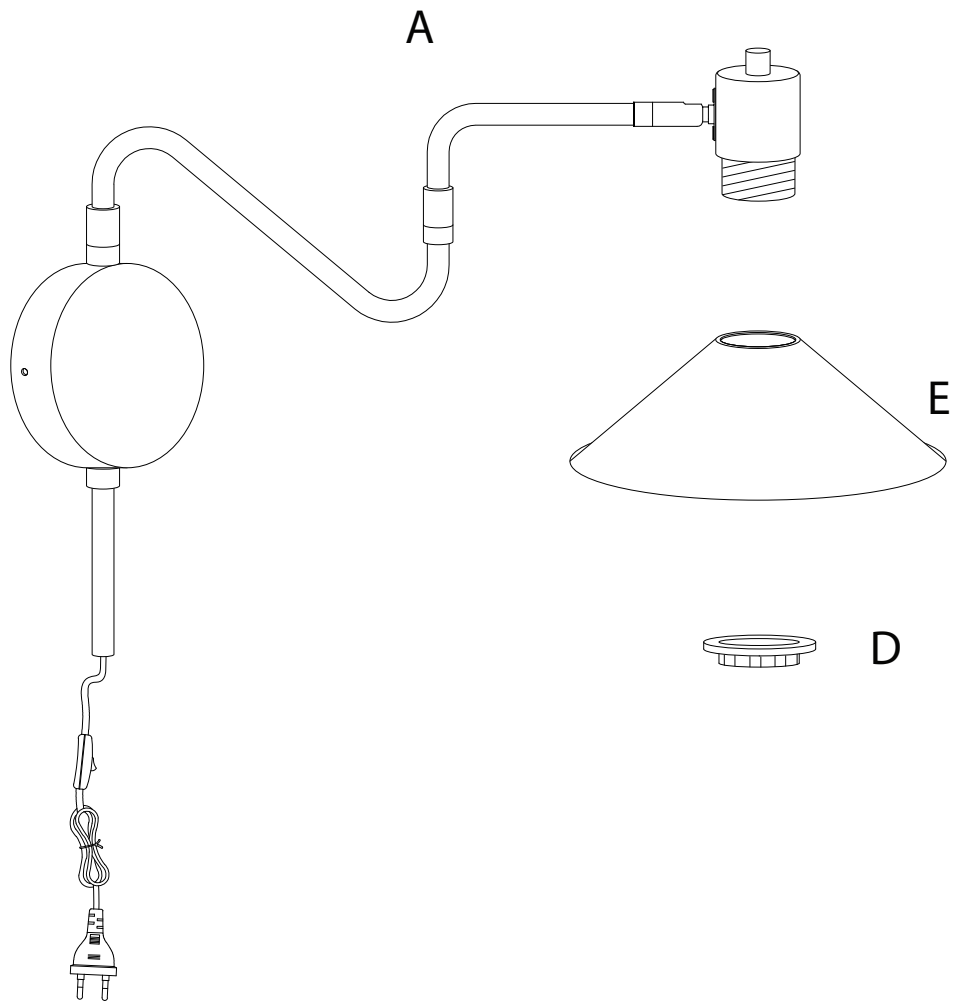


BALIEM

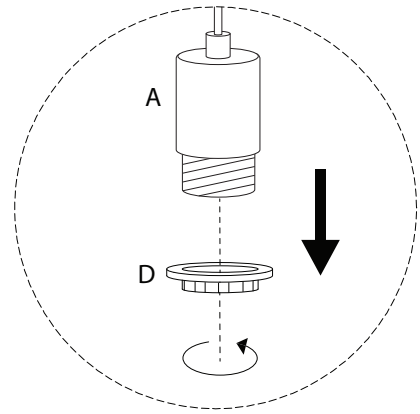
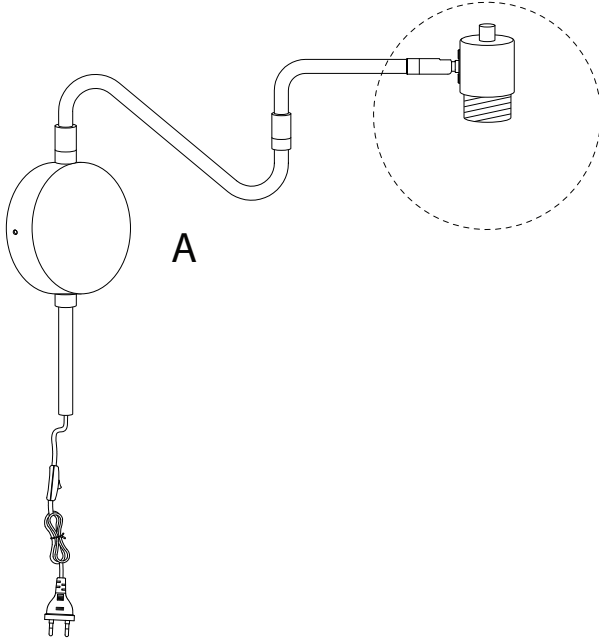
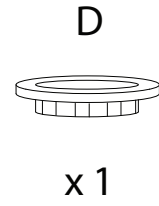




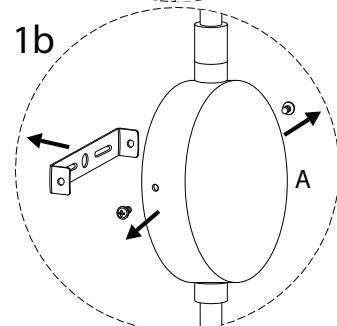
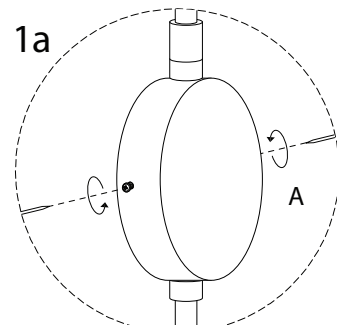
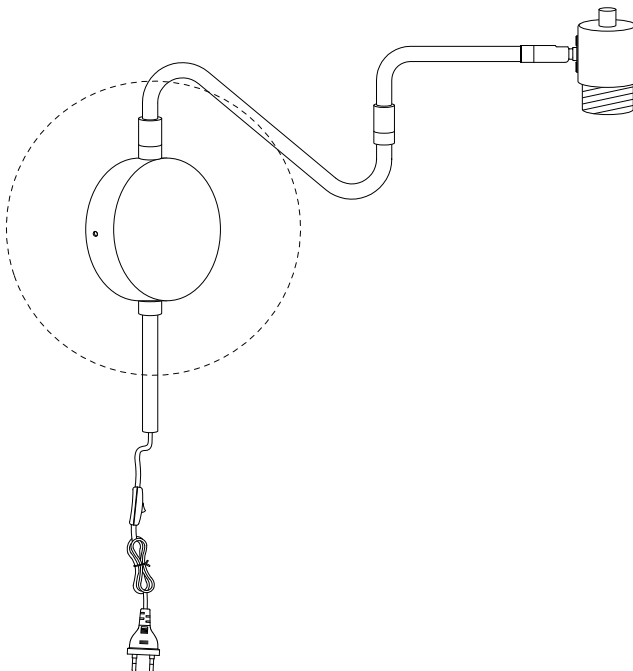


A	B	C	D	E
x 1	x 2	x 2	x 1	x 1

1

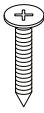


2



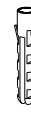
3

B

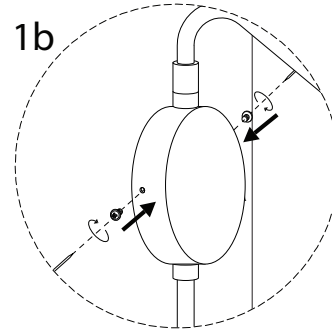
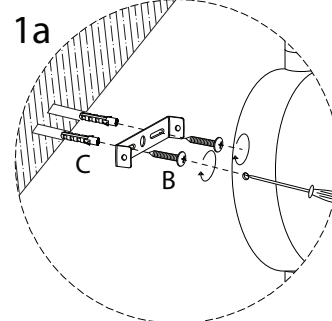
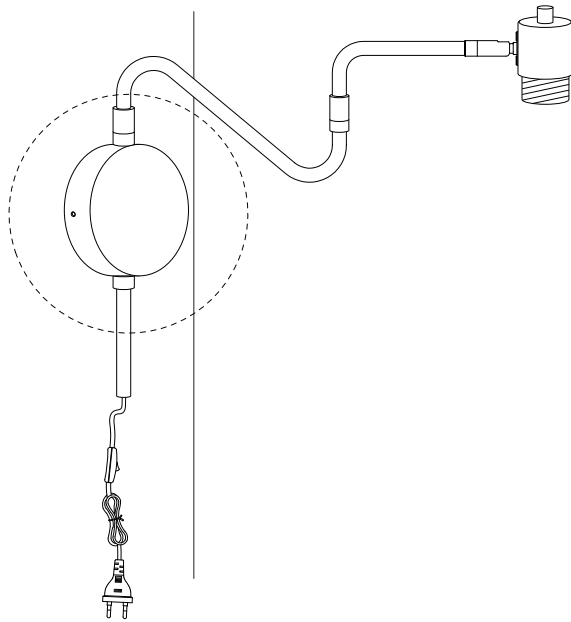


x 2

C



x 2

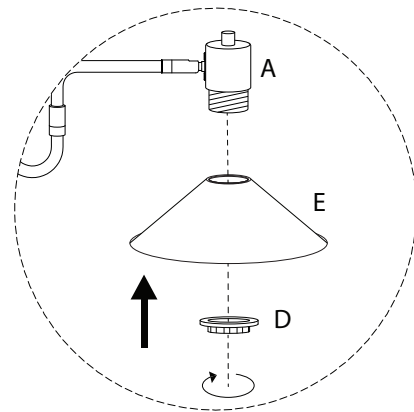
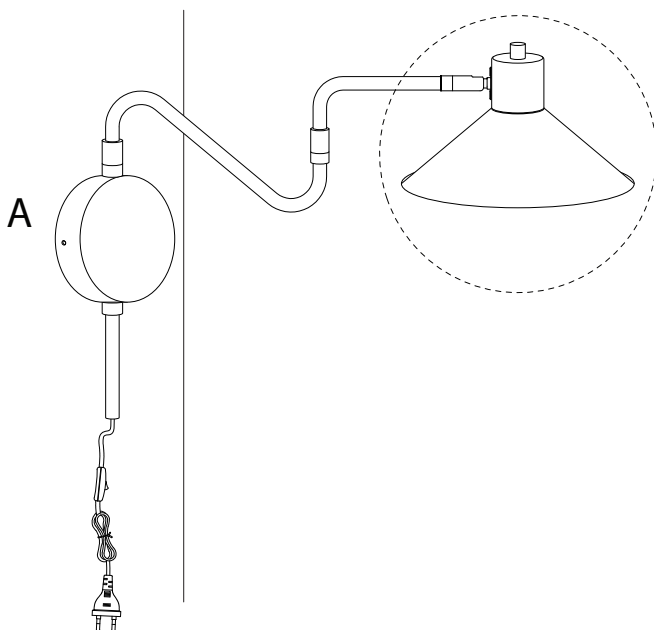


4

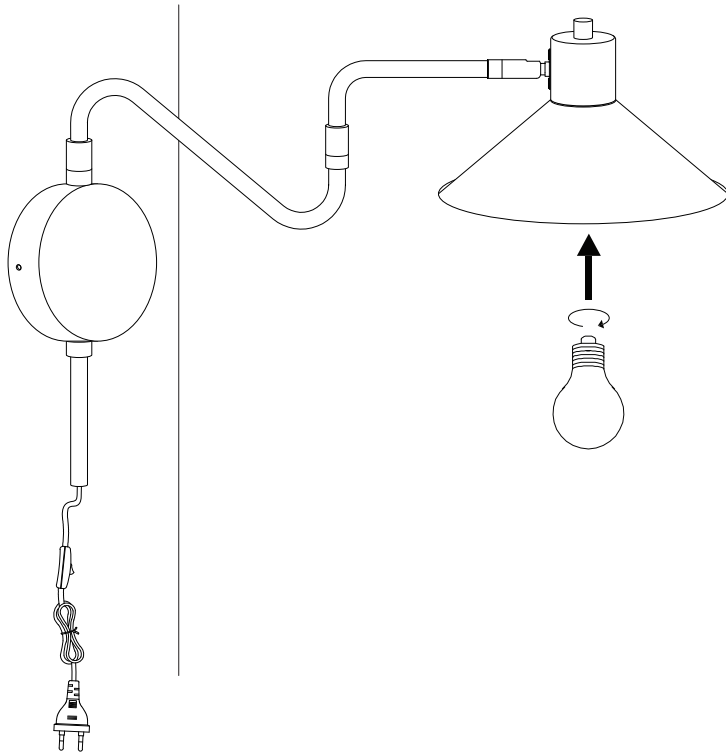
E



x 1



5



!

