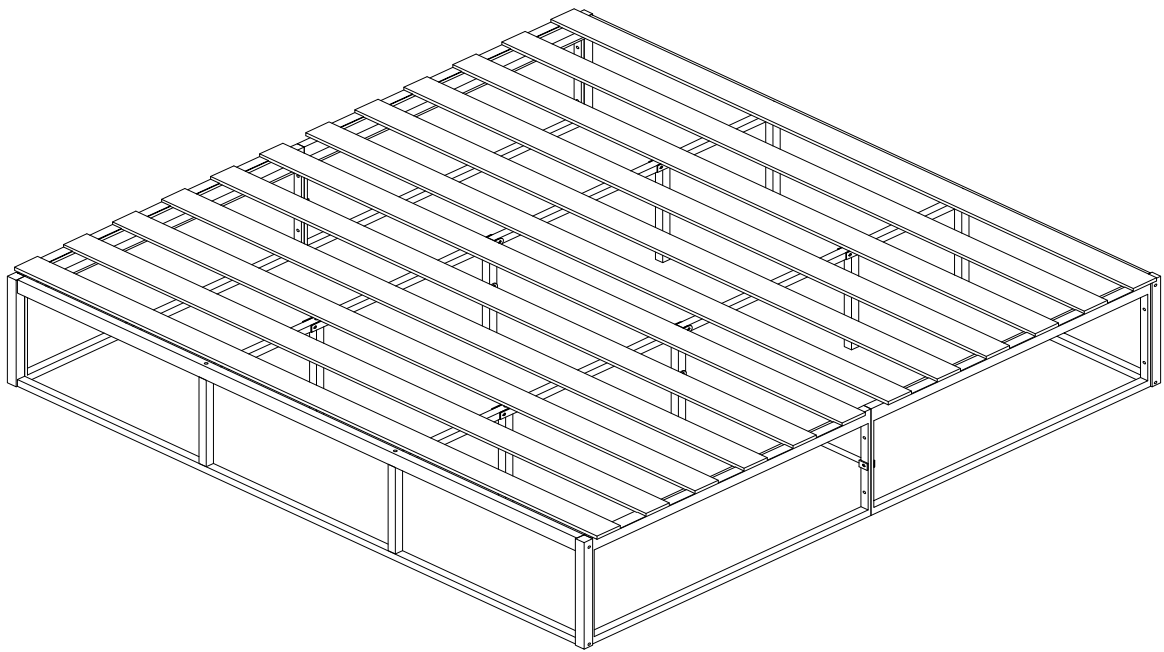
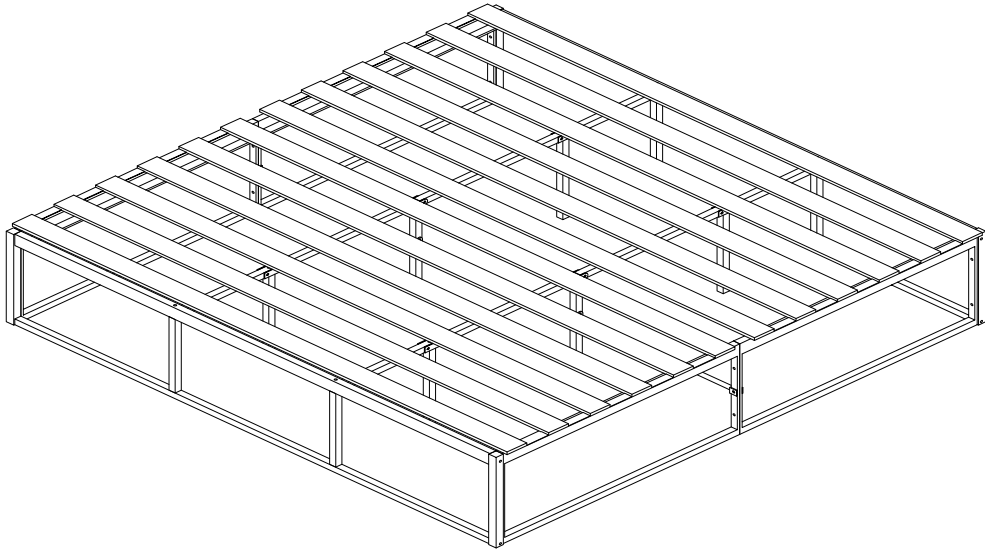
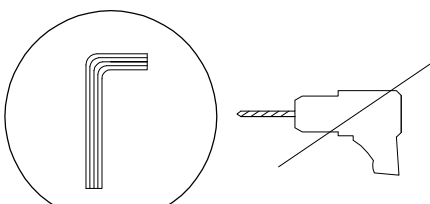

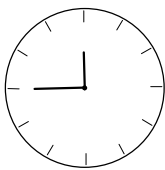
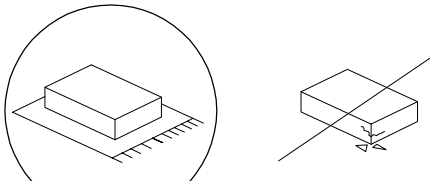

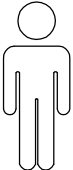
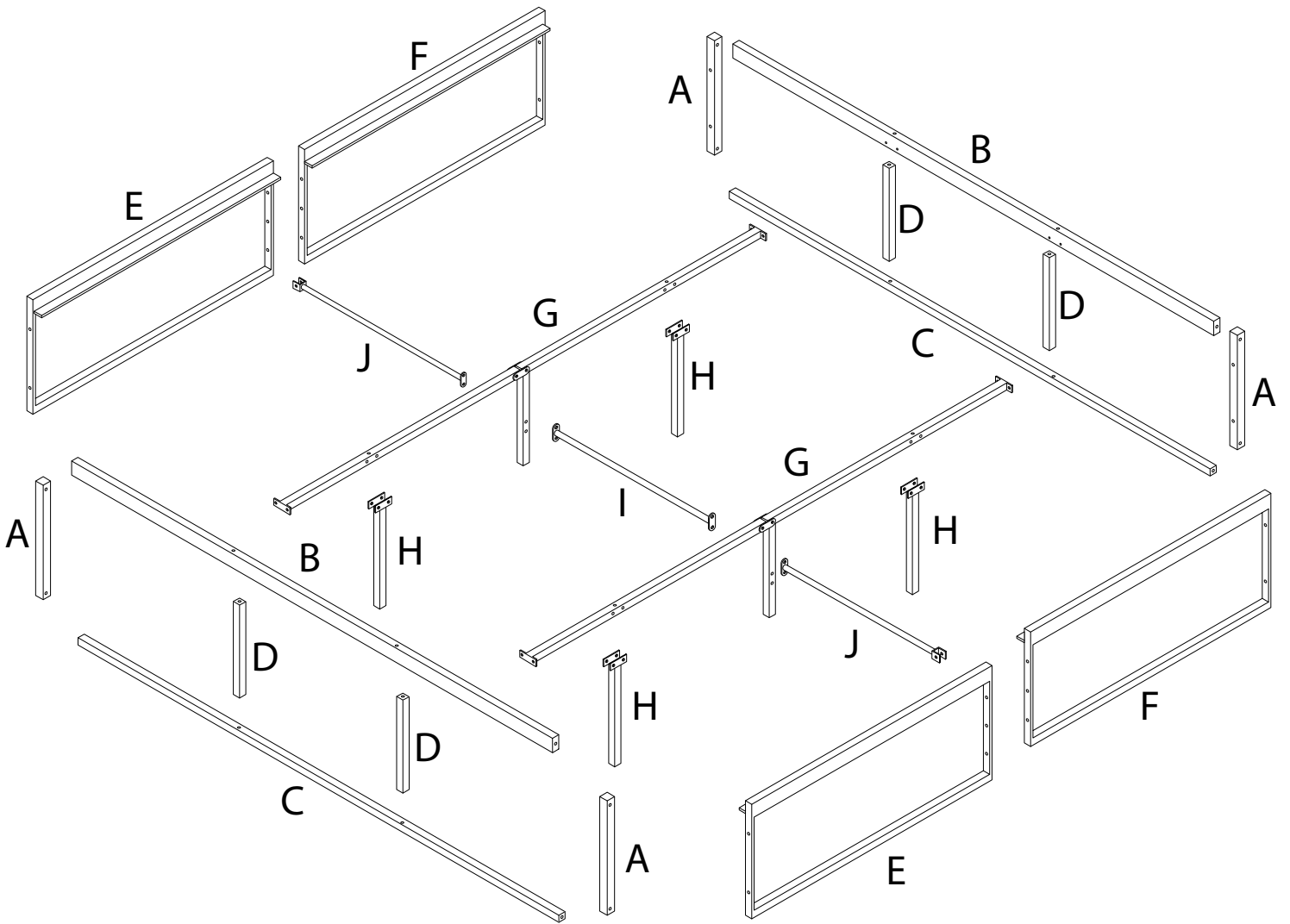
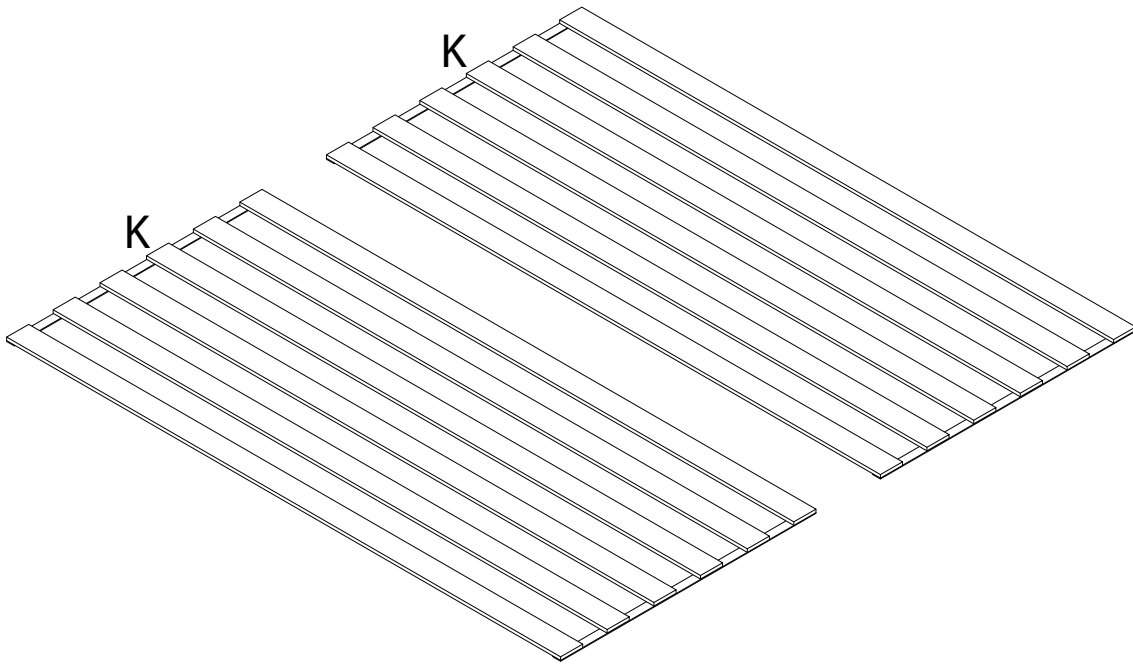


VIRY





		
		
		45'
		2

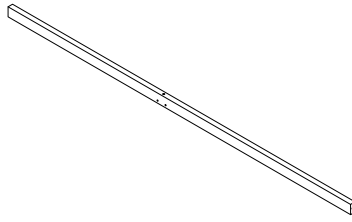


A



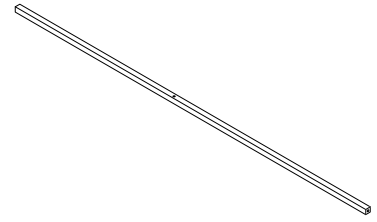
x 4

B



x 2

C



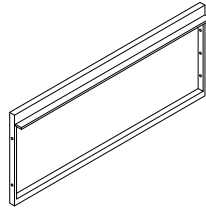
x 2

D



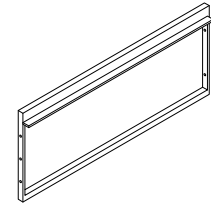
x 4

E



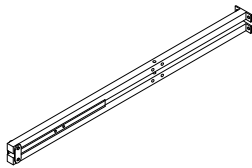
x 2

F



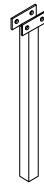
x 2

G



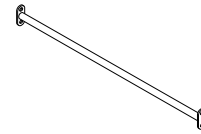
x 2

H



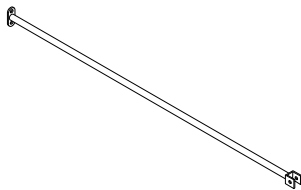
x 4

I



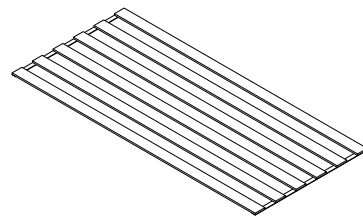
x 1

J



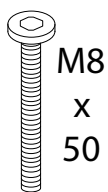
x 2

K



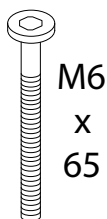
x 2

1



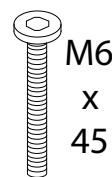
x 4

2



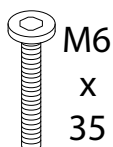
x 4

3



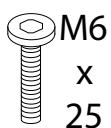
x 4

4



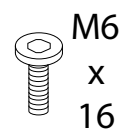
x 8

5



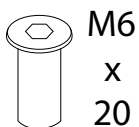
x 20

6



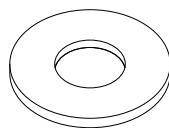
x 14

7



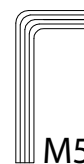
x 18

8



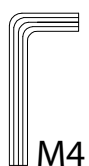
x 8

9



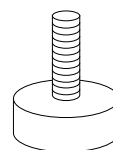
x 1

10



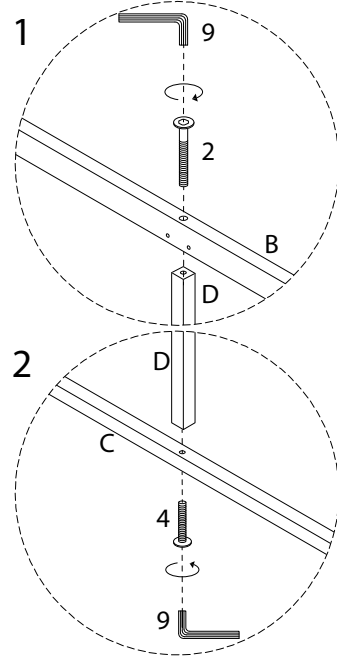
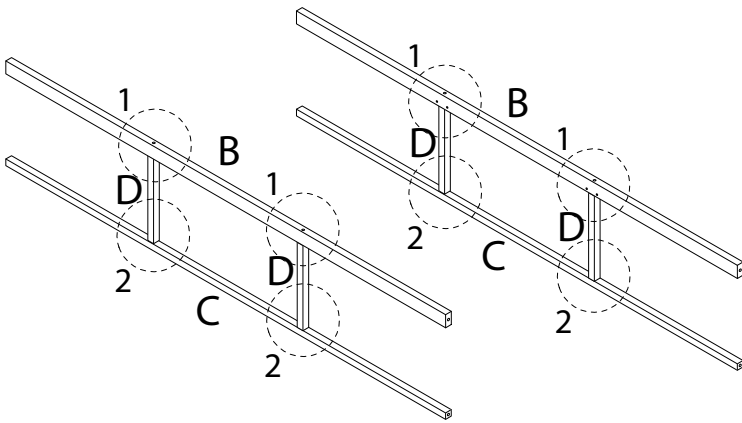
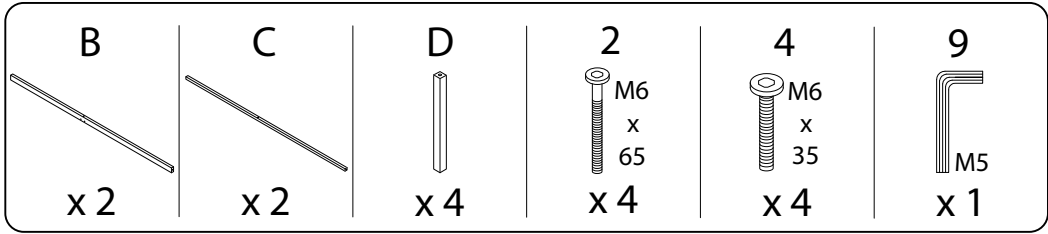
x 1

11

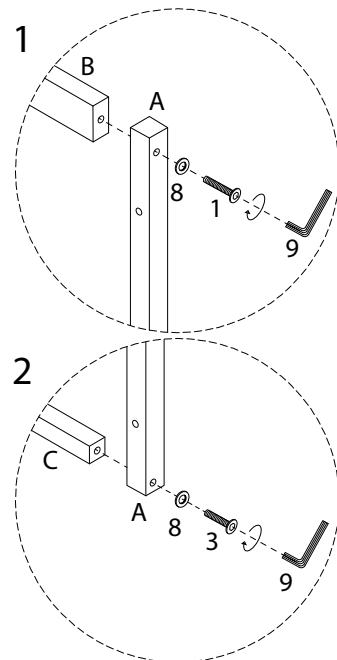
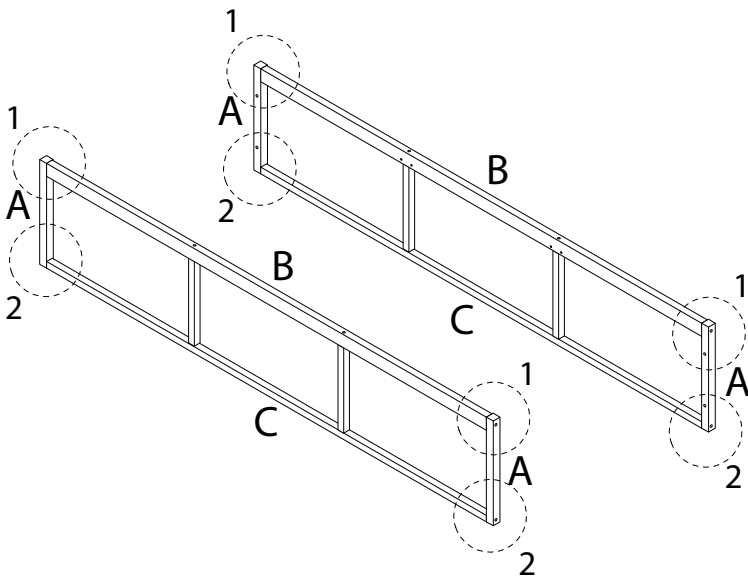
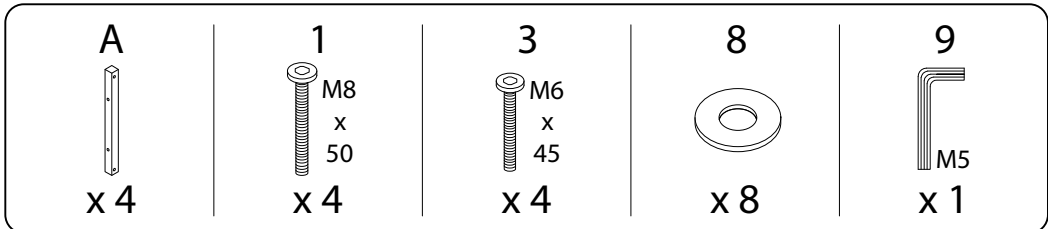


x 4

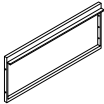
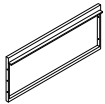

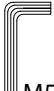
1

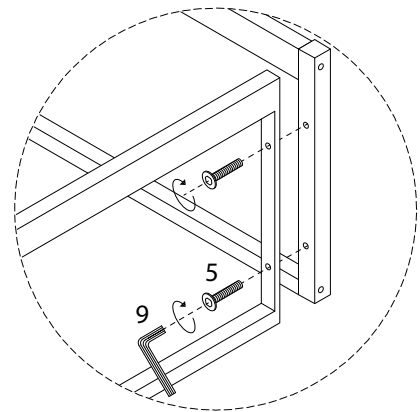
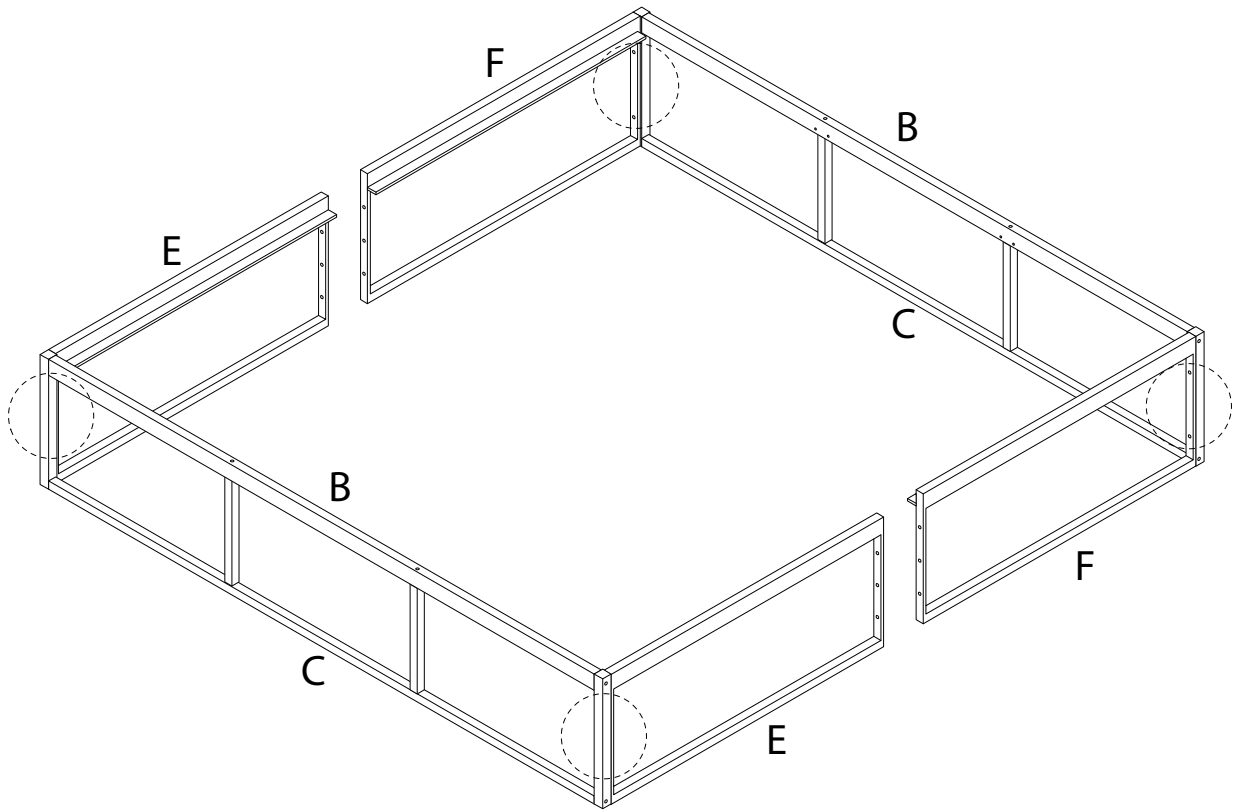


2

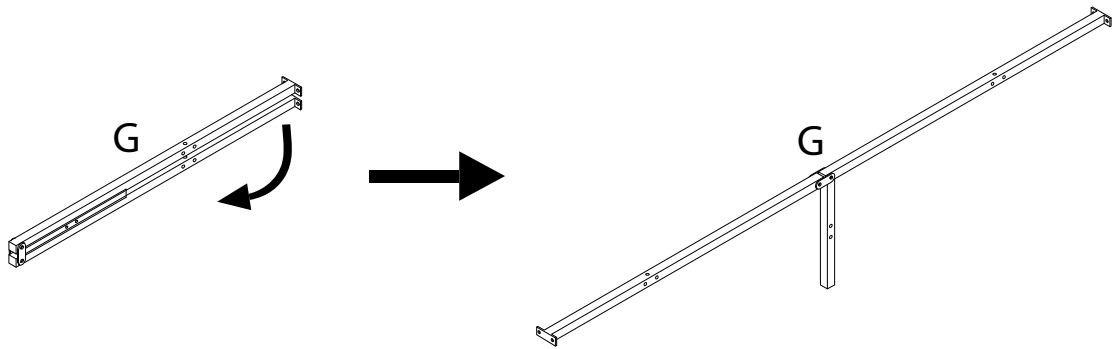


3

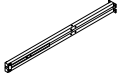

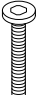
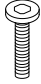

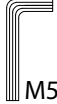

<p>E</p>  <p>x 2</p>	<p>F</p>  <p>x 2</p>	<p>5</p>  <p>M6 x 25</p> <p>x 8</p>	<p>9</p>  <p>M5</p> <p>x 1</p>
---	---	---	---

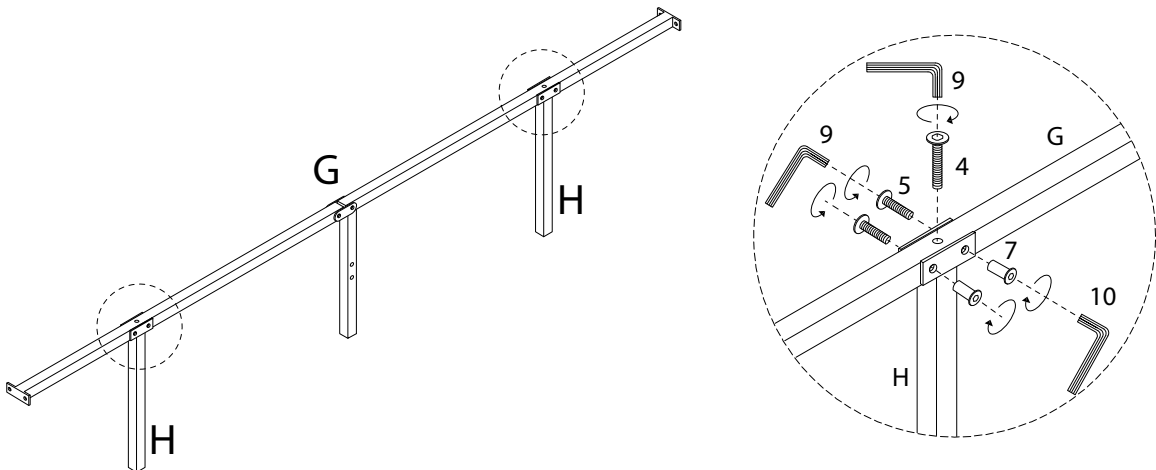


!







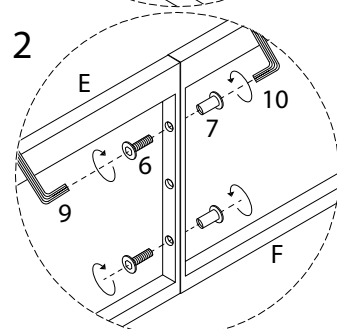
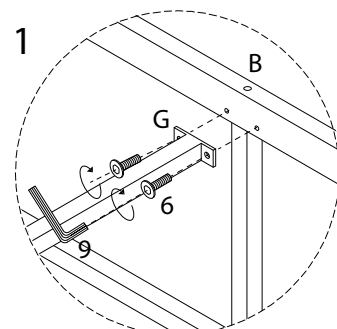
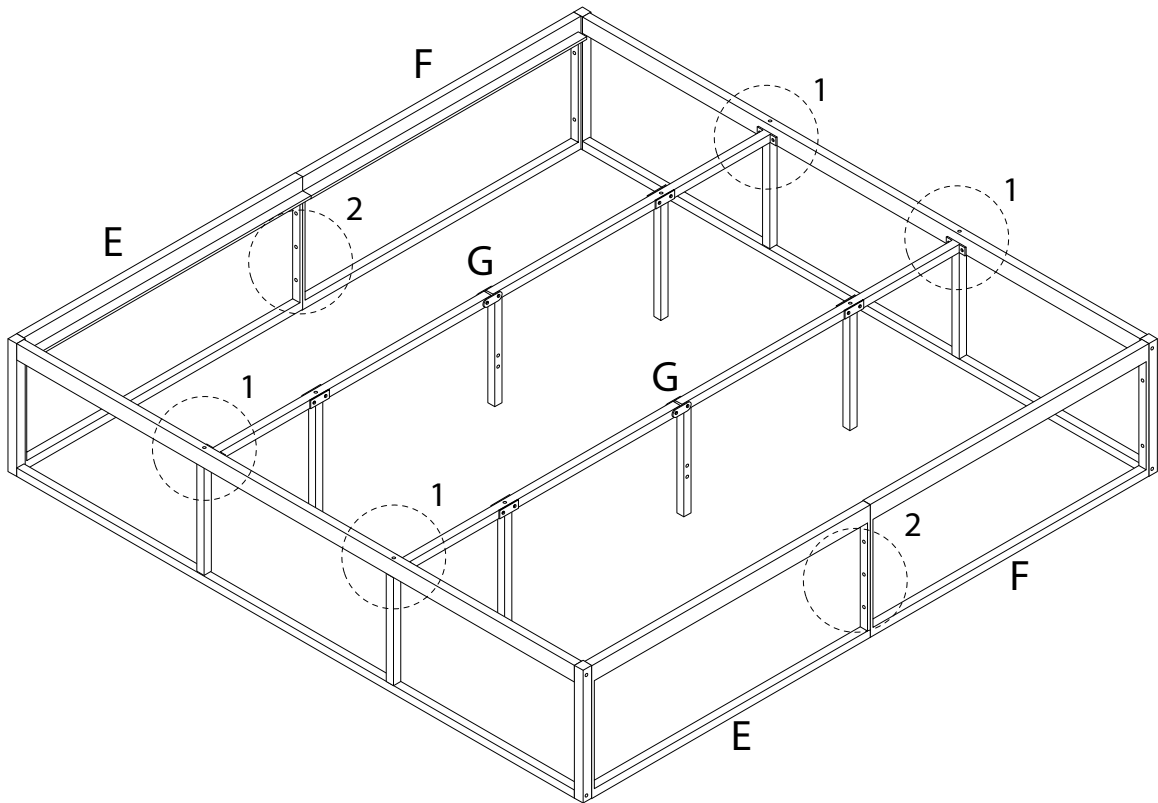
4 x 2

G  x 1	H  x 2	4  M6 x 35 x 2	5  M6 x 25 x 4	7  M6 x 20 x 4	9  M5 x 1	10  M4 x 1
--	--	--	--	---	--	---

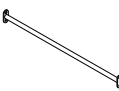
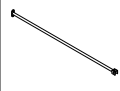





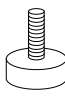


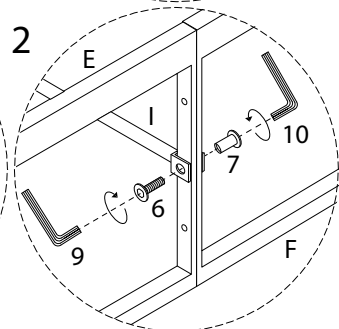
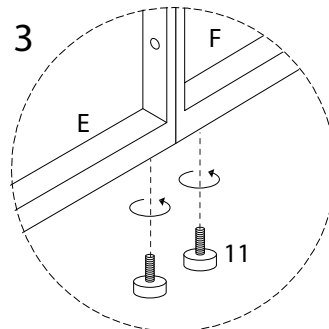
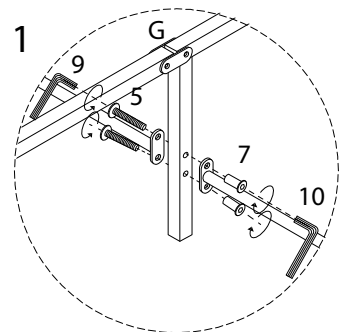
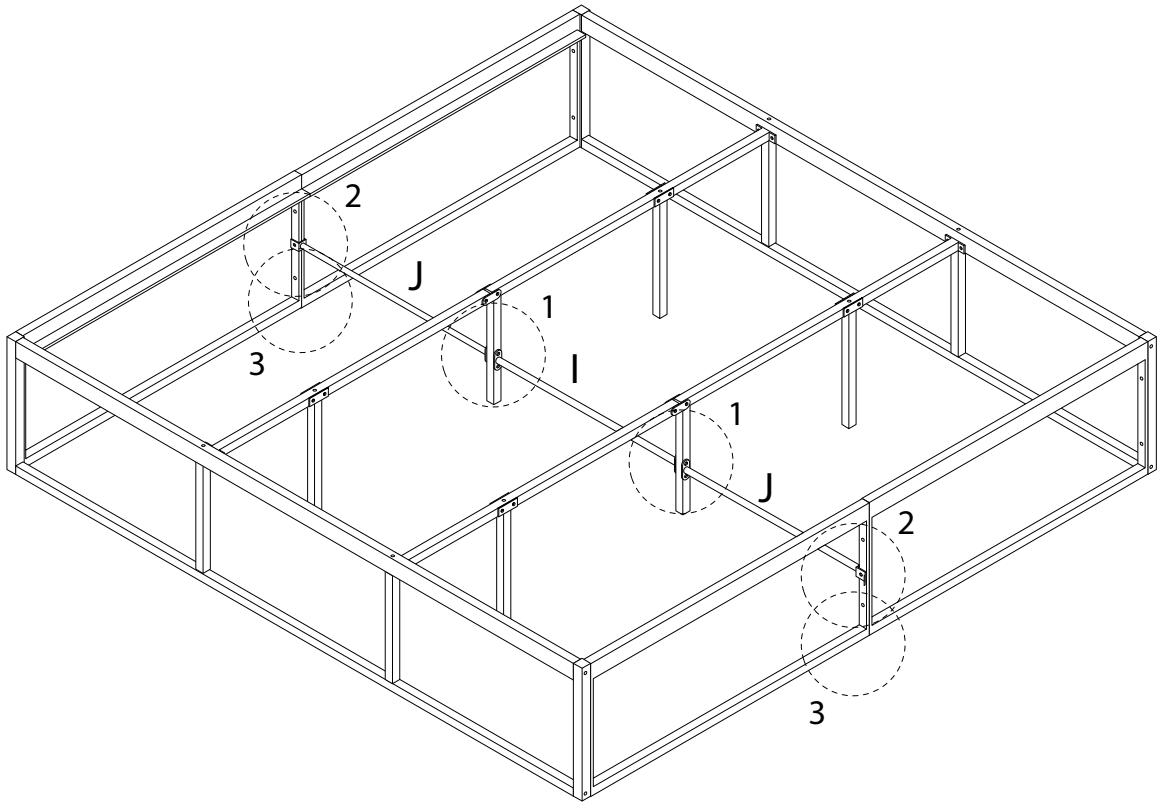
5

<p>6</p>  <p>M6 x 16</p> <p>x 12</p>	<p>7</p>  <p>M6 x 20</p> <p>x 4</p>	<p>9</p>  <p>M5</p> <p>x 1</p>	<p>10</p>  <p>M4</p> <p>x 1</p>
---	--	---	--



6

I	J	5	6	7	9	10	11
							
x 1	x 2	M6 x 25 x 4	M6 x 16 x 2	M6 x 20 x 6	M5 x 1	M4 x 1	x 4



7

