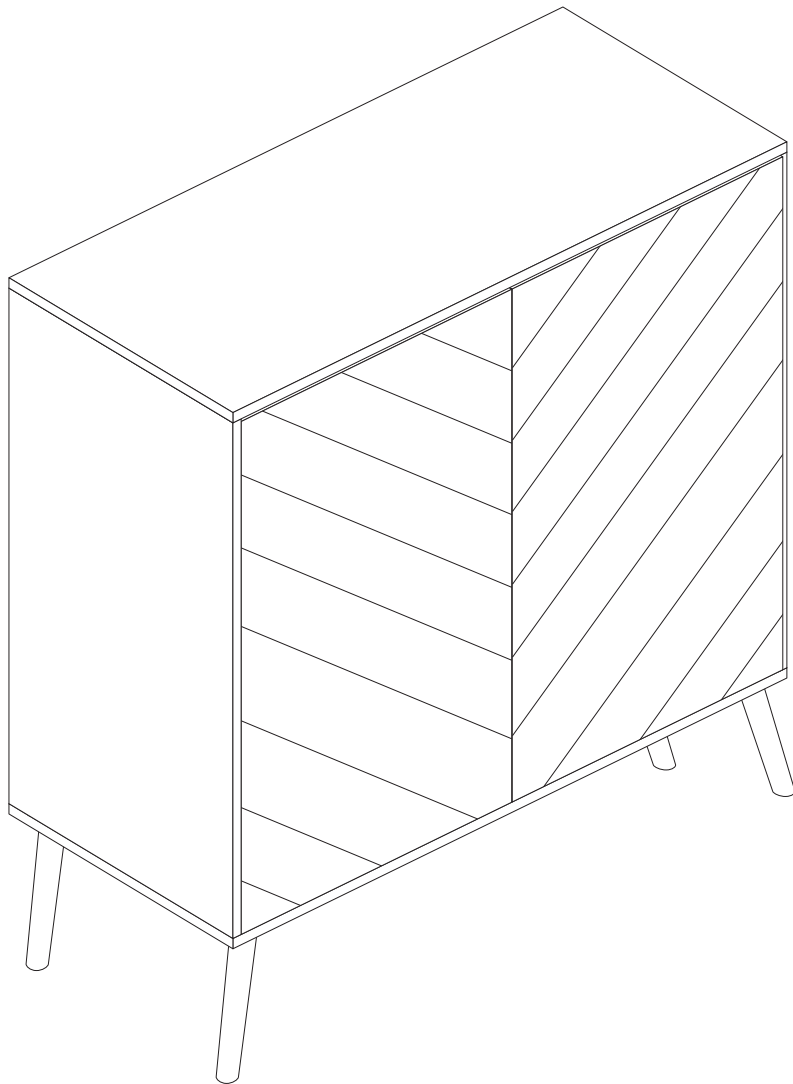
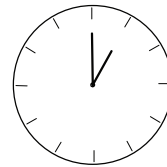
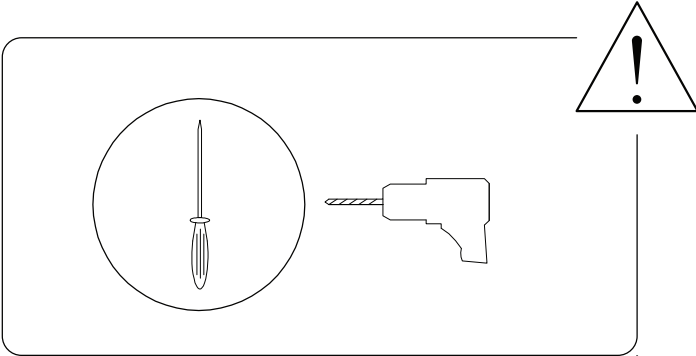
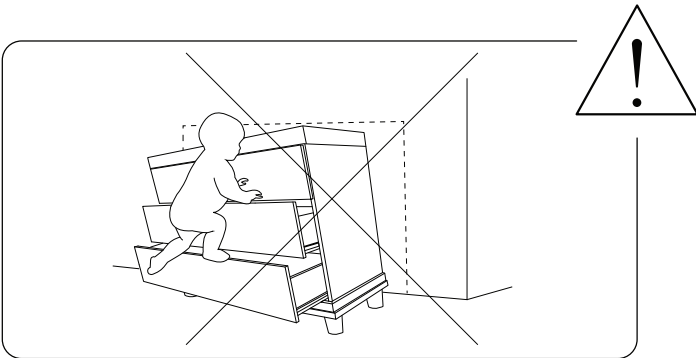
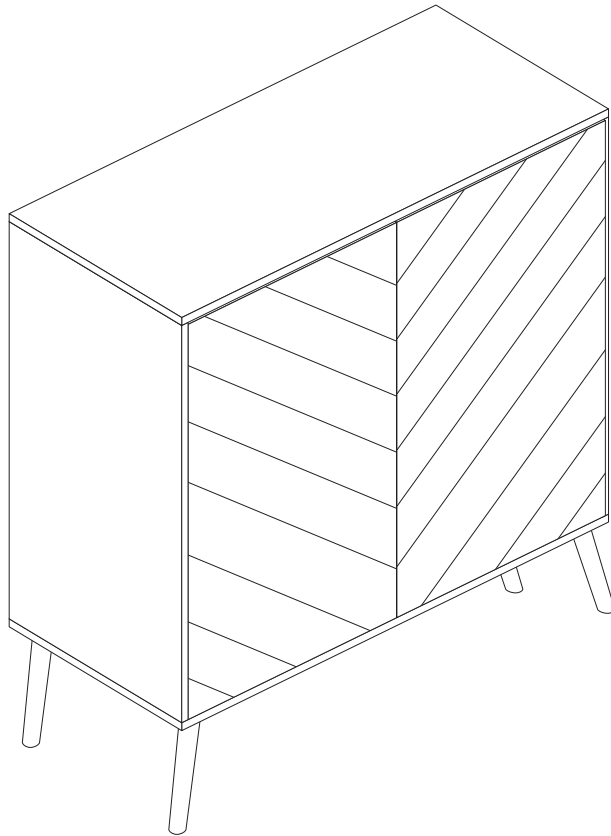
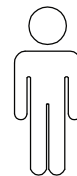
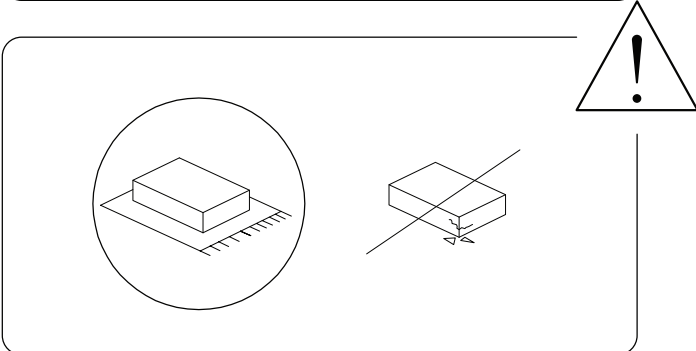


# BRISTOW

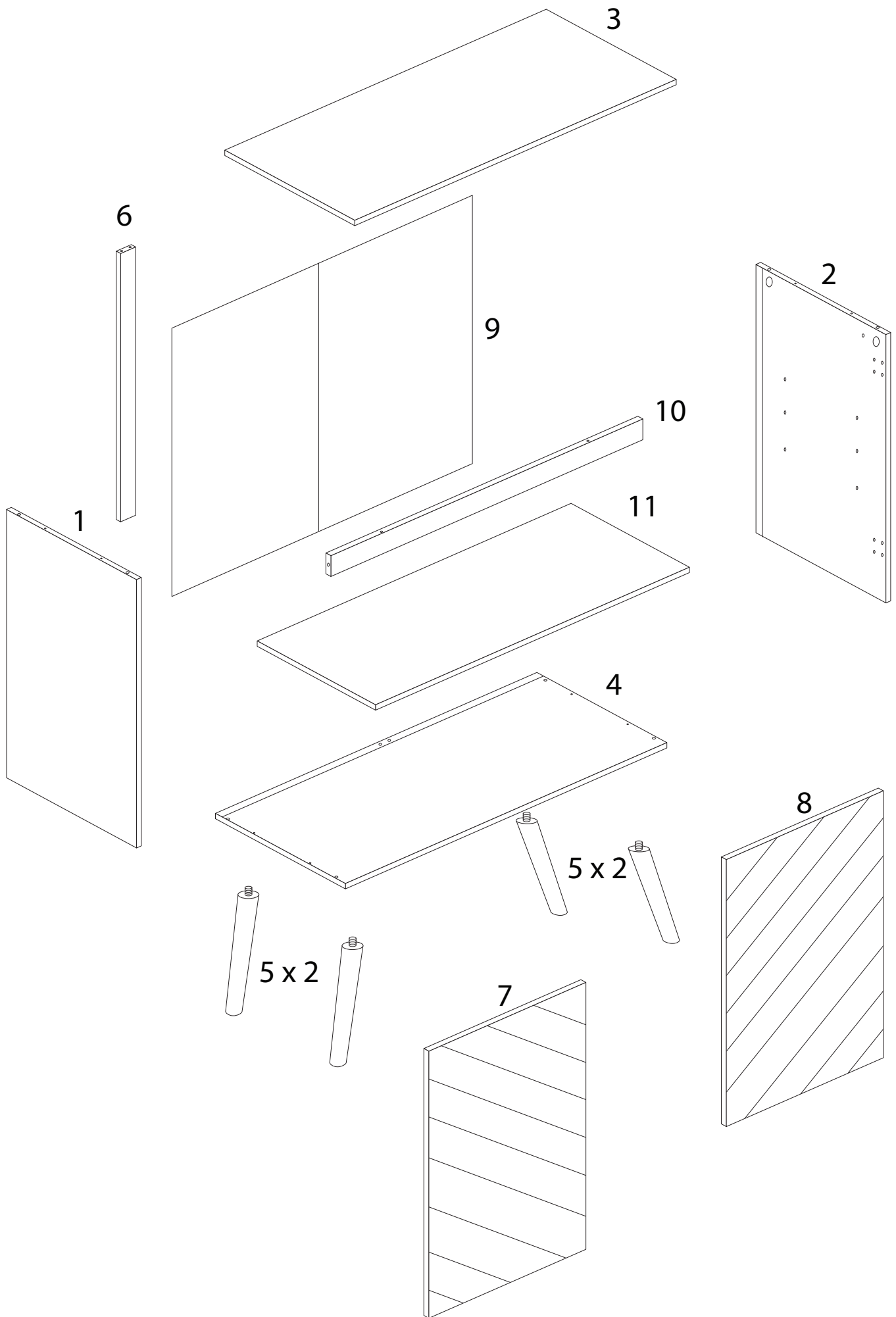




60'



2

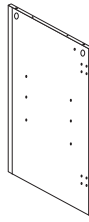


1



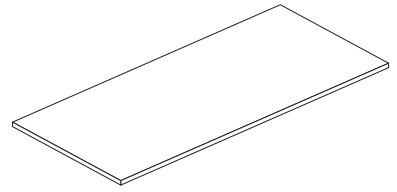
x 1

2



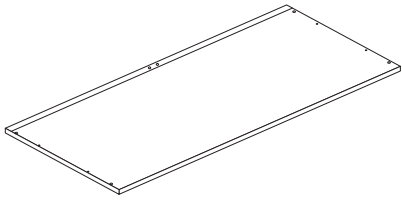
x 1

3



x 1

4



x 1

5



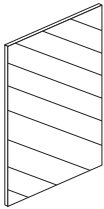
x 4

6



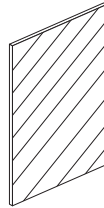
x 1

7



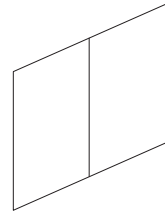
x 1

8



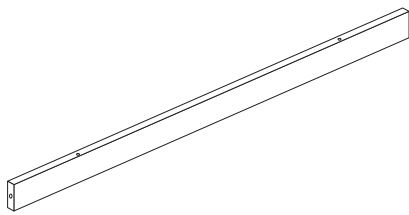
x 1

9



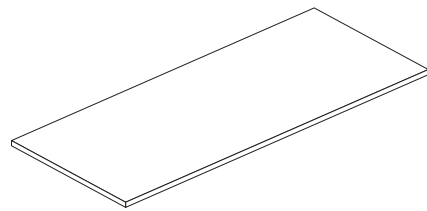
x 1

10



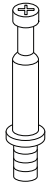
x 1

11



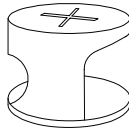
x 1

A



x 8

B



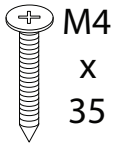
x 8

C



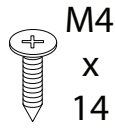
x 8

D



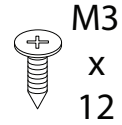
x 10

E



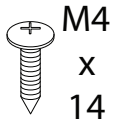
x 24

F



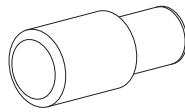
x 4

G



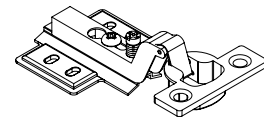
x 20

H



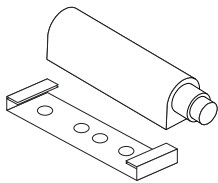
x 4

I



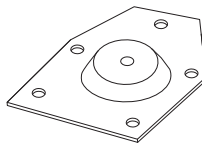
x 4

J



x 2

K



x 4

L



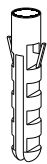
x 4

M



x 2

N



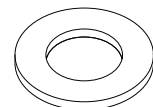
x 2

O



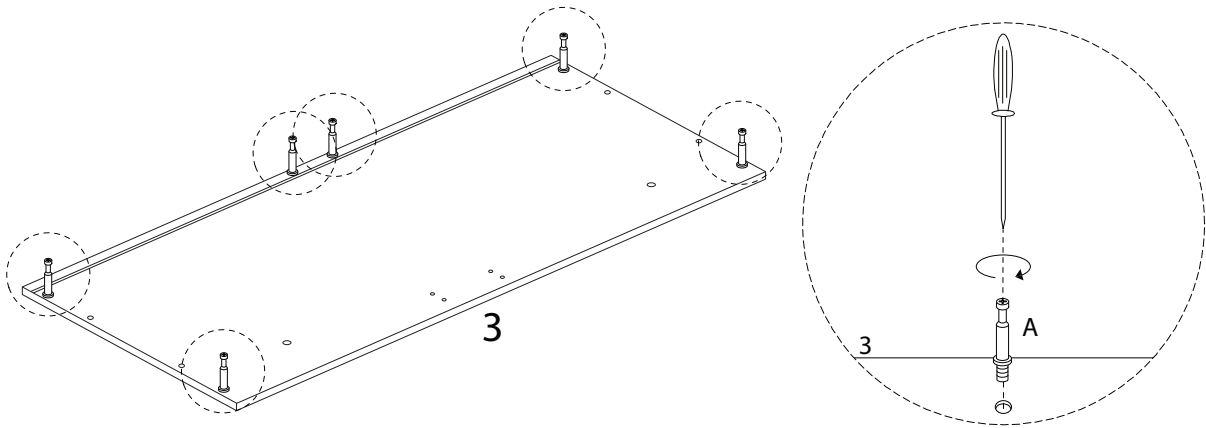
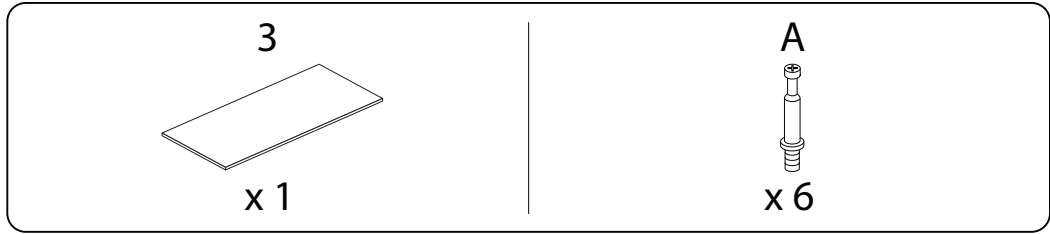
x 2

P

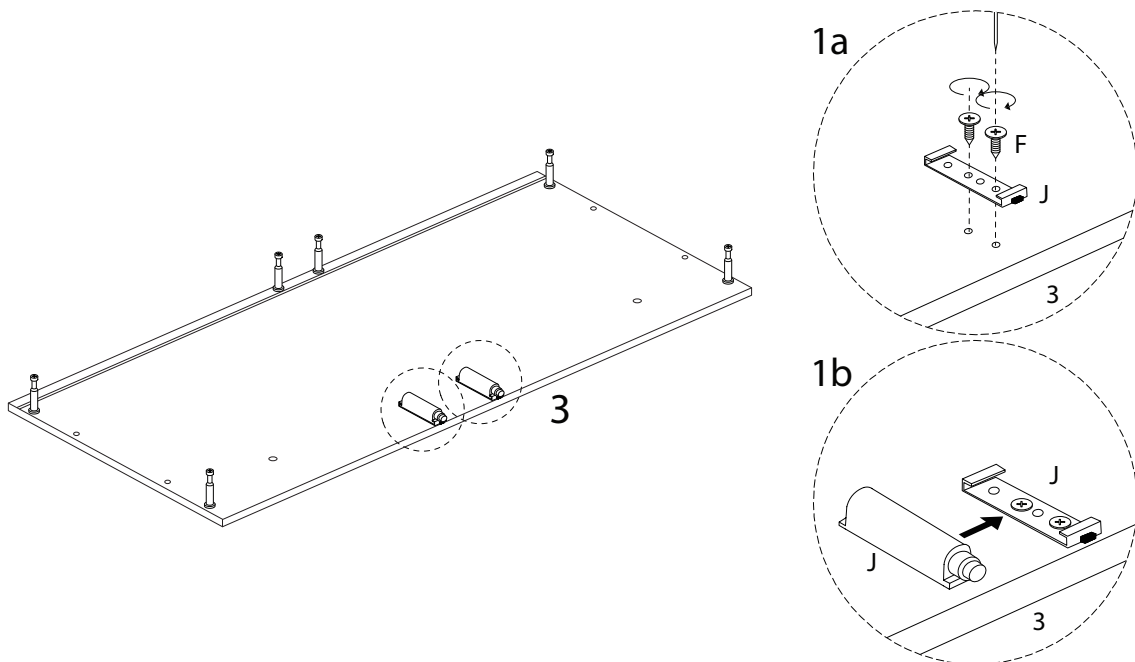
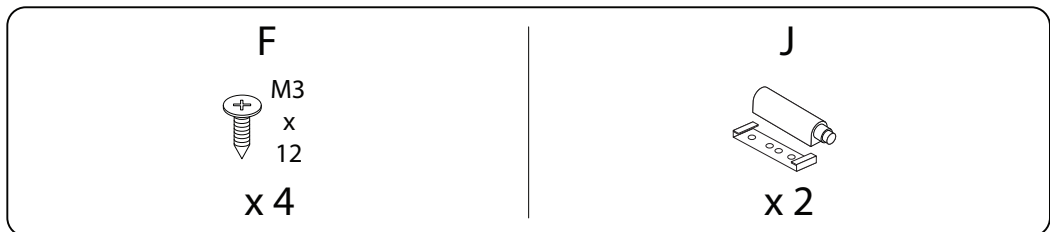


x 4

1



2

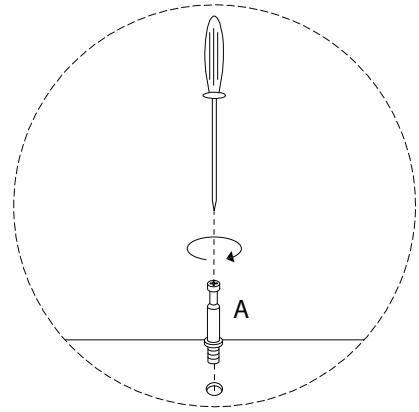
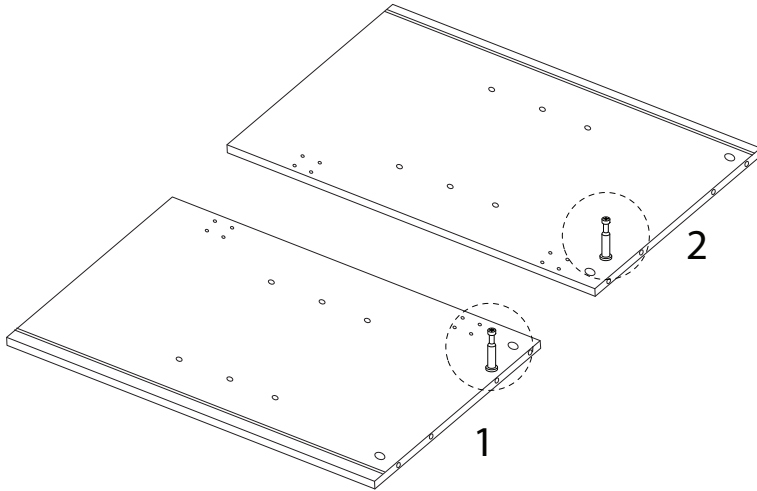


3

1  
x1

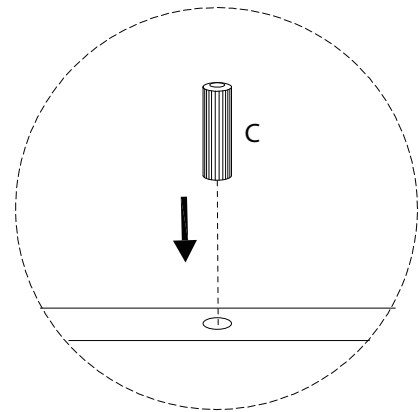
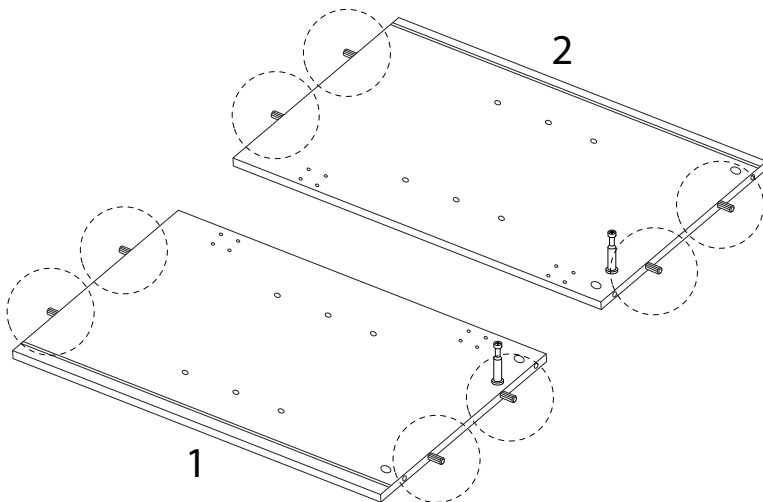
2  
x1

A  
x2

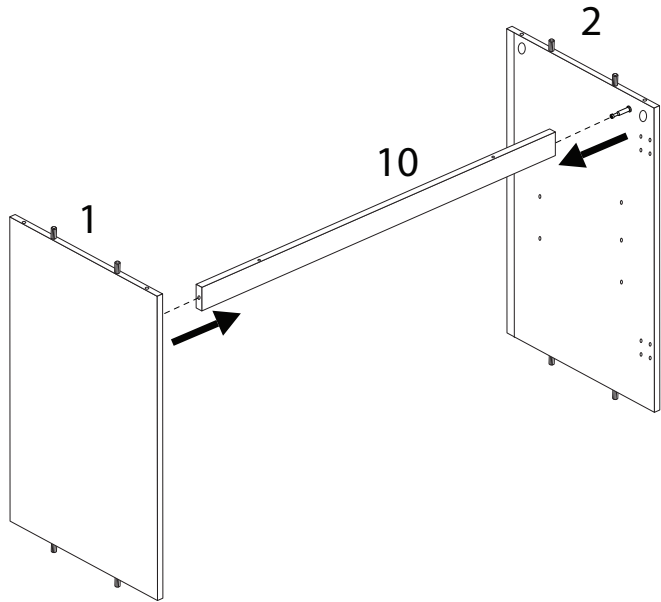
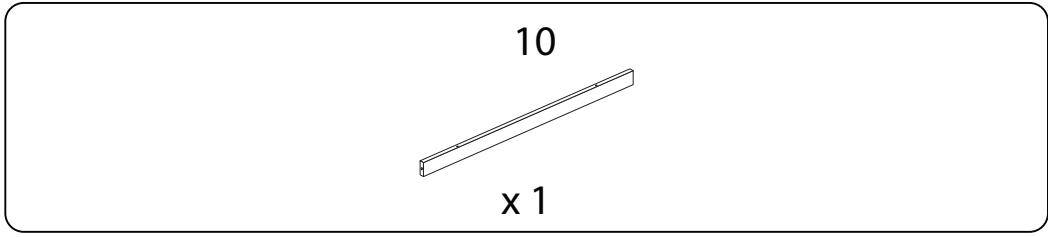


4

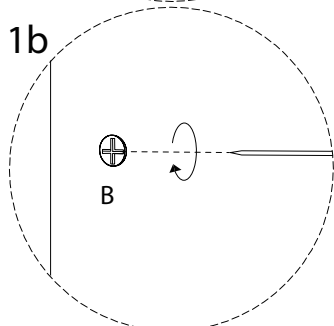
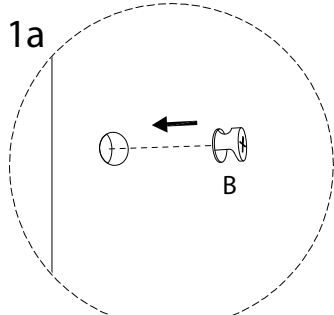
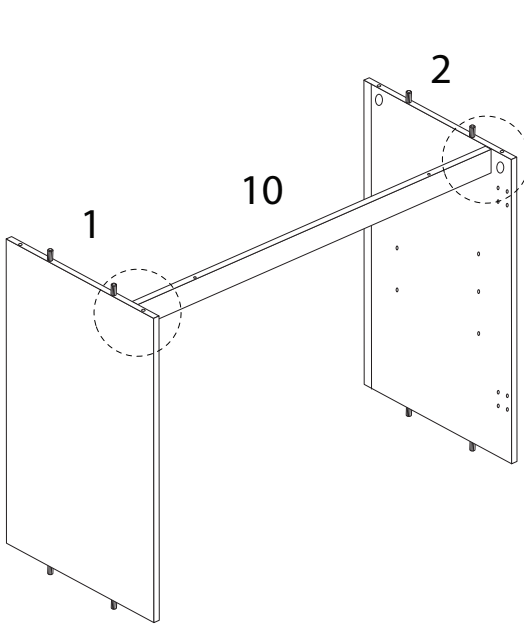
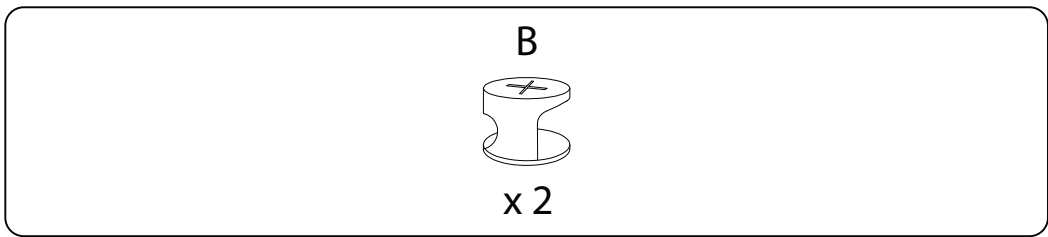
C  
x4



5



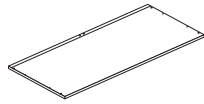
6





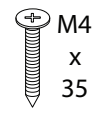
7

4

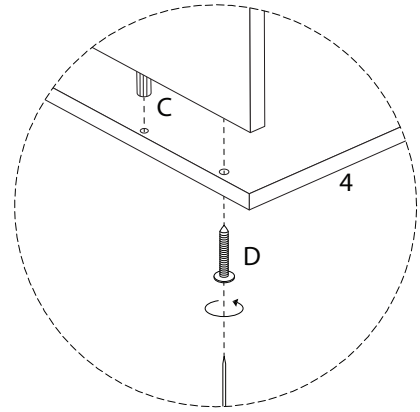
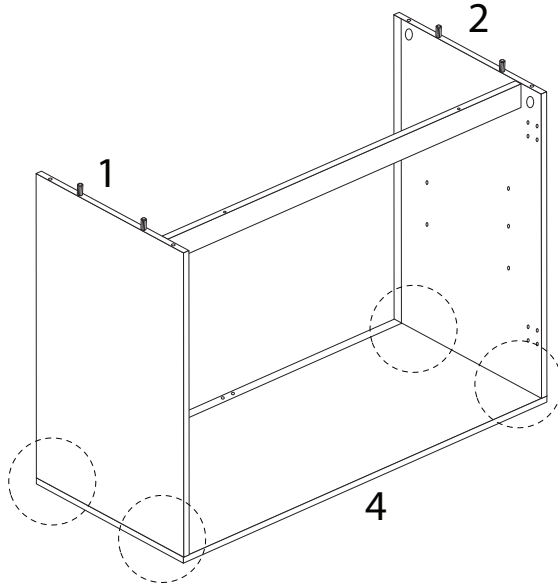


x 1

D



x 4



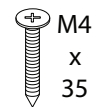
8

6

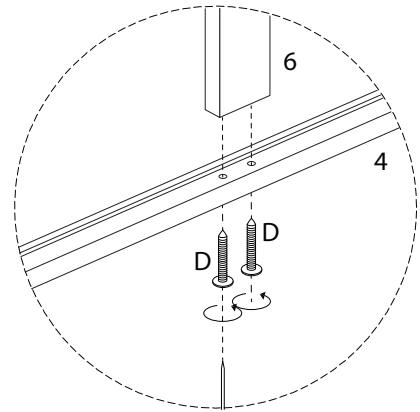
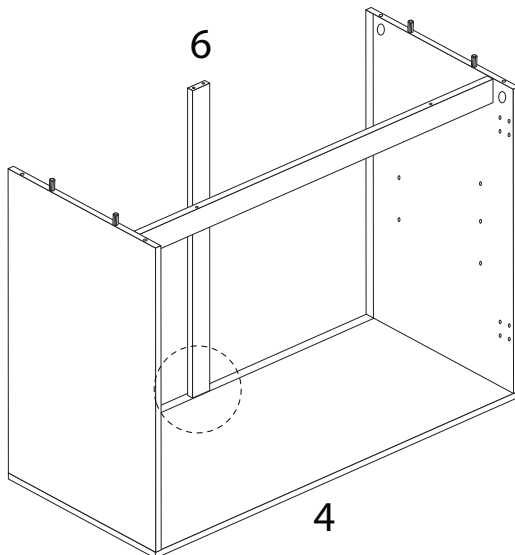


x 1

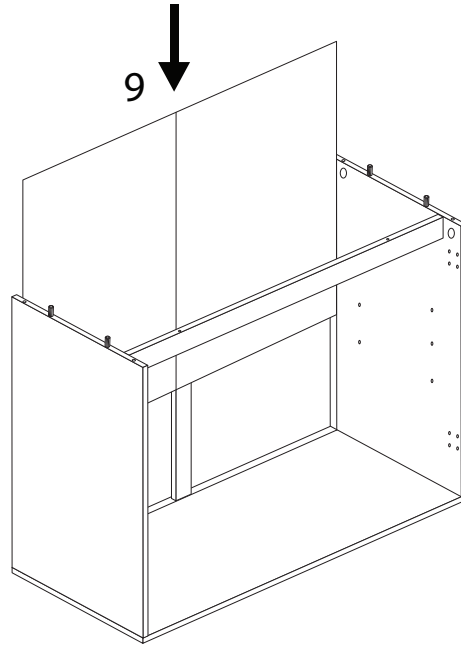
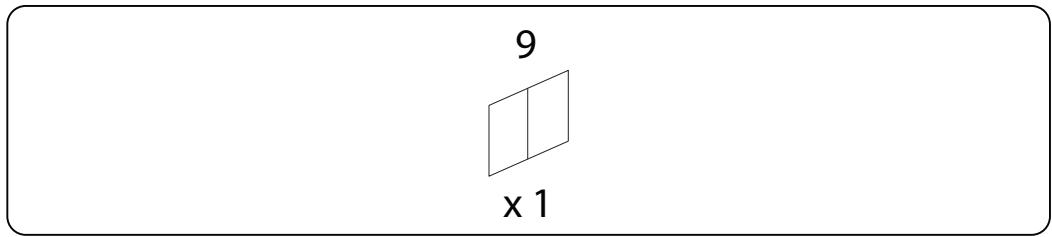
D



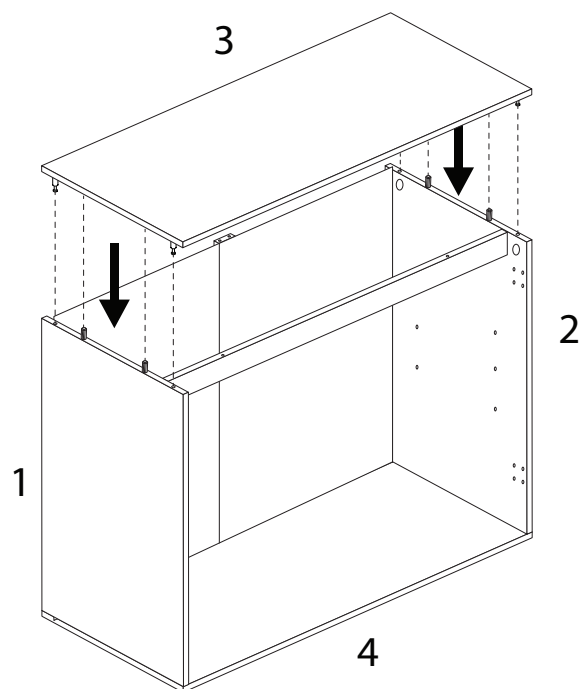
x 2



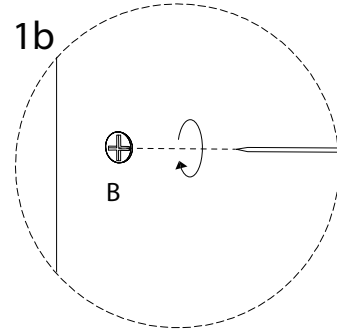
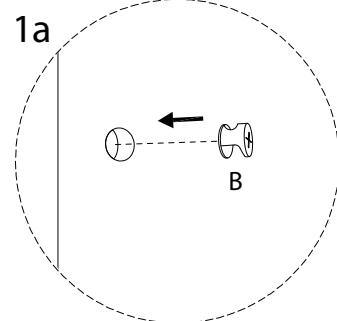
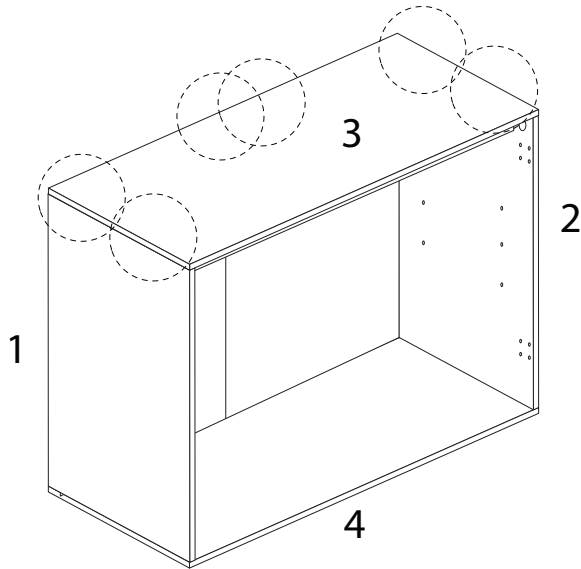
9



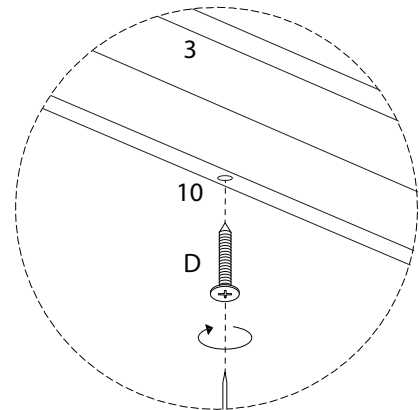
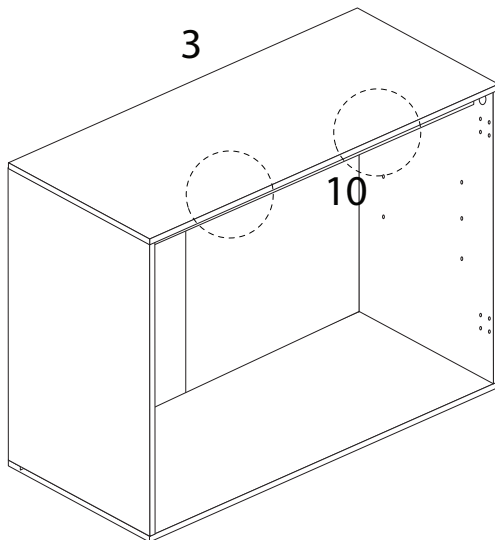
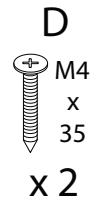
10



11

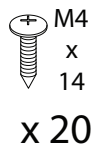


12

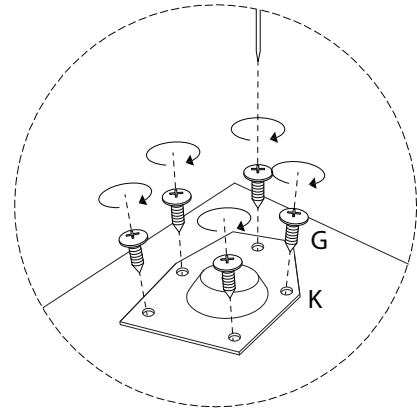
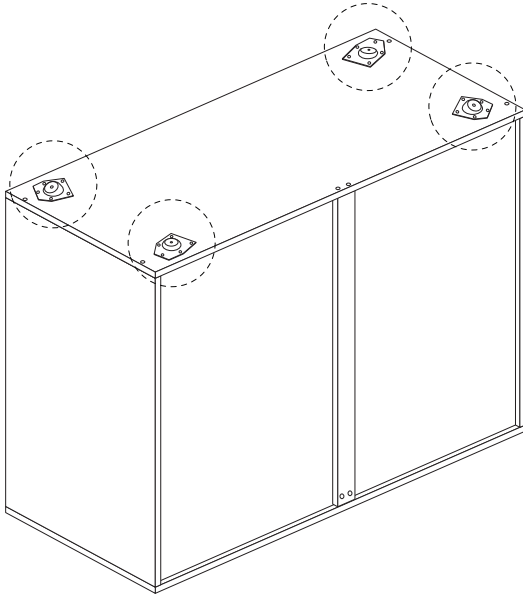
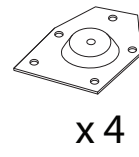


13

G



K

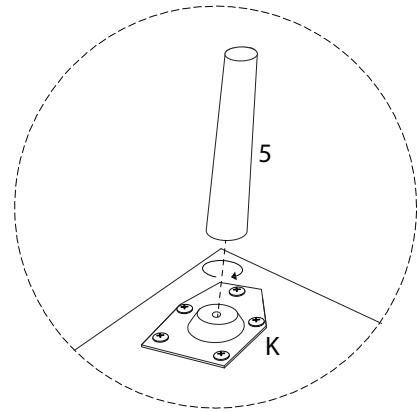
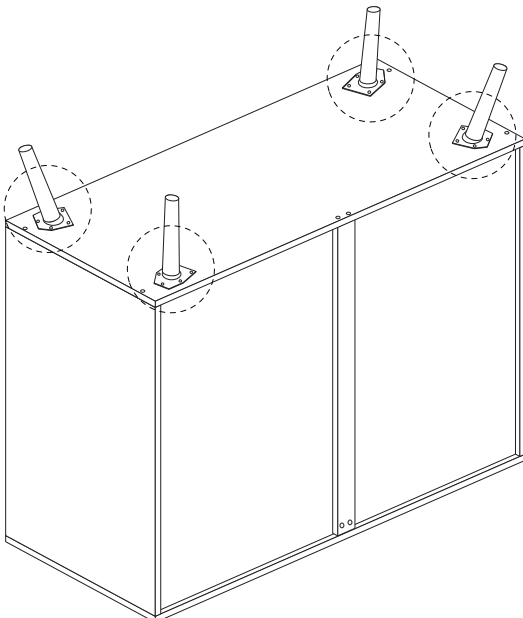


14

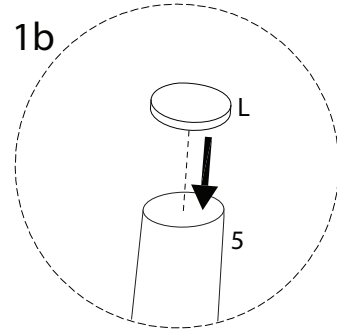
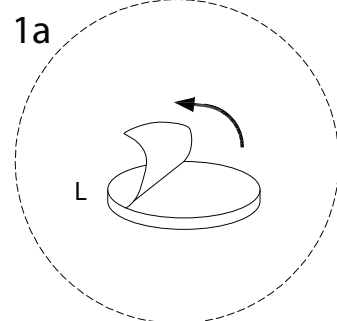
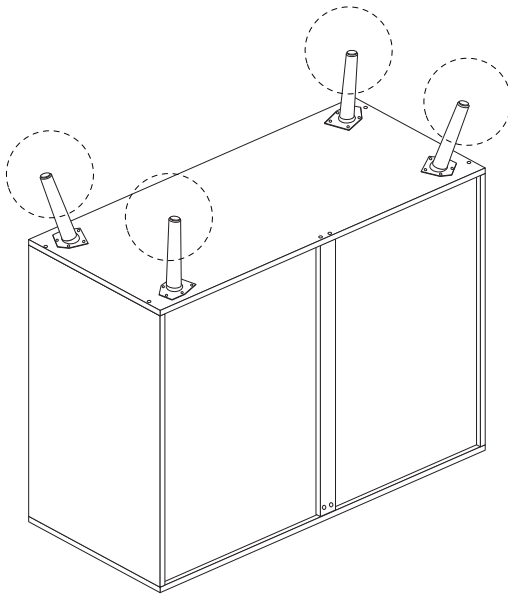
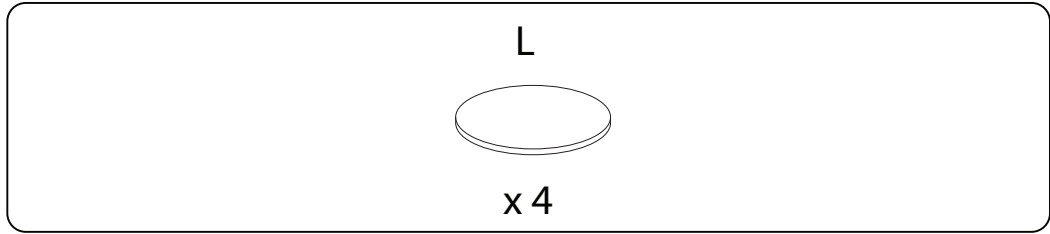
5



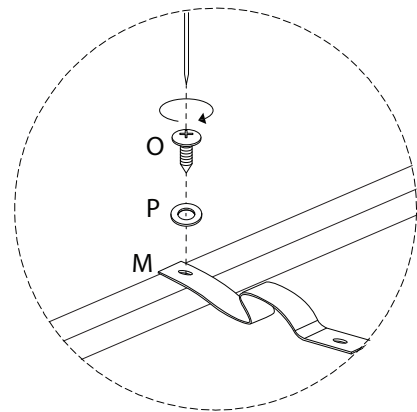
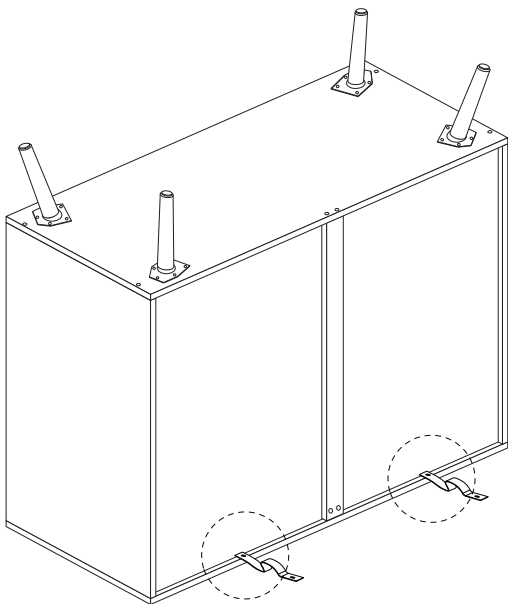
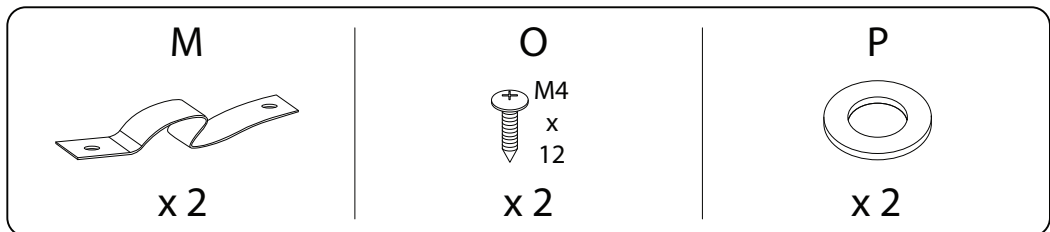
x 4



15

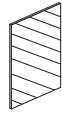


16



17

7



x 1

8



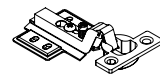
x 1

E

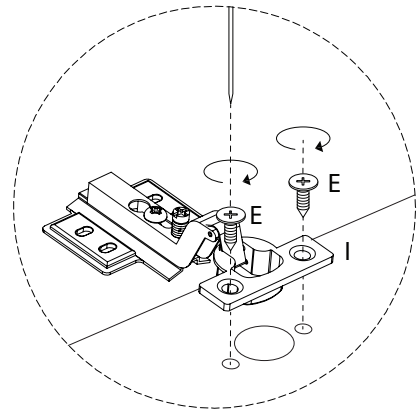
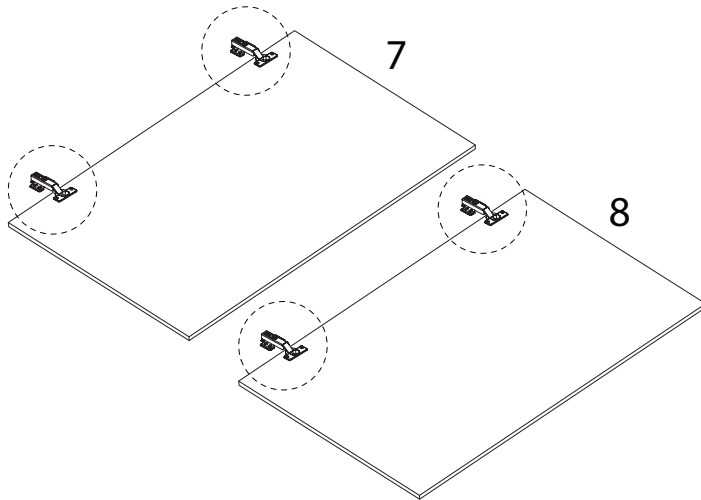


x 8

I

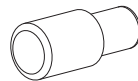


x 4

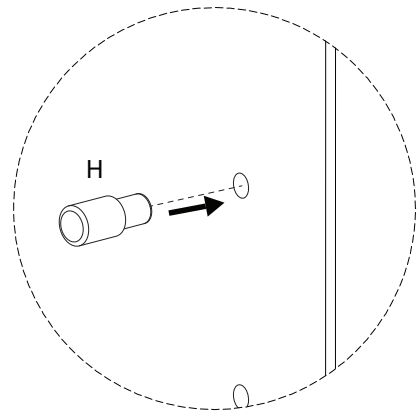
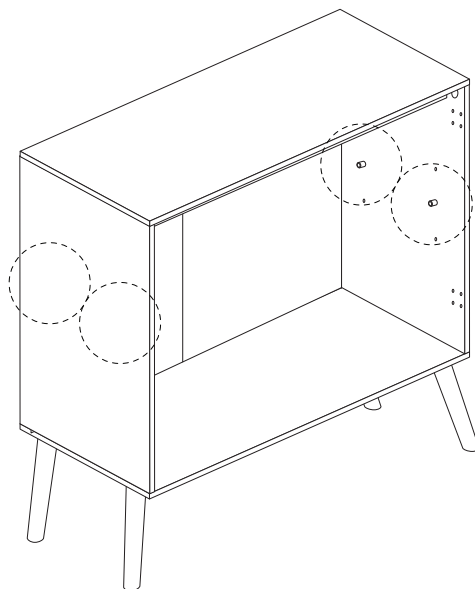


18

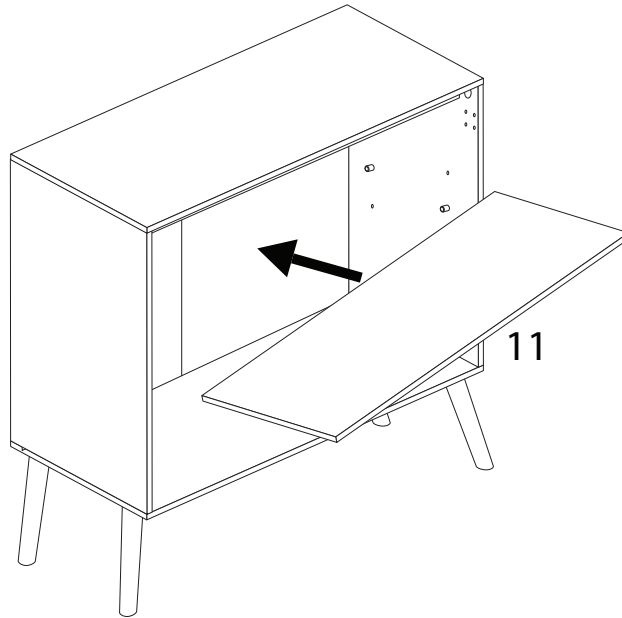
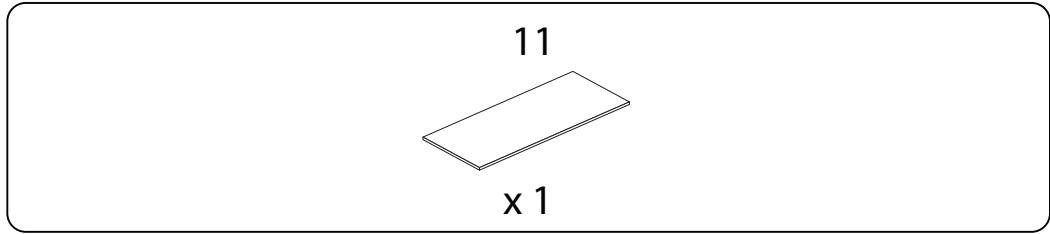
H



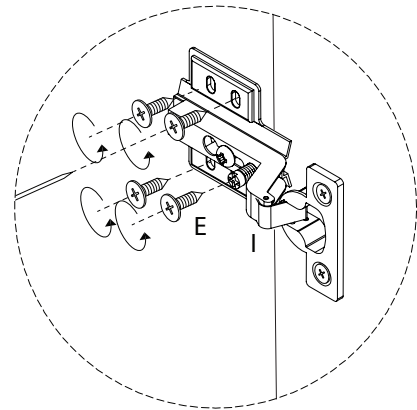
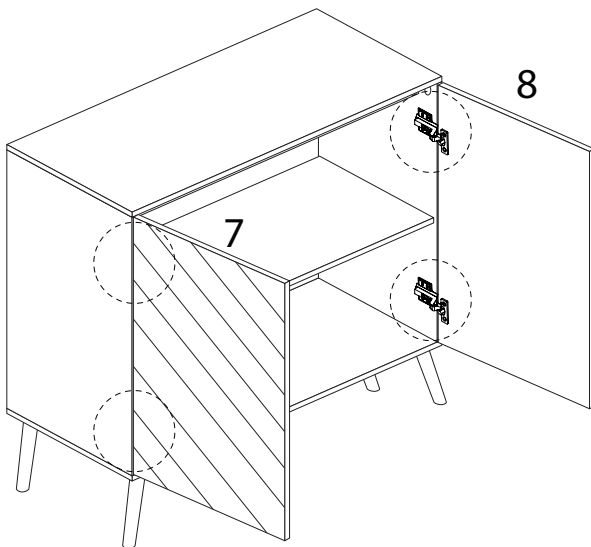
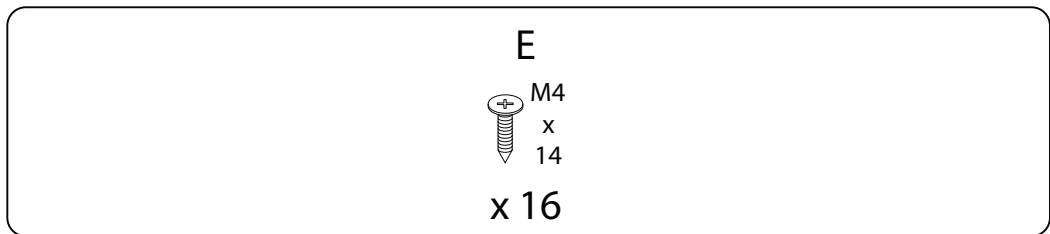
x 4



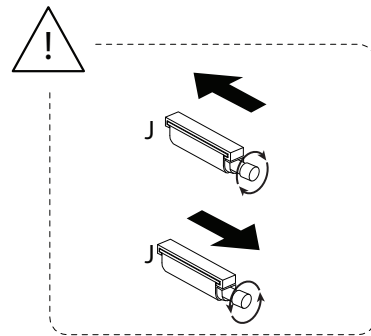
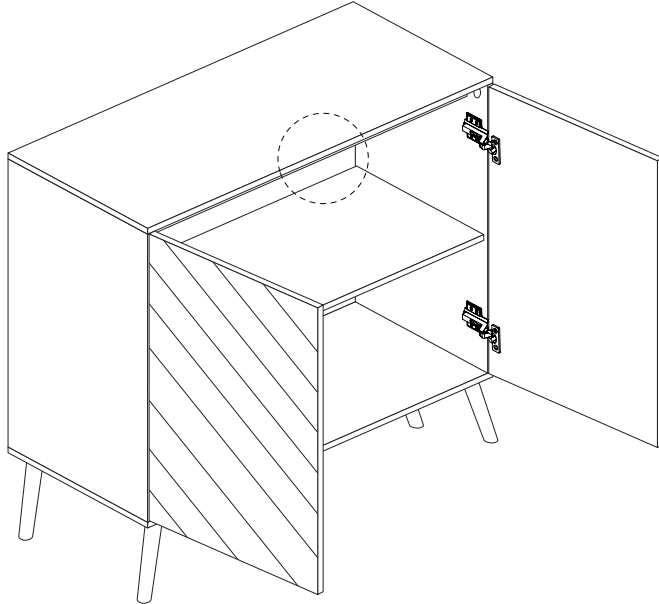
19



20



!

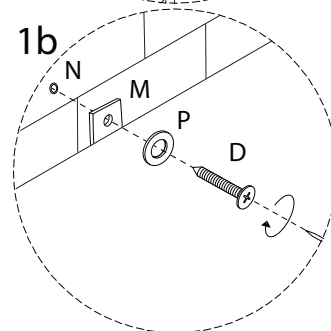
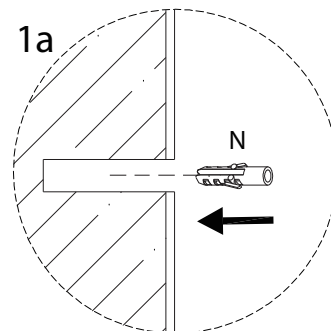
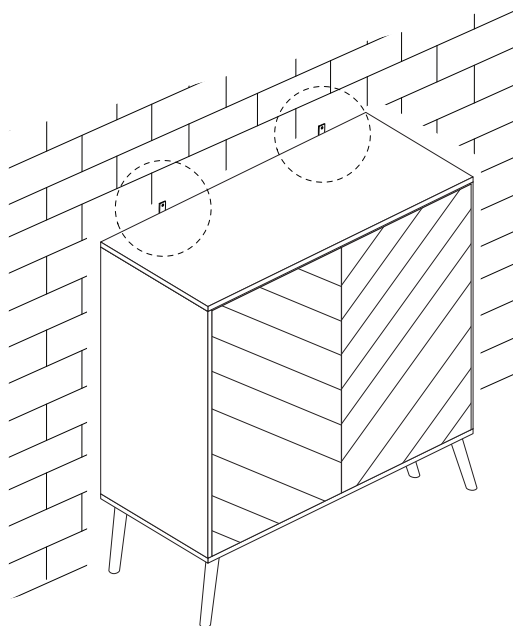


21

D  
M4  
x  
35  
x 2

N  
x 2

P  
x 2





!

