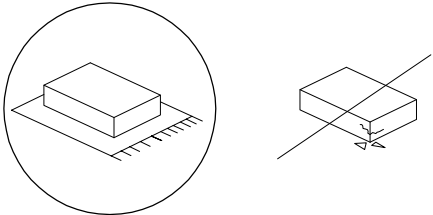

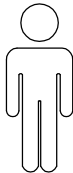
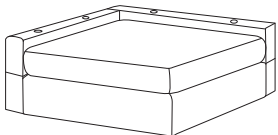
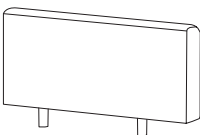
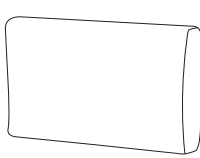
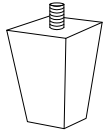
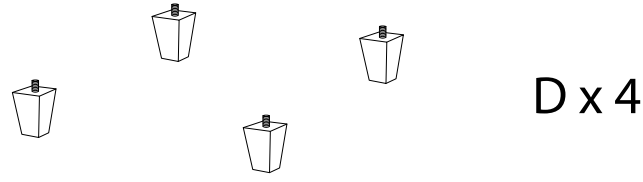
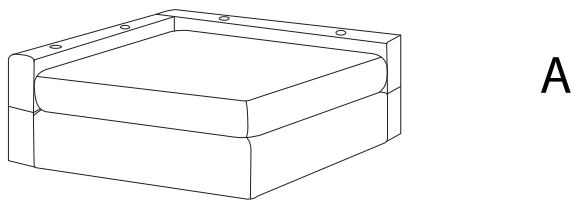
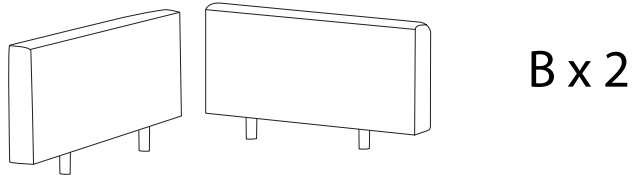
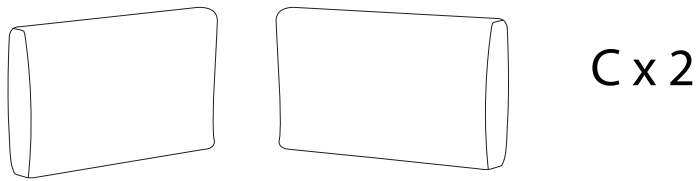
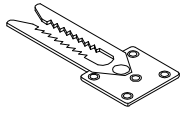
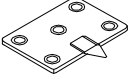

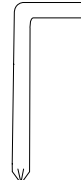
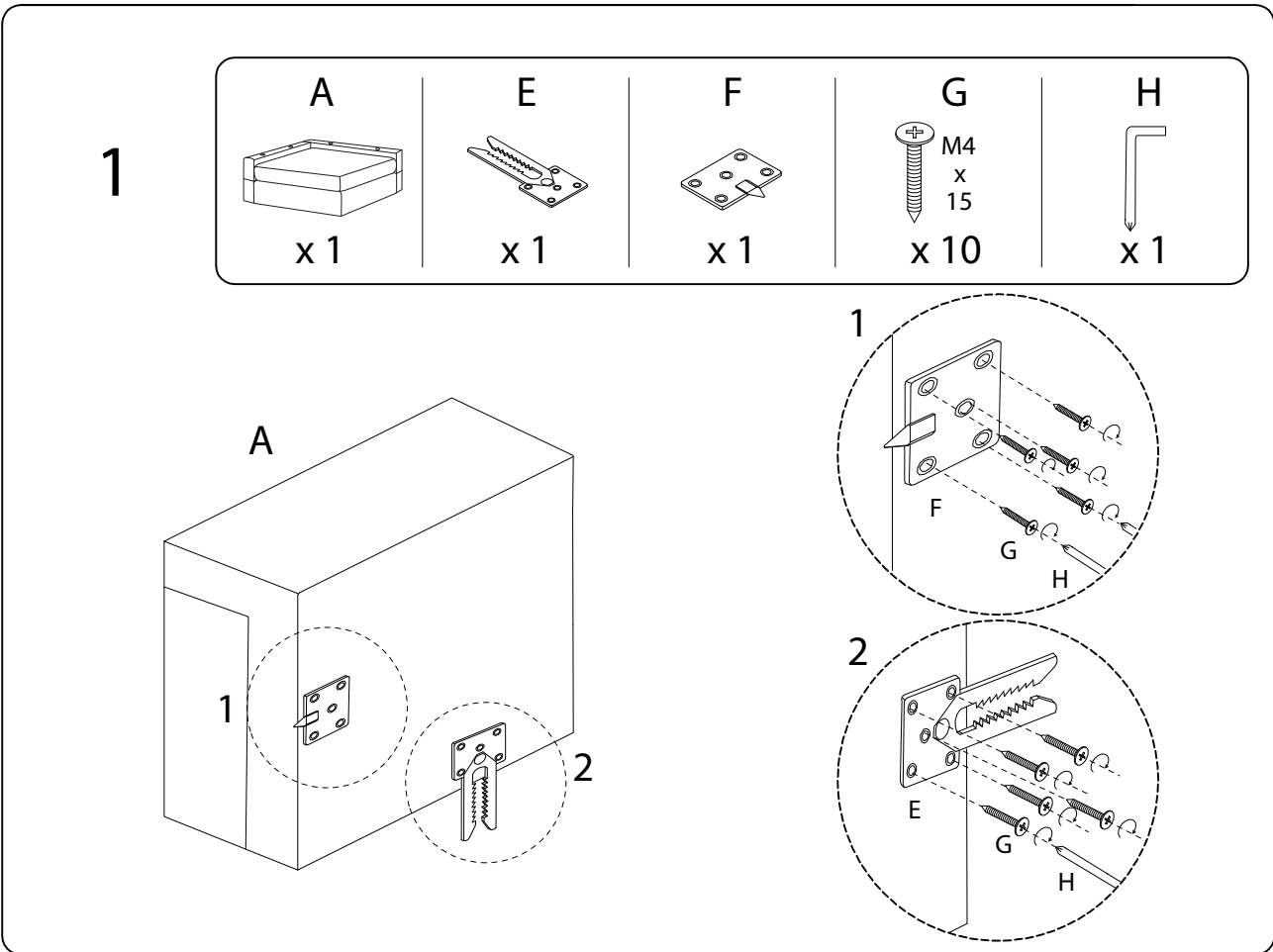
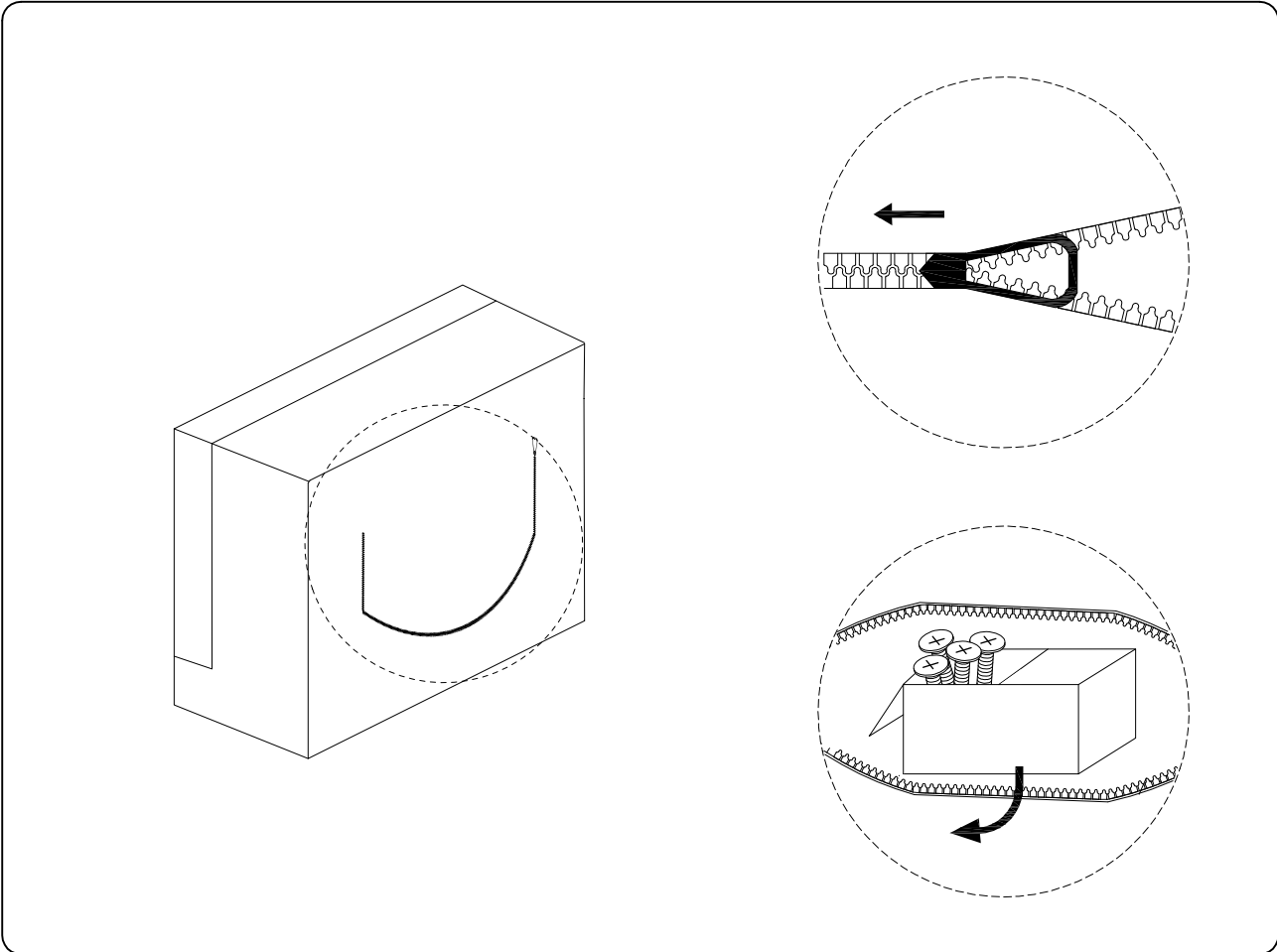

		5'
		
		1

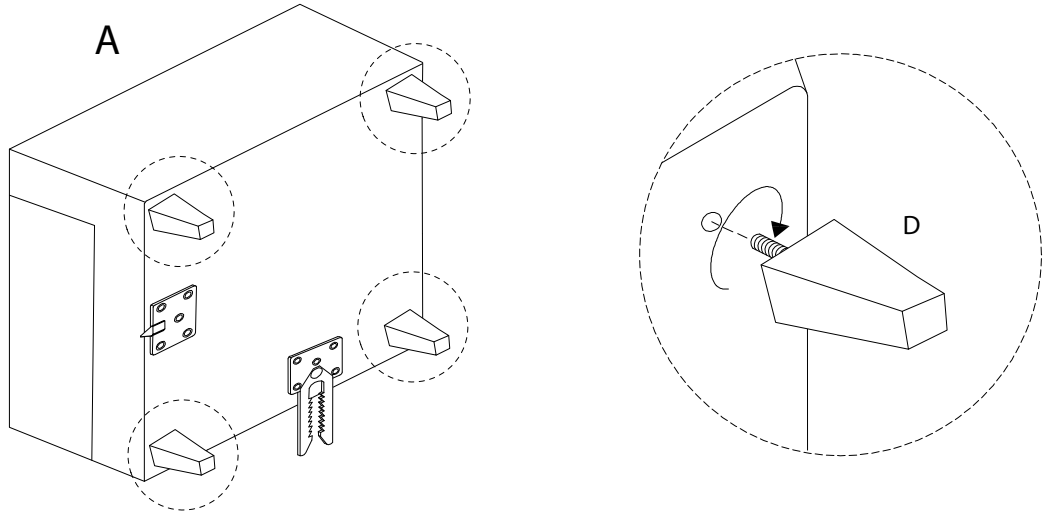
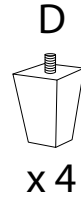
A	B	C	D
			
x 1	x 2	x 2	x 4



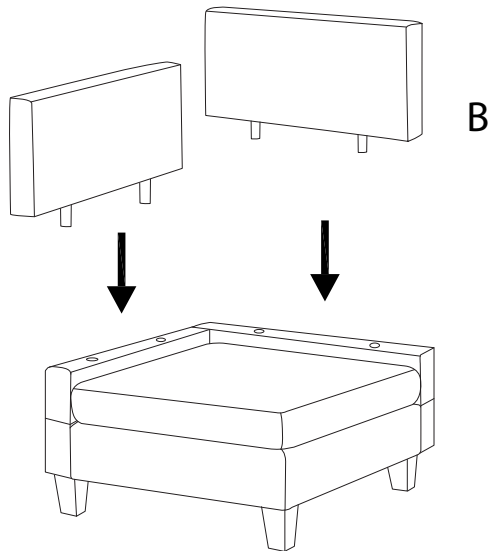
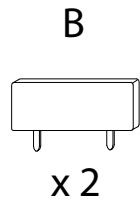
E	F	G	H
			
x 1	x 1	x 10	x 1



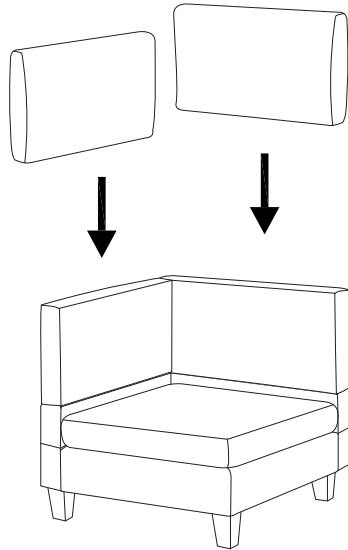
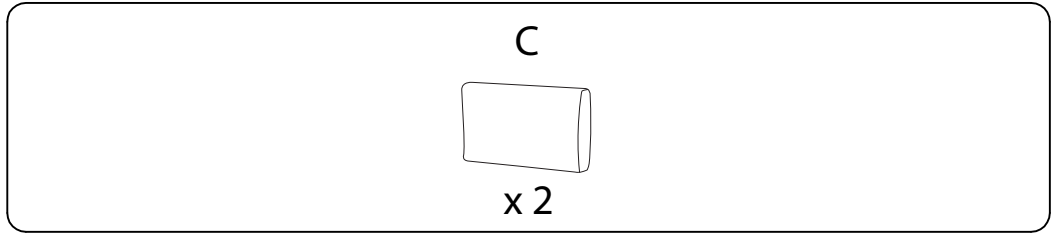
2



3



4



!

