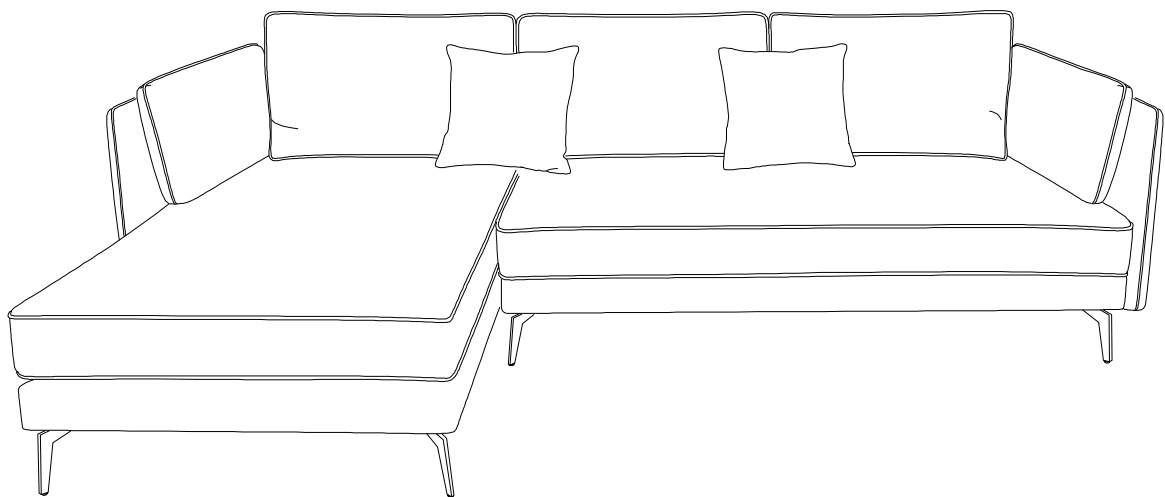
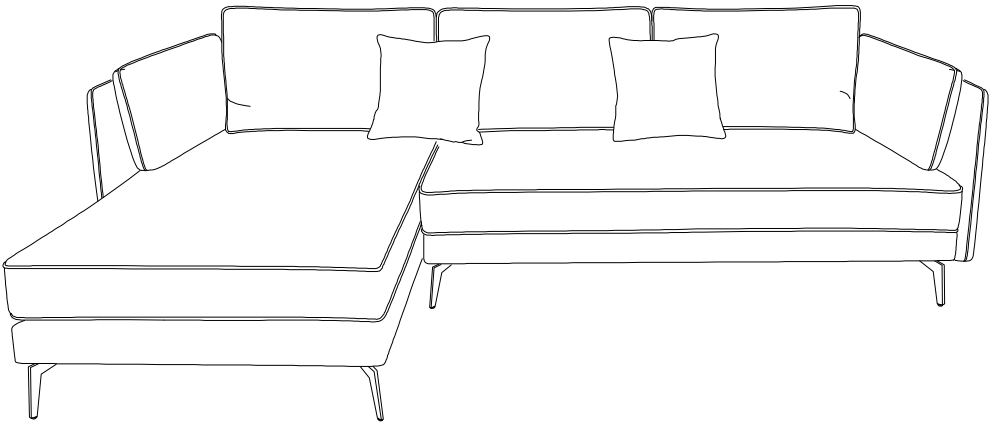
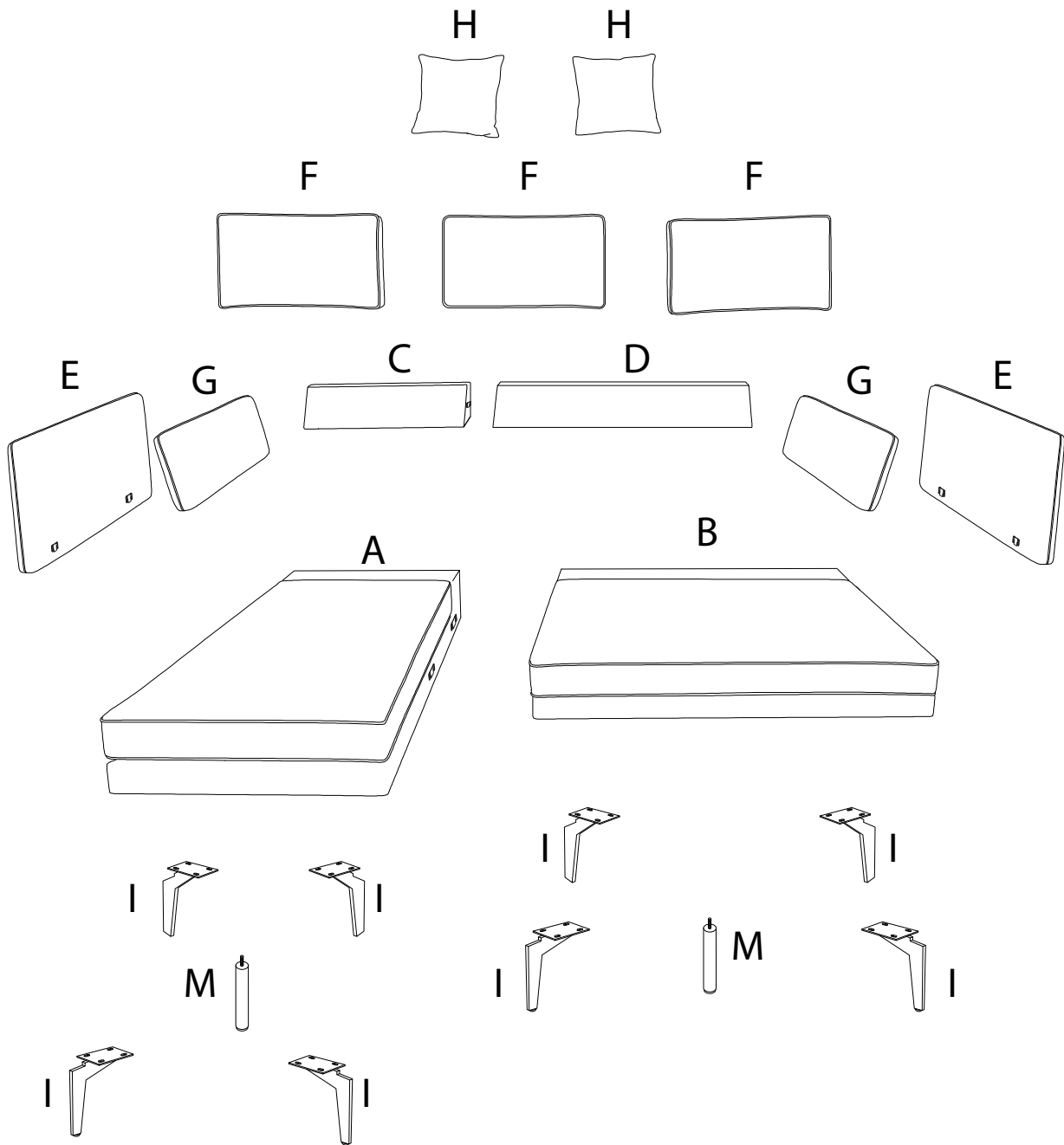


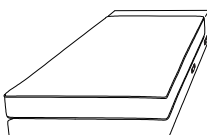



ALTAN



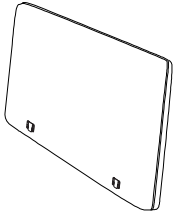


		<p>30'</p>
		<p>2</p>



A	B	C	D
			
x 1	x 1	x 1	x 1

E



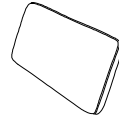
x 2

F



x 3

G



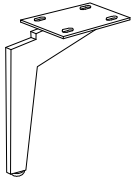
x 2

H



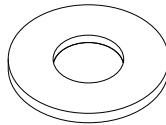
x 1

I



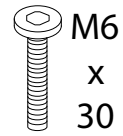
x 8

J



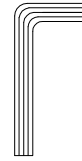
x 32

K



x 32

L



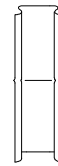
x 1

M



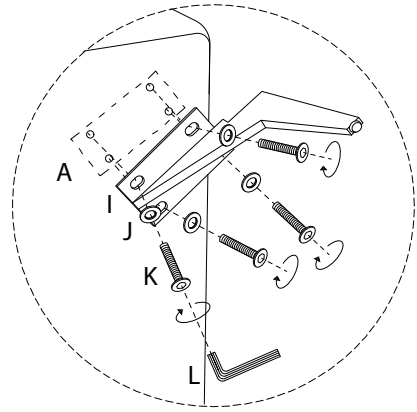
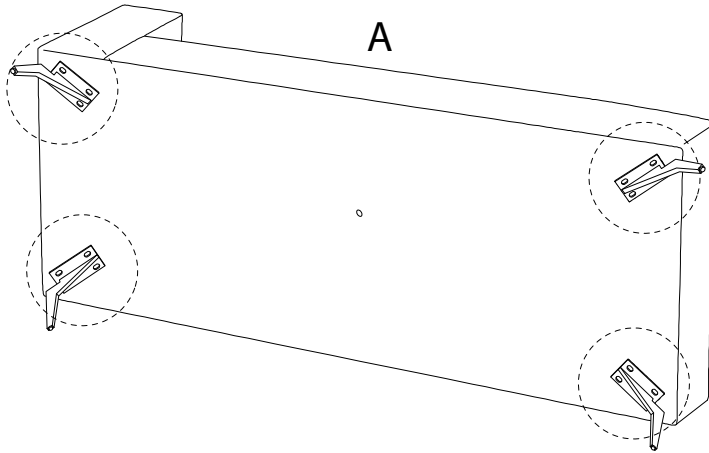
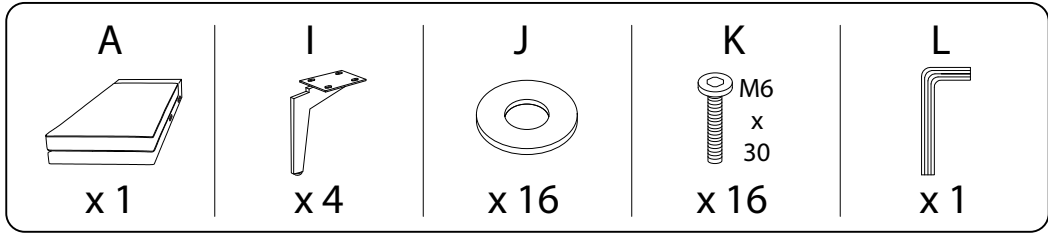
x 2

N

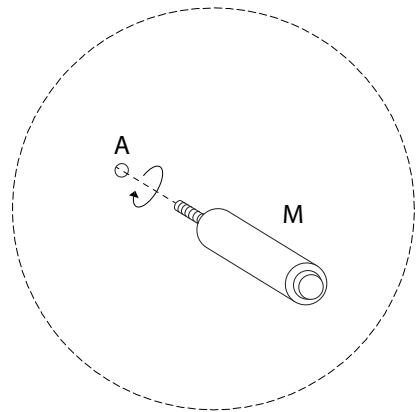
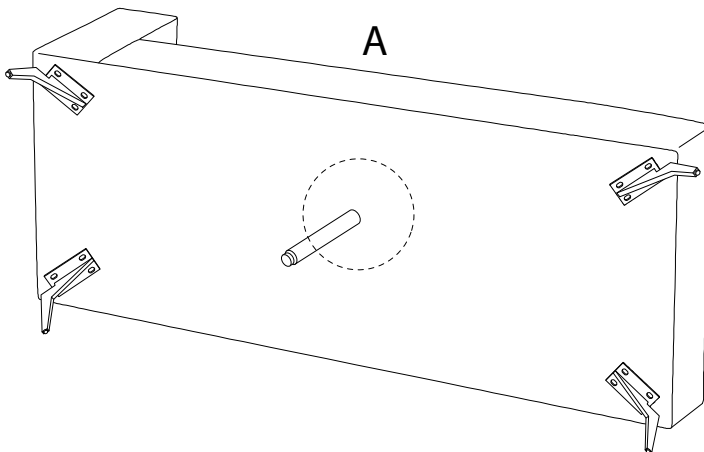
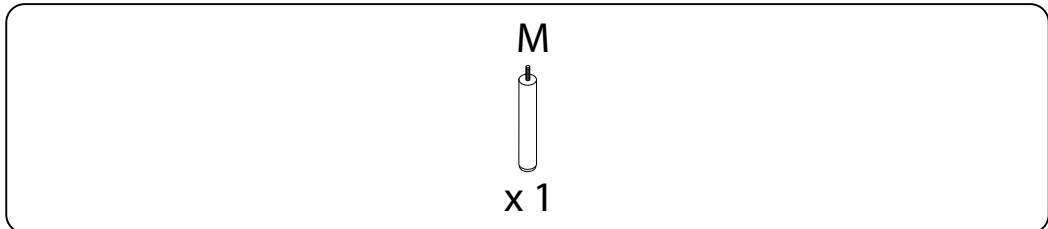


x 4

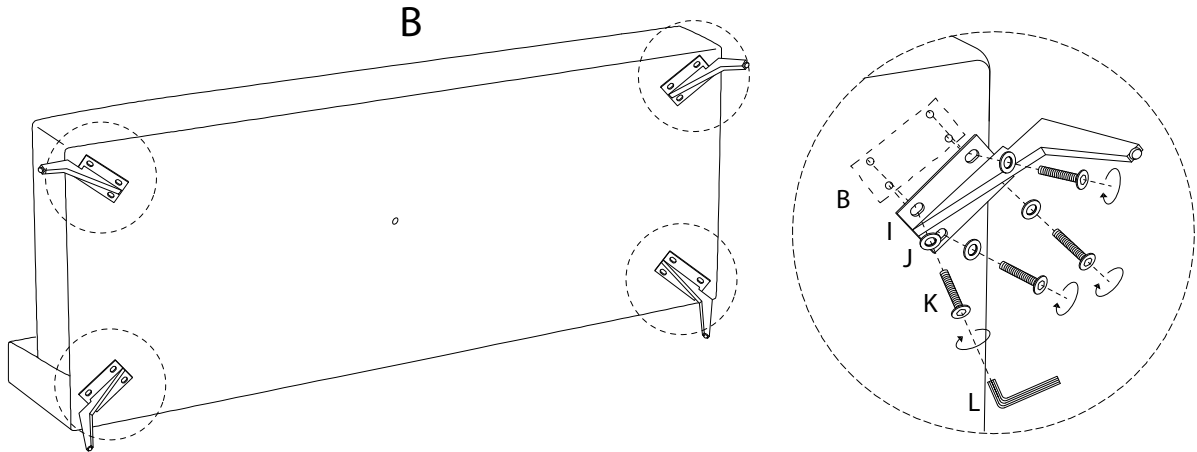
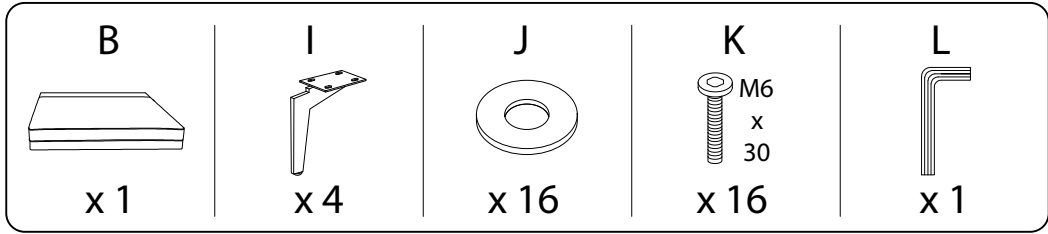
1



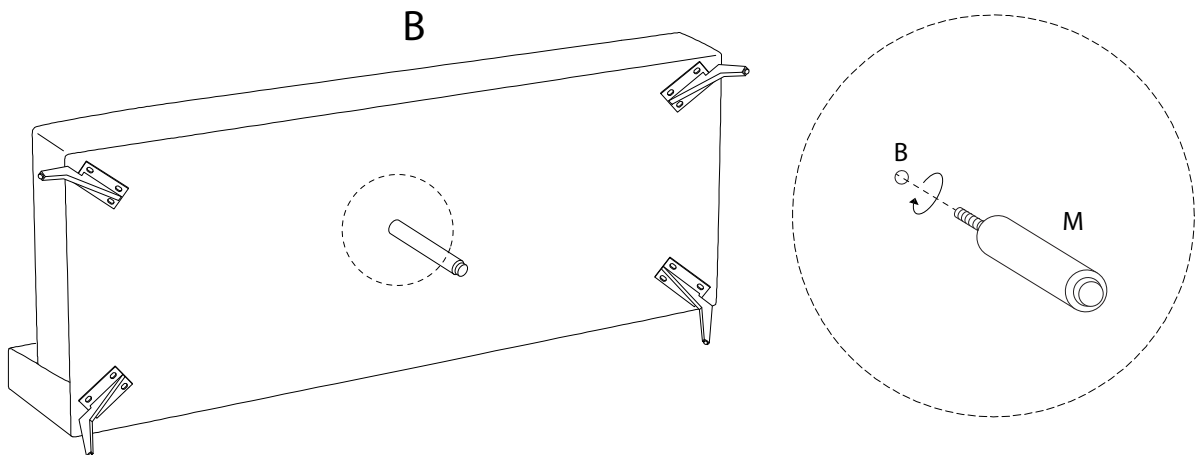
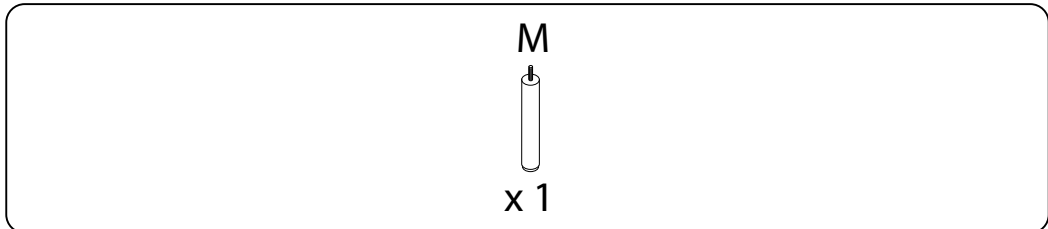
2



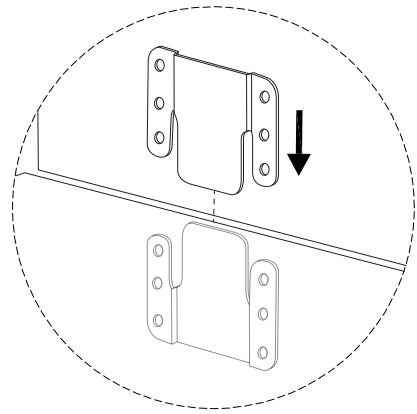
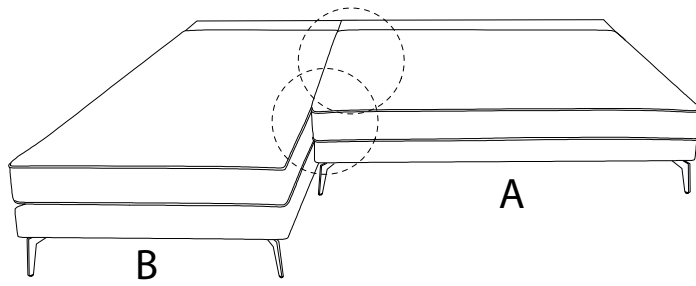
3



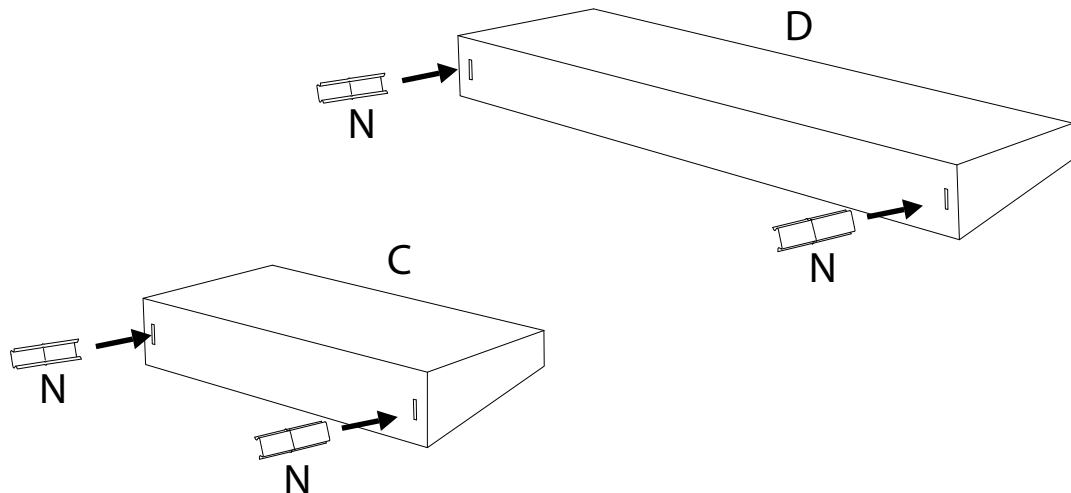
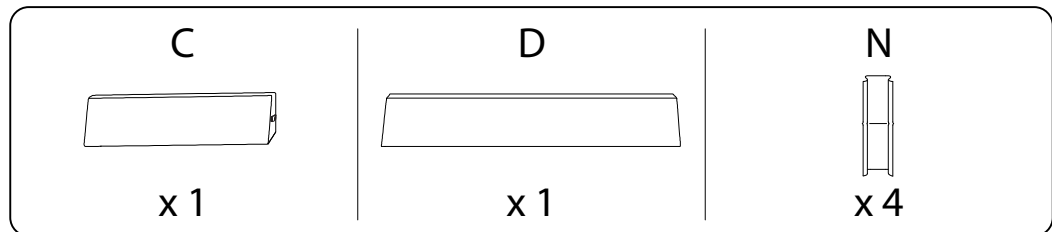
4



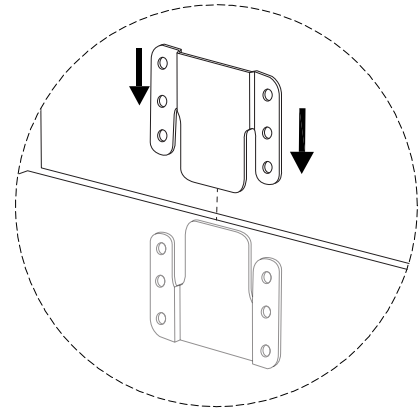
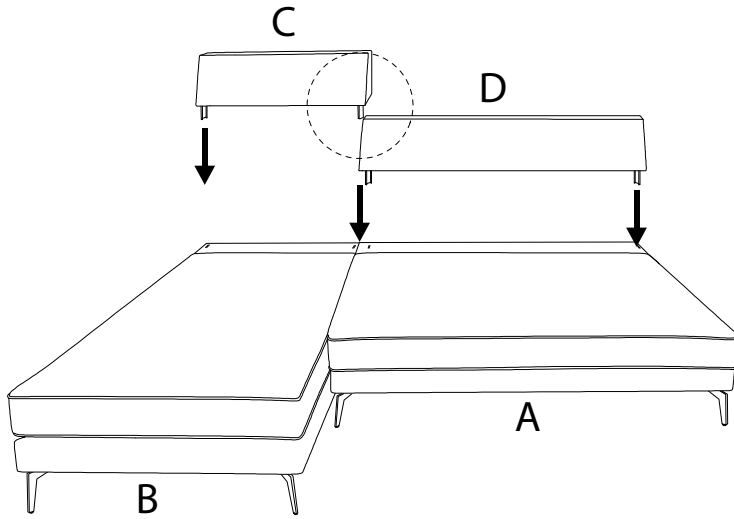
5



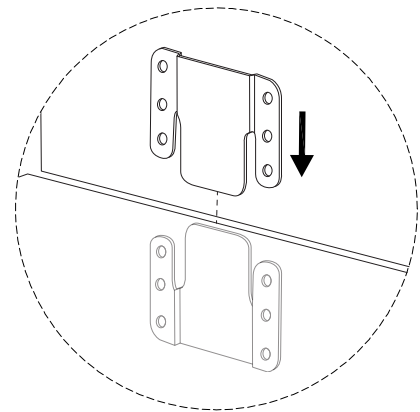
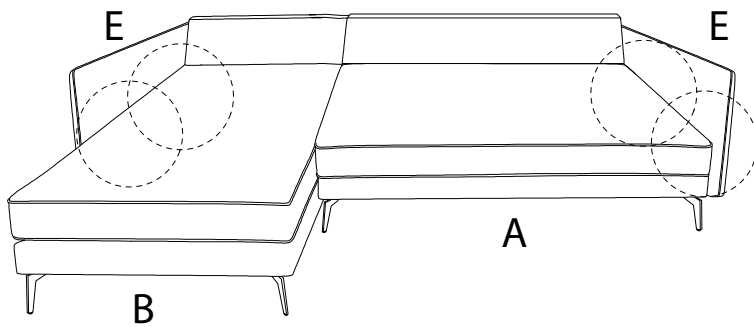
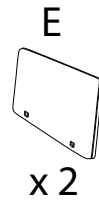
6



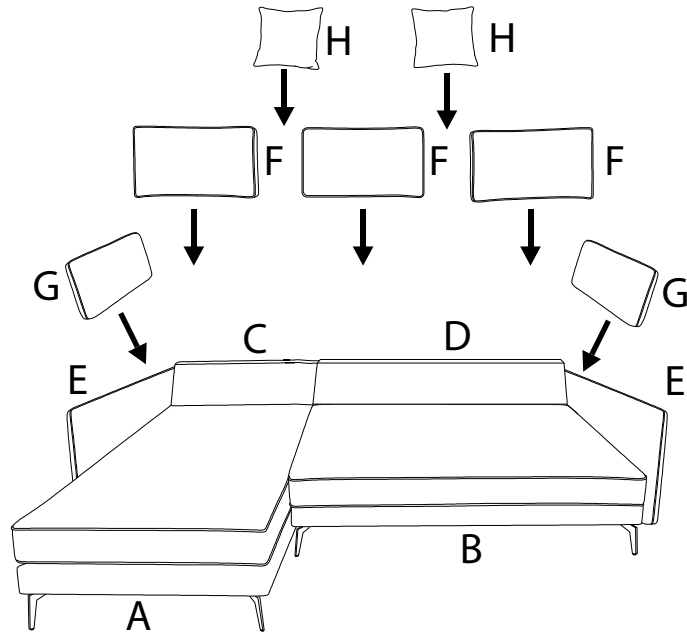
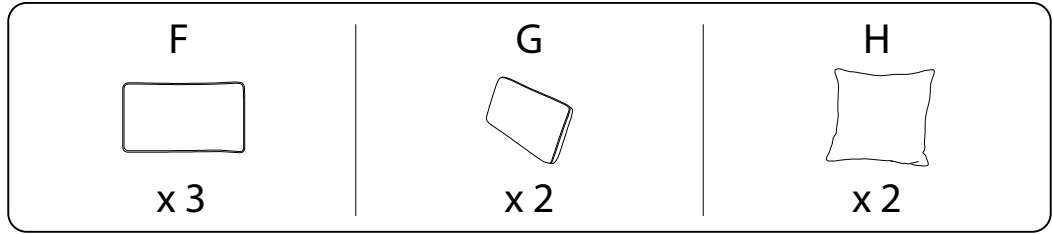
7



8



9



10

