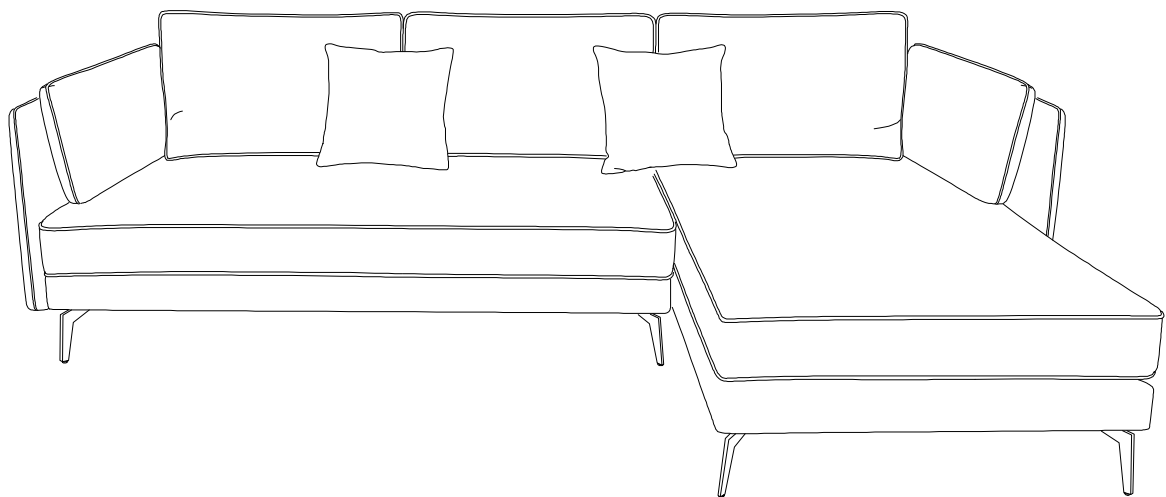
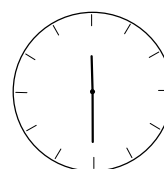
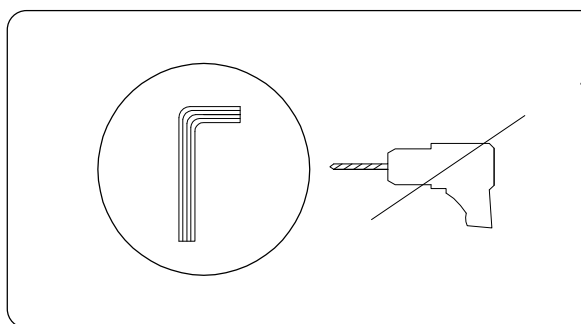
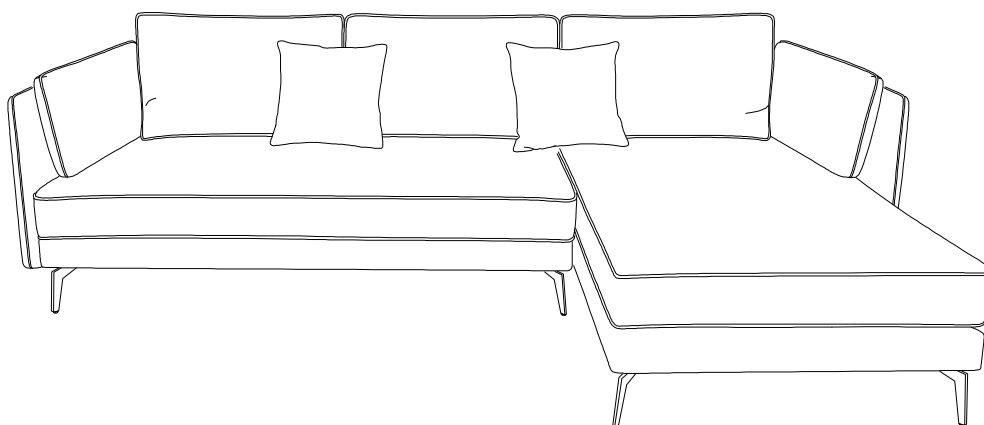
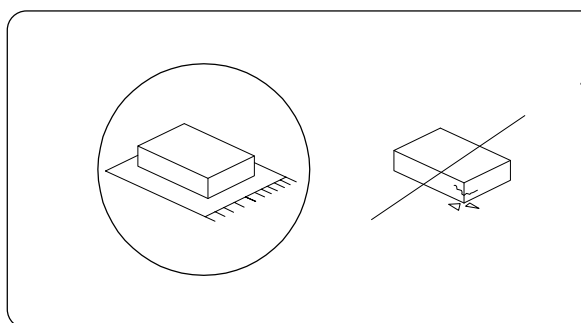


# ALTAN

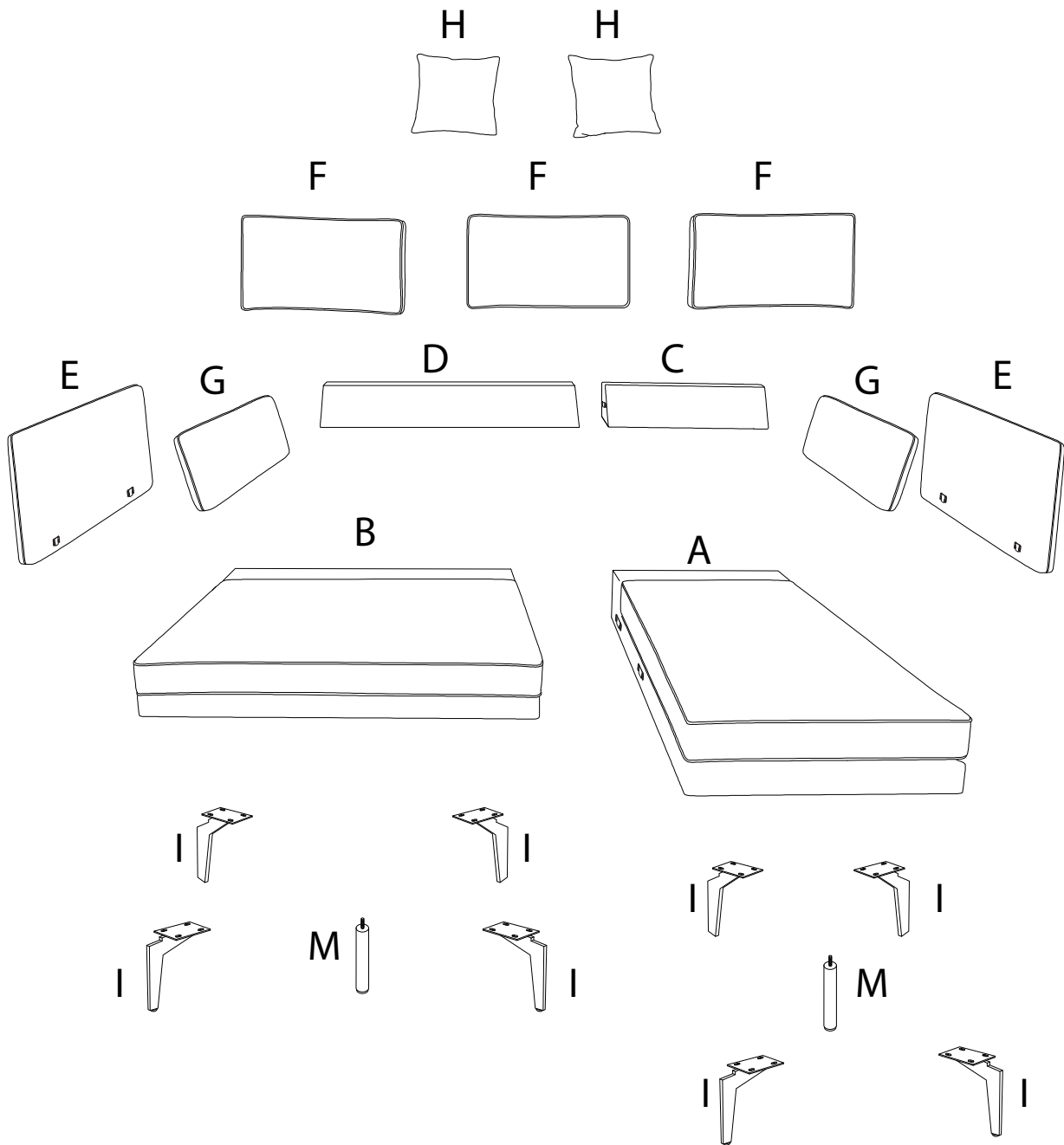


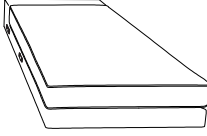
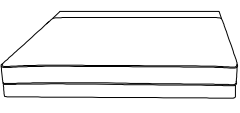

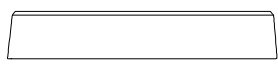


30'

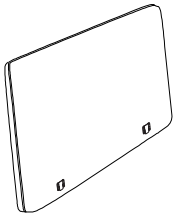


2



A	B	C	D
			
x 1	x 1	x 1	x 1

E



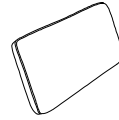
x 2

F



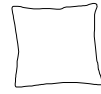
x 3

G



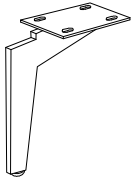
x 2

H



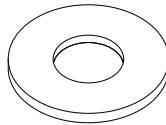
x 1

I



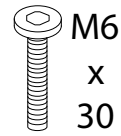
x 8

J



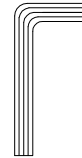
x 32

K



x 32

L



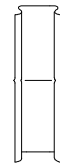
x 1

M



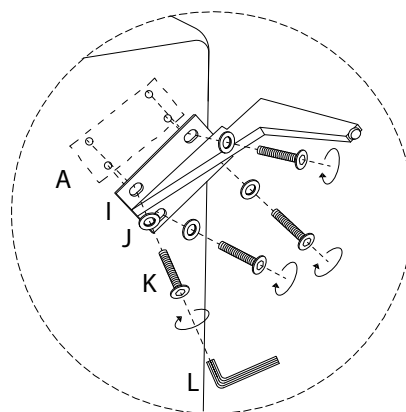
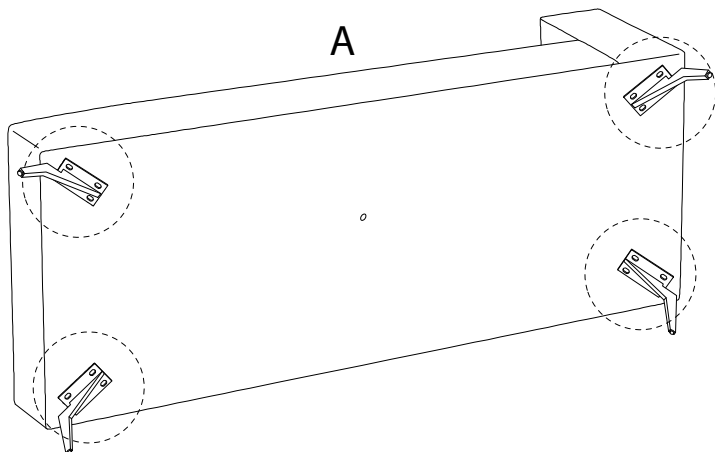
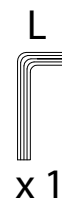
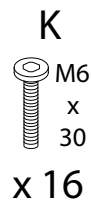
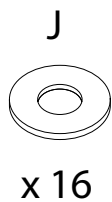
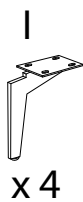
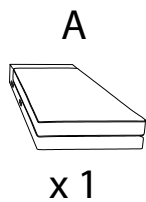
x 2

N

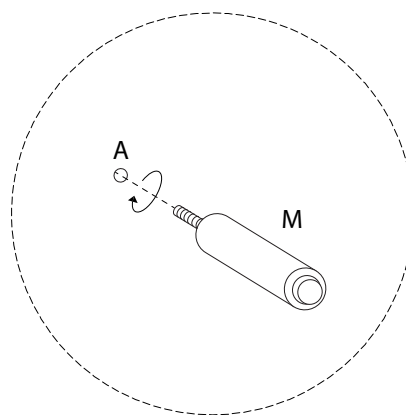
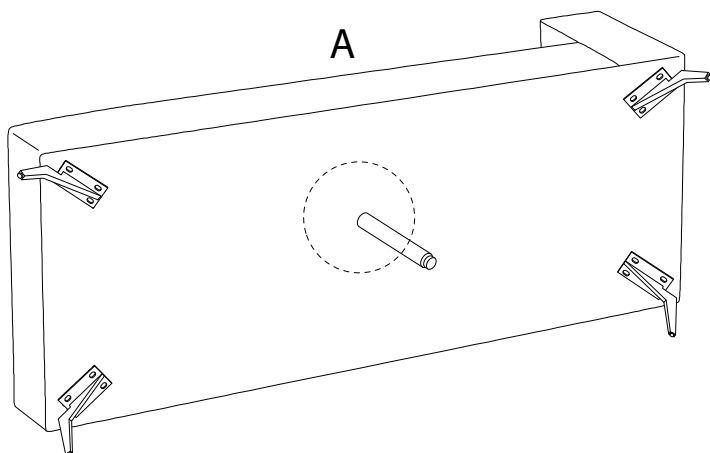
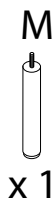


x 4

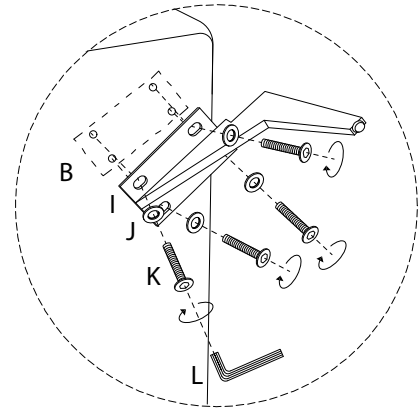
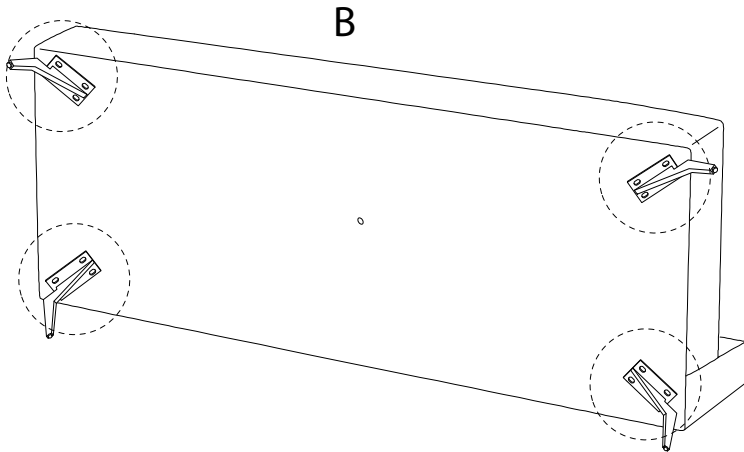
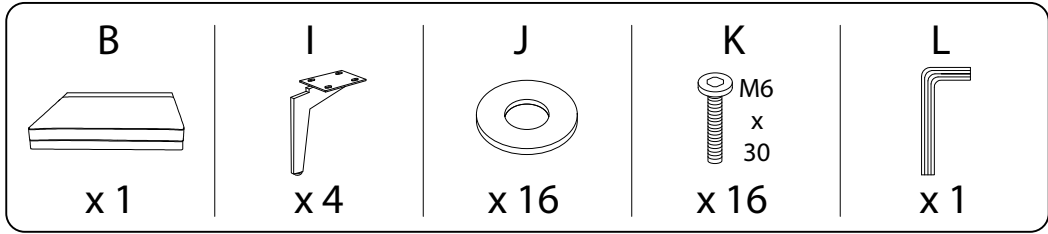
1



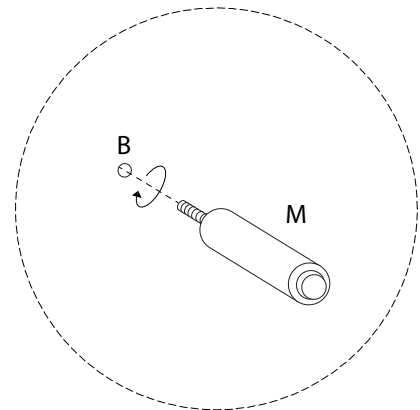
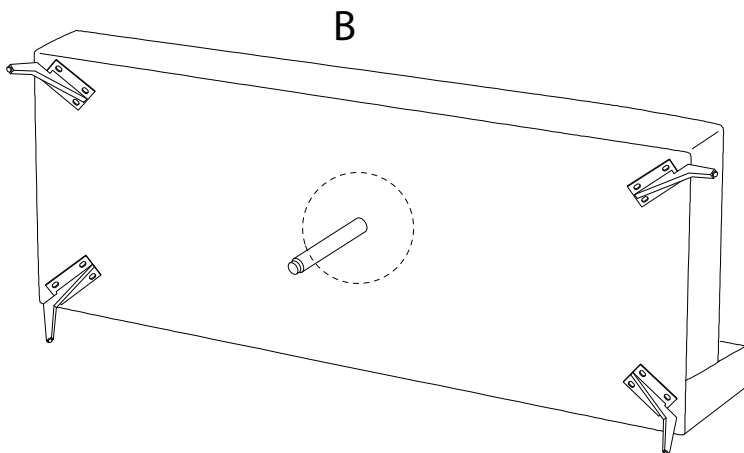
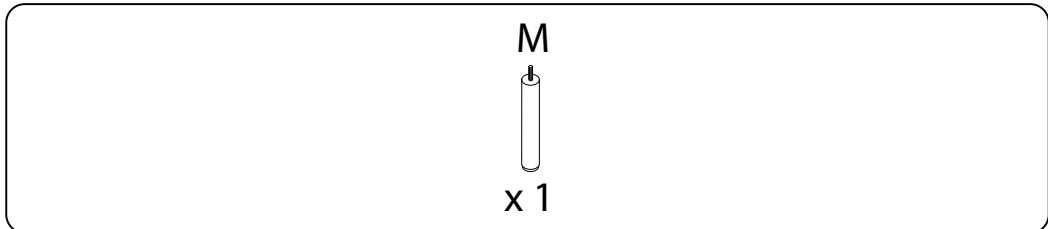
2



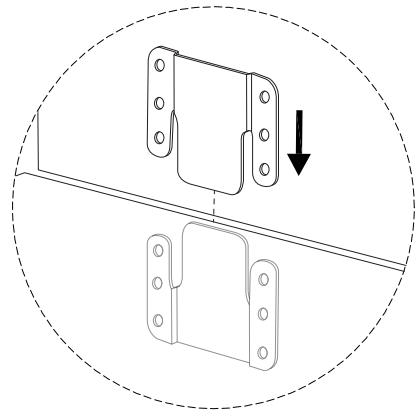
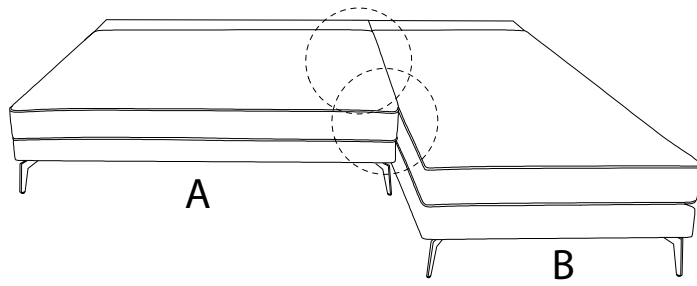
3



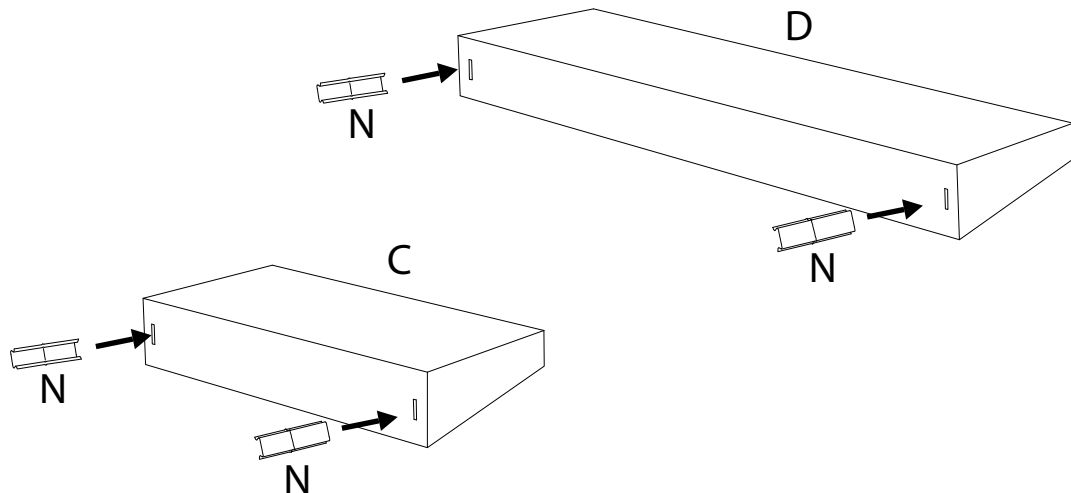
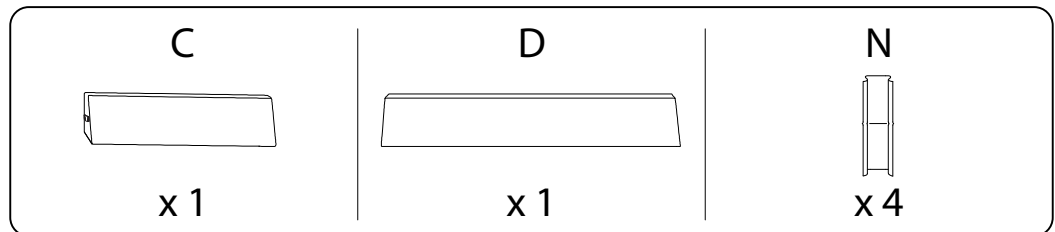
4



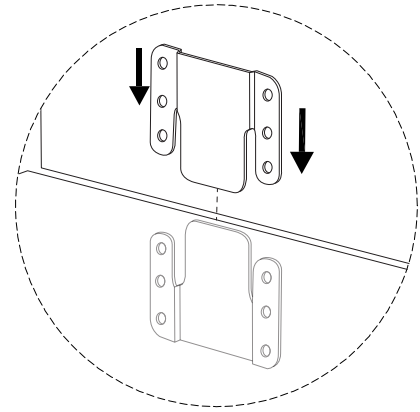
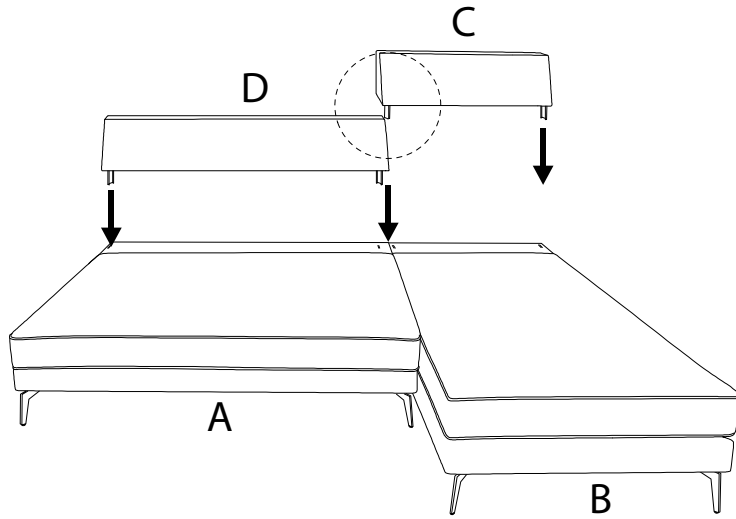
5



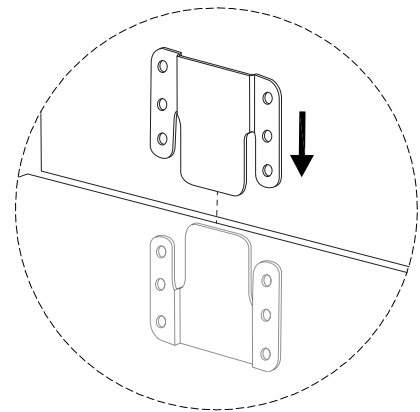
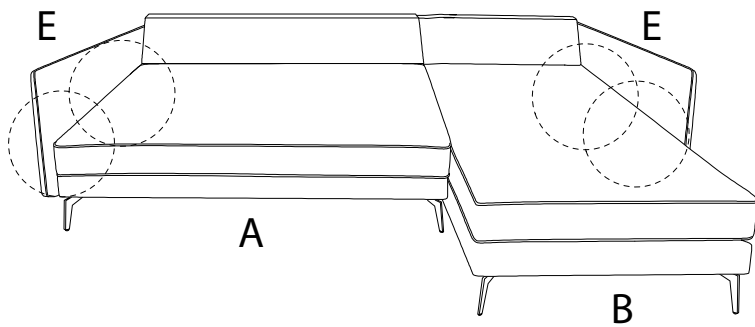
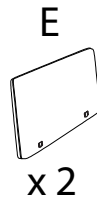
6



7

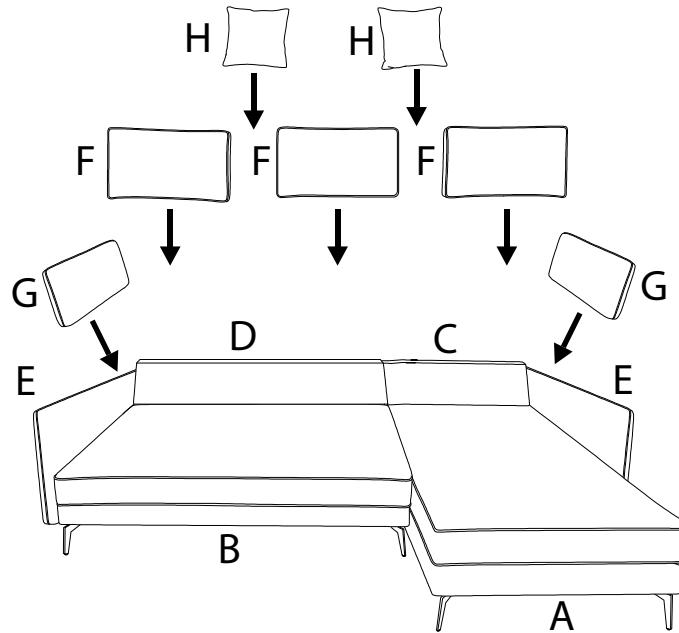
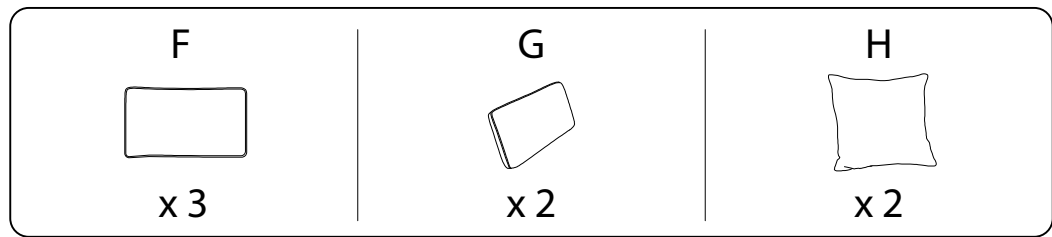


8





9



10

