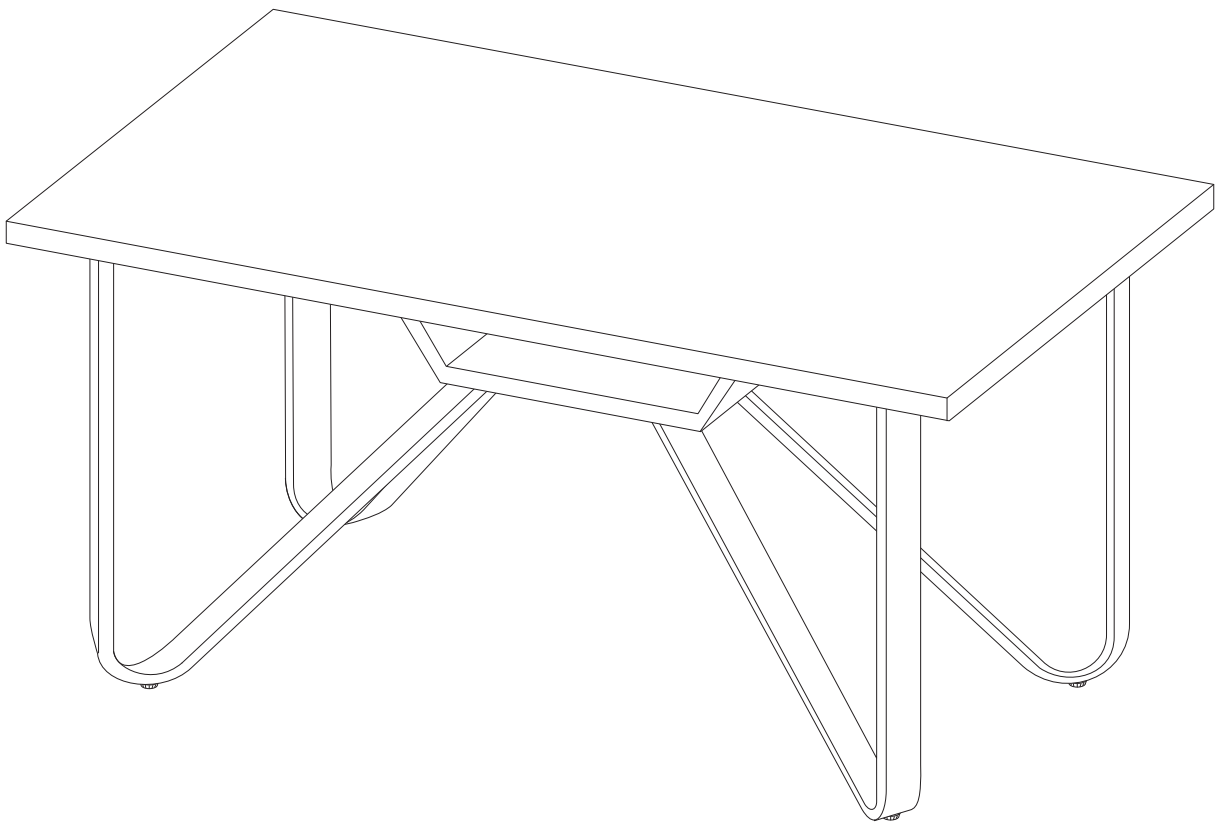


# BANDURA



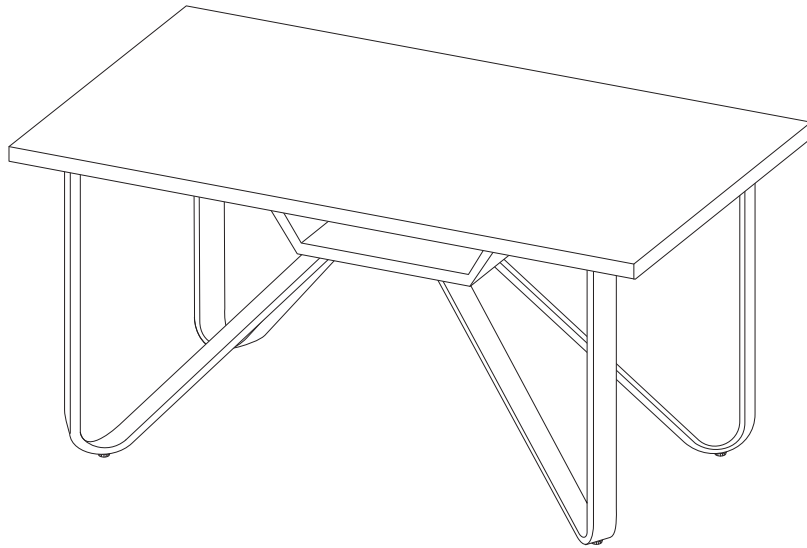
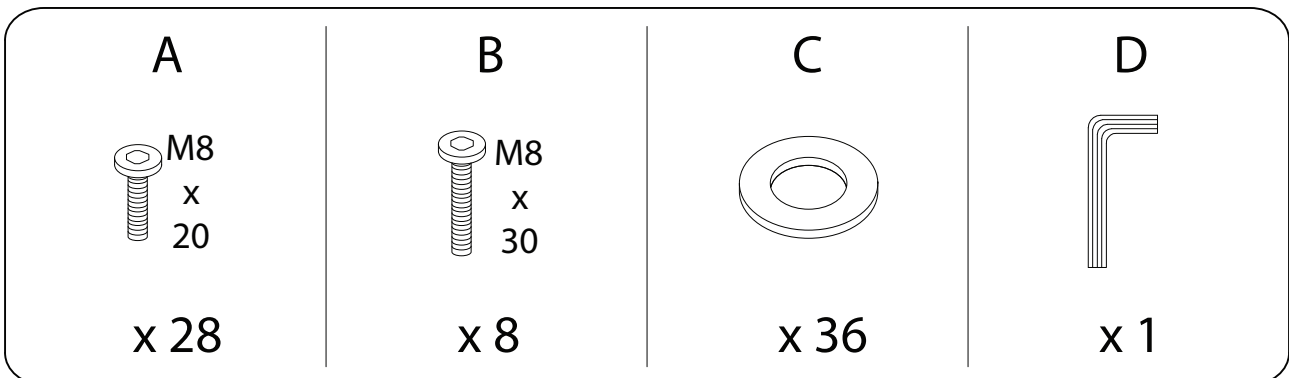
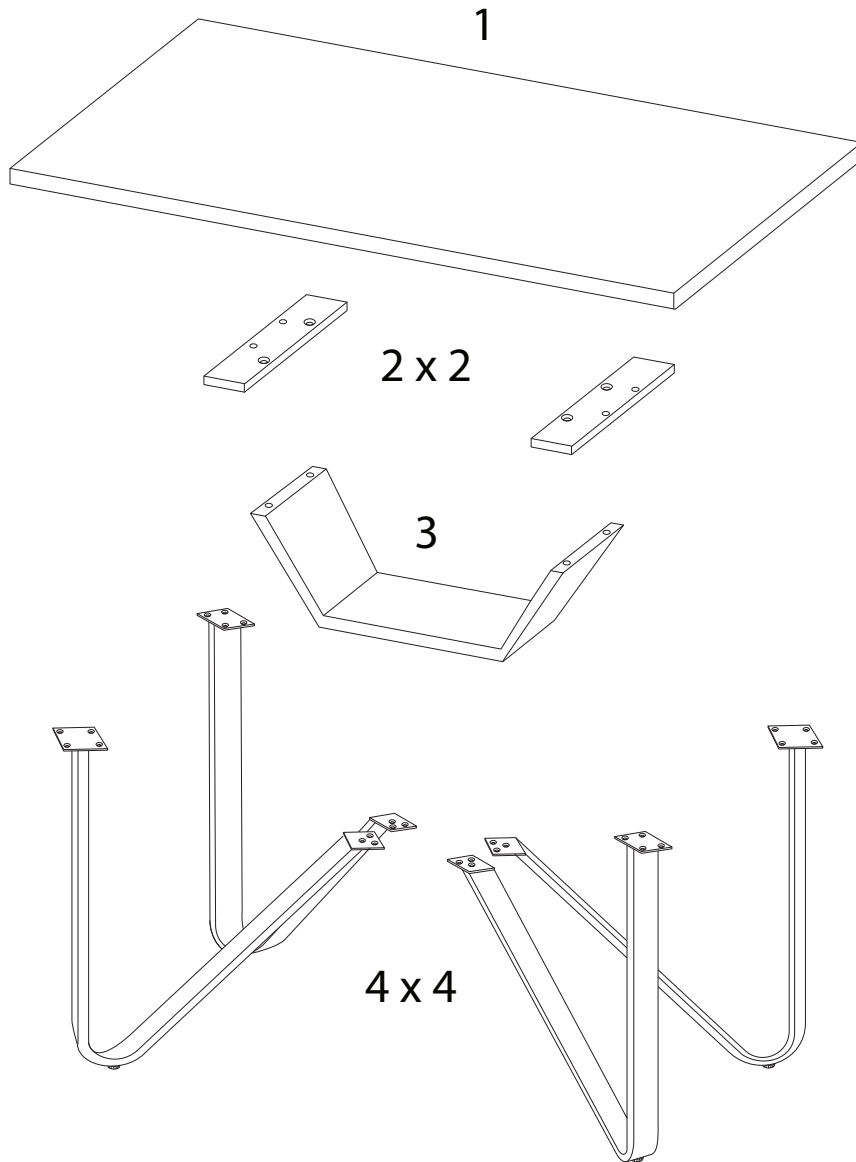
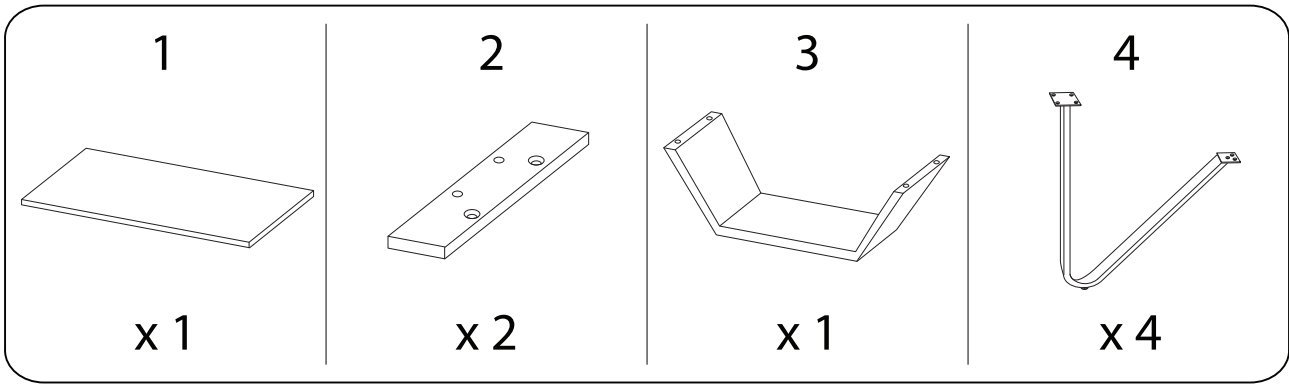
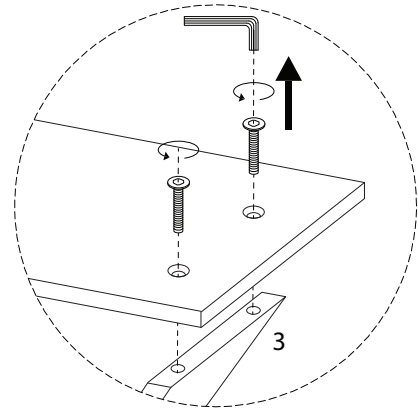
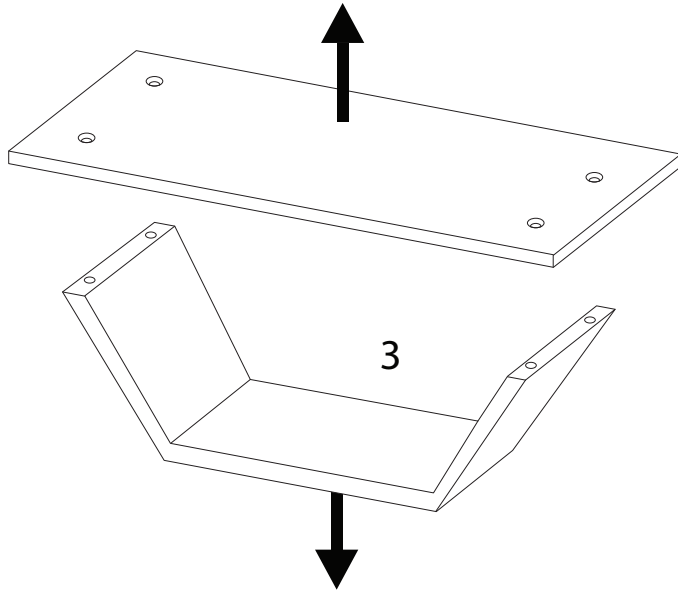


Diagram illustrating assembly instructions and safety warnings:

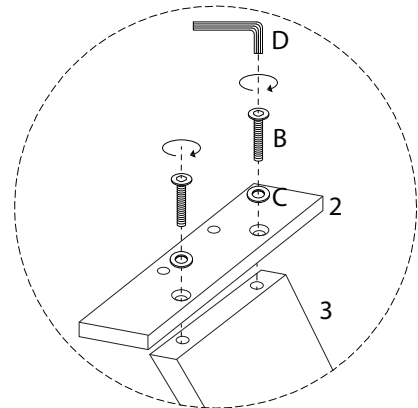
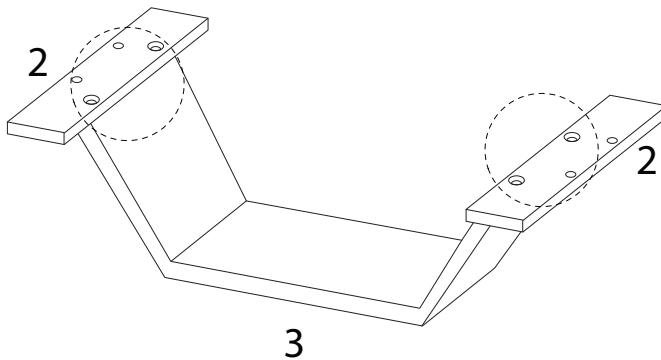
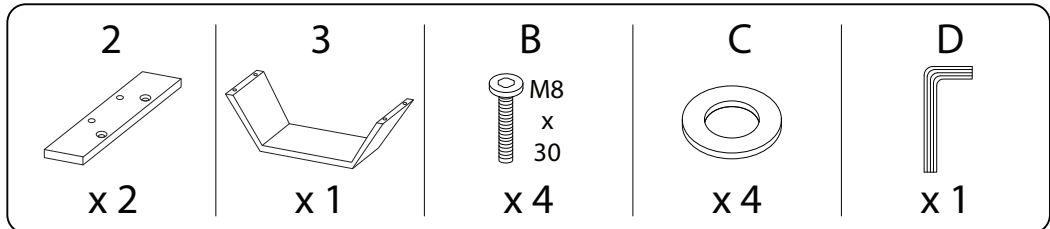
- Warning 1:** A warning triangle with an exclamation mark is positioned above a box containing an L-shaped metal bracket and a crossed-out power drill icon, indicating that a power drill should not be used for this step.
- Warning 2:** A second warning triangle with an exclamation mark is positioned above a box containing a rectangular block being placed on a surface and a crossed-out icon of the block being lifted, indicating a lifting or placement warning.
- Time:** A clock icon is shown next to the text "40'", indicating a 40-minute assembly time.
- Personnel:** An icon of a person is shown next to the number "2", indicating that two people are required for assembly.



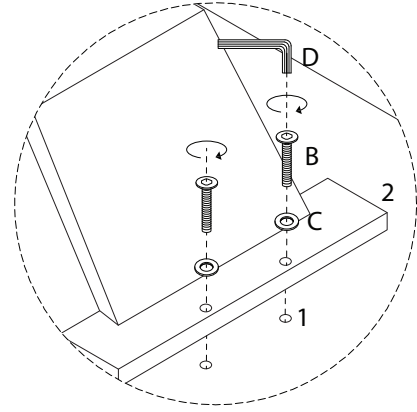
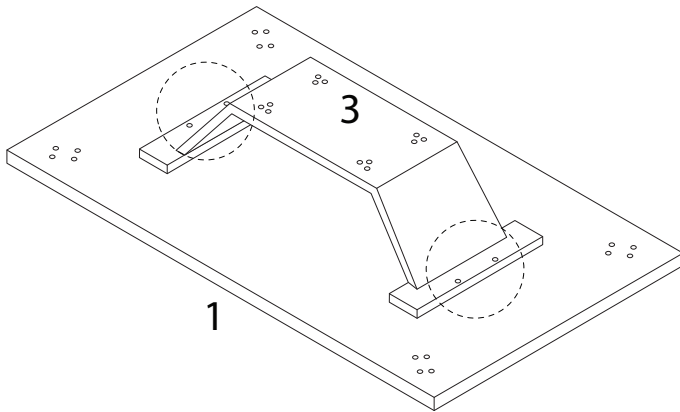
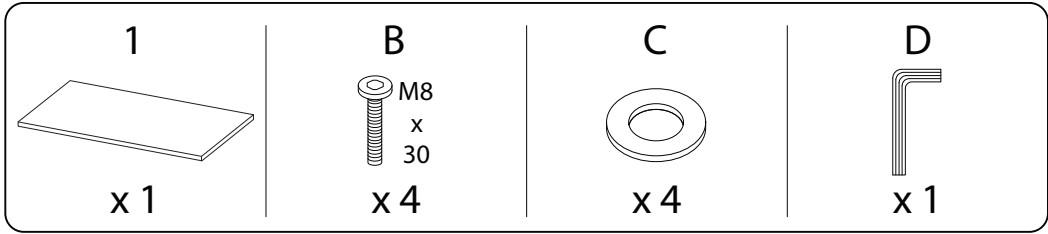
!



1



2



3

