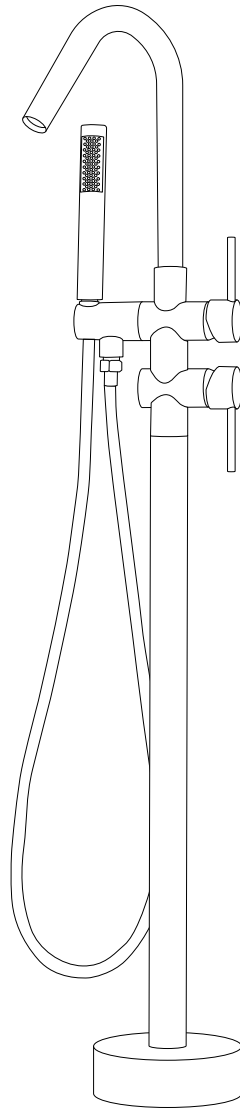
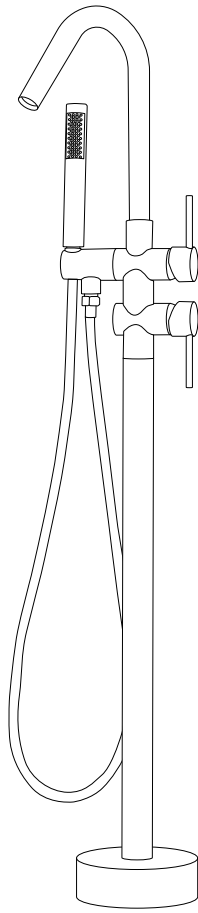
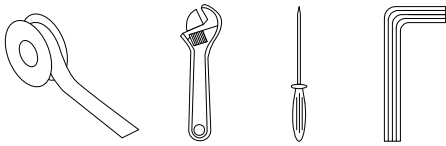

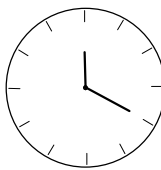
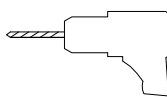

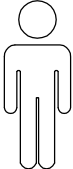
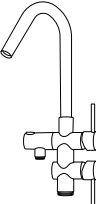

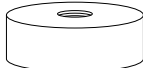




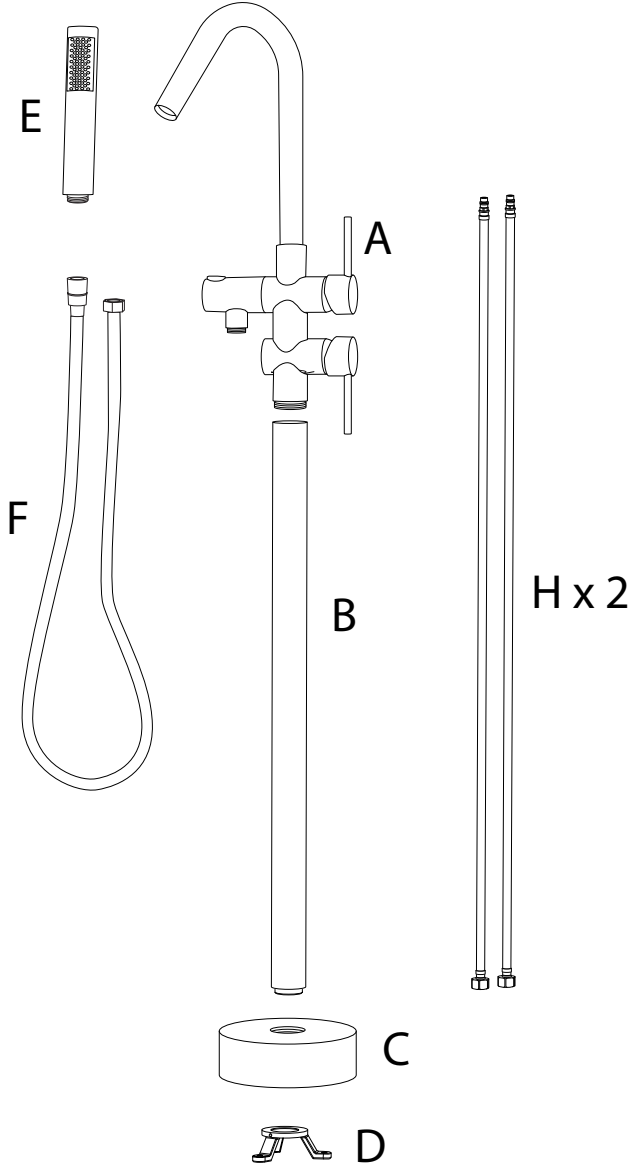
VICTORIA

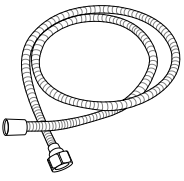

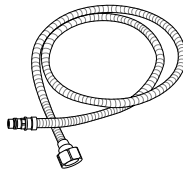
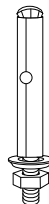
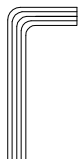




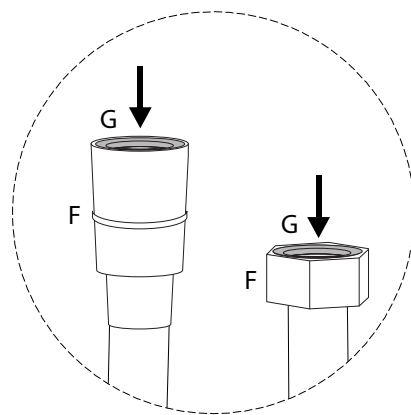
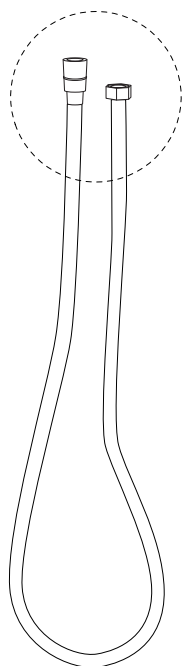
		
		
		<p>20'</p>
		<p>1</p>

A	B	C	D	E
				
x 1	x 1	x 1	x 1	x 1



F	G	H	I	J
				
x 1	x 2	x 2	x 3	x 1

!



1

B

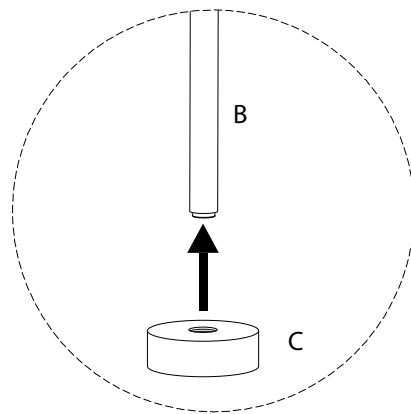
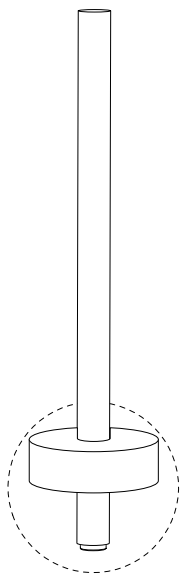


x 1

C



x 1



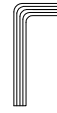
2

D

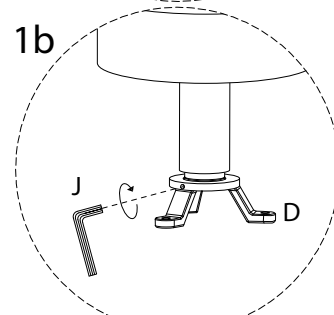
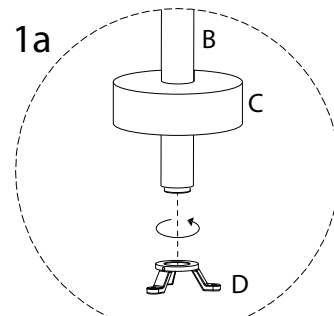
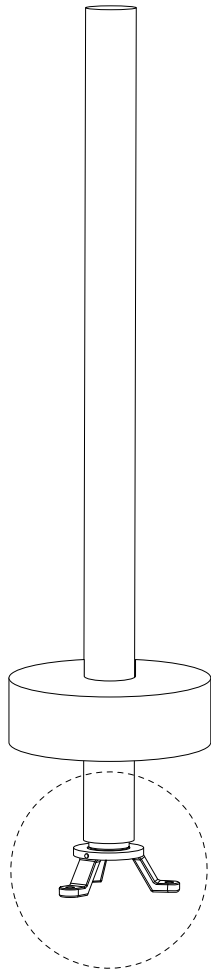


x 1

J



x 1

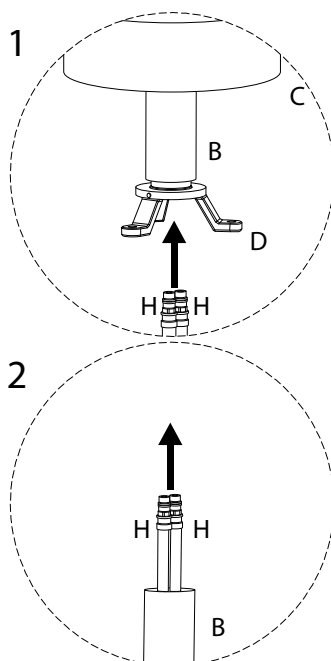
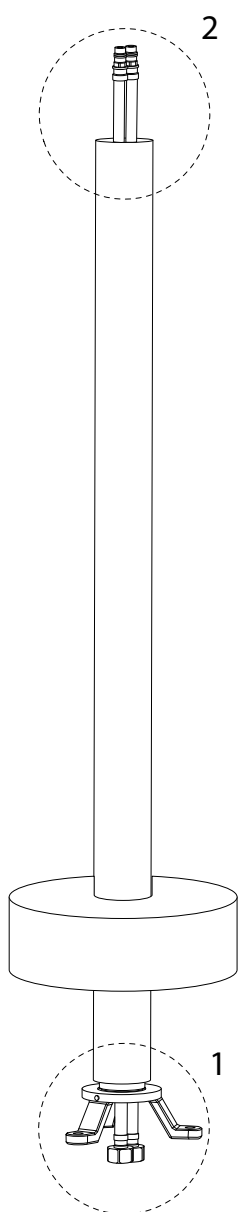


3

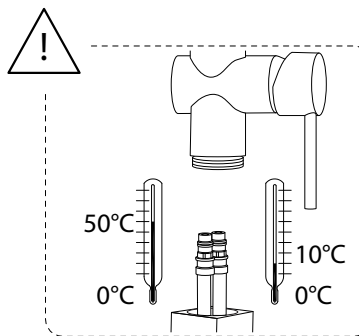
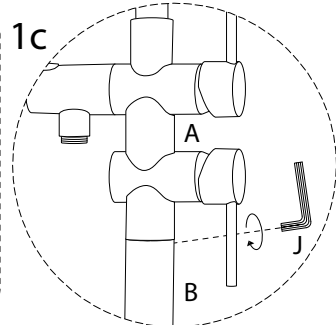
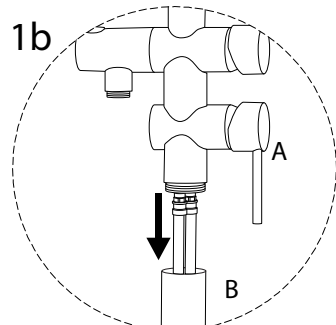
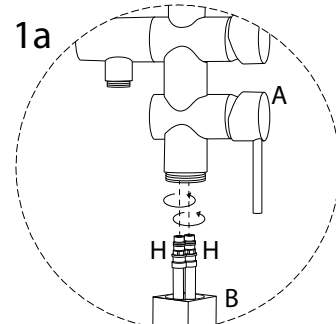
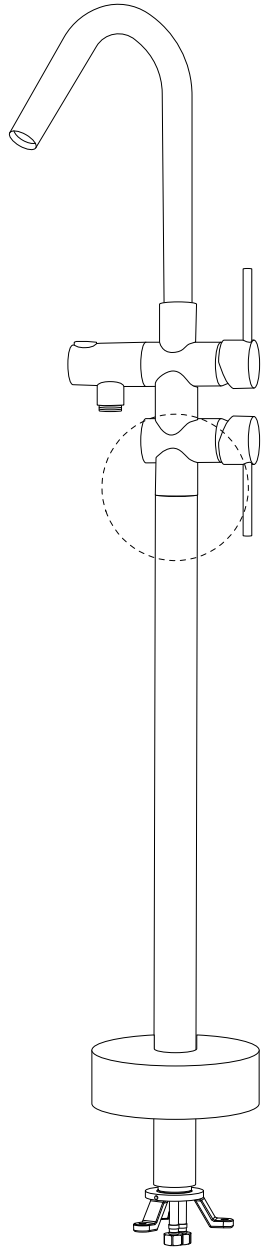
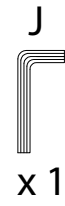
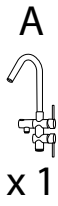
H



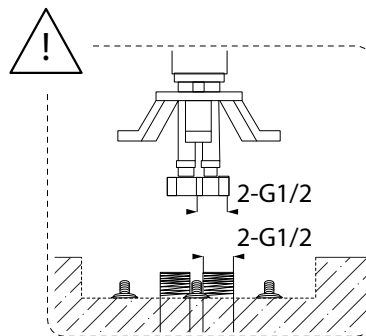
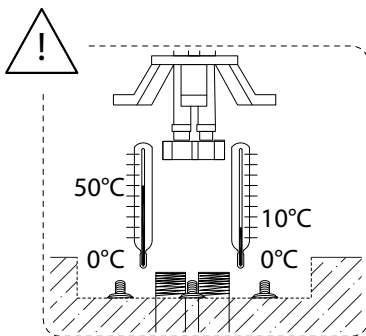
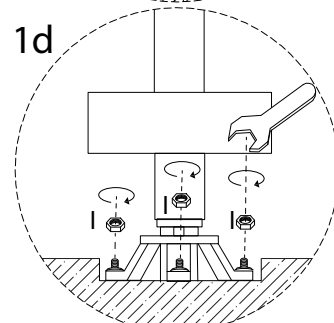
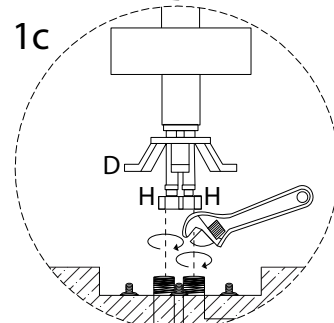
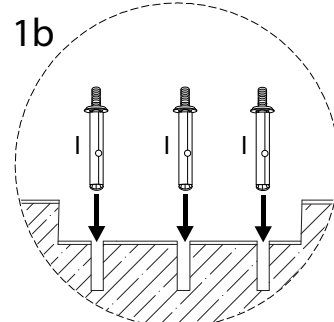
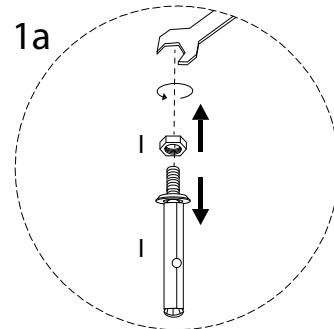
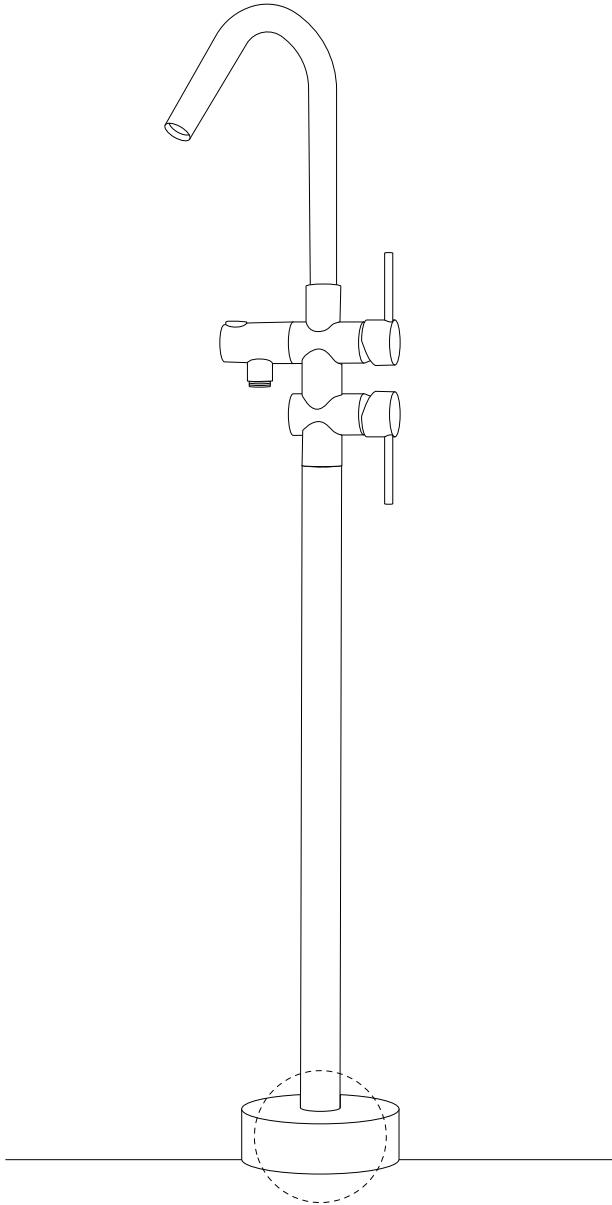
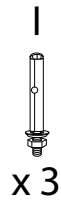
x 2



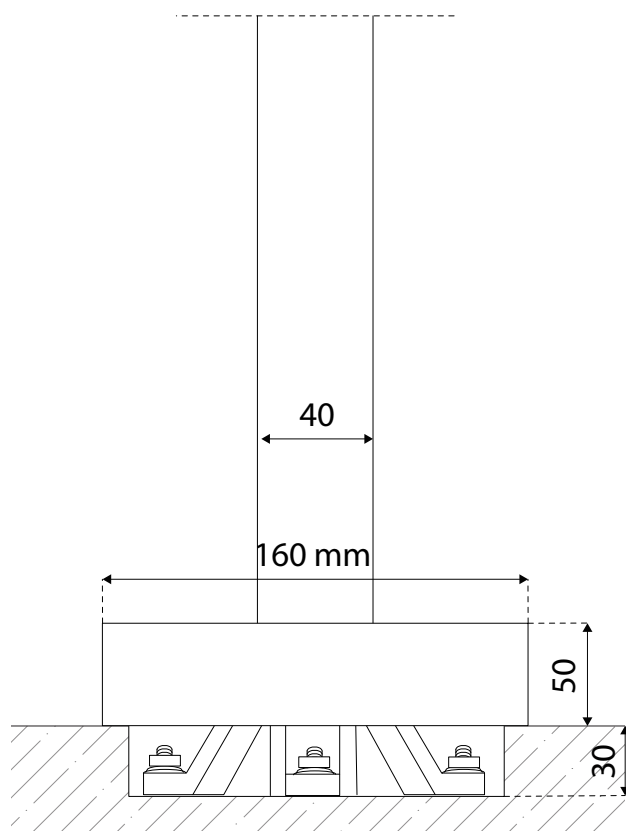
4



5



!



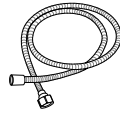
6

E



x1

F



x1

G



x2

