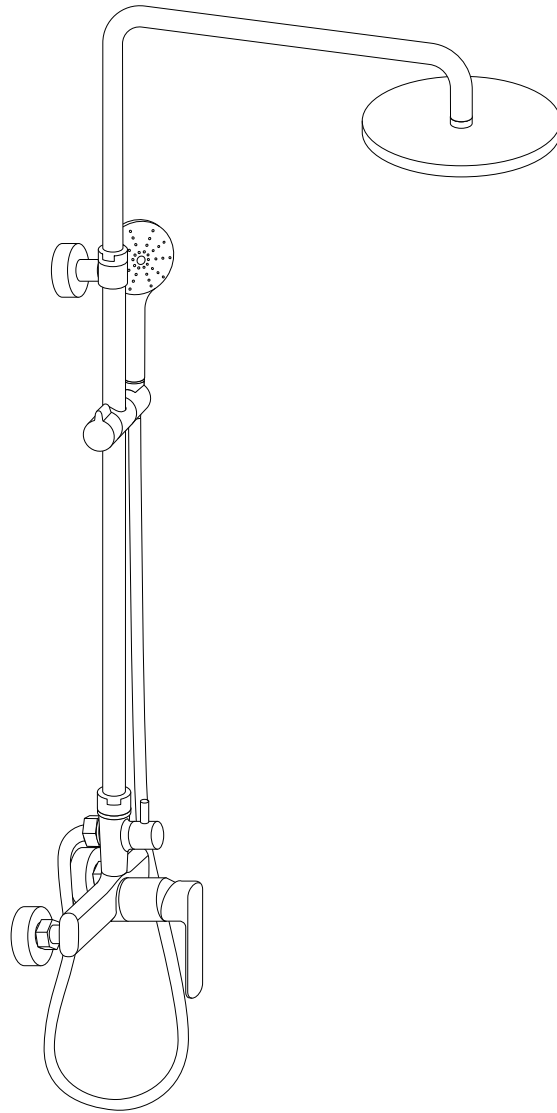
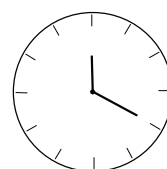
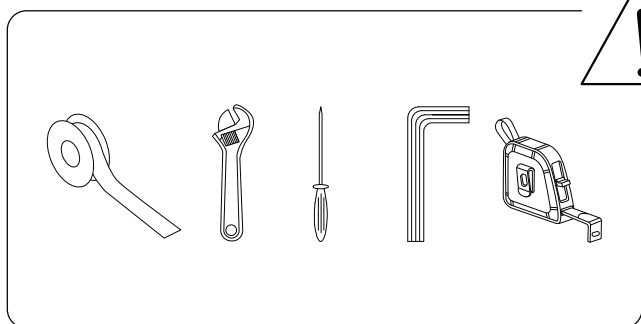
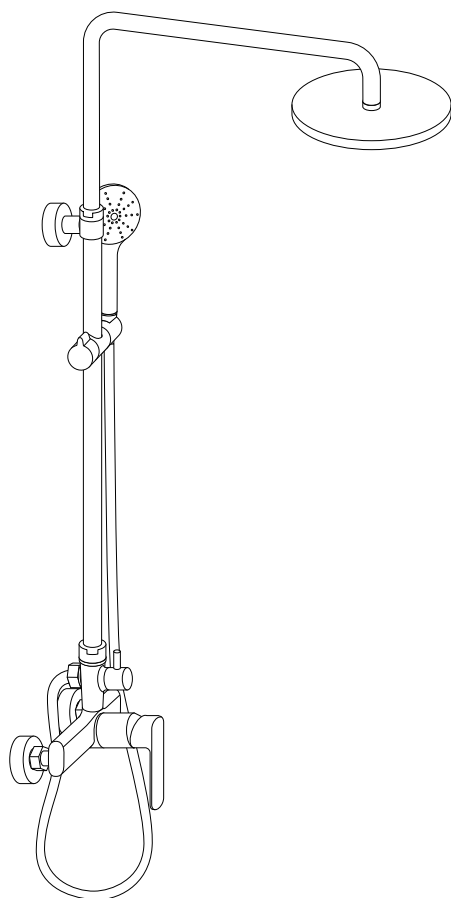
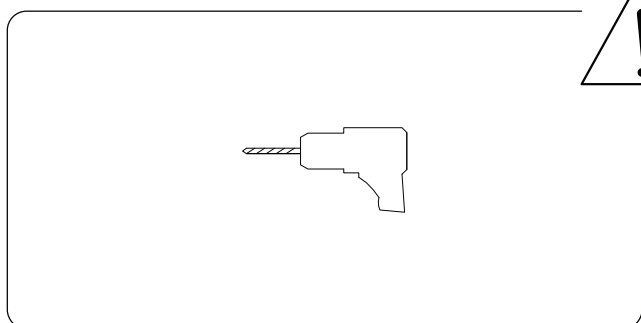


FARIN

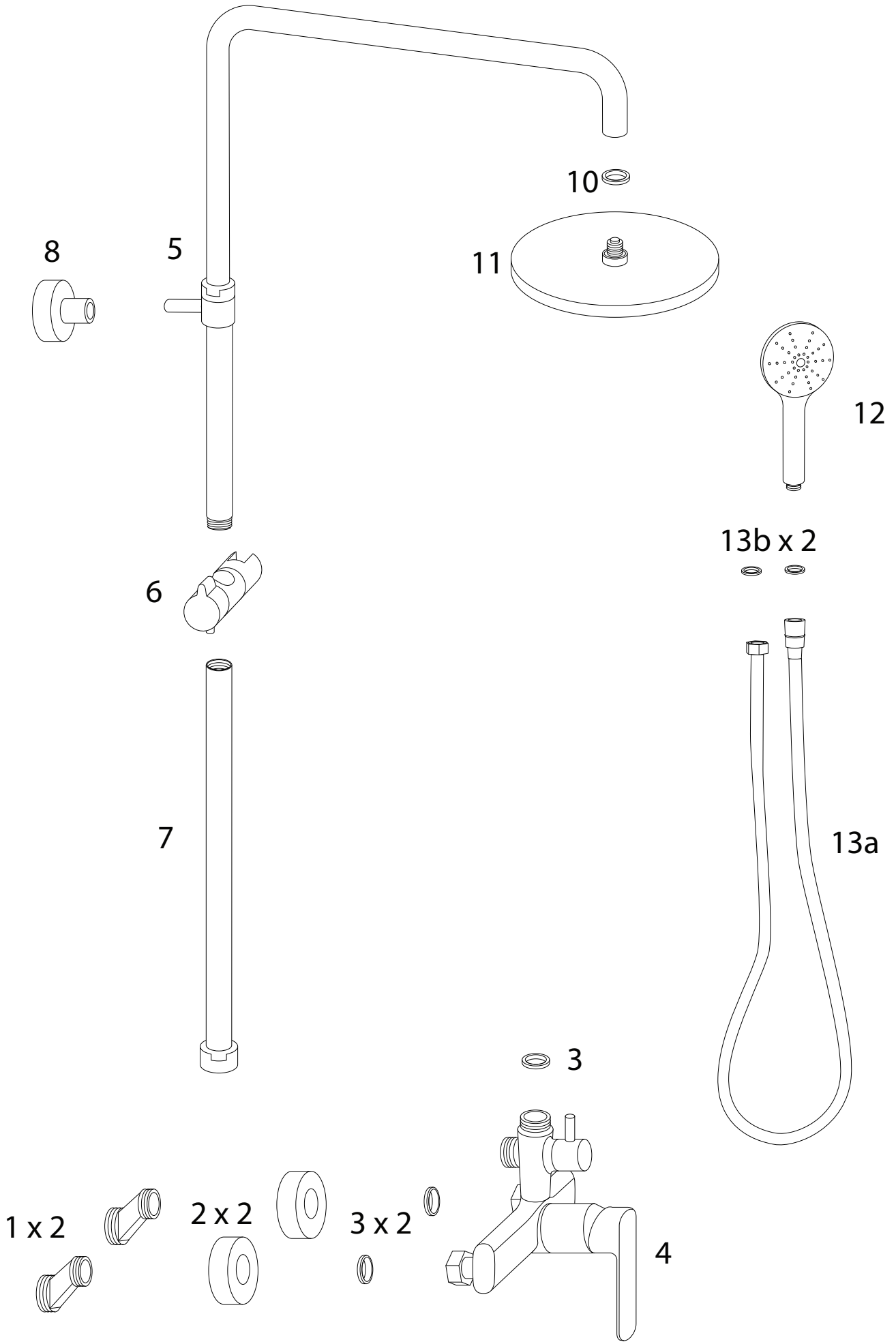


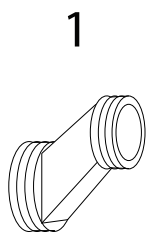


20'

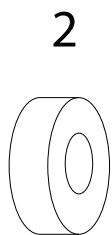


1

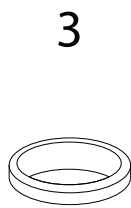




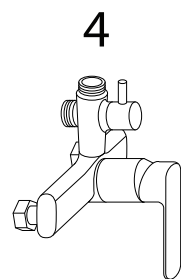
x 2



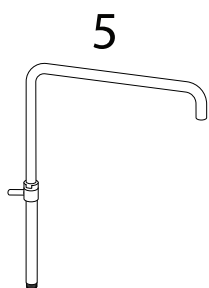
x 2



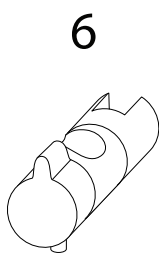
x 3



x 1



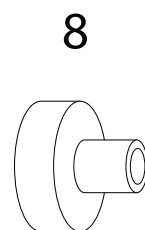
x 1



x 1

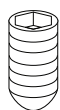


x 1



x 1

9



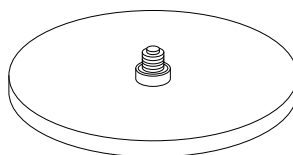
x 1

10



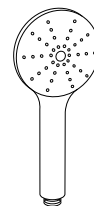
x 1

11



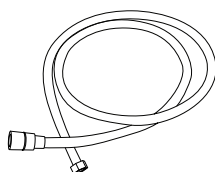
x 1

12



x 1

13a



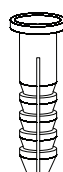
x 1

13b



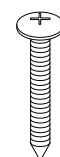
x 2

14



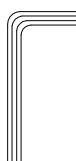
x 1

15



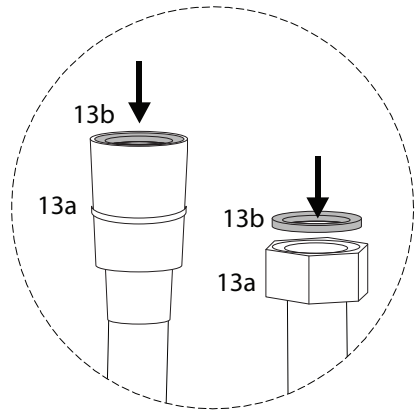
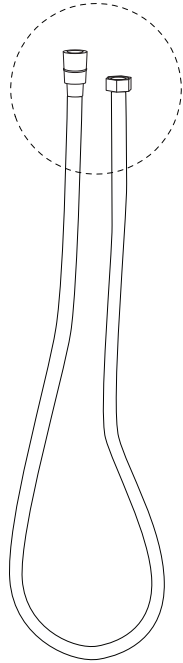
x 1

16

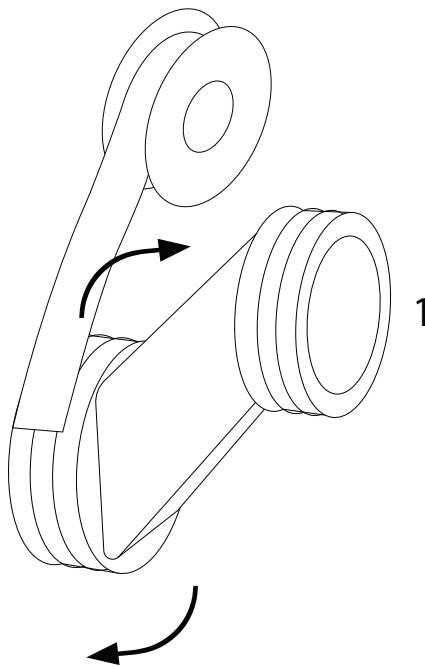


x 1

!

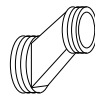


1

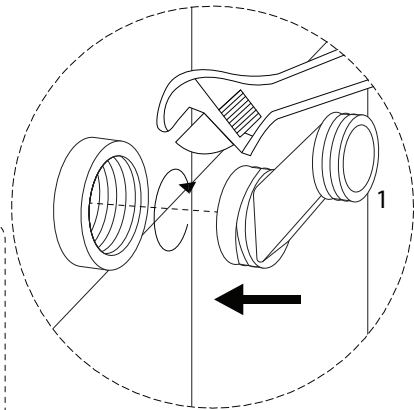
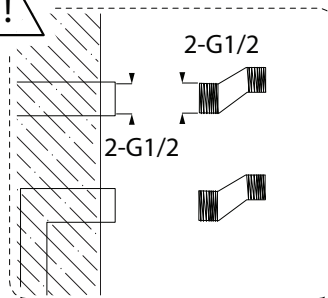
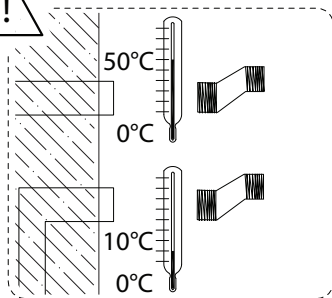
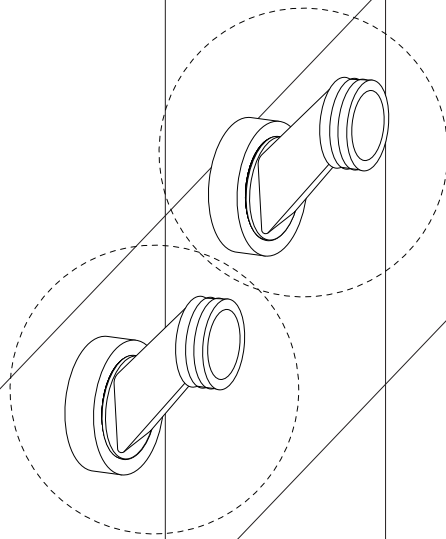


2

1



x 2



3

2



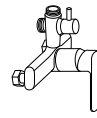
x2

3

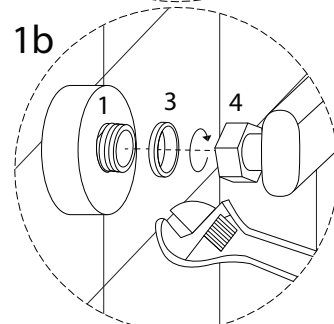
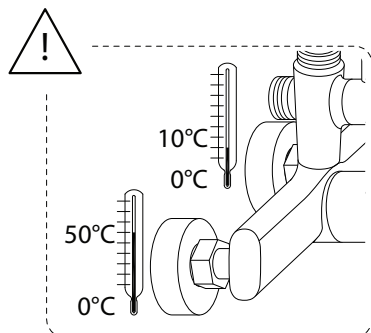
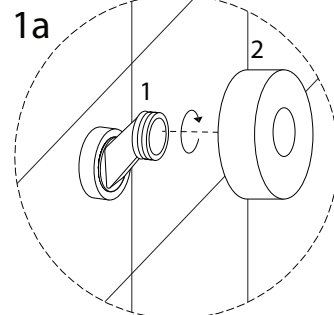
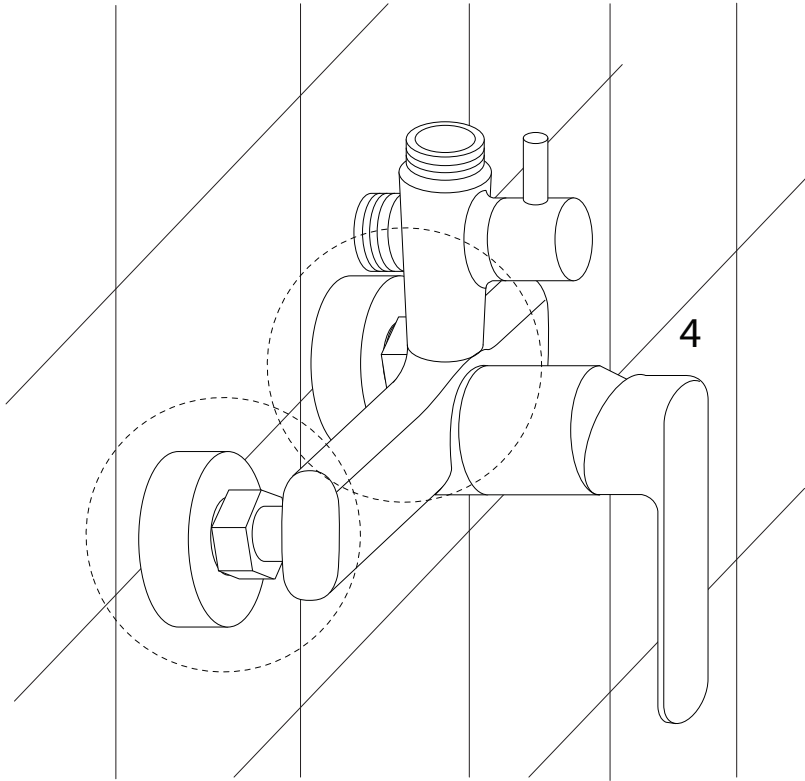


x2

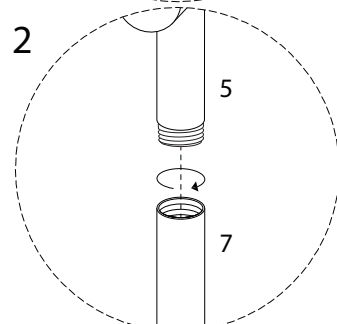
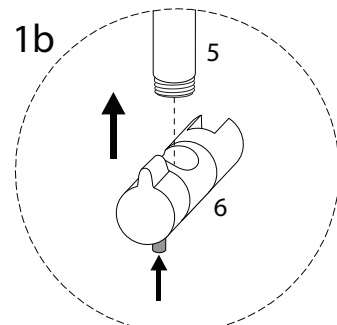
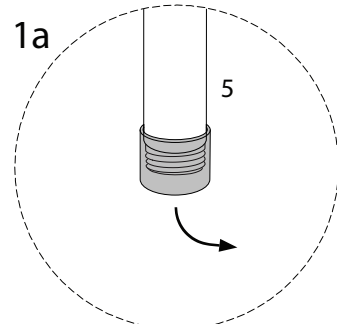
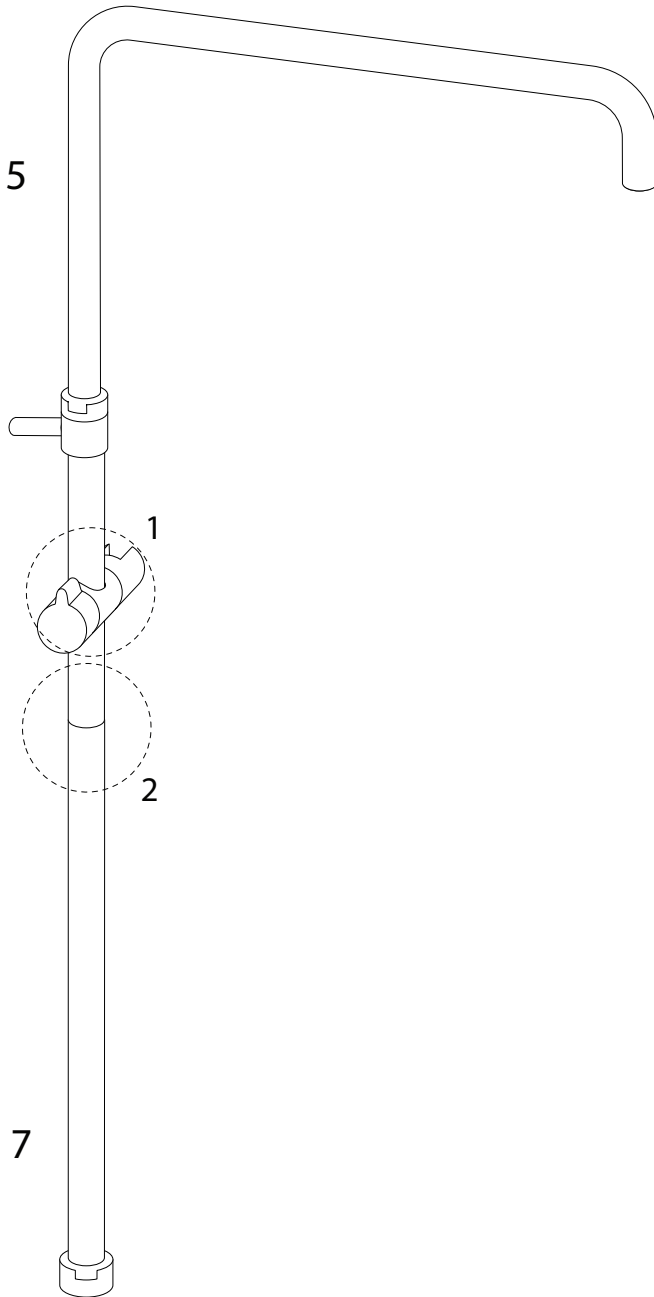
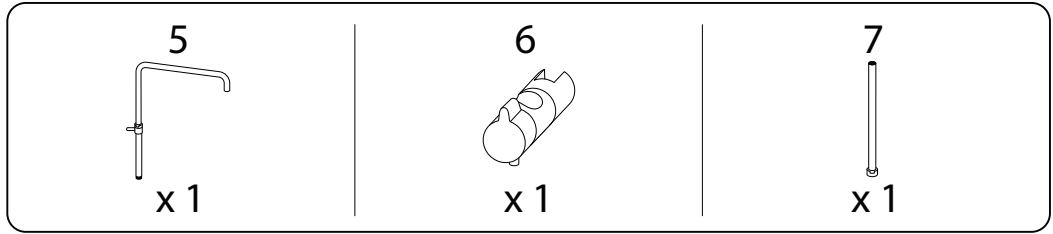
4



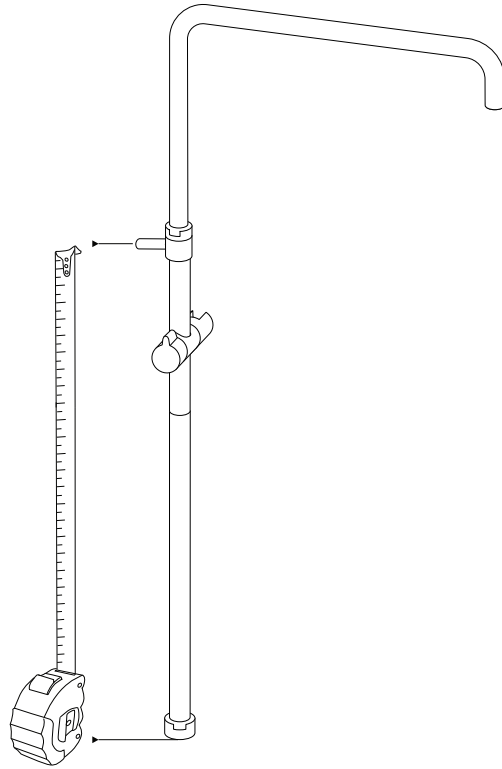
x1



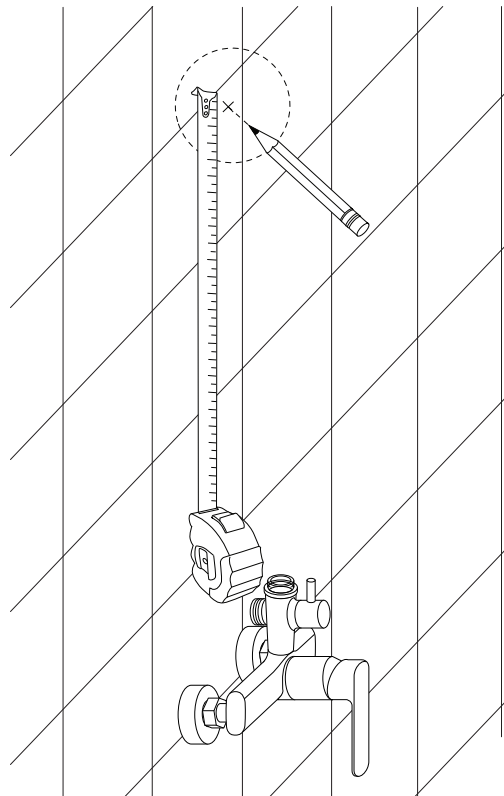
4



5



6



7

8



x 1

14

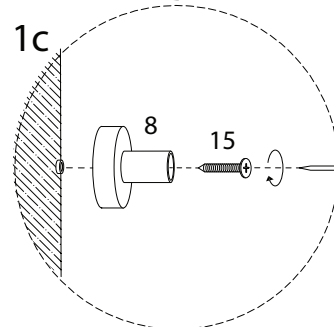
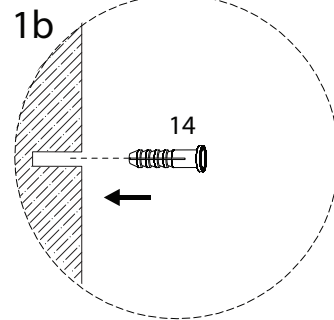
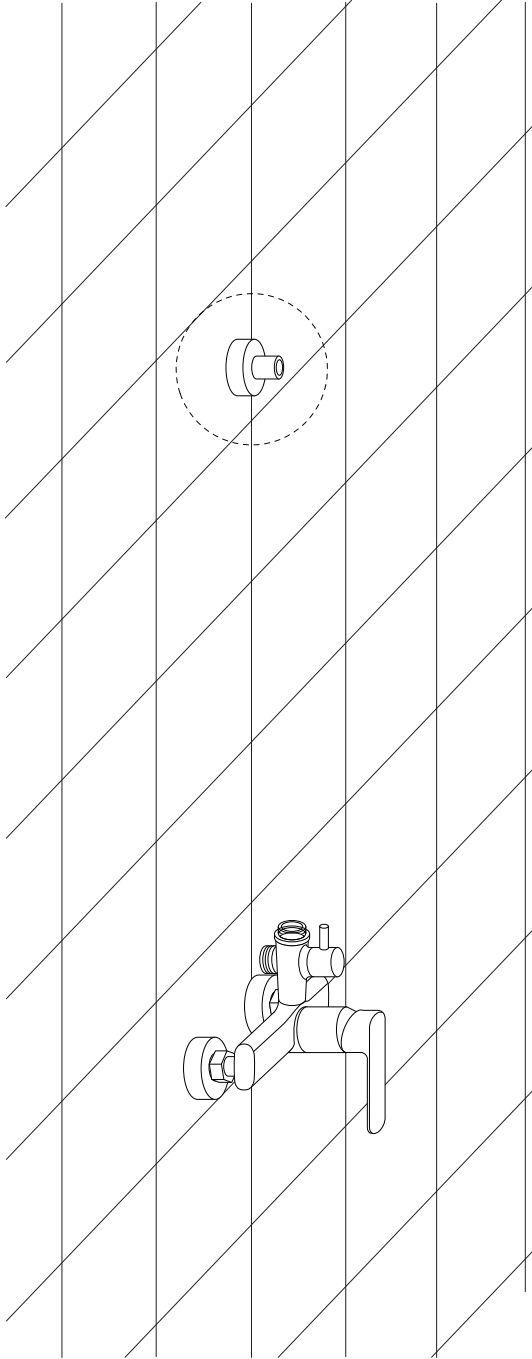


x 1

15



x 1



8

3



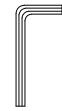
x 1

9

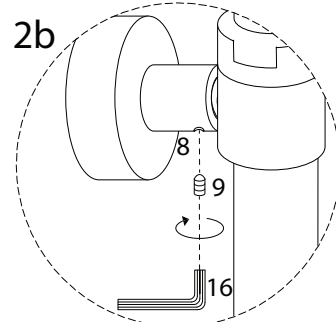
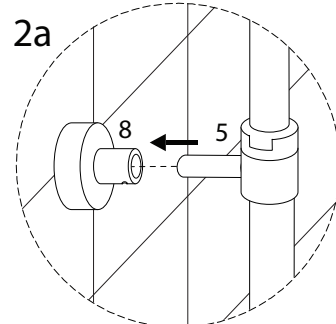
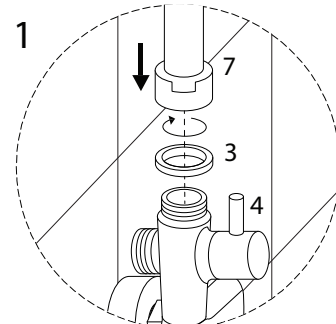
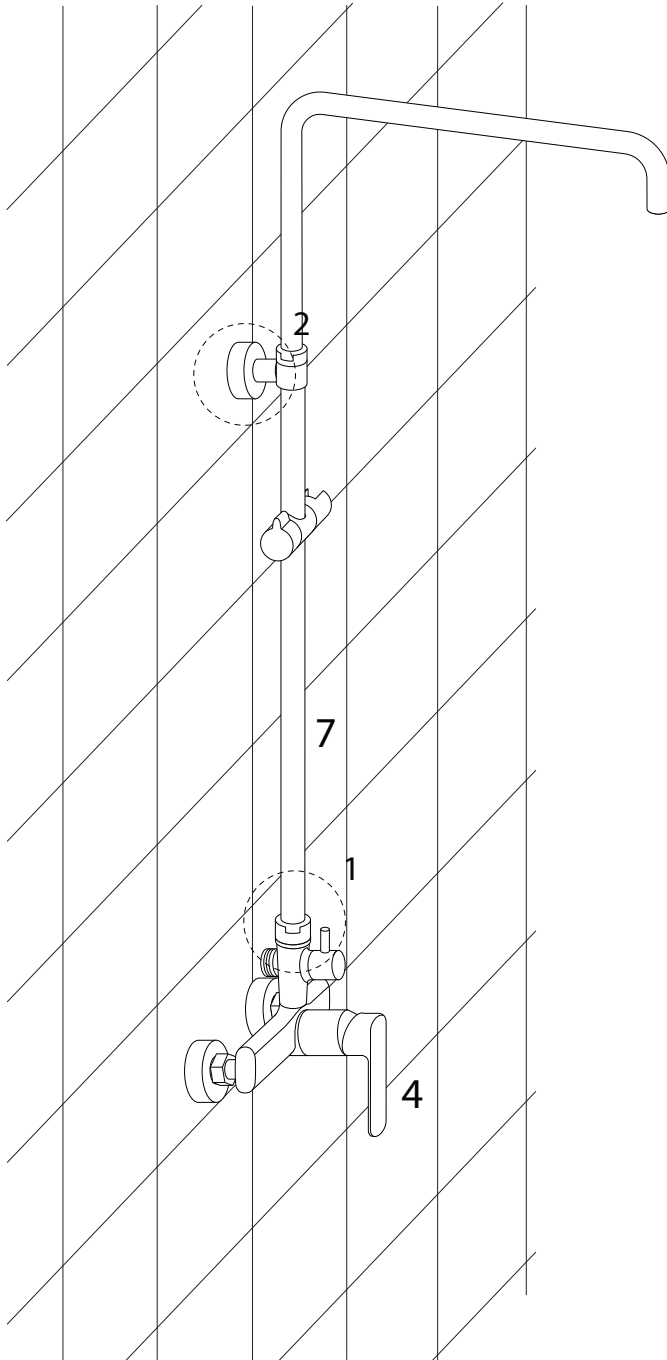


x 1

16



x 1



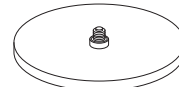
9

10

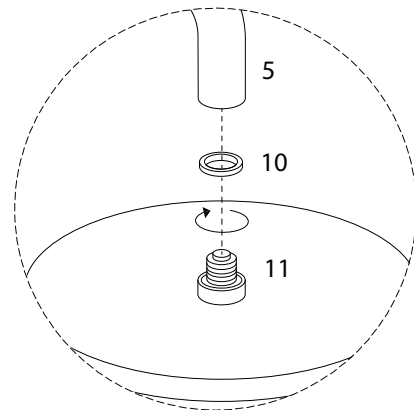
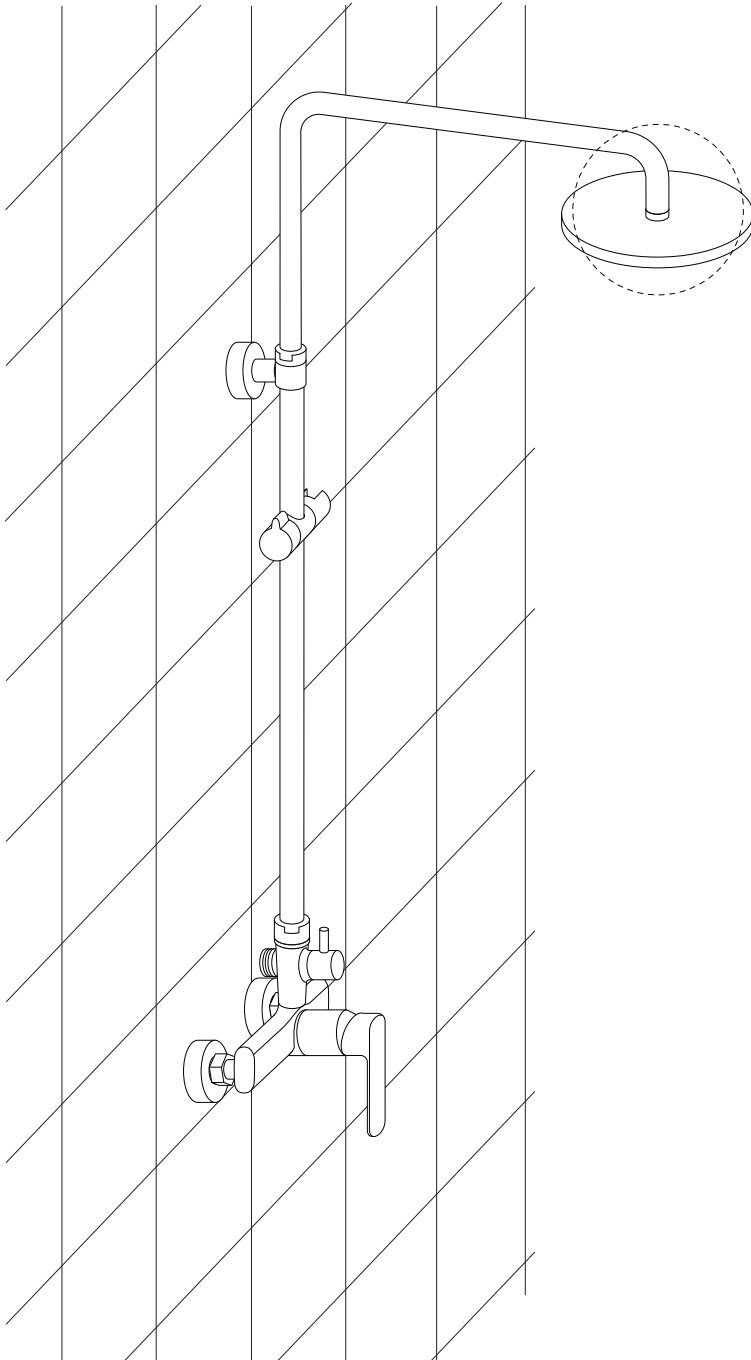


x 1

11



x 1



10

12

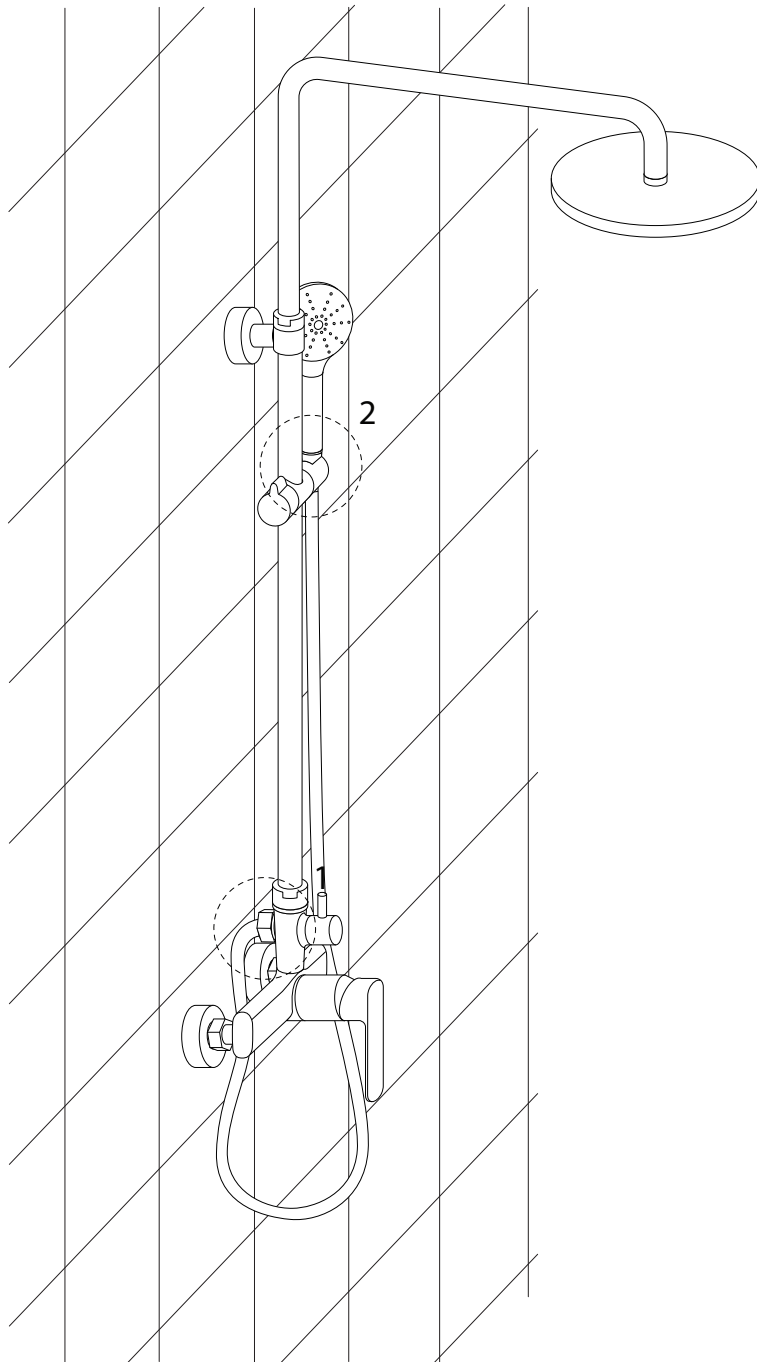


x 1

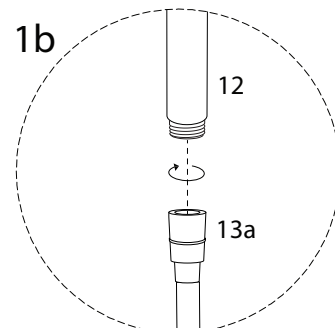
13a



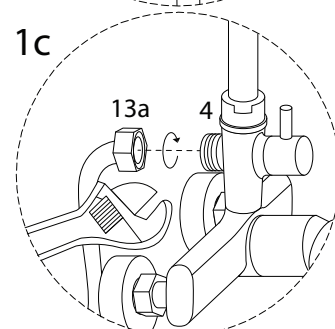
x 1



1b



1c



1d

