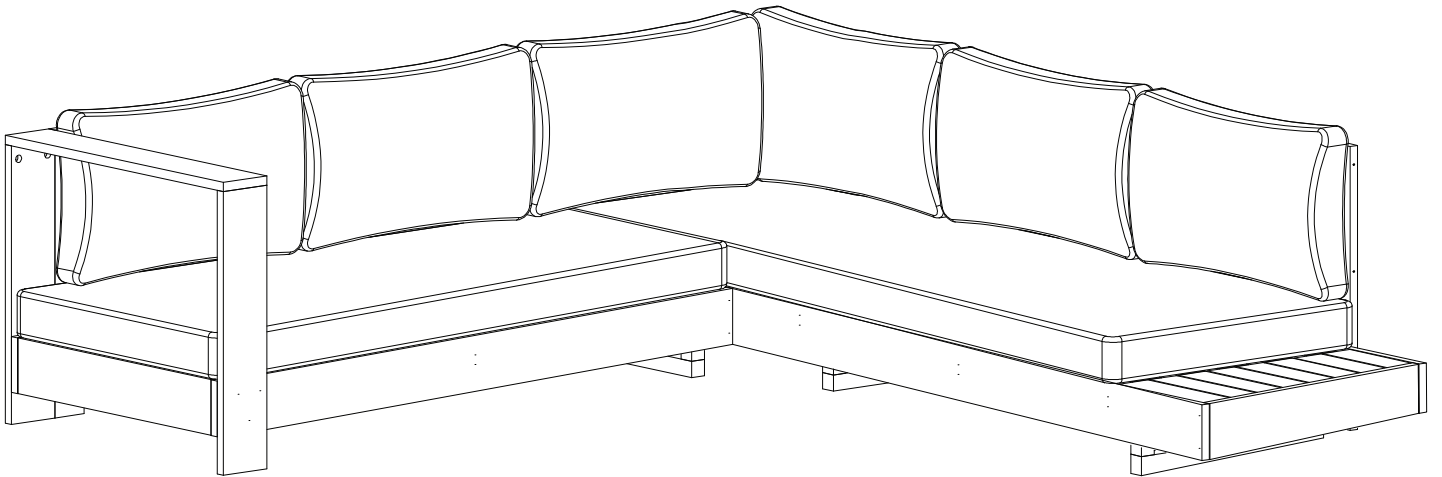
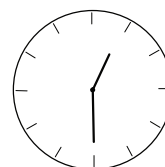
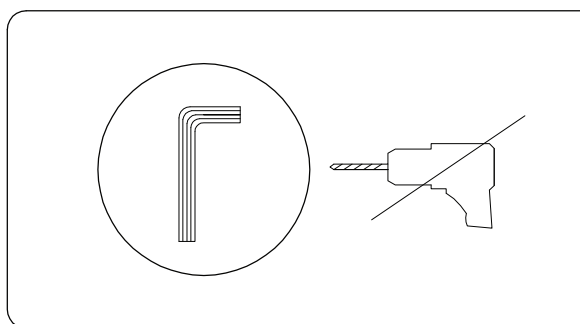
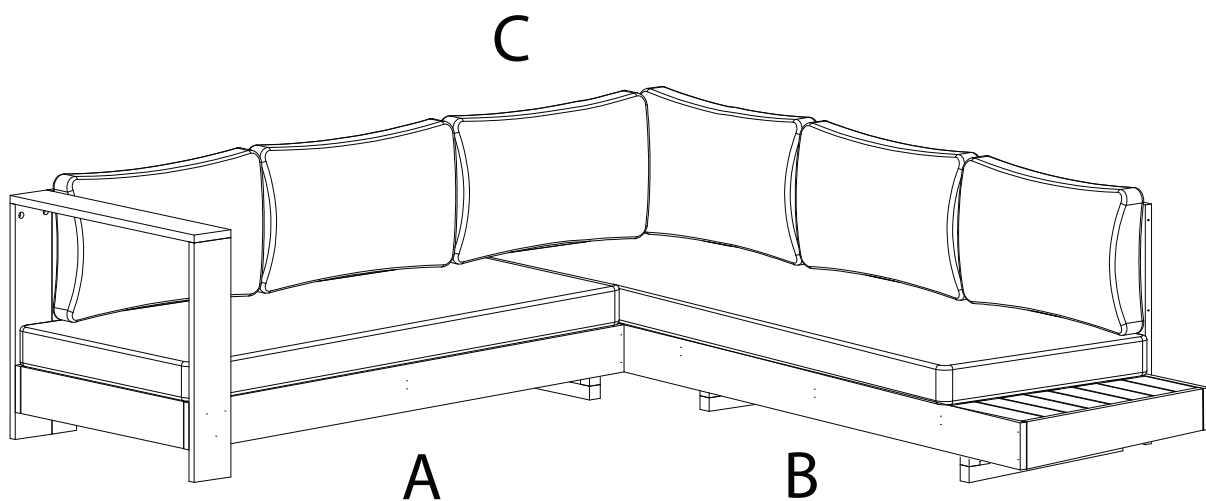
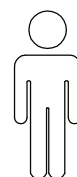
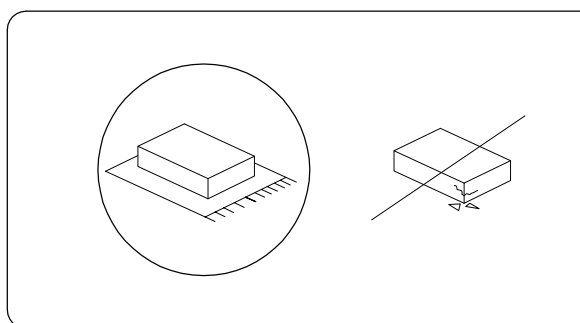


MARETTIMO



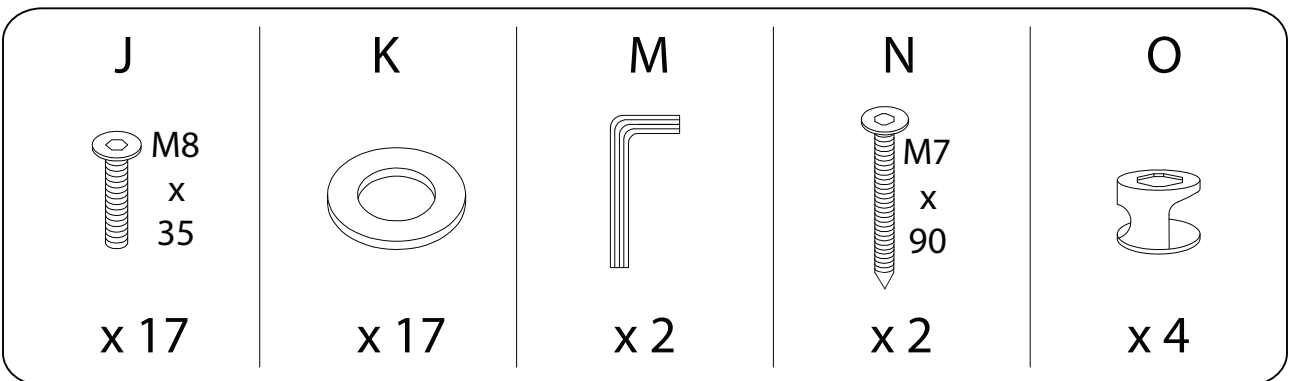
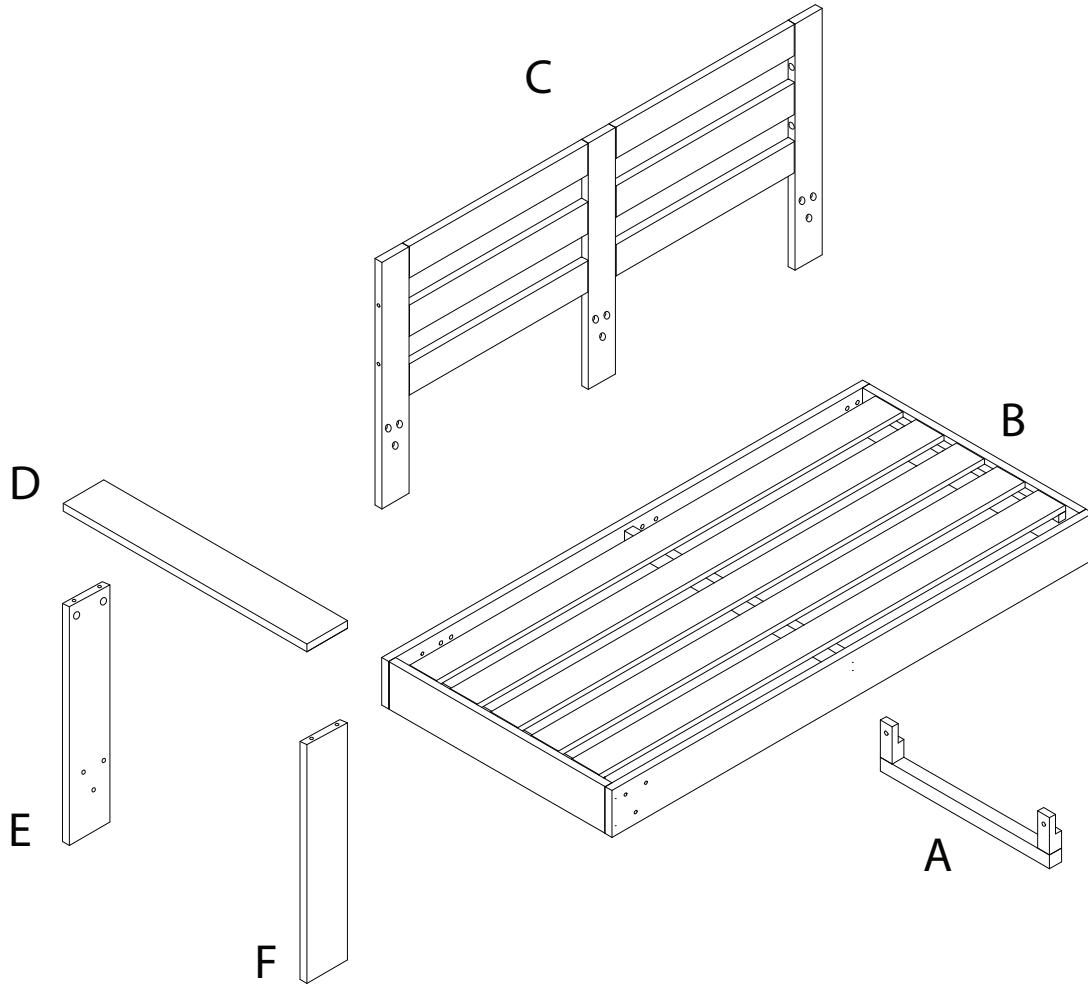
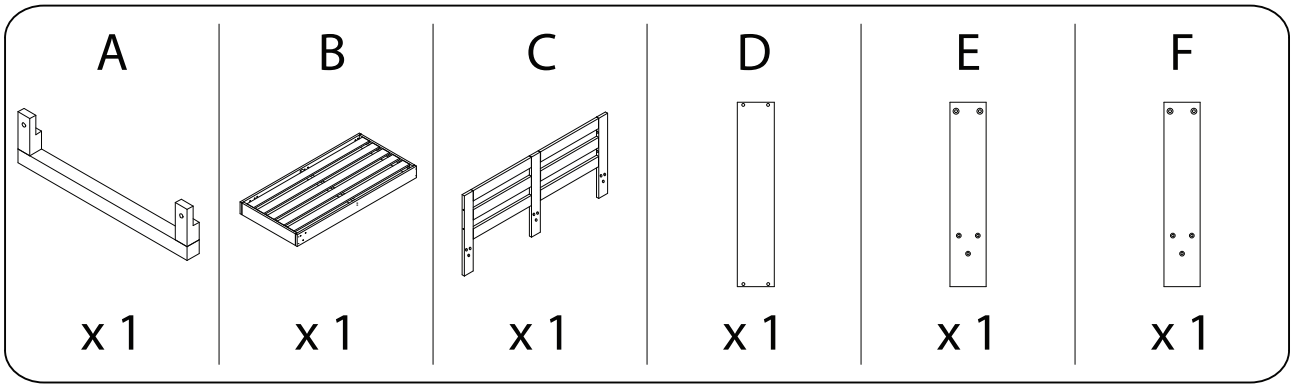


90'

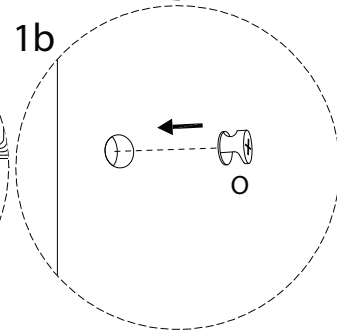
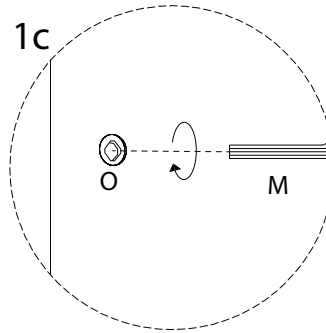
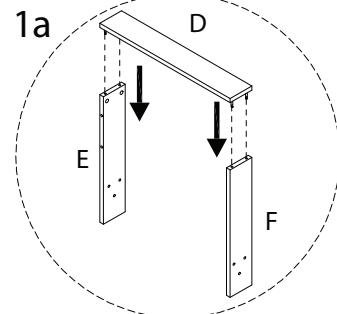
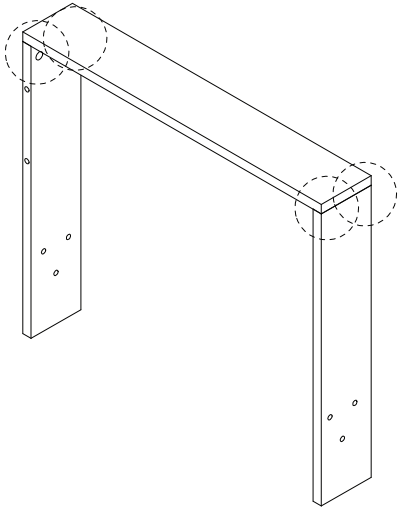
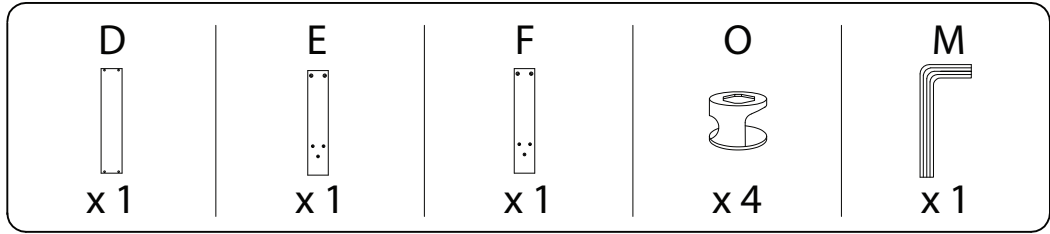


2

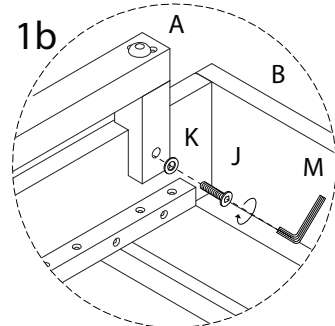
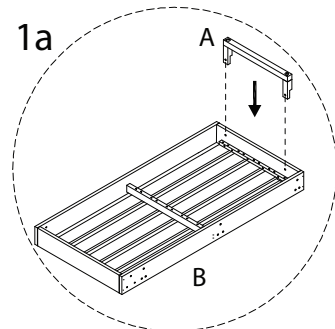
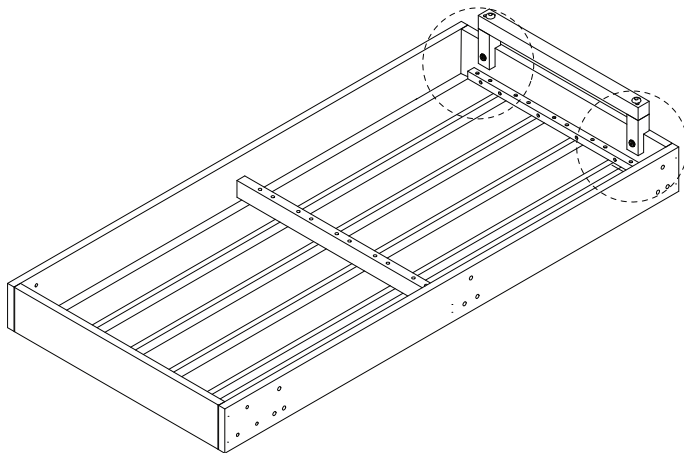
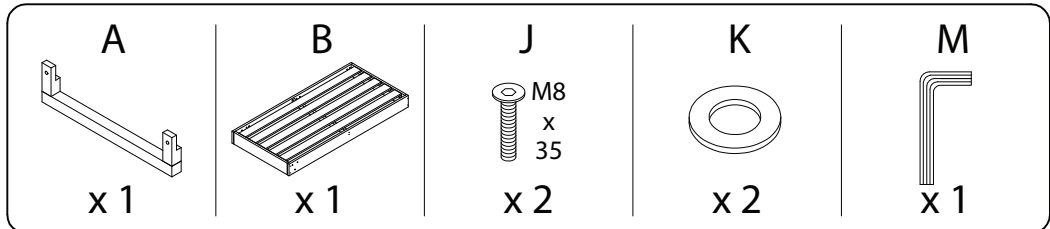
A



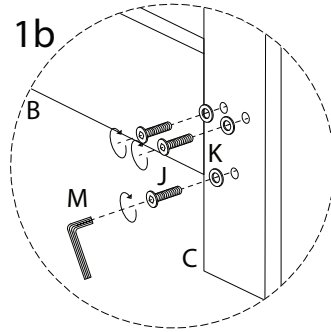
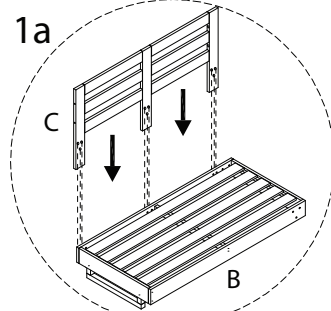
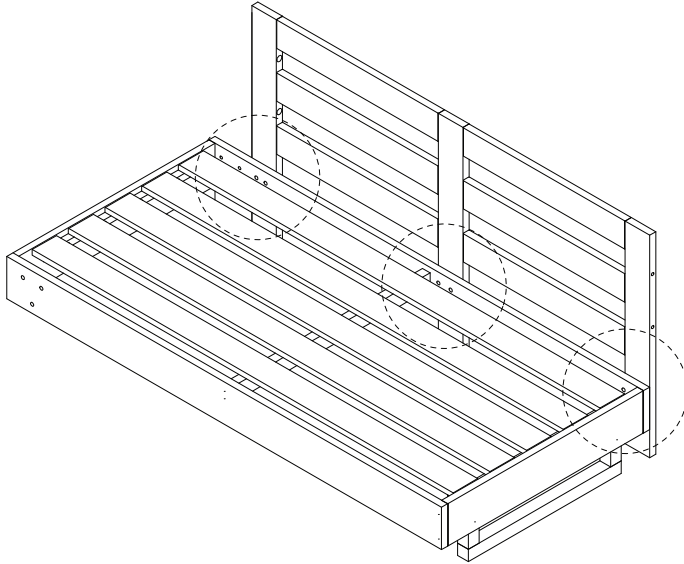
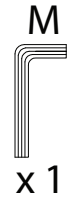
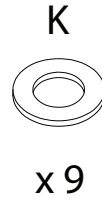
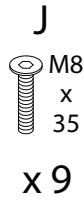
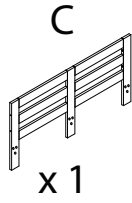
1



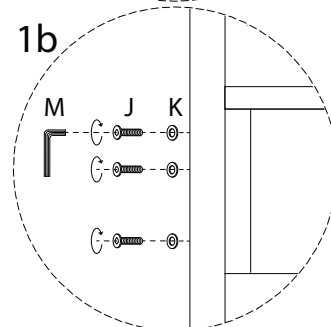
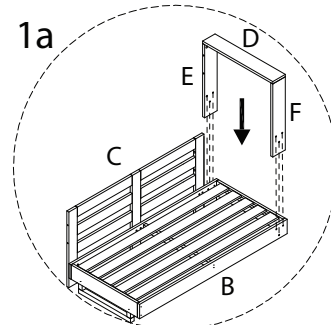
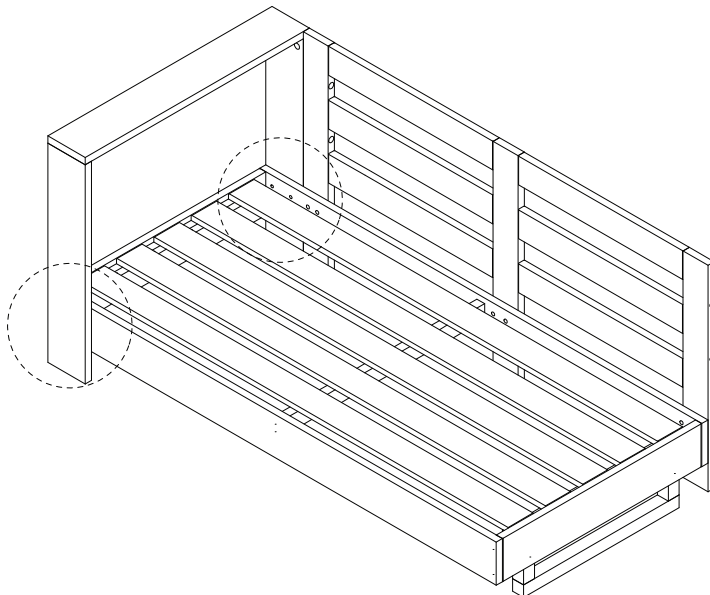
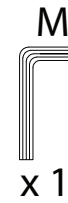
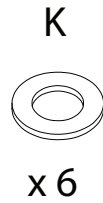
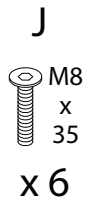
2



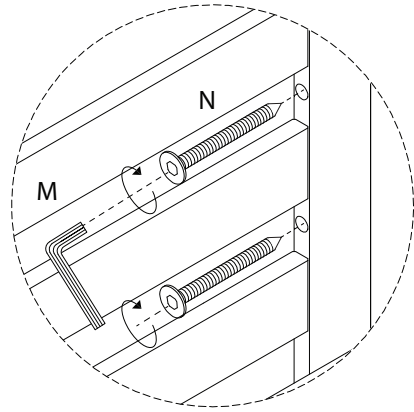
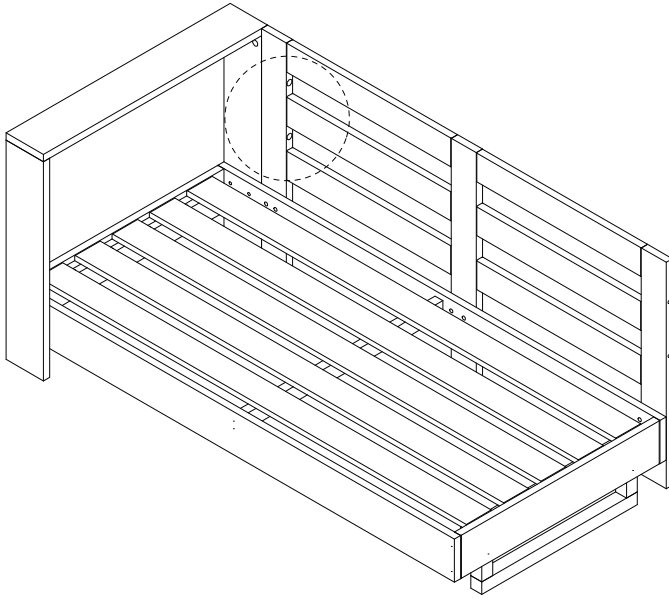
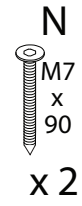
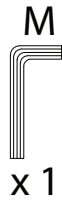
3



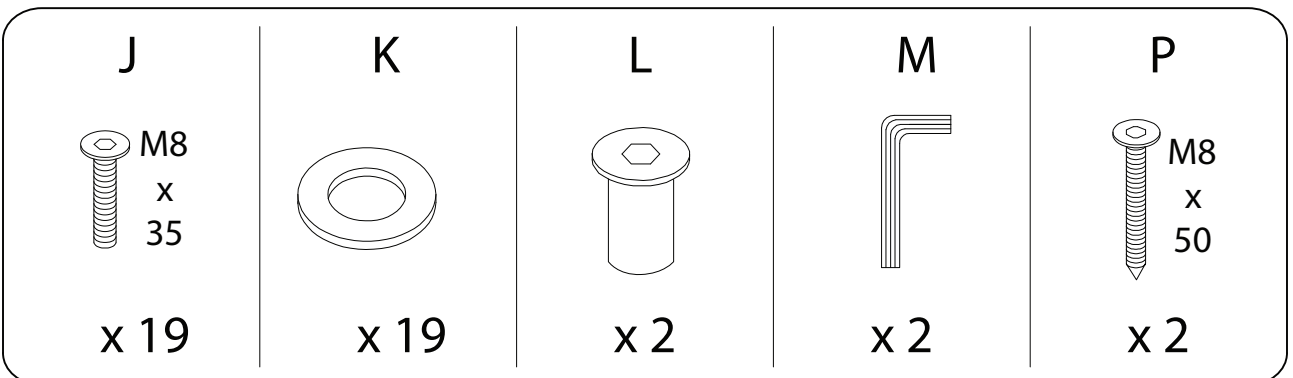
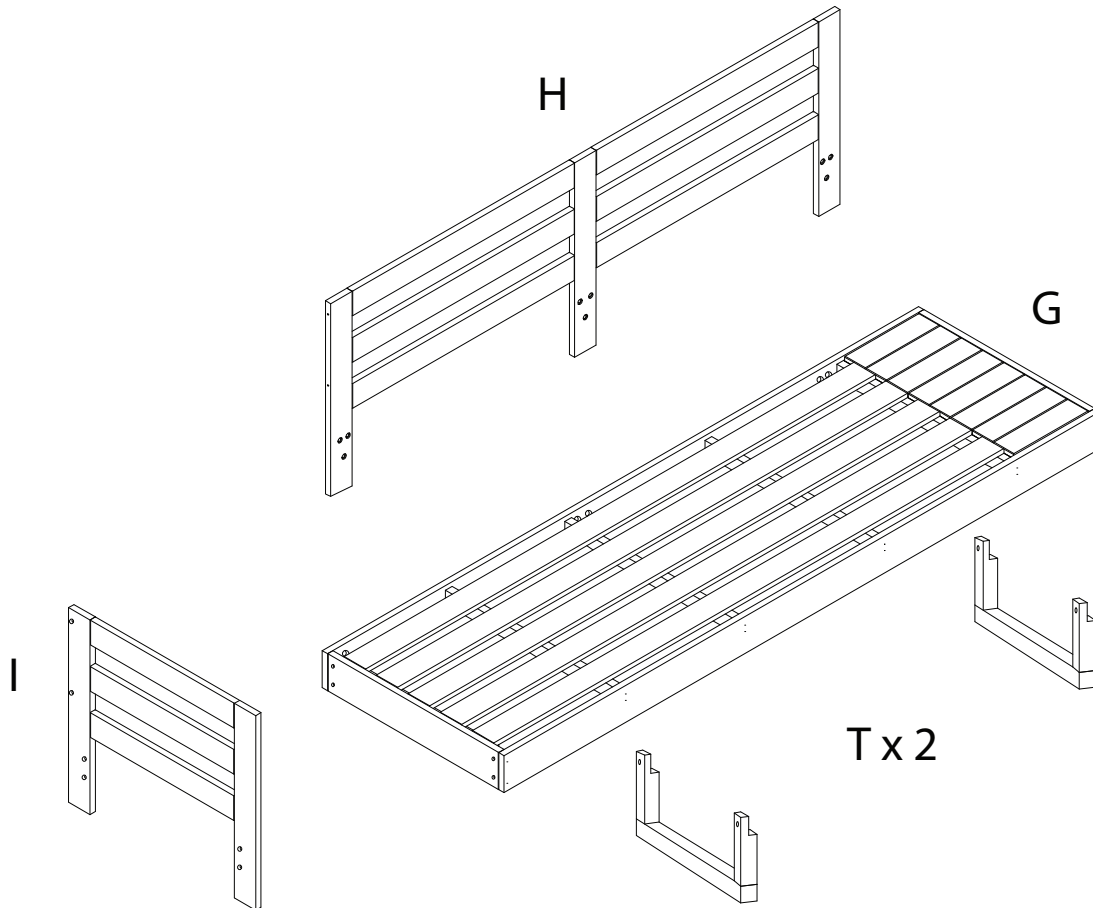
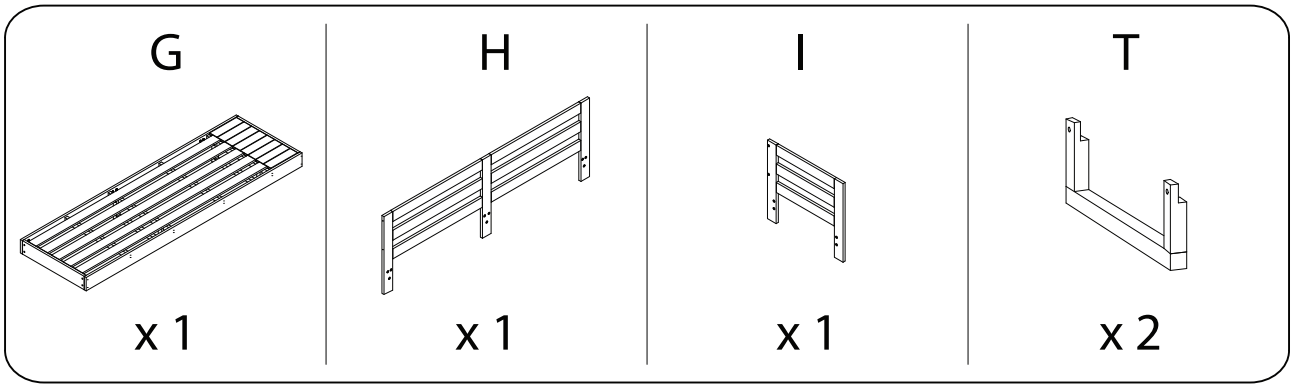
4



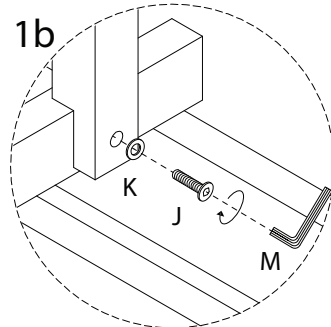
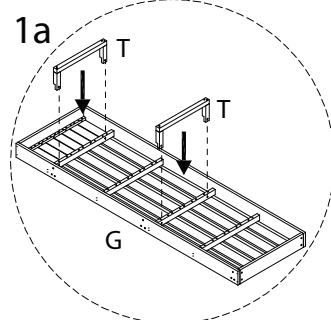
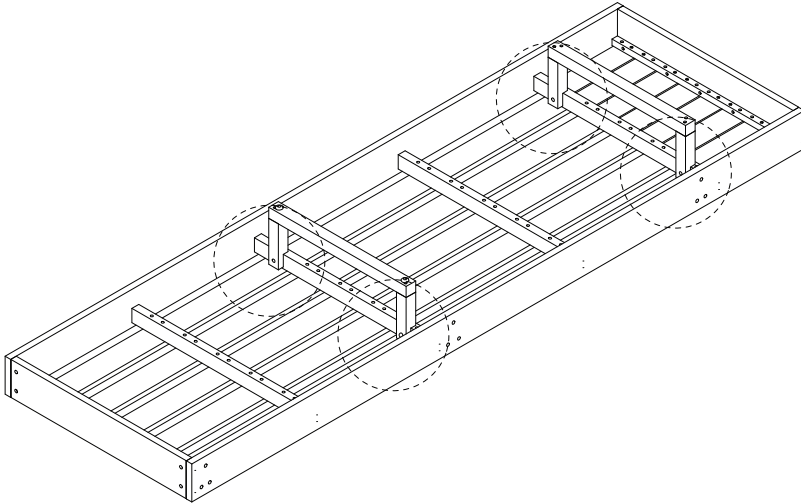
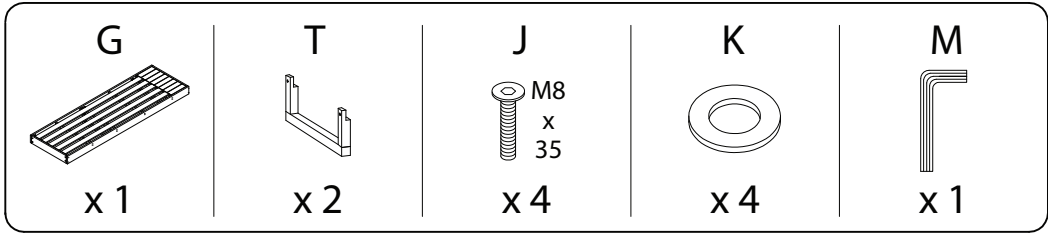
5



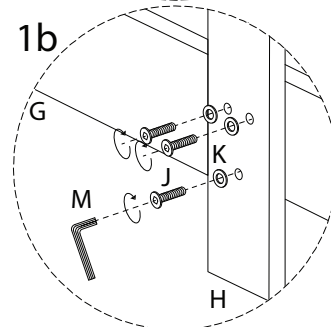
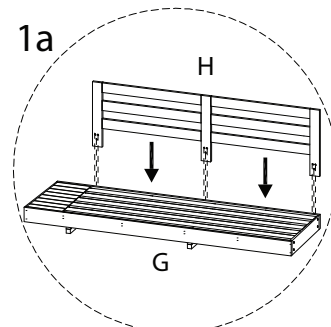
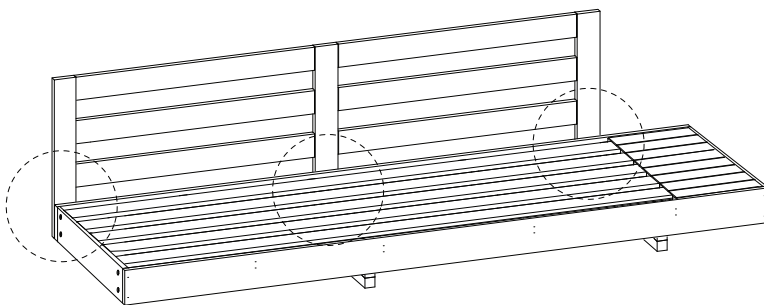
B



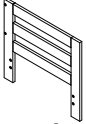
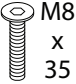
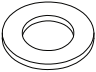
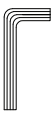
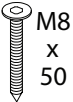
1

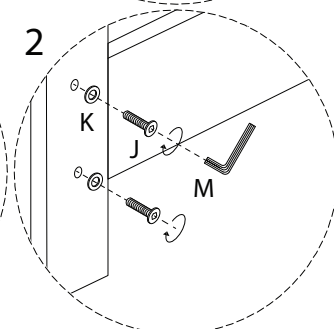
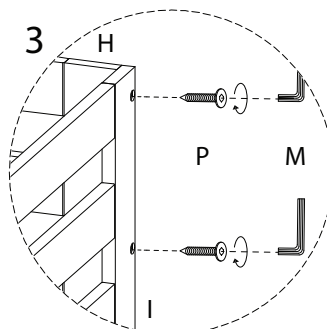
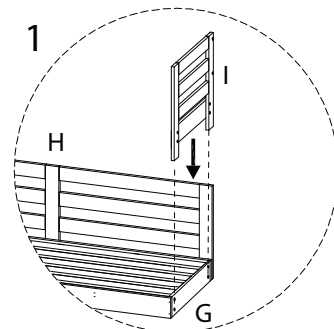
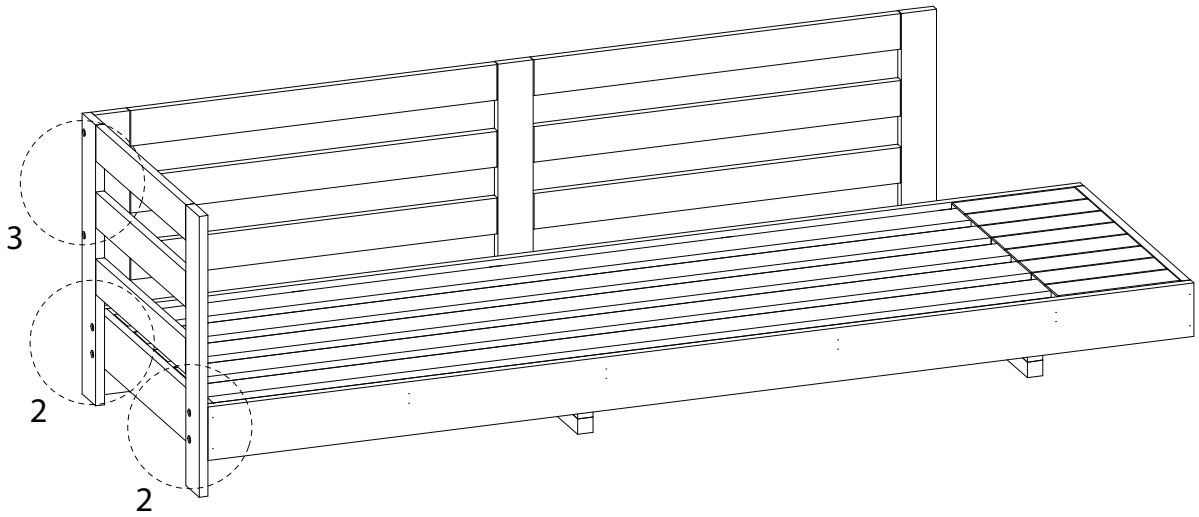


2



3

 I x 1	 J M8 x 35 x 4	 K x 4	 M x 2	 P M8 x 50 x 2
---	--	---	---	--



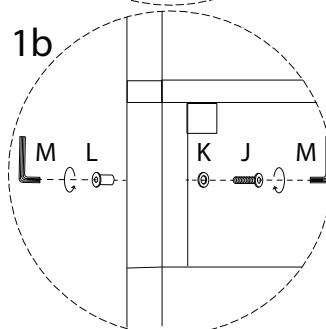
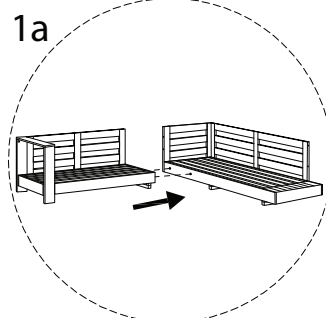
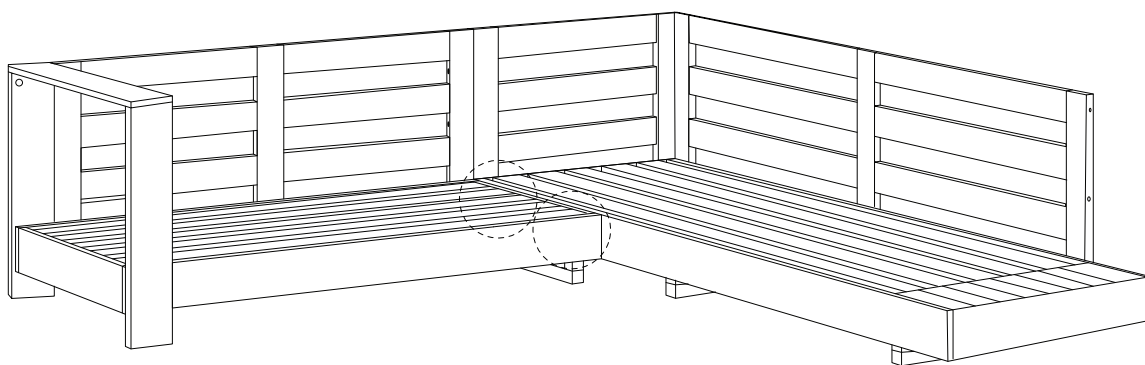
4

J
M8
x
35
x 2

K
x 2

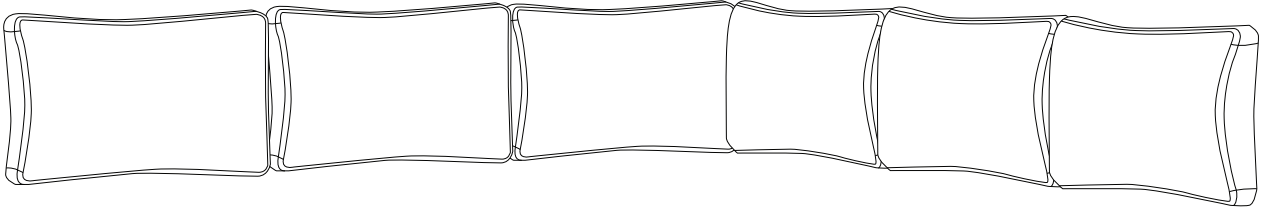
L
x 2

M
x 2

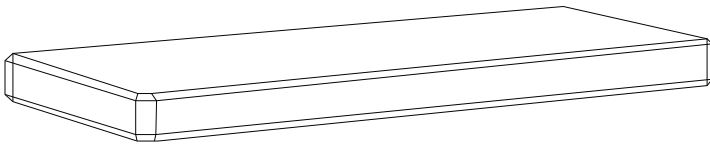


C

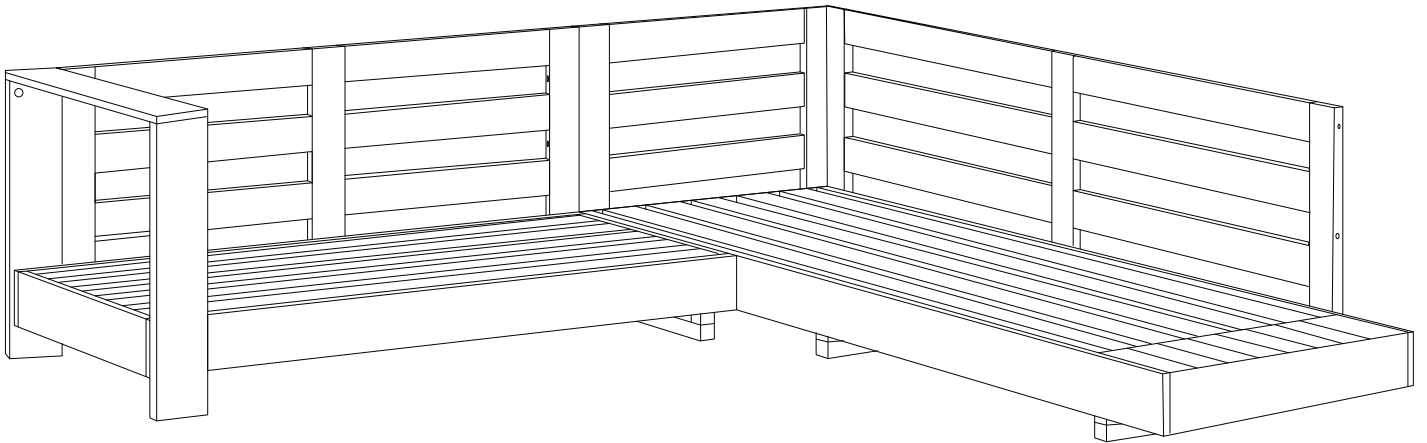
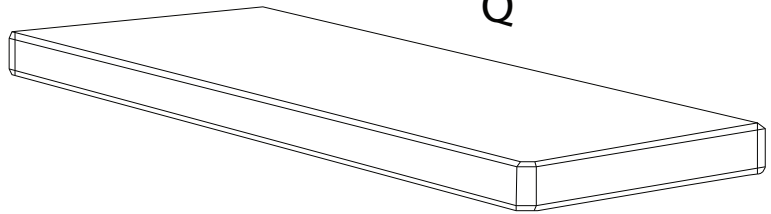
S x 6



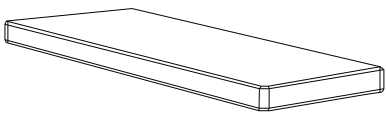
R



Q



Q



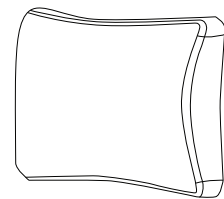
x 1

R



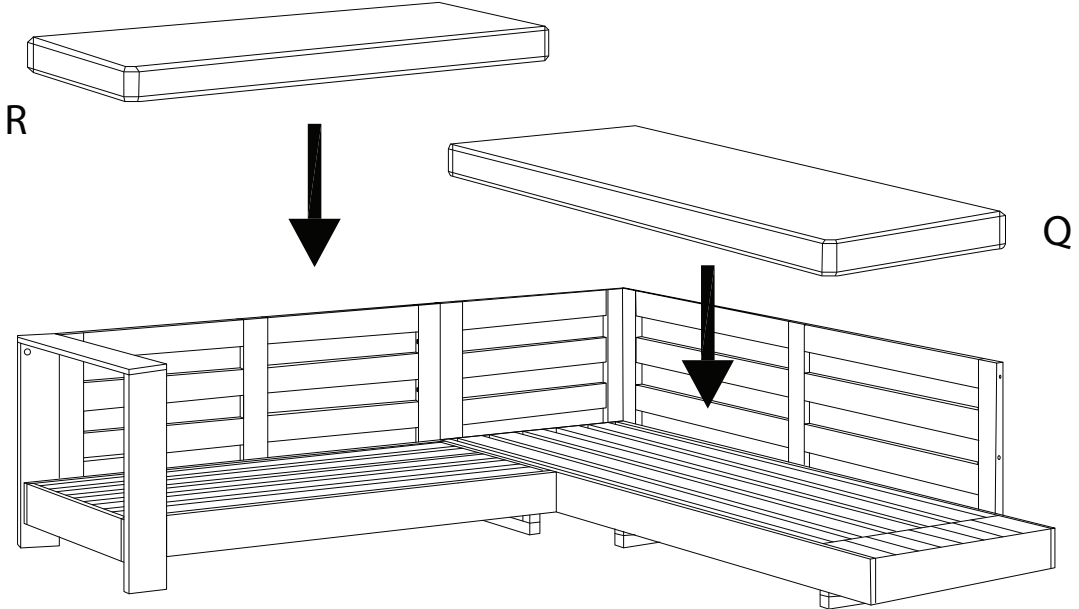
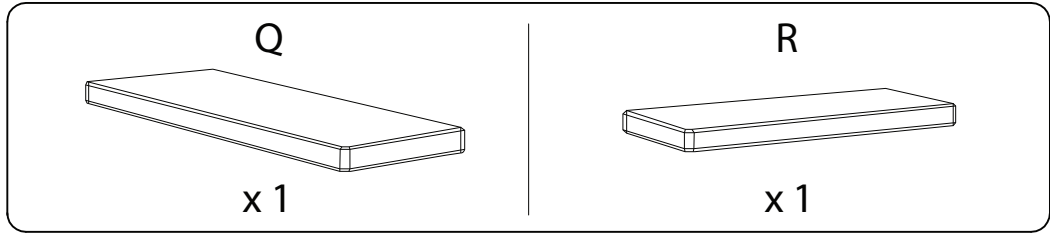
x 1

S



x 6

1



2

