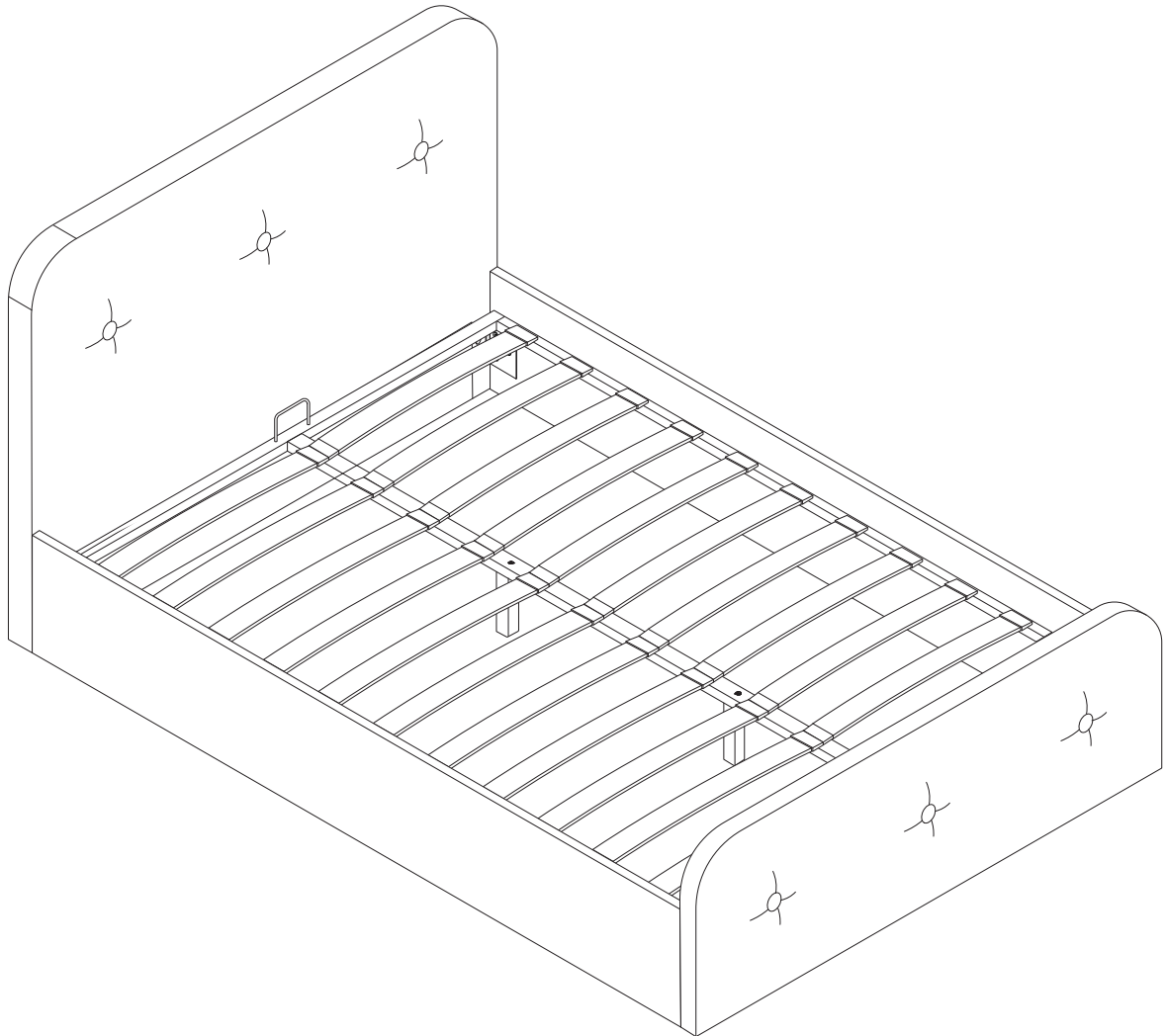
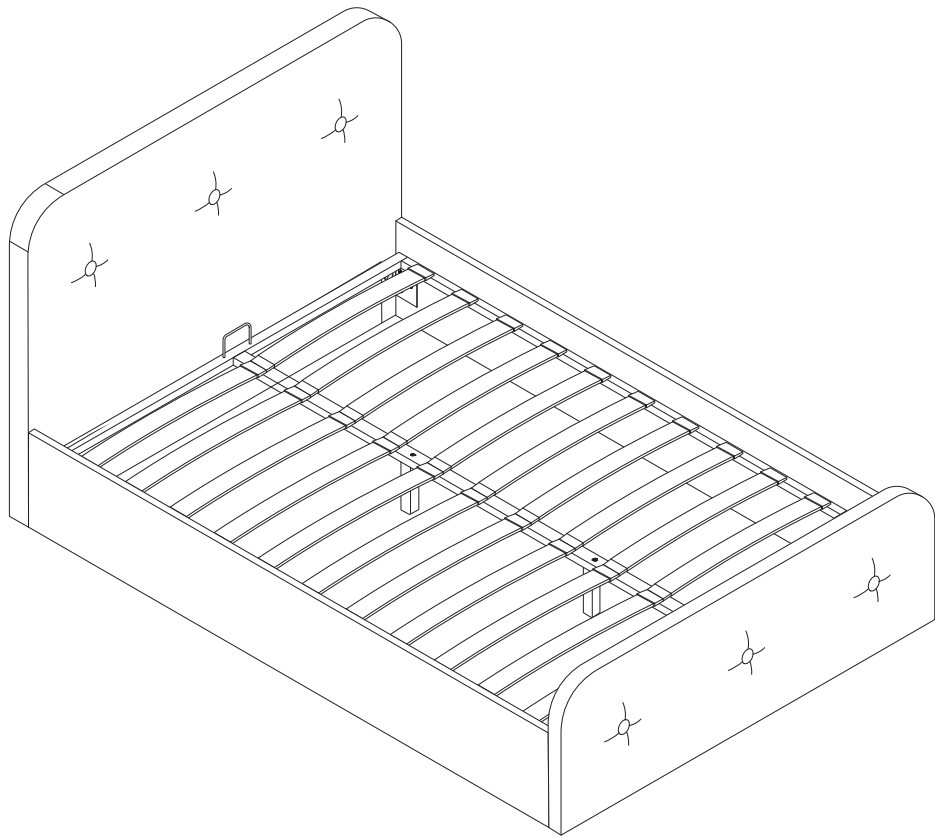


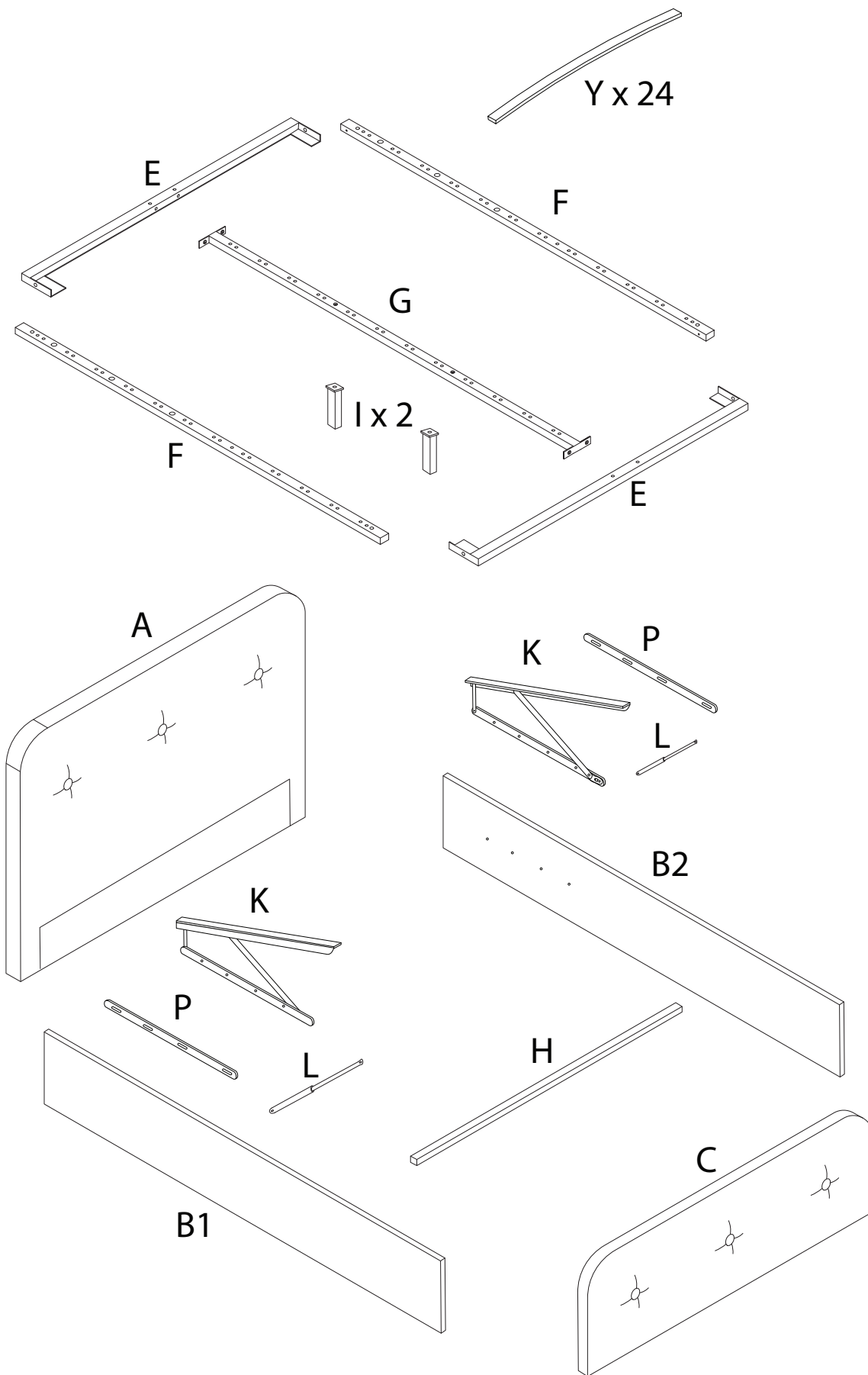
RENNES STORAGE



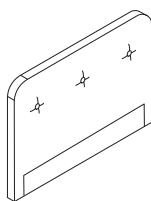


Assembly instructions for step 1/12:

- Tools: An Allen key and a wrench are shown in a circle. A power drill is shown with a diagonal line through it, indicating it should not be used.
- Warning: A triangle with an exclamation mark indicates a warning.
- Time: A clock icon is shown with the text "45'" below it, indicating the estimated assembly time.
- Personnel: A person icon is shown with the number "2" below it, indicating that two people are required for assembly.

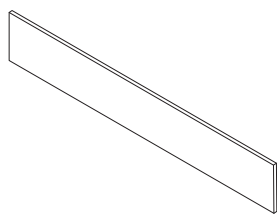


A



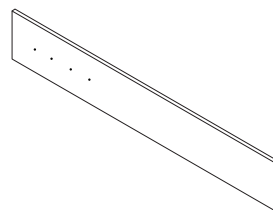
x 1

B1



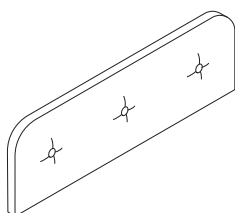
x 1

B2



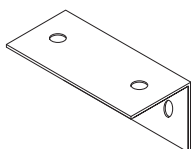
x 1

C



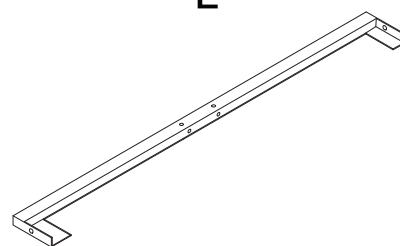
x 1

D



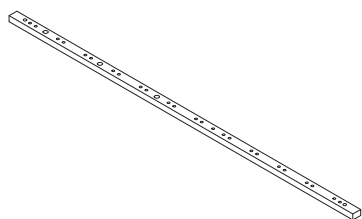
x 4

E



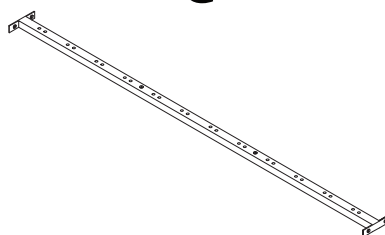
x 2

F



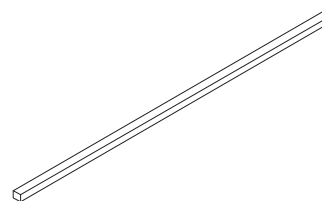
x 2

G



x 1

H



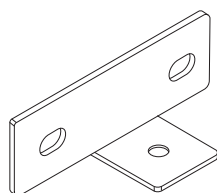
x 1

I



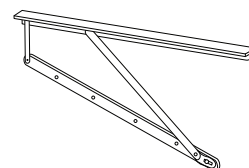
x 2

J



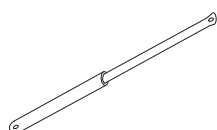
x 2

K



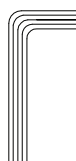
x 2

L



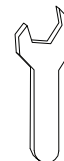
x 2

M



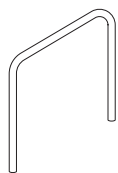
x 2

N



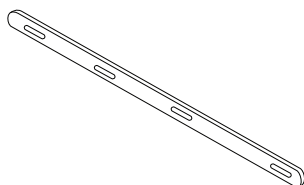
x 1

O



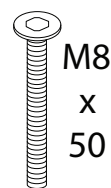
x 1

P



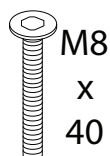
x 2

Q



x 2

R



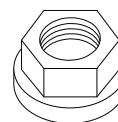
x 20

S



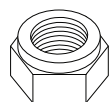
x 38

T



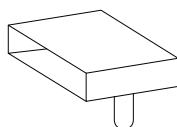
x 20

U



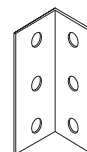
x 4

V



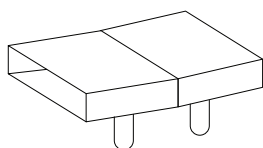
x 24

W



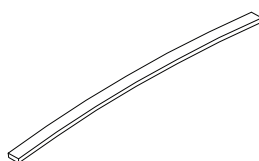
x 4

X



x 12

Y



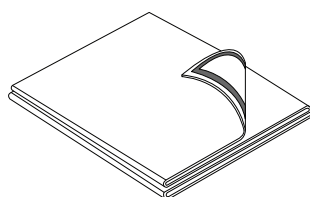
x 24

Z



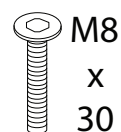
x 1

A1



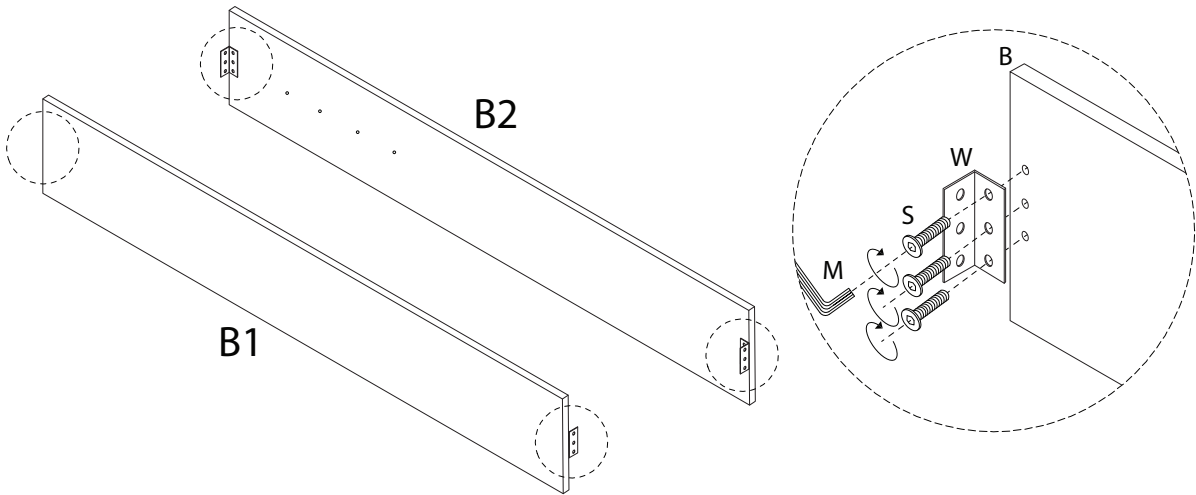
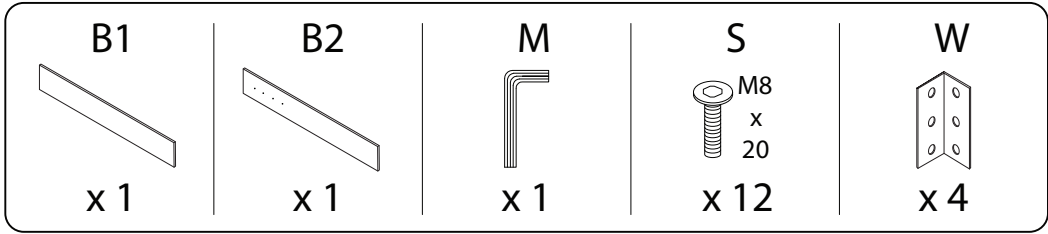
x 1

C1

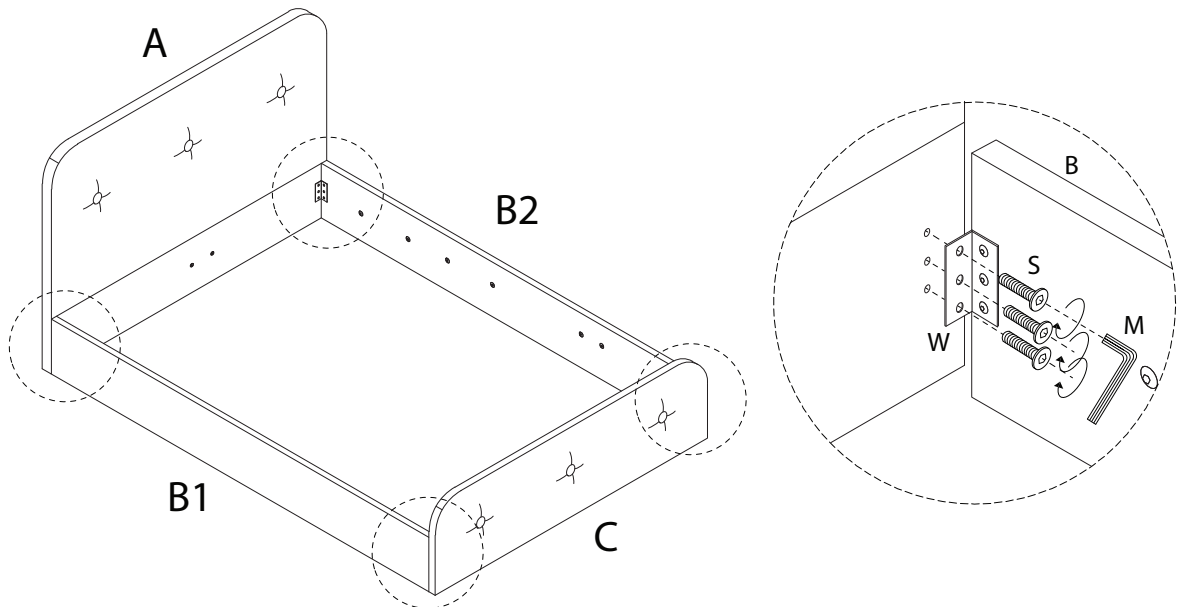
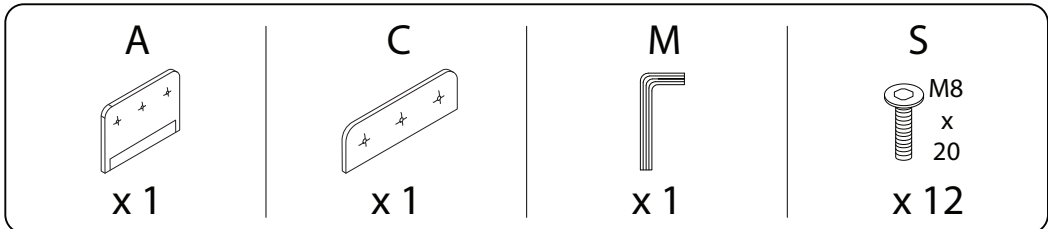


x 8

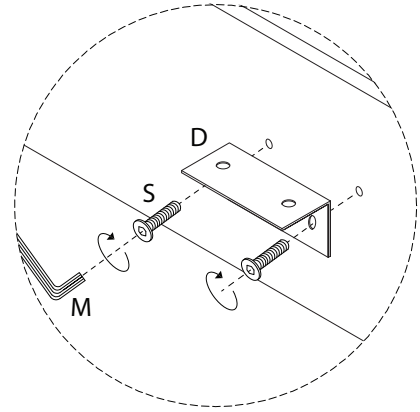
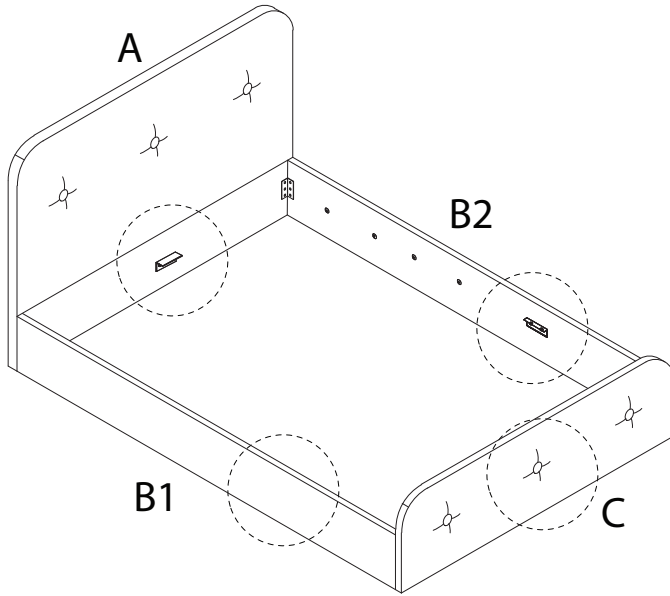
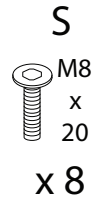
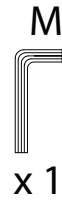
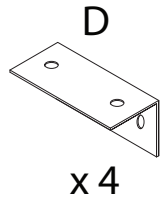
1



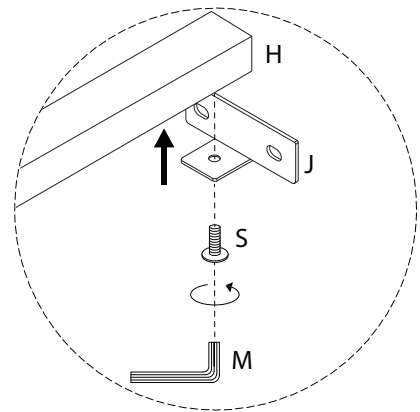
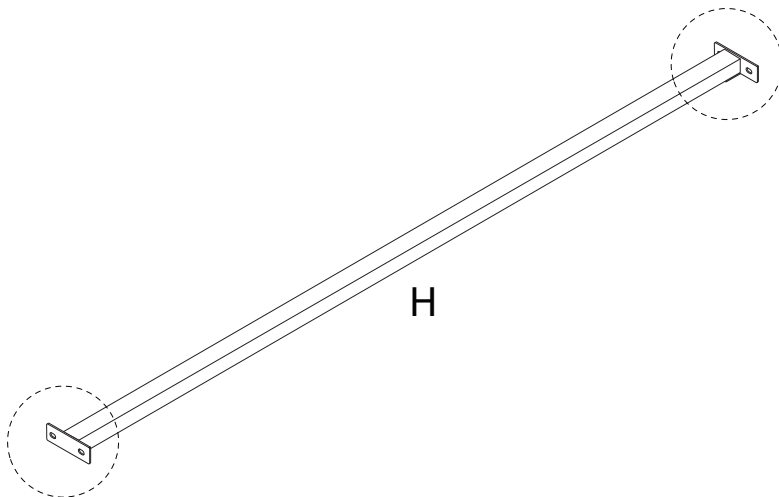
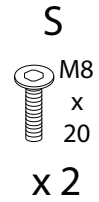
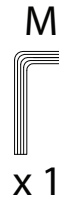
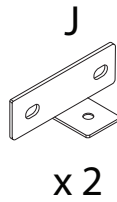
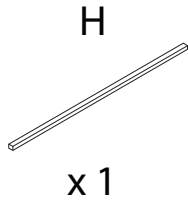
2



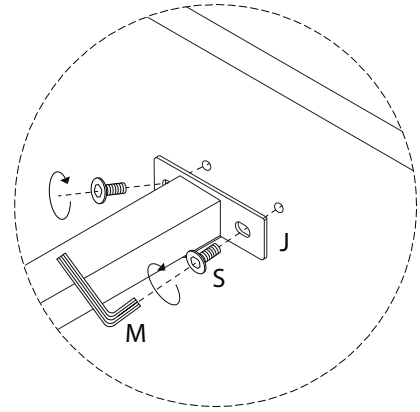
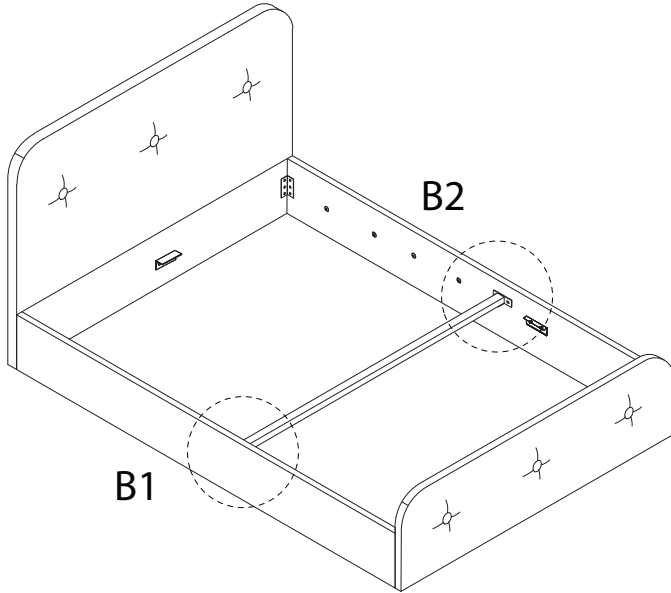
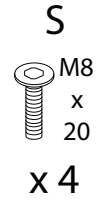
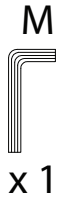
3



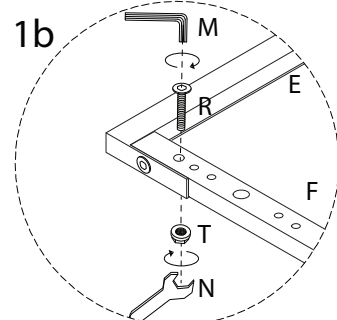
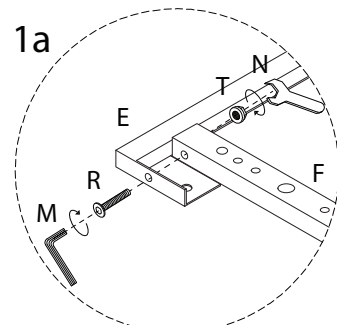
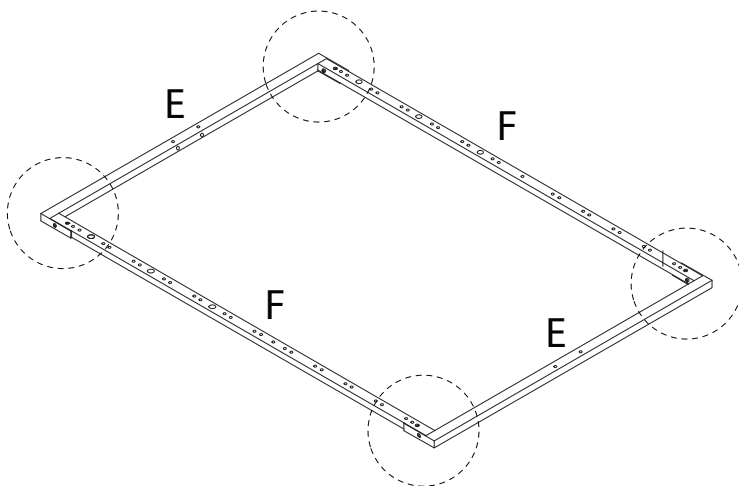
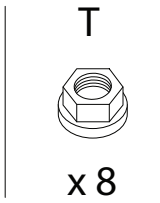
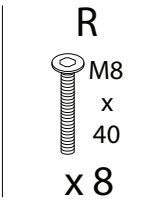
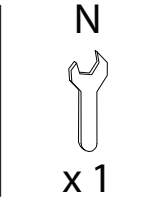
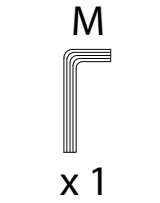
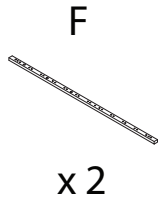
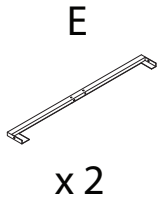
4



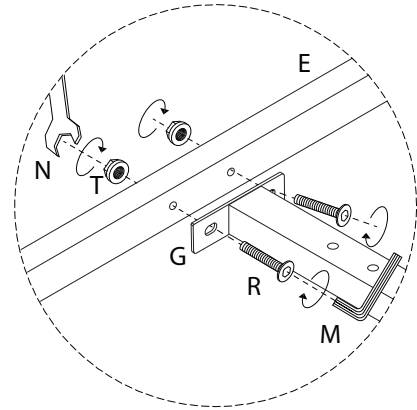
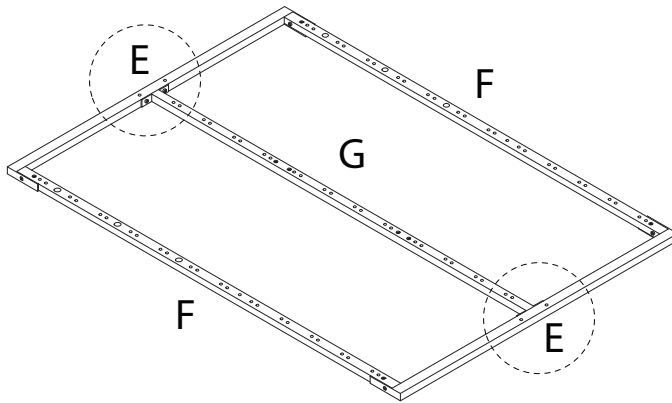
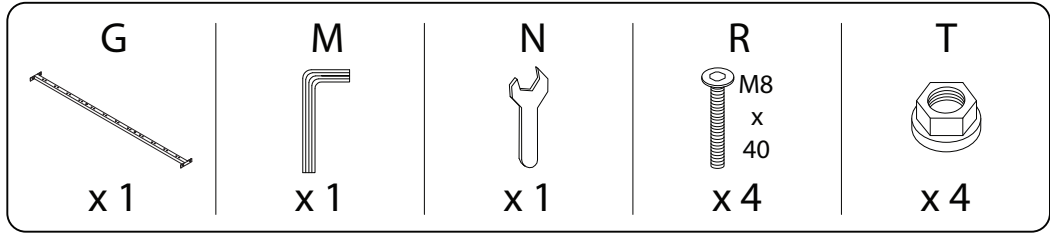
5



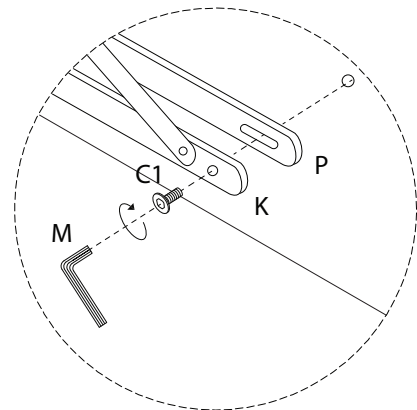
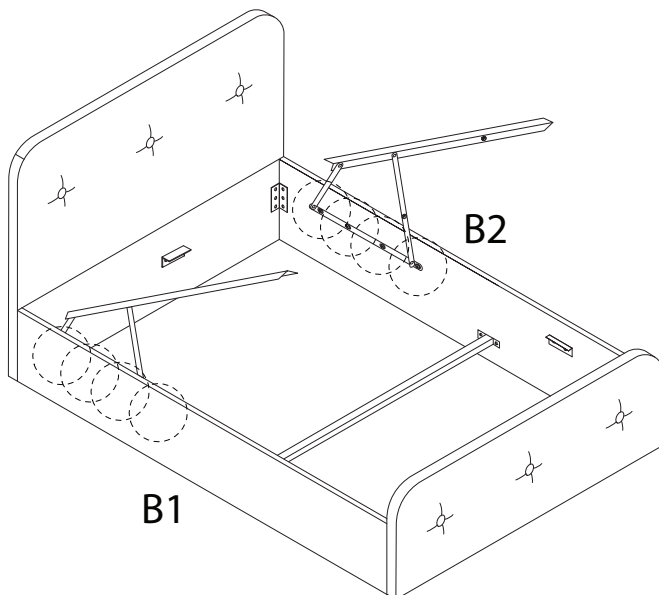
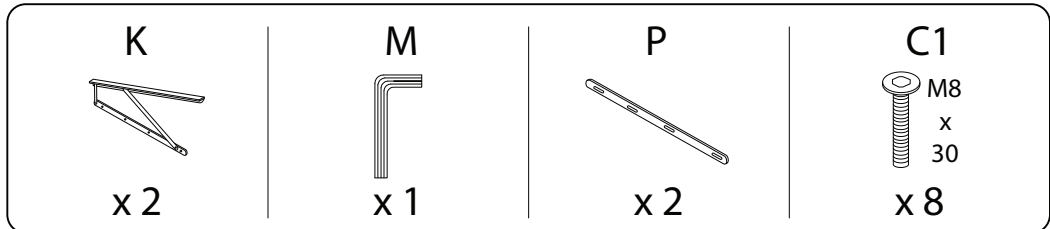
6



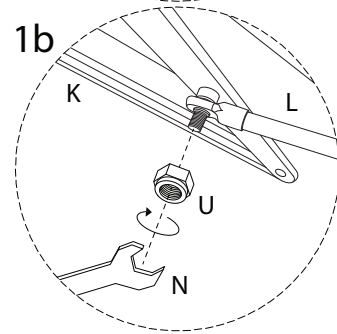
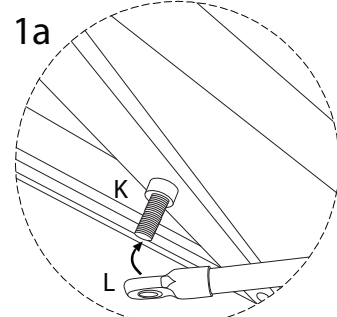
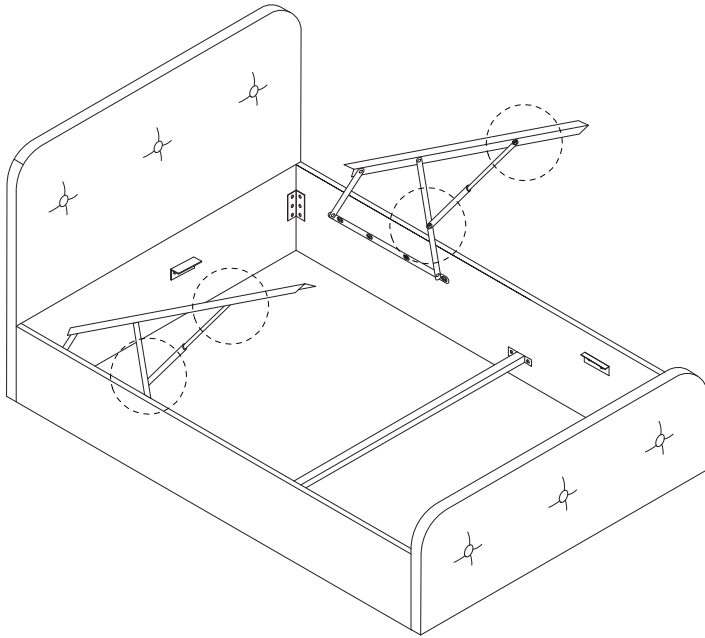
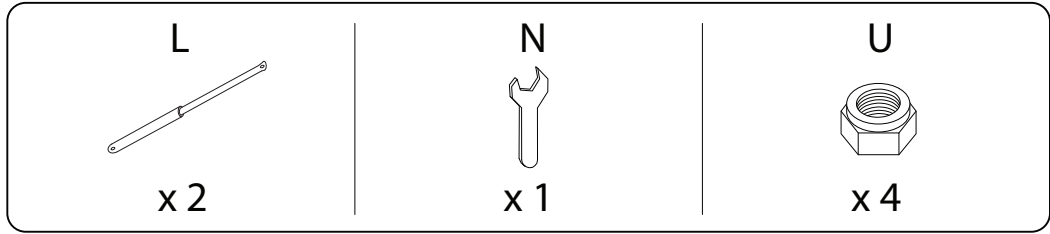
7



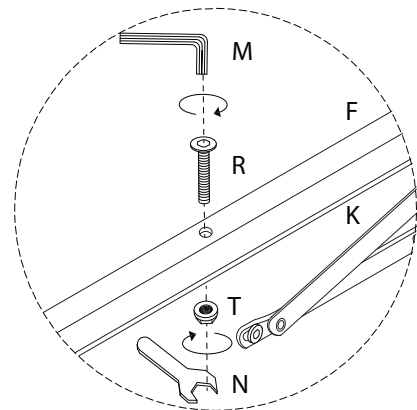
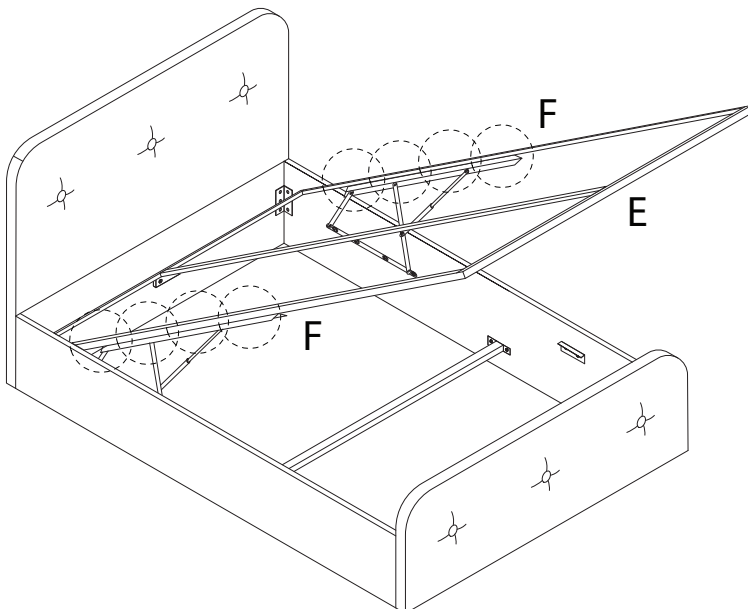
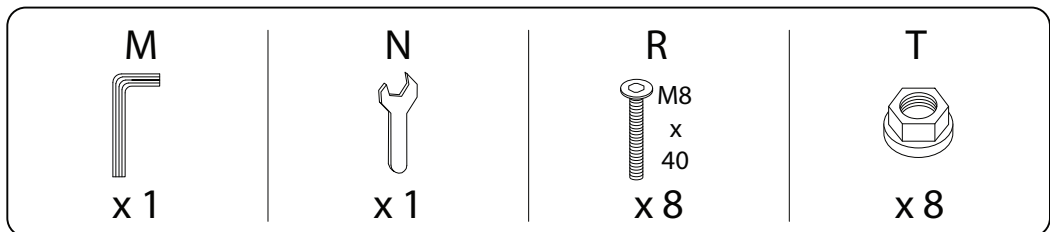
8



9

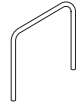


10

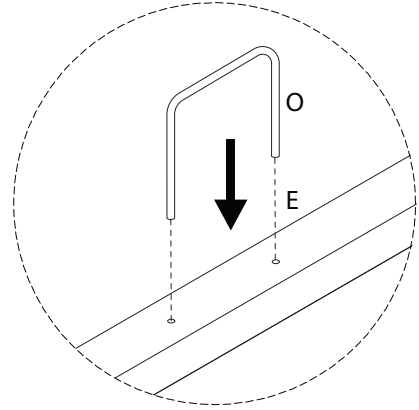
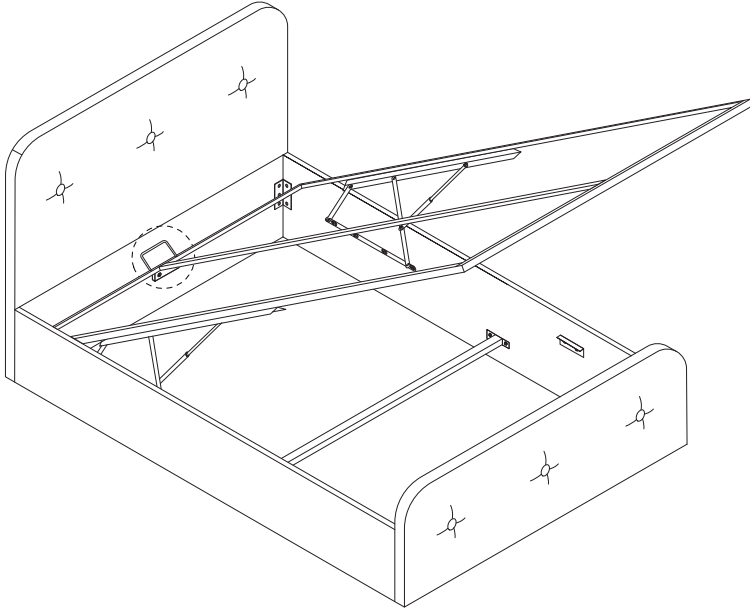


11

O



x1

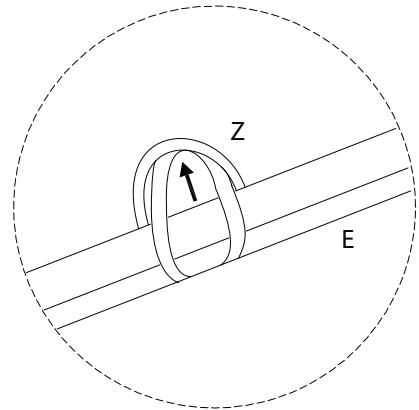
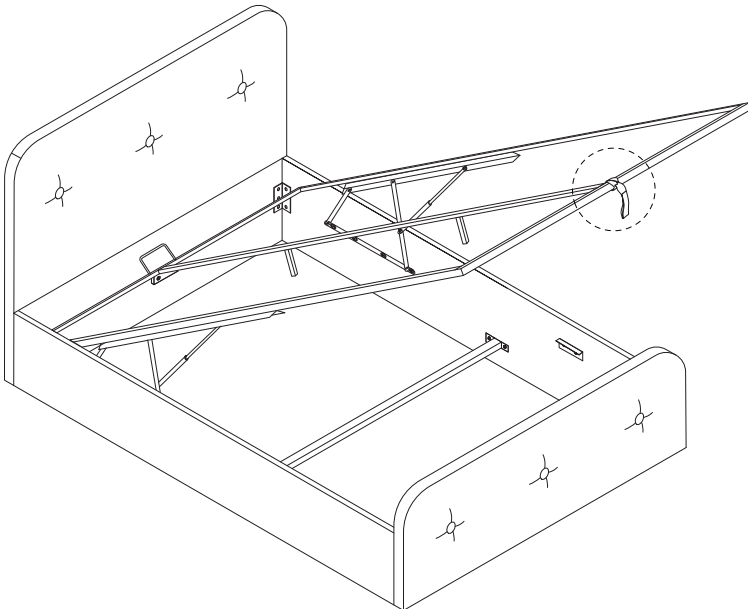


12

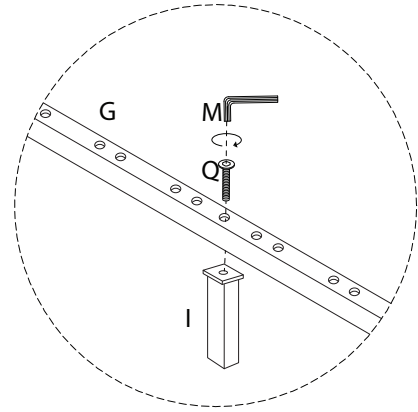
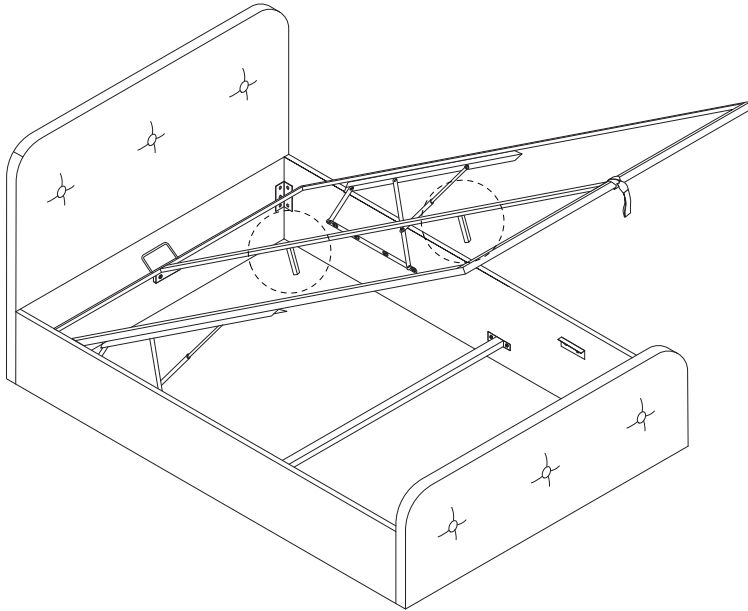
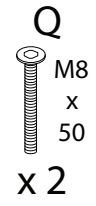
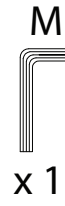
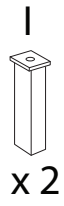
Z



x1

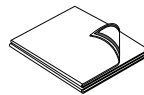


13

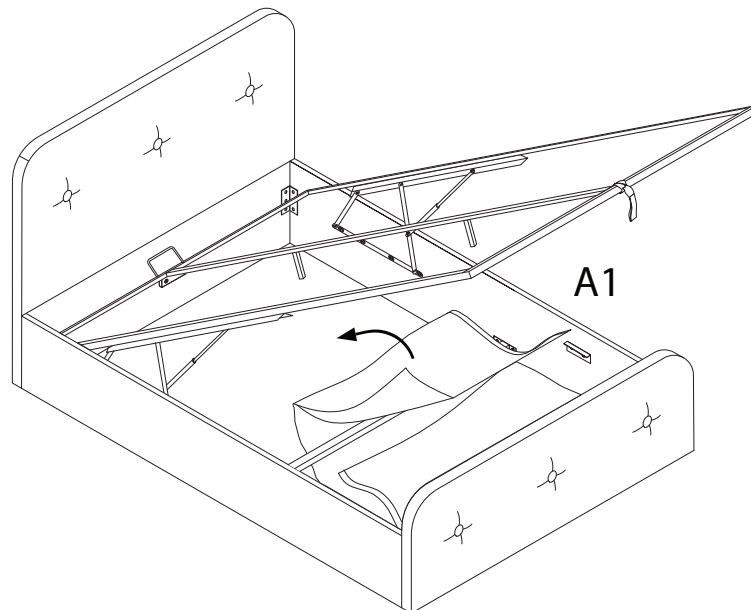


14

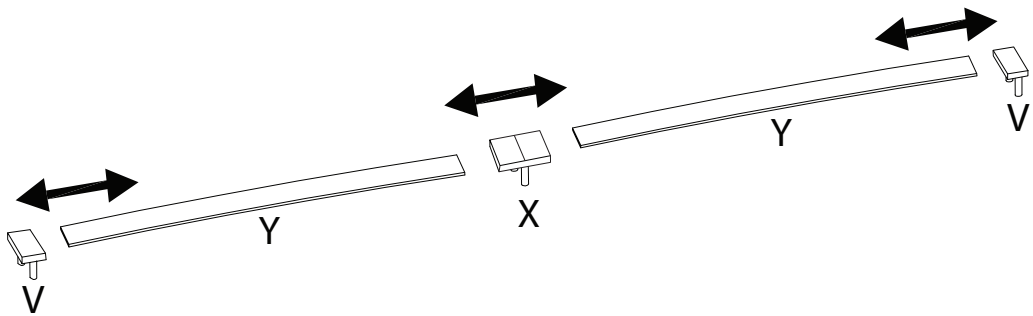
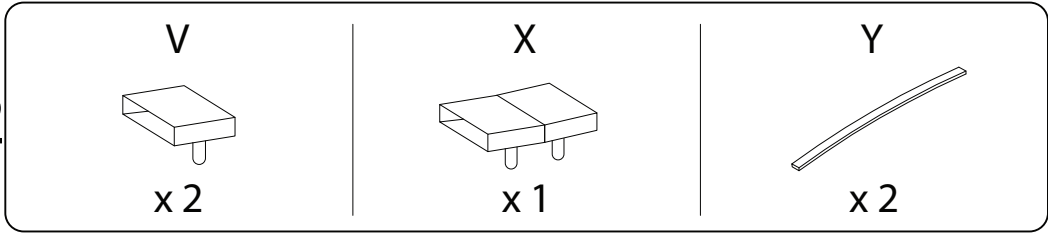
A1



x 1



15 x 12



16

