

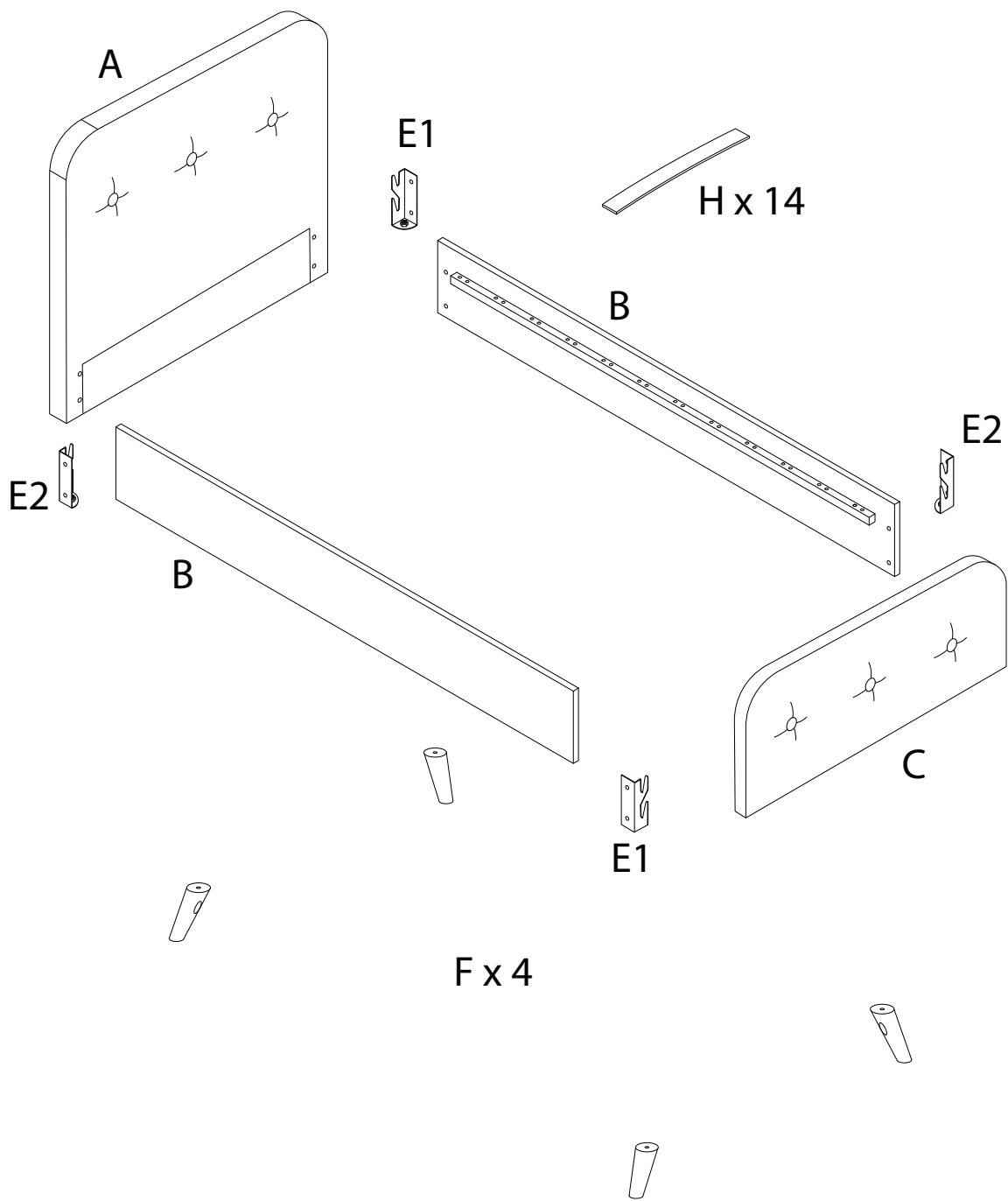
RENNES

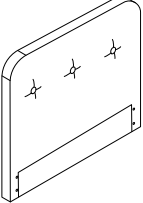
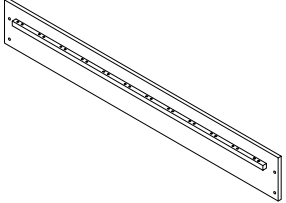
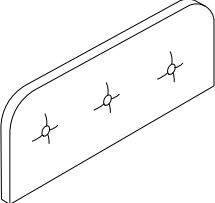




Diagram illustrating assembly instructions and safety warnings:

- Warning 1:** A triangle with an exclamation mark. To its left, a circular inset shows an L-shaped metal bracket. To its right, a power drill is shown with a diagonal line through it, indicating that a power drill should not be used for this step.
- Warning 2:** A triangle with an exclamation mark. To its left, a circular inset shows a rectangular block being placed on a surface. To its right, a similar block is shown with a diagonal line through it, indicating that the block should not be placed on a soft surface like a rug.
- Time:** A clock icon with the text "30'" below it, indicating an estimated assembly time of 30 minutes.
- Personnel:** An icon of a person with the number "2" below it, indicating that two people are required for assembly.



<p>A</p>  <p>x 1</p>	<p>B</p>  <p>x 2</p>	<p>C</p>  <p>x 1</p>
---	---	---

D



x 2

E1



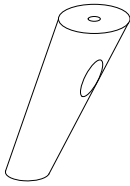
x 2

E2



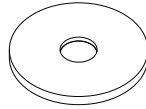
x 2

F



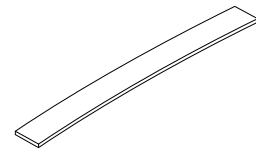
x 4

G



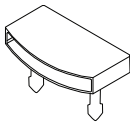
x 4

H



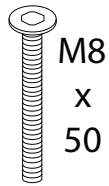
x 14

I



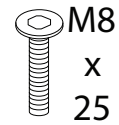
x 28

J



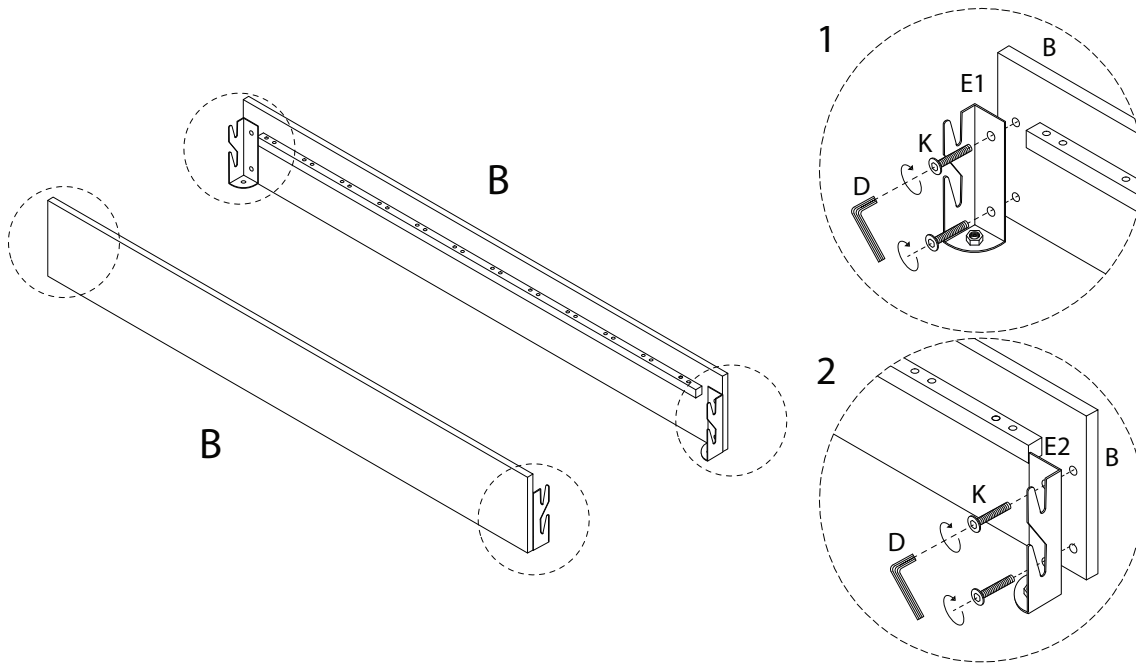
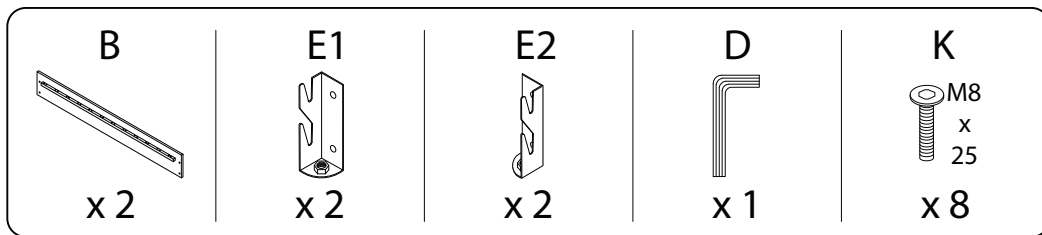
x 4

K

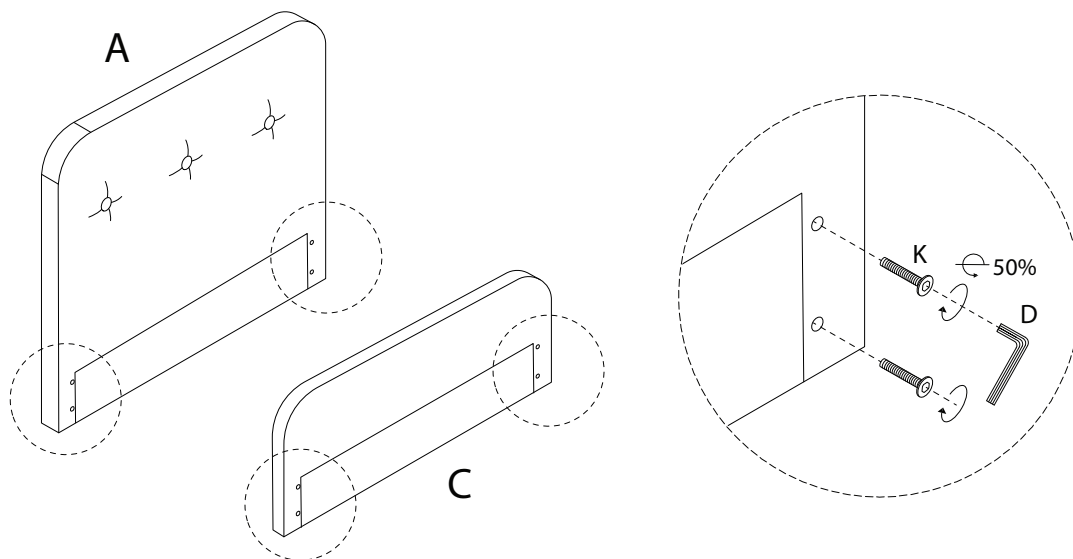
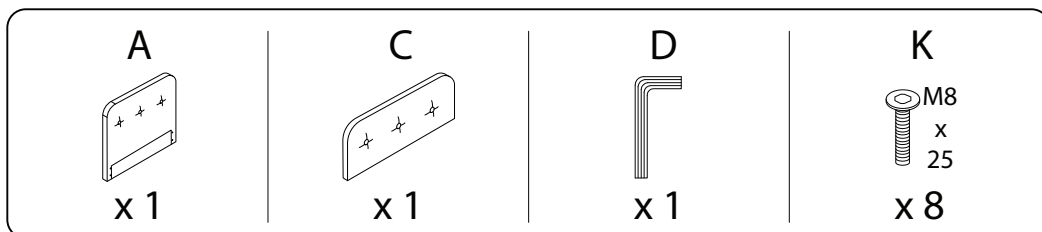


x 16

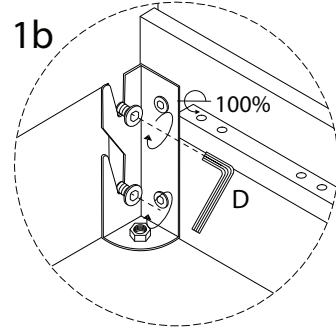
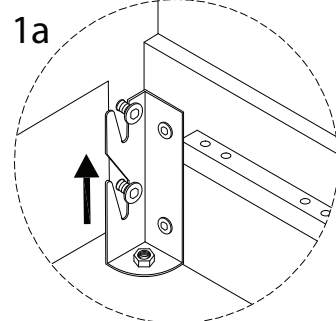
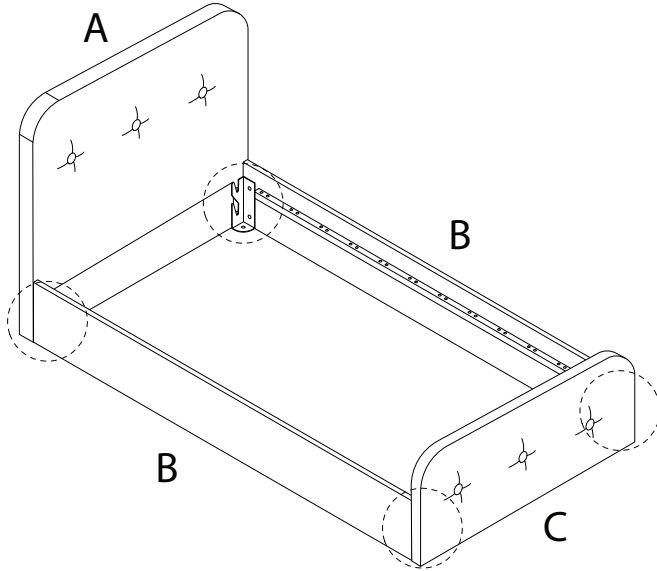
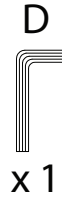
1



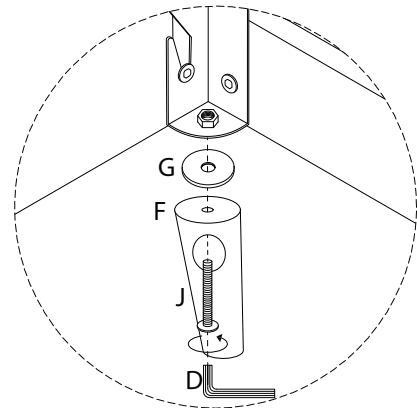
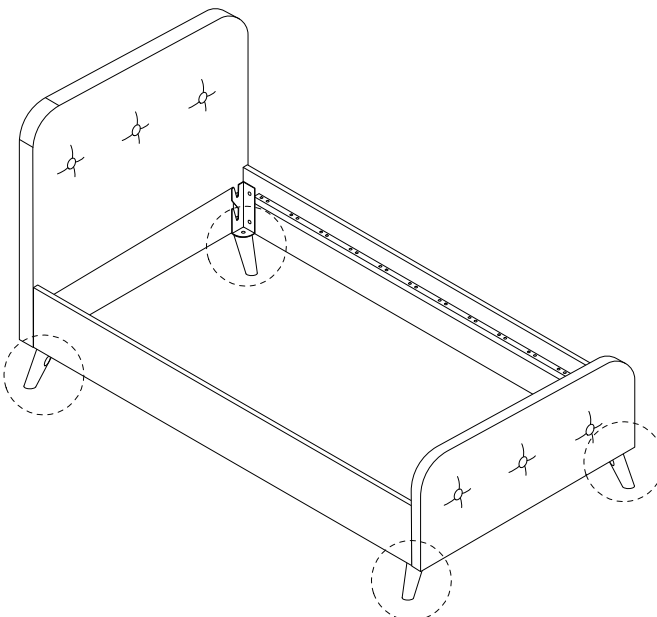
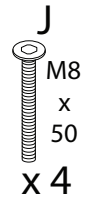
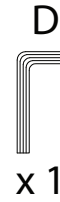
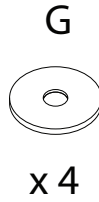
2



3

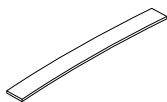


4



5 x 14

H

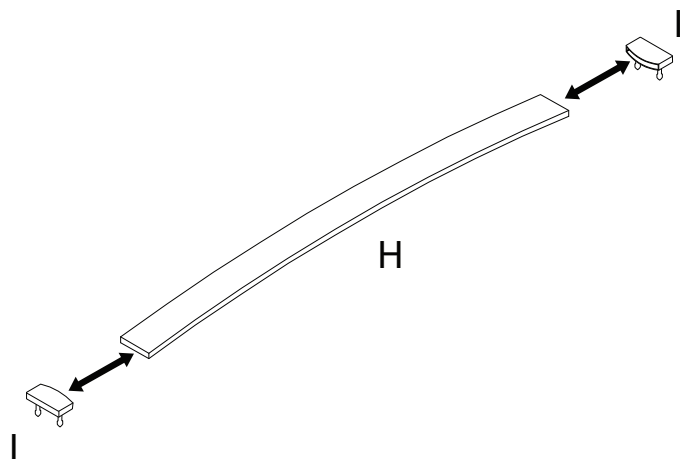


x 1

I



x 2



6

