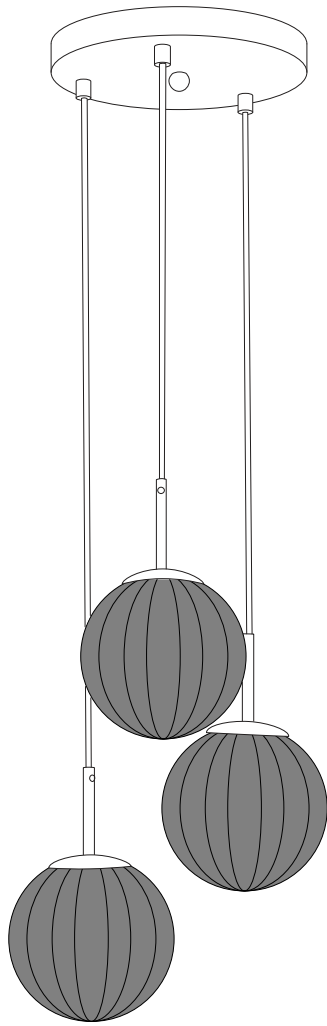
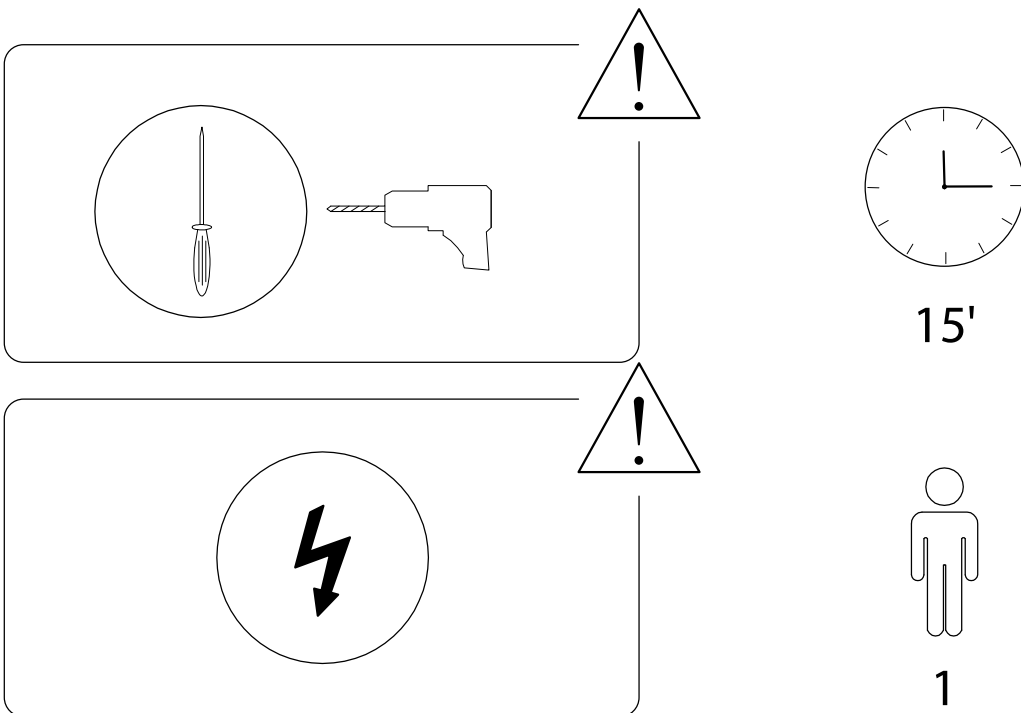
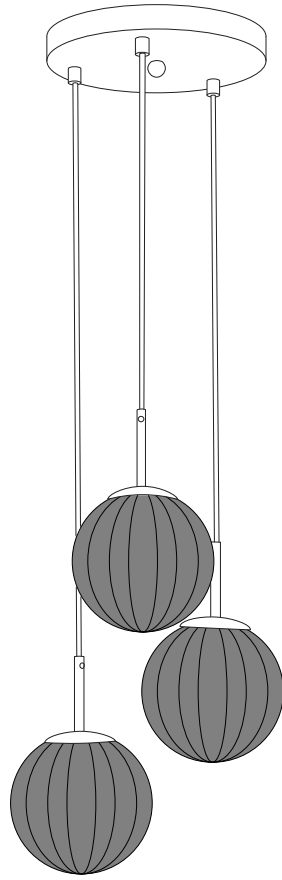
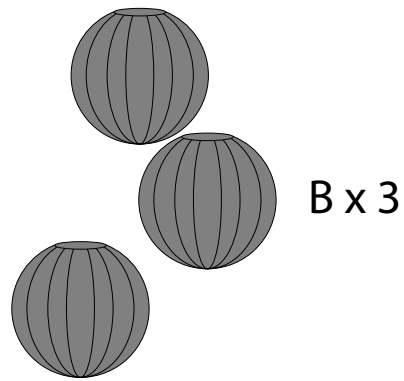
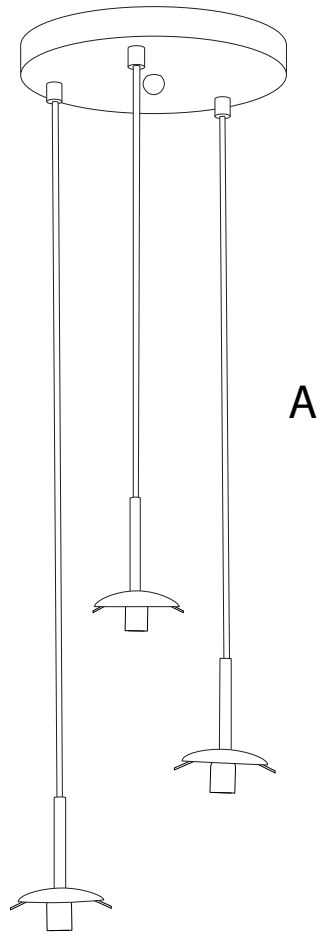


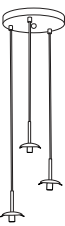
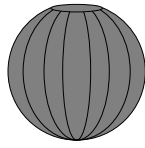
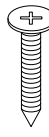

KANGAROO



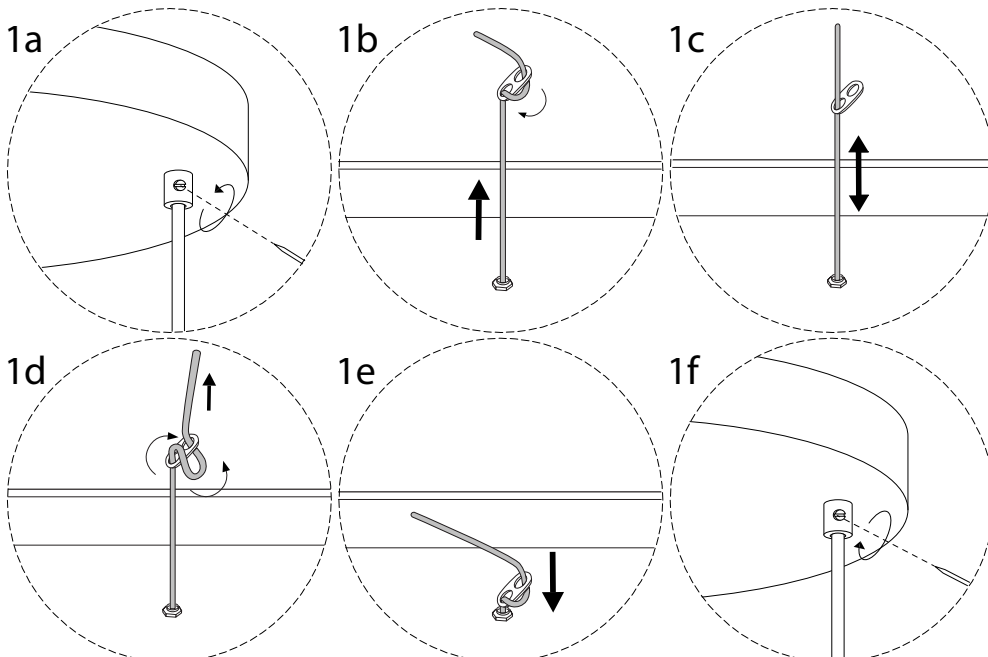
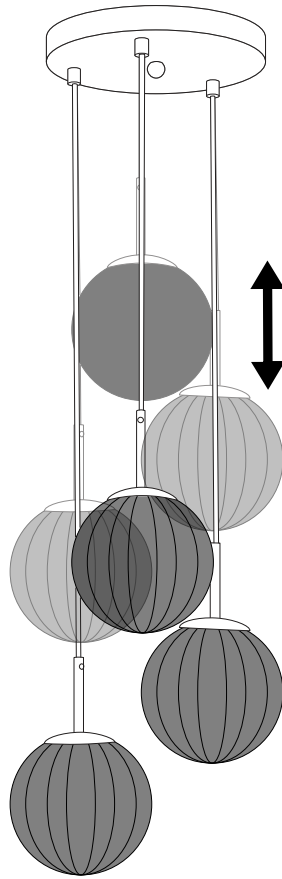


1/5

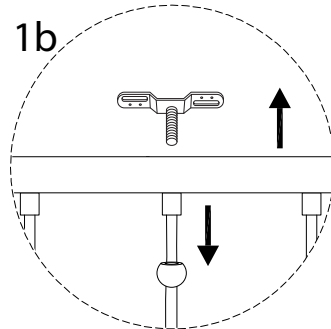
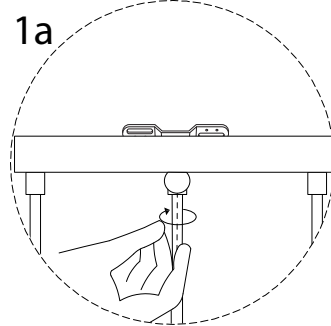
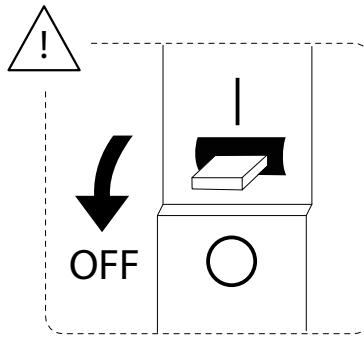
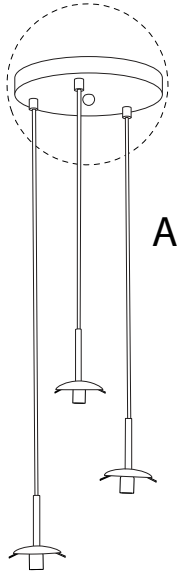


A	B	C	D
			
x 1	x 3	x 2	x 2

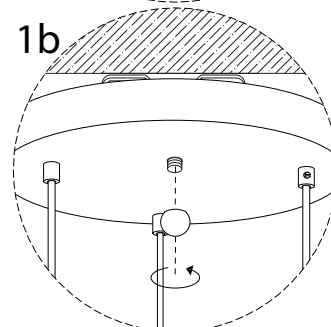
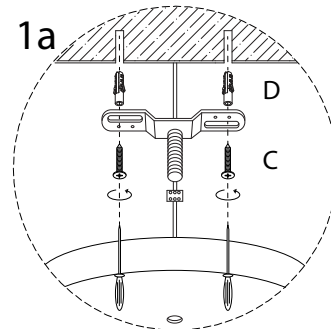
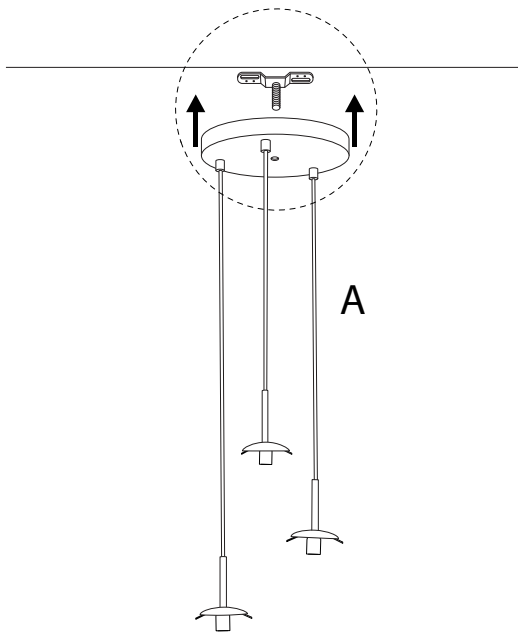
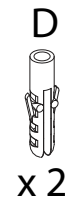
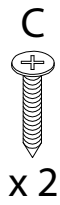
!



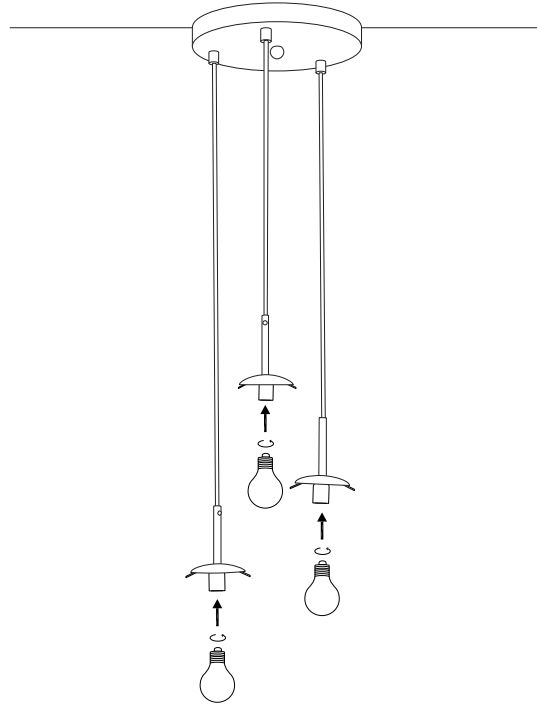
1



3



3



4

B



x 3

