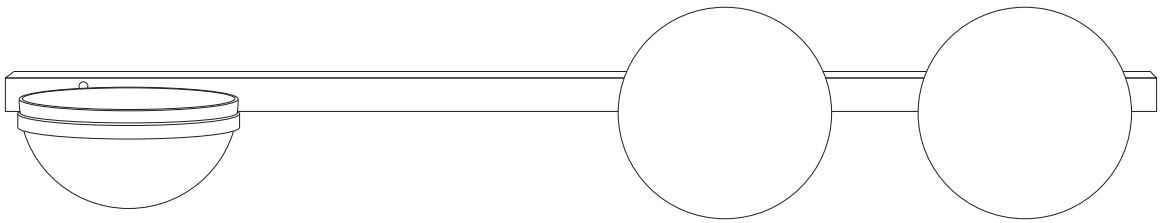
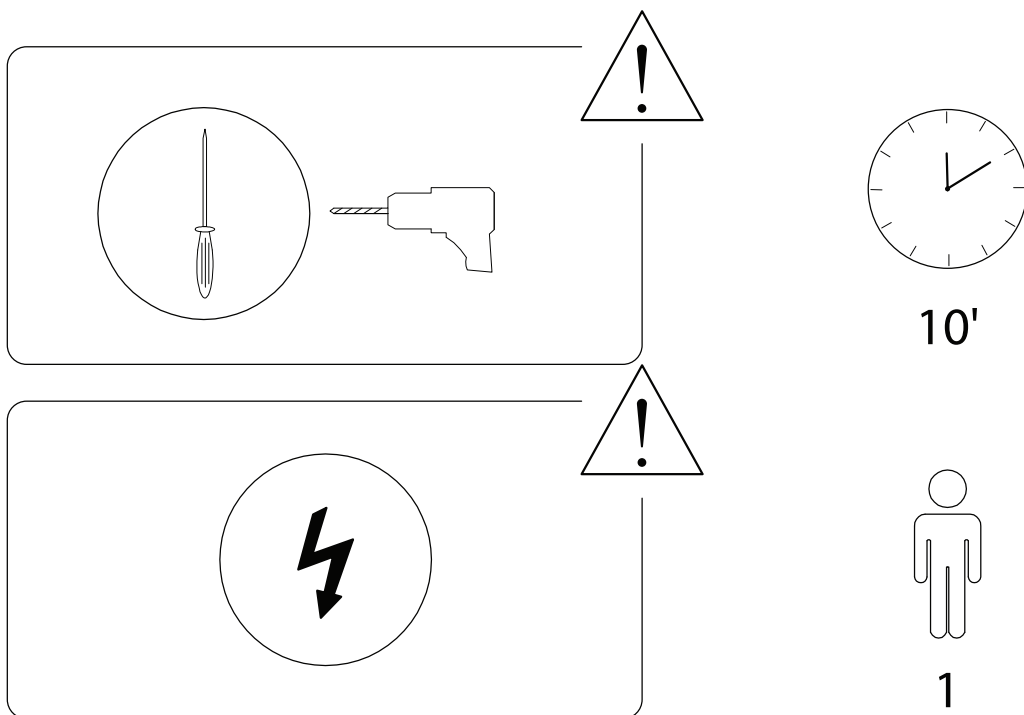
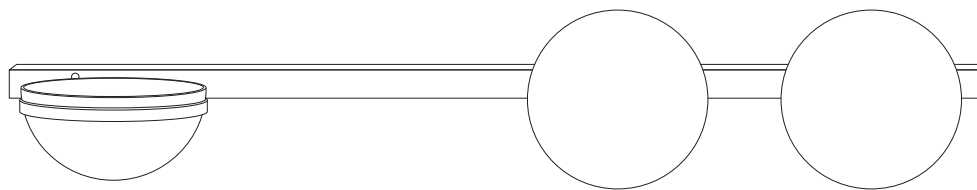
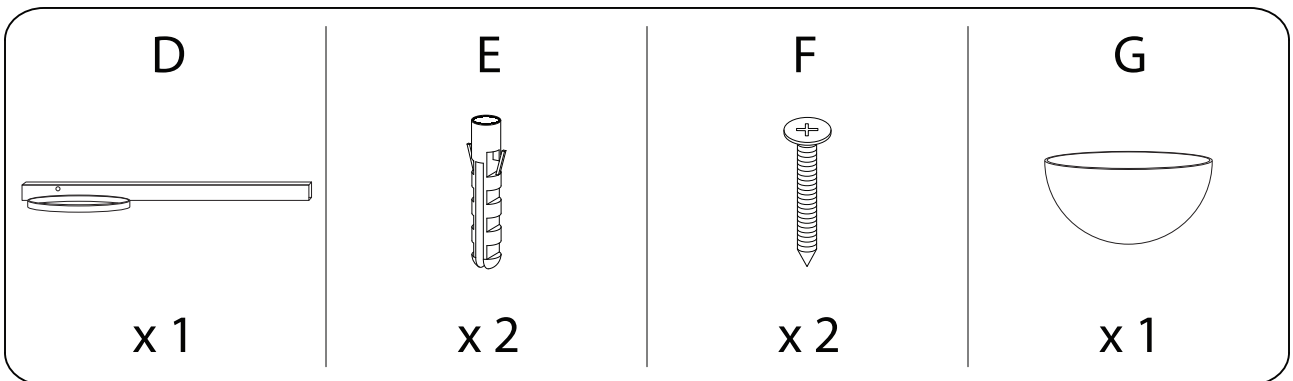
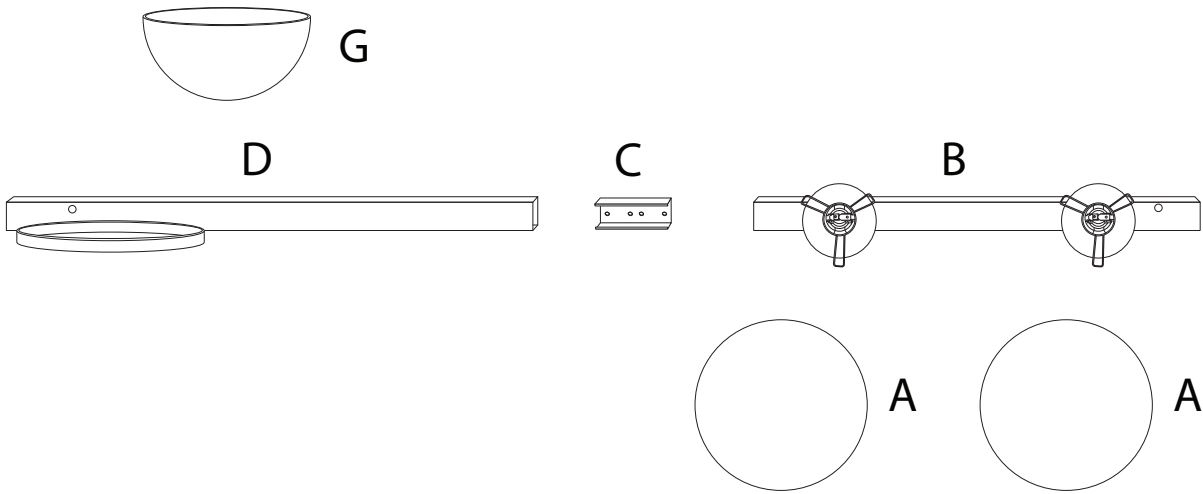
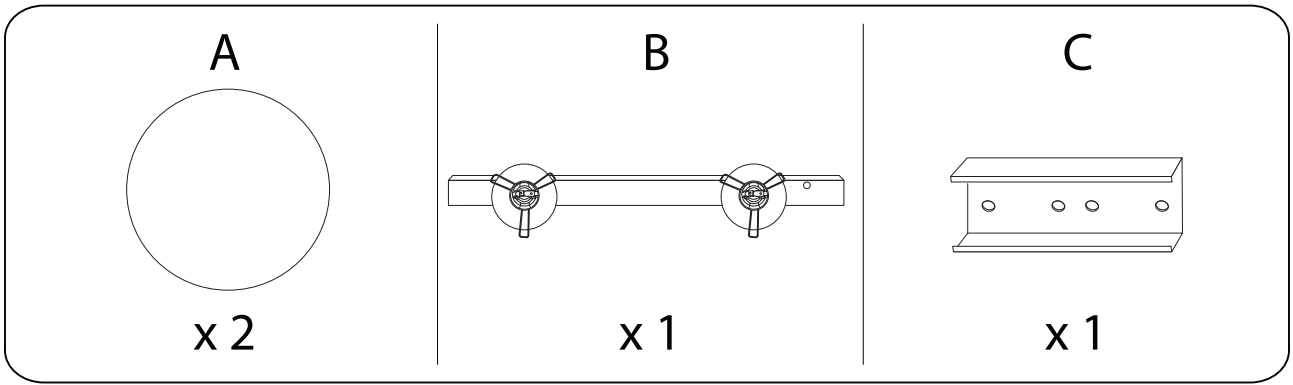


# ISABELLA

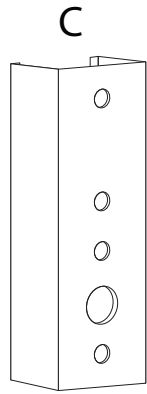




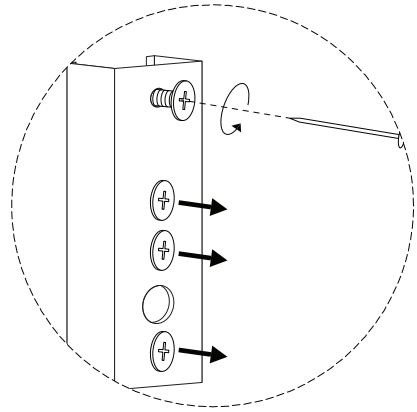
1/5



!

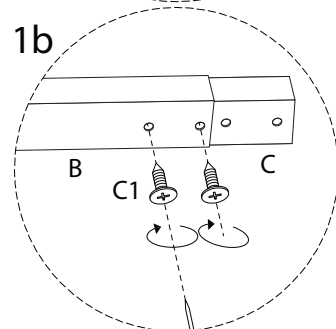
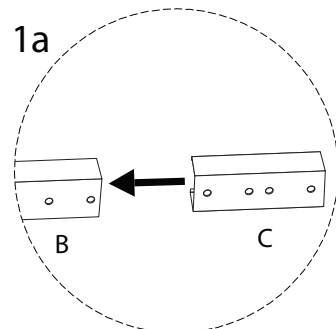
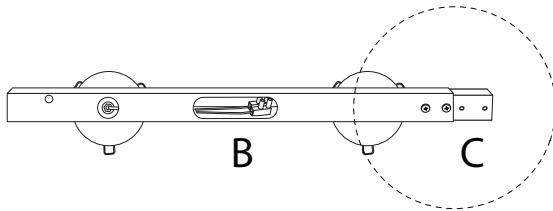


- C1
- C1
- C1
- C1
- C1



1

<b>B</b>  x 1	<b>C</b>  x 1	<b>C1</b>  x 2
---------------------	---------------------	----------------------



2

C1

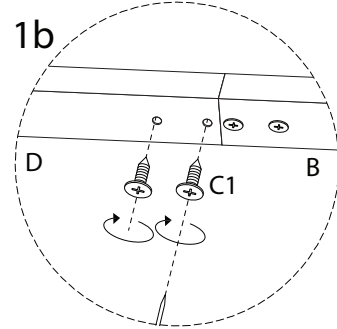
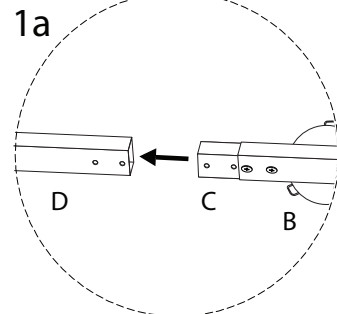
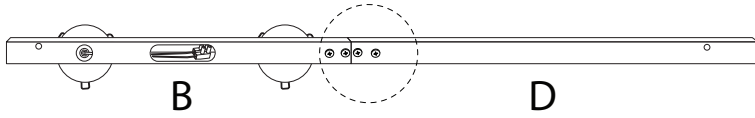


x 2

D



x 1



3

E

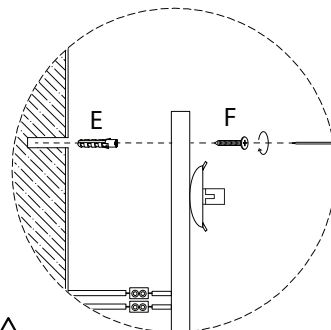
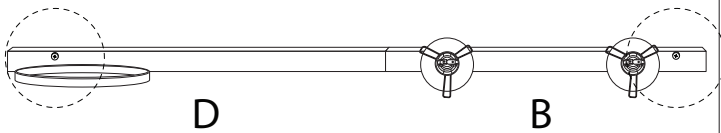


x 2

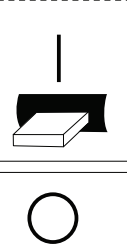
F



x 2

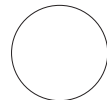


OFF

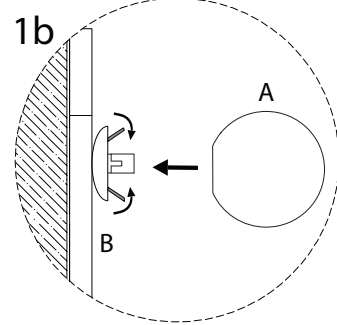
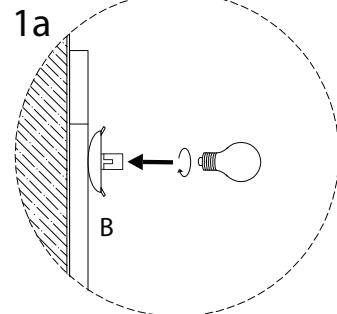
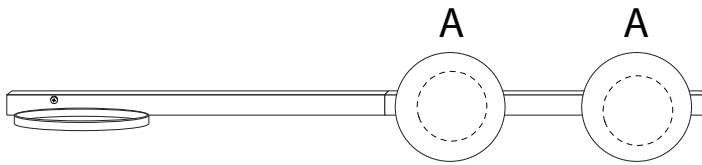


4

A

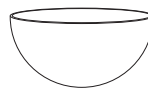


x 2



5

G



x 1

