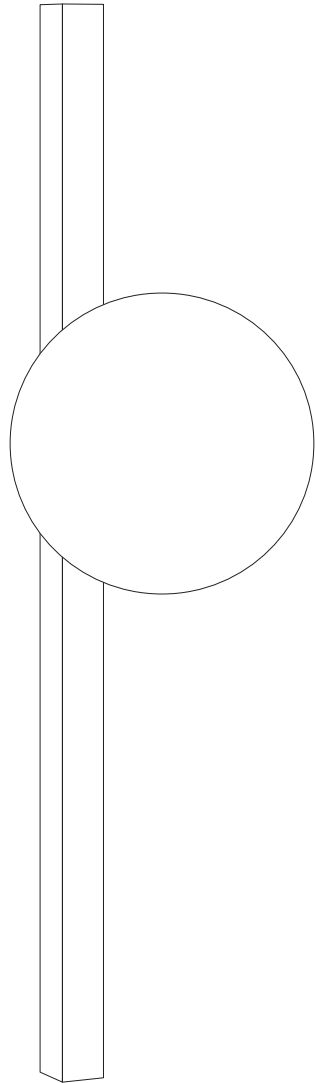
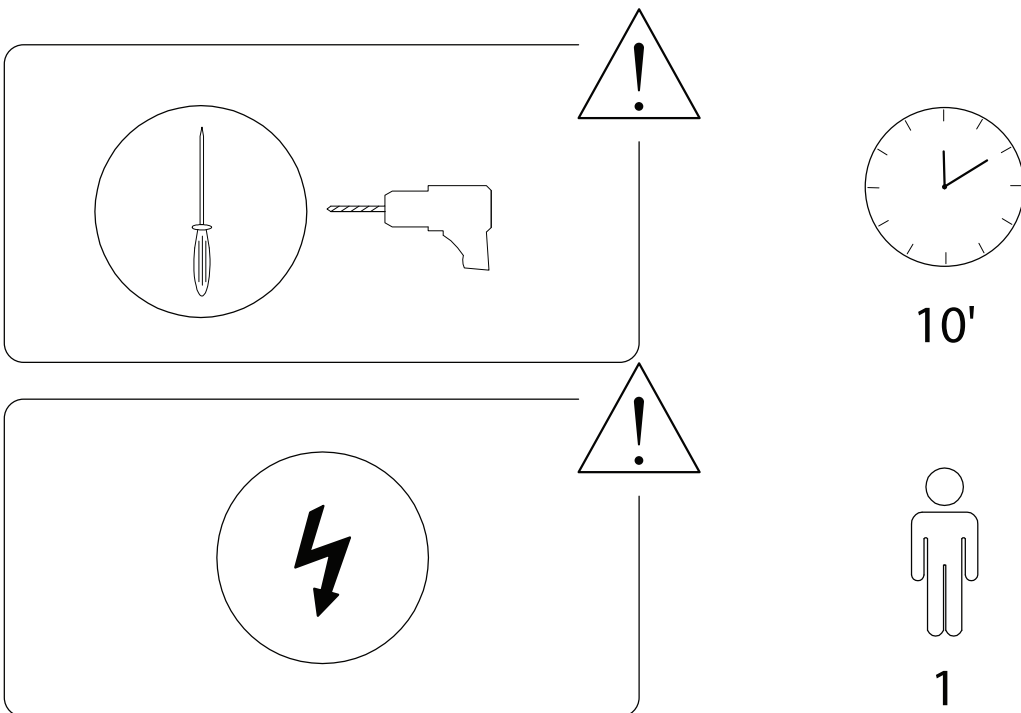
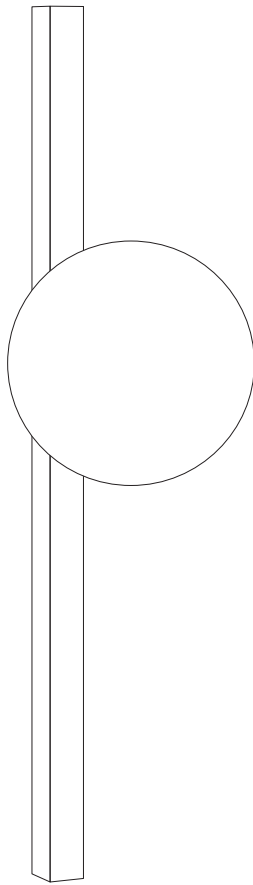
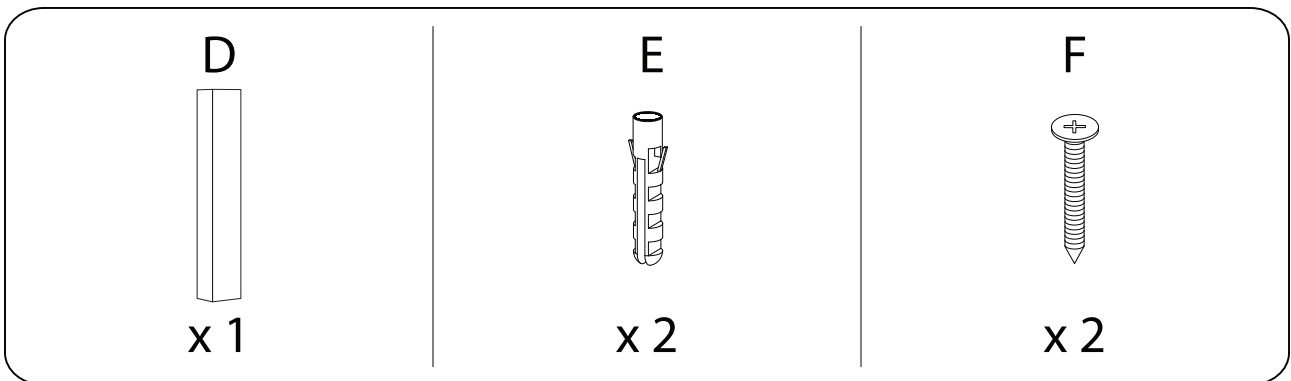
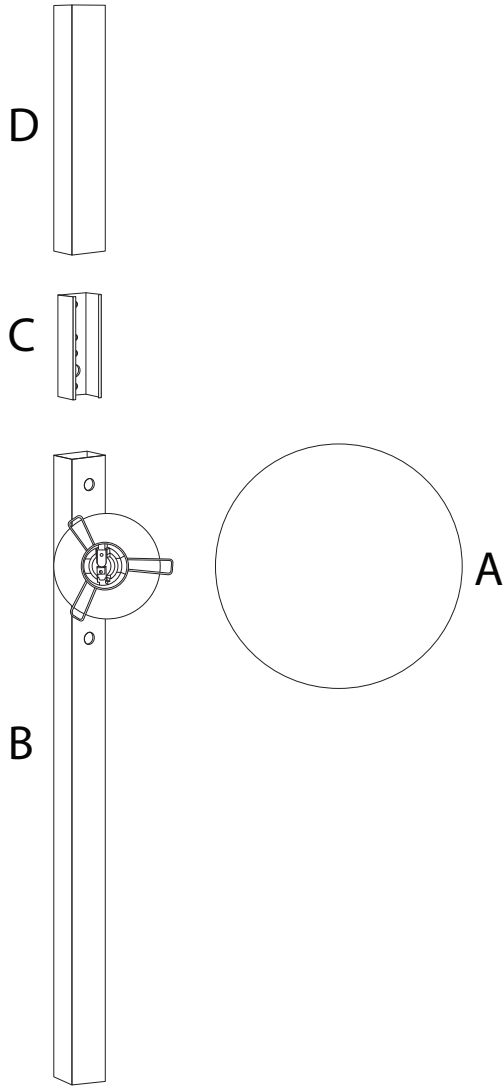
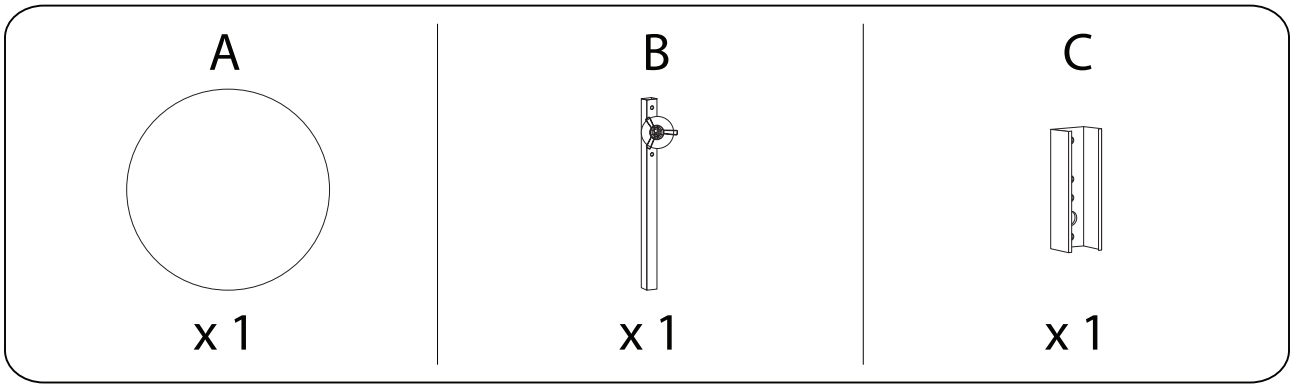


ISABELLA

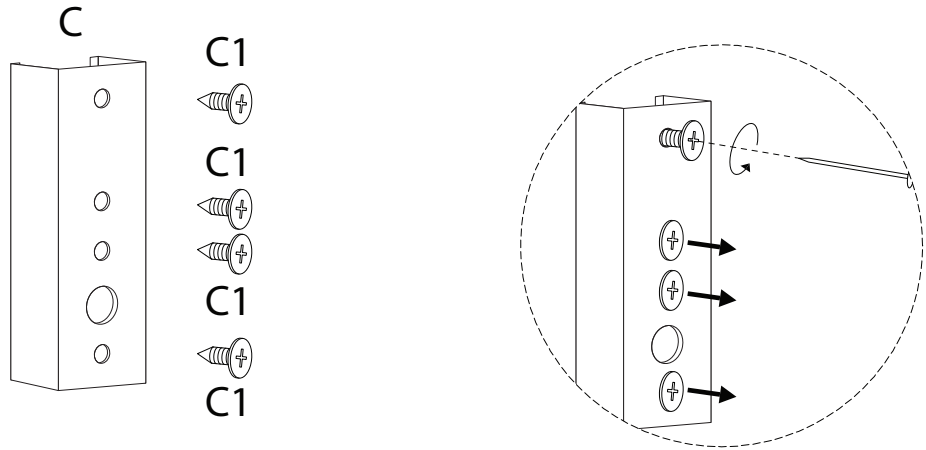




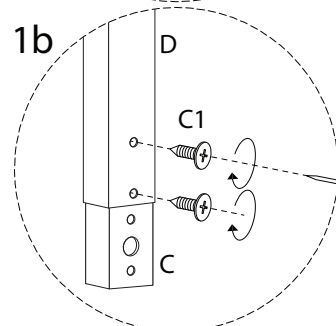
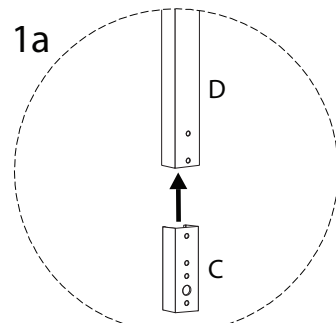
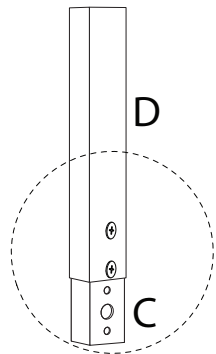
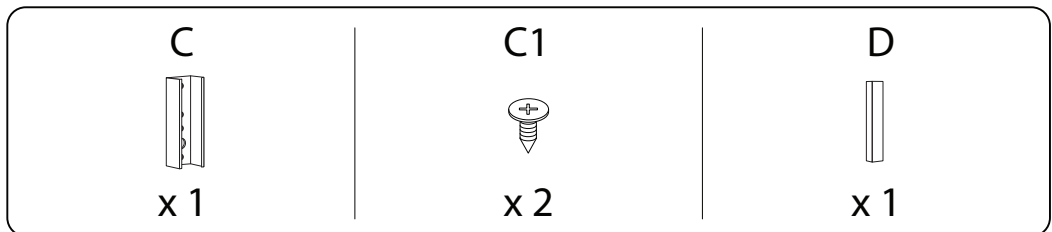
1/5



!



1



2

B

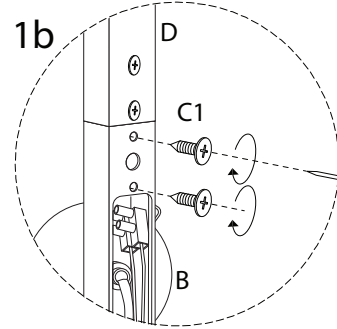
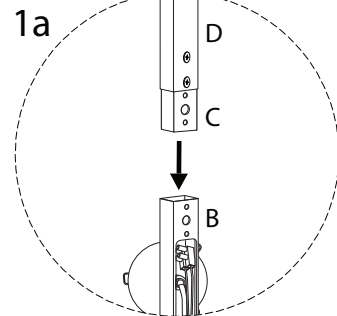
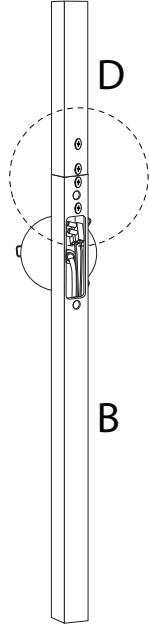


x 1

C1



x 2



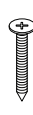
3

E

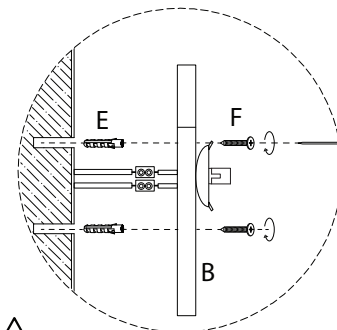
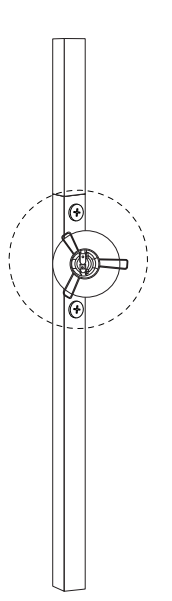


x 2

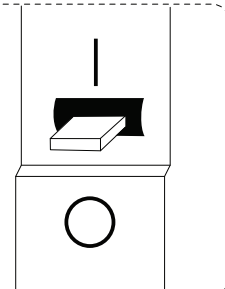
F



x 2



OFF



4

