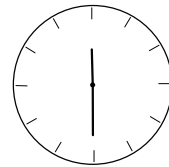
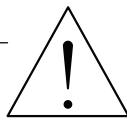
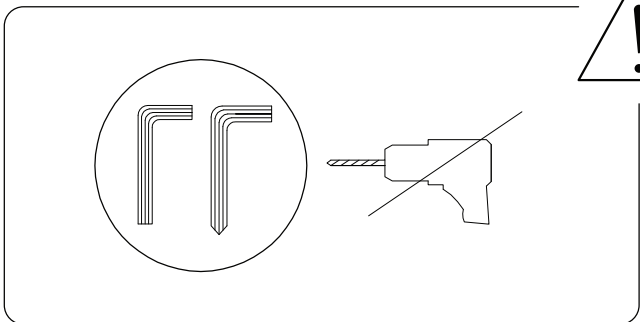
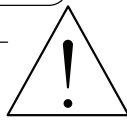
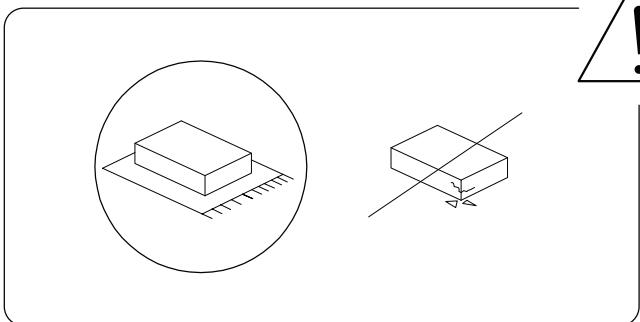


GLEAM

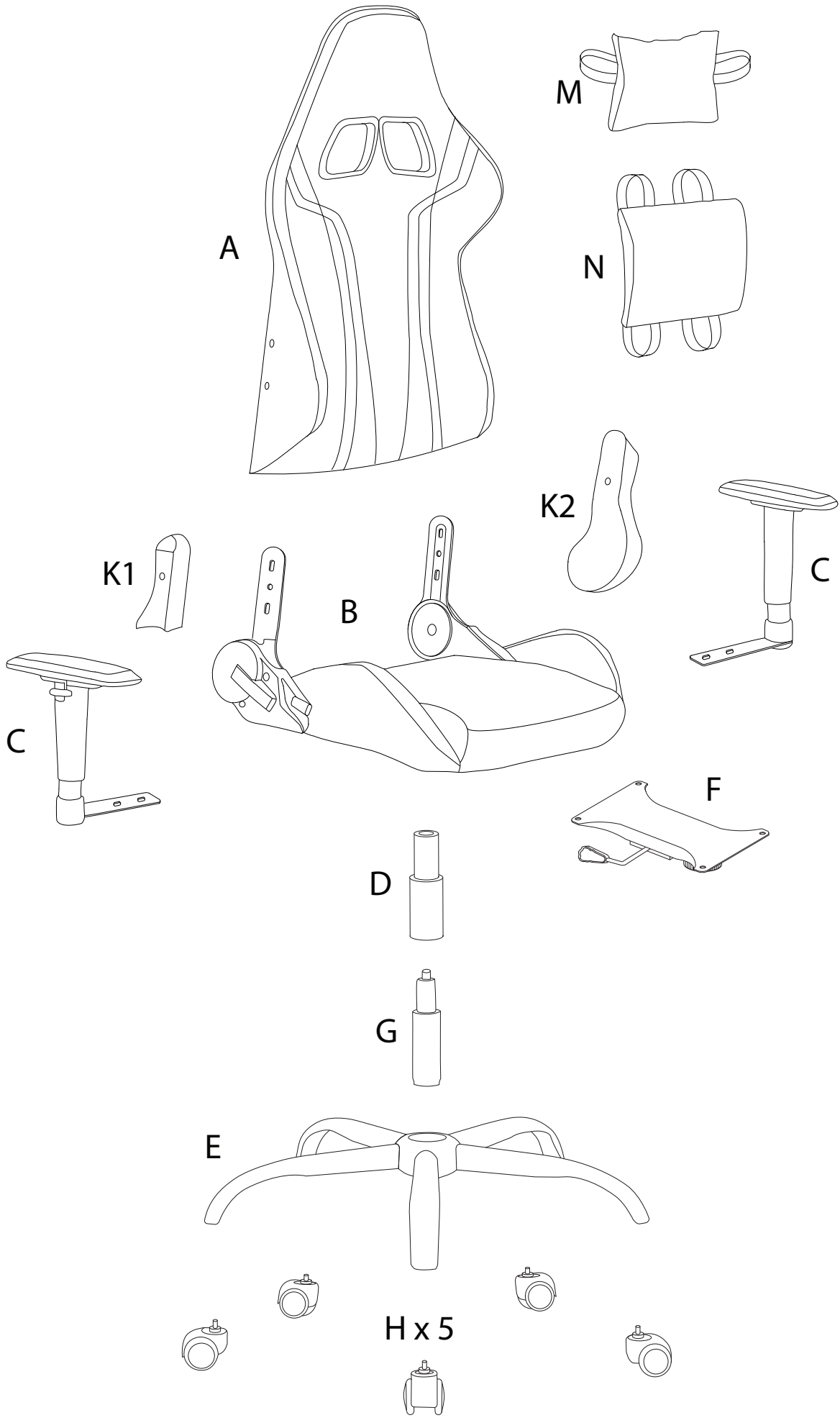




30'



1



A



x 1

B



x 1

C



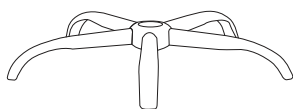
x 2

D



x 1

E



x 1

F



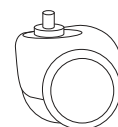
x 1

G



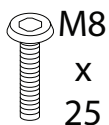
x 1

H



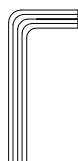
x 5

I



x 12

J



x 1

K1



x 1

K2



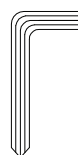
x 1

L1



x 2

L2



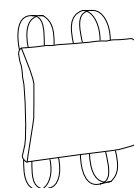
x 1

M



x 1

N



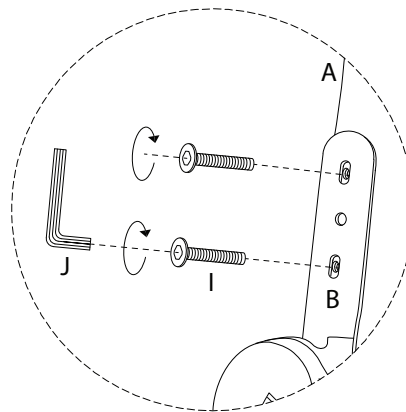
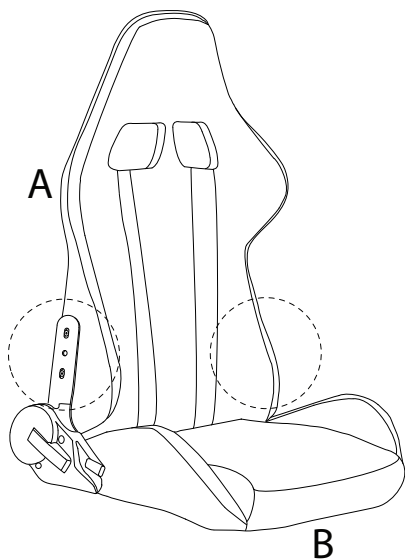
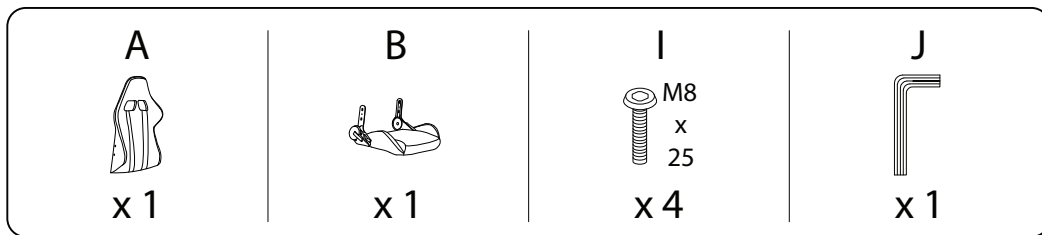
x 1

O

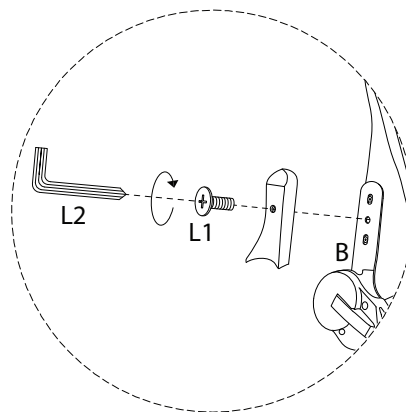
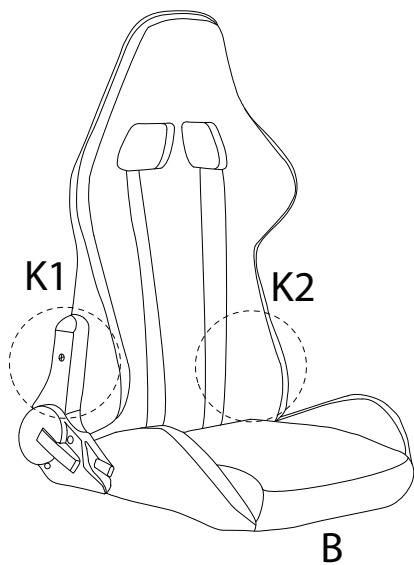
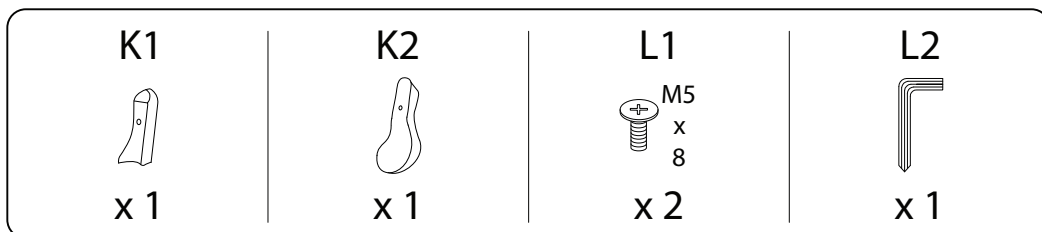


x 1

1

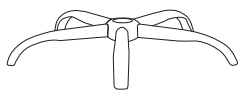


2



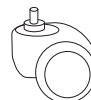
3

E

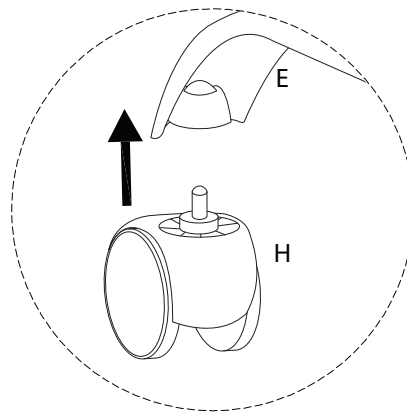
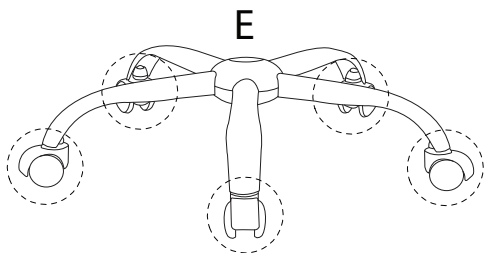


x 1

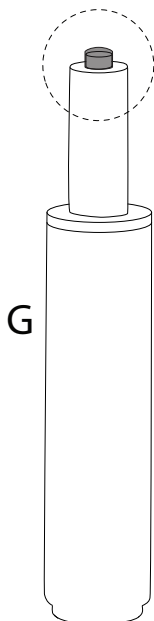
H



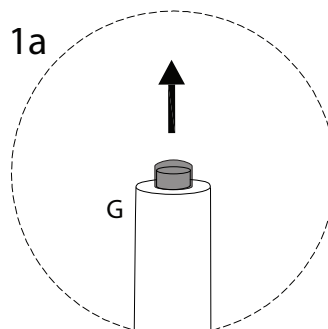
x 5



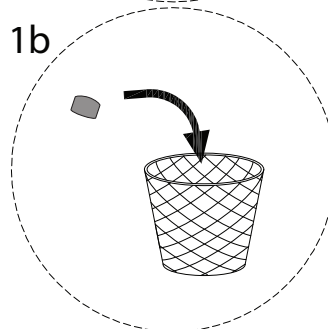
!



1a

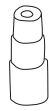


1b



4

D

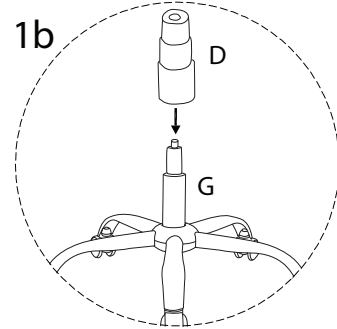
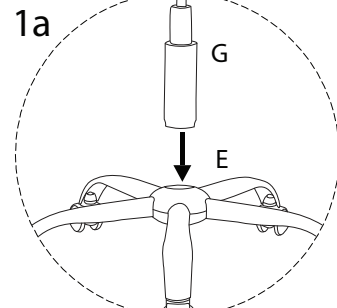
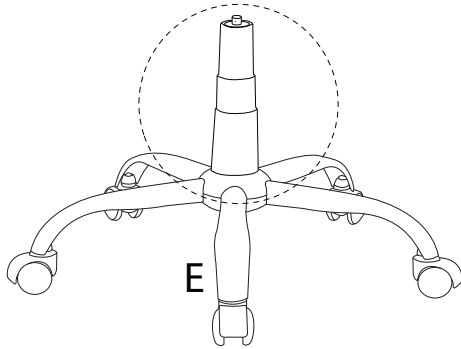


x 1

G



x 5



5

F



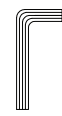
x 1

I

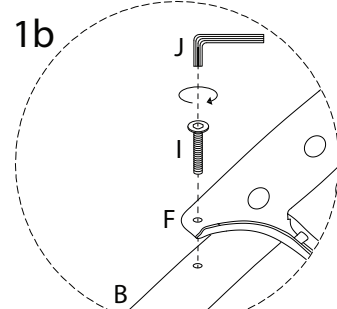
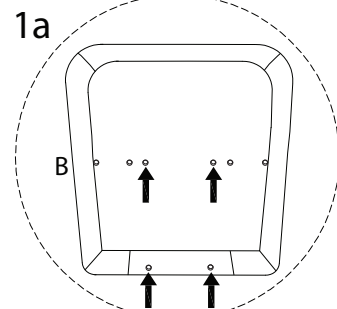
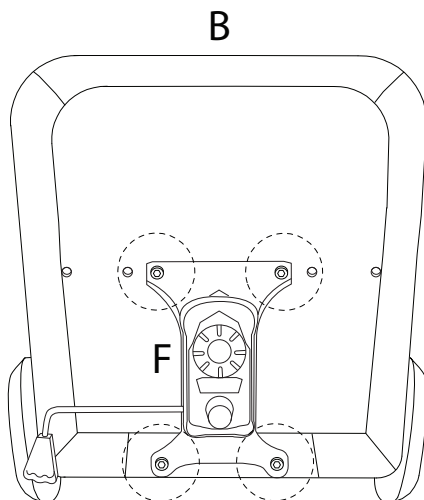


x 4

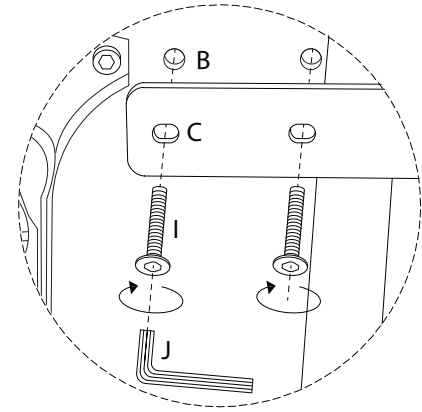
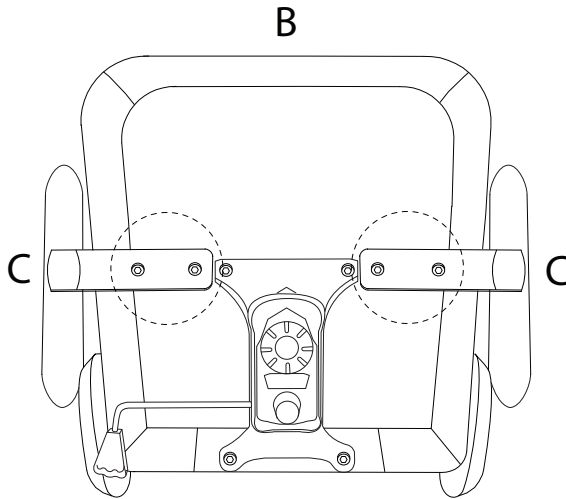
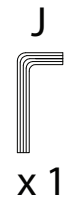
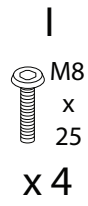
J



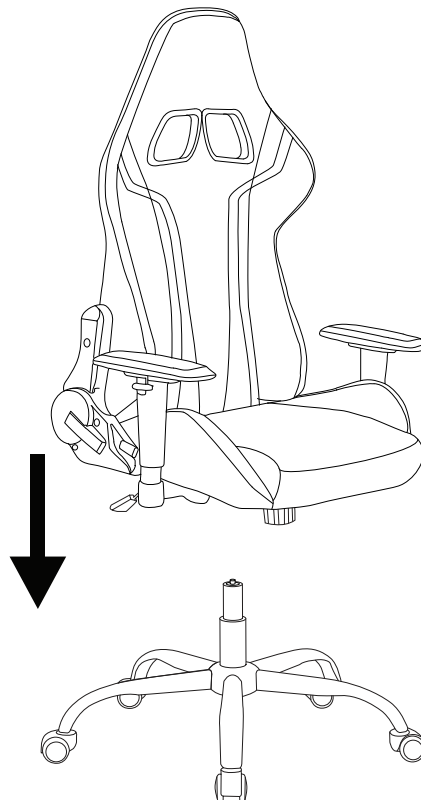
x 1



6



7



8

M

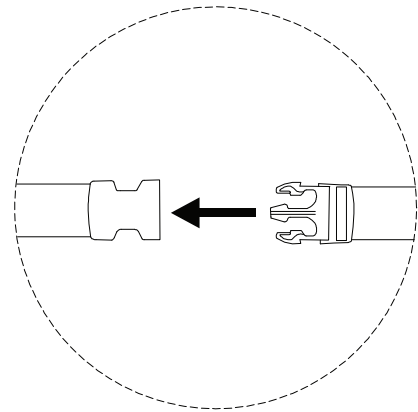
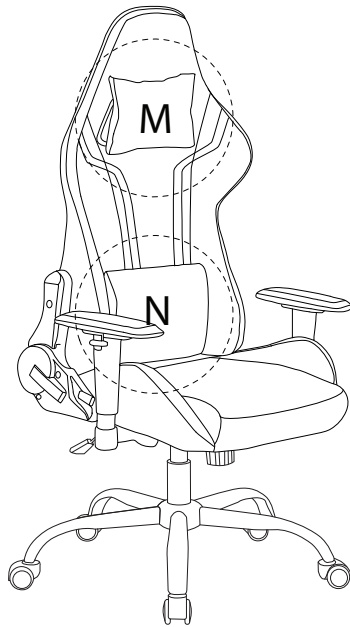


x 1

N



x 1

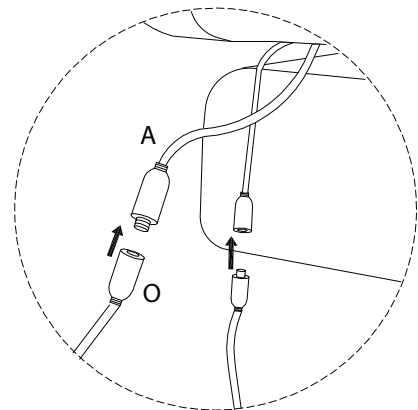
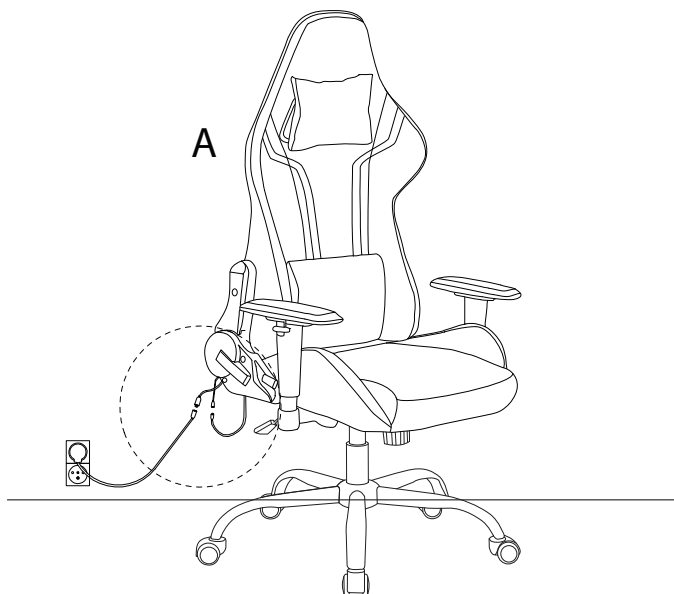


9

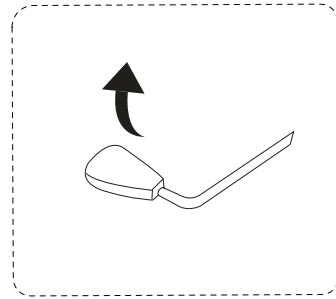
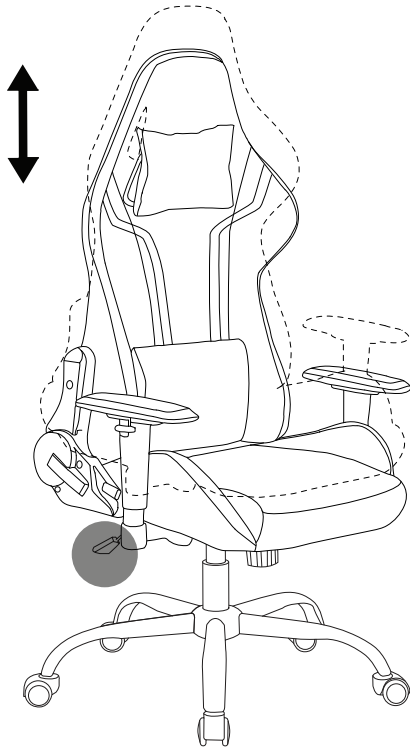
O



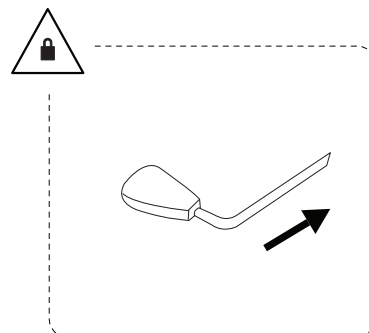
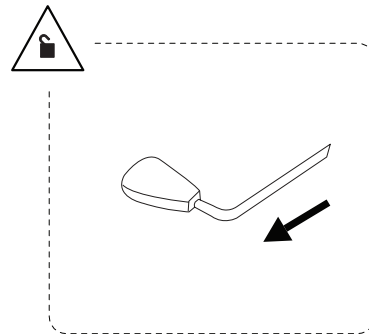
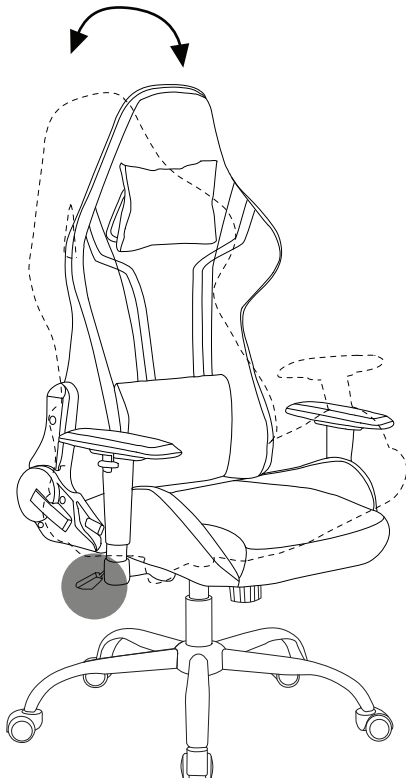
x 1



!



!



!

