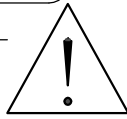
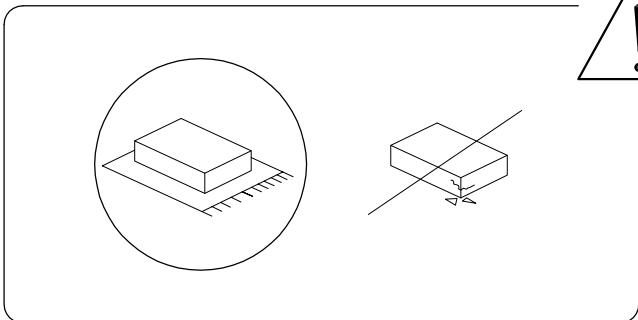


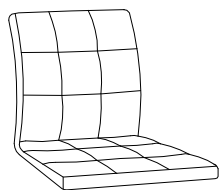
15'



1

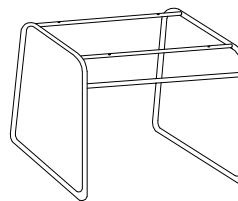
1/3

A



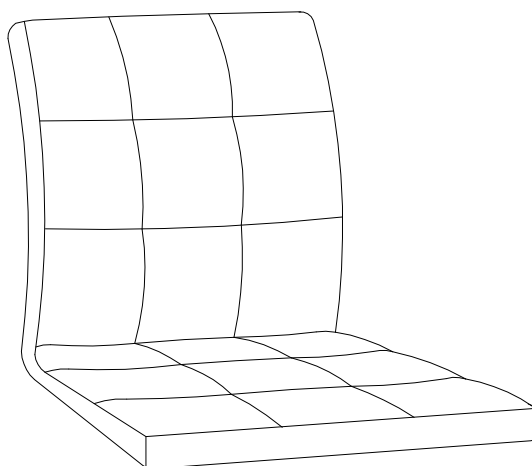
x 1

B

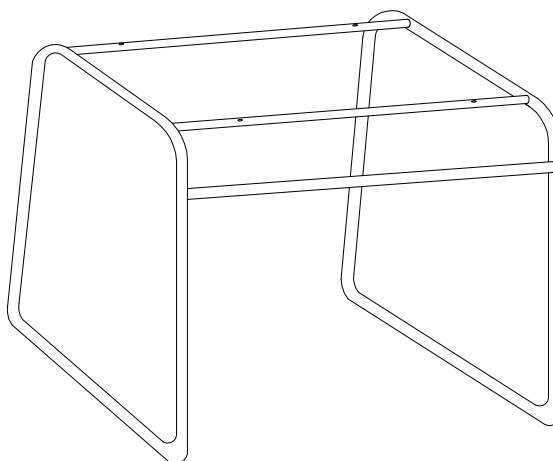


x 1

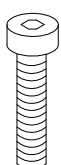
A



B



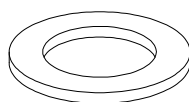
C



**M6
x
25**

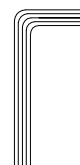
x 4

D



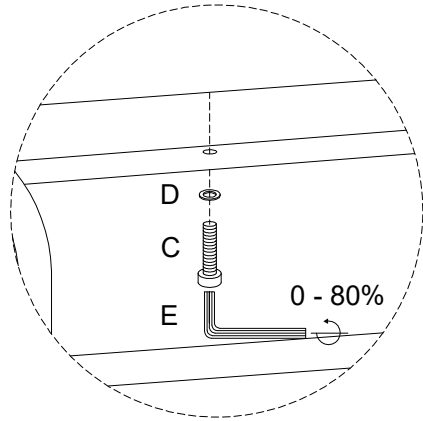
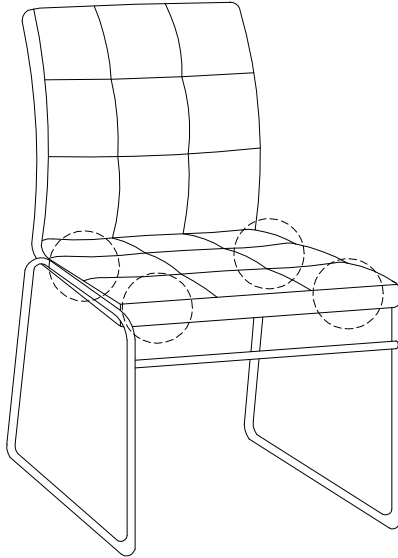
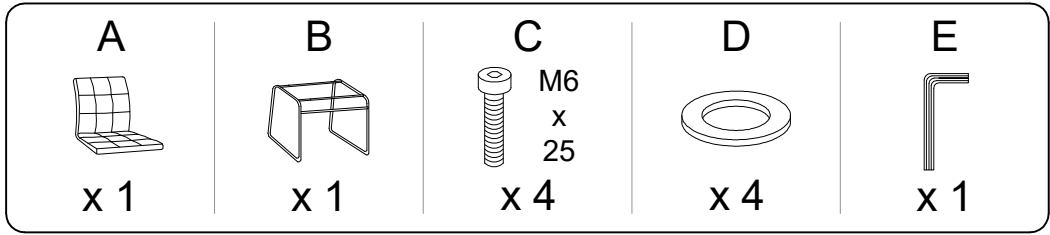
x 4

E



x 1

1



2

