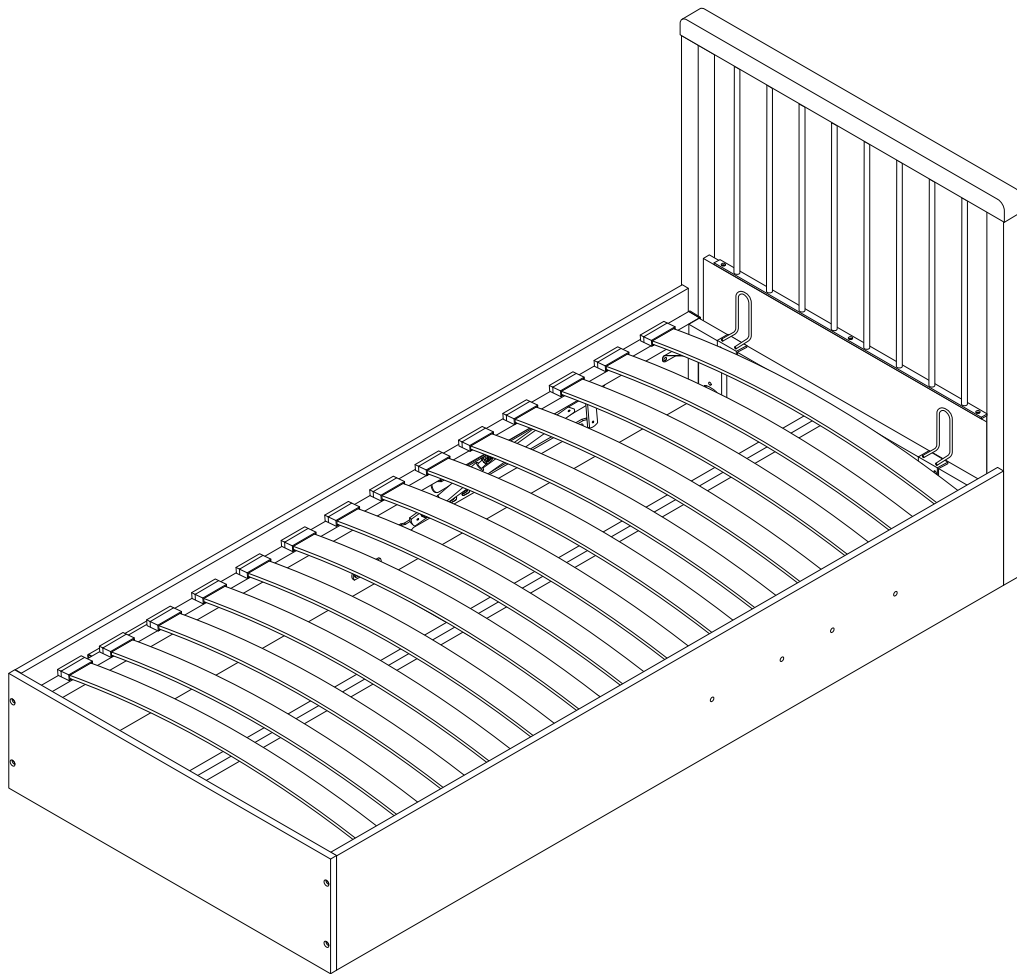
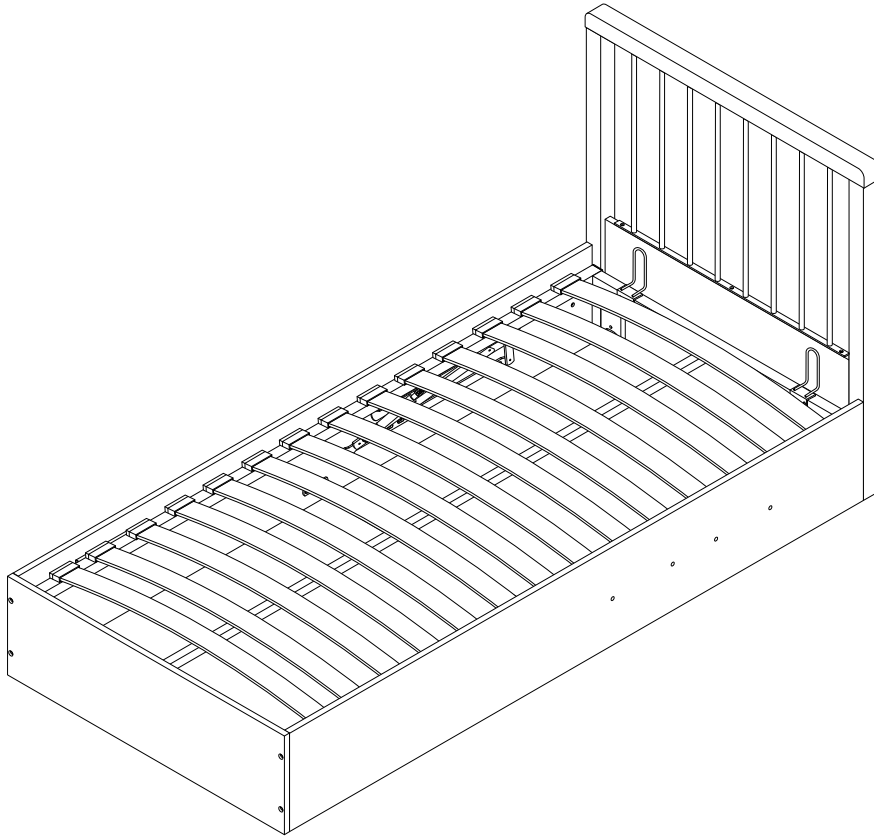
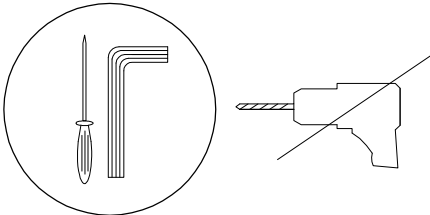

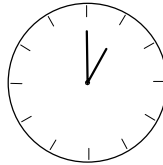
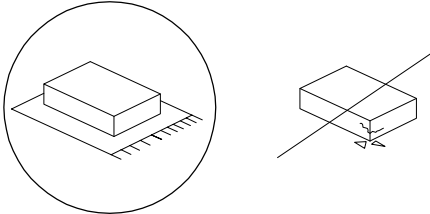


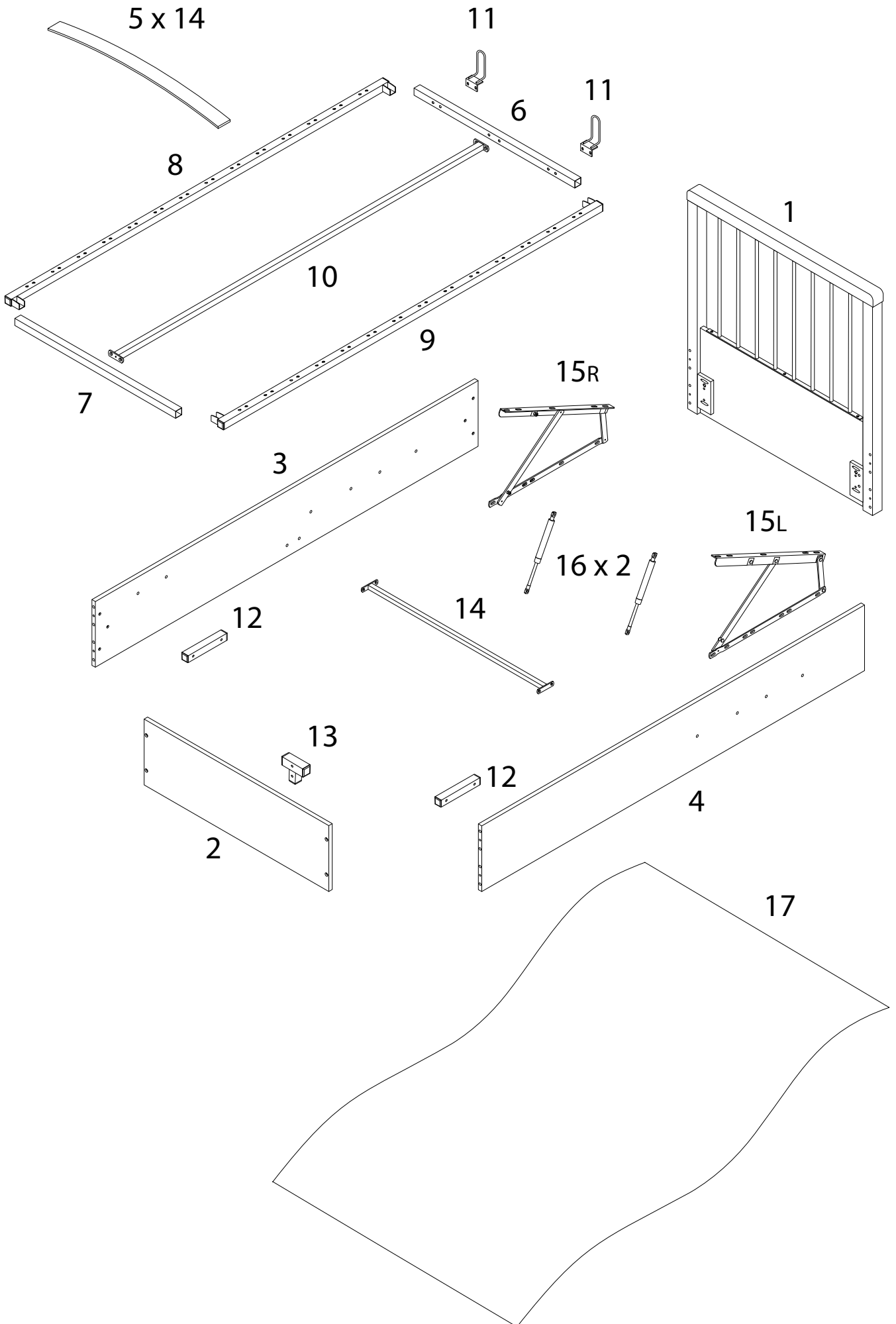


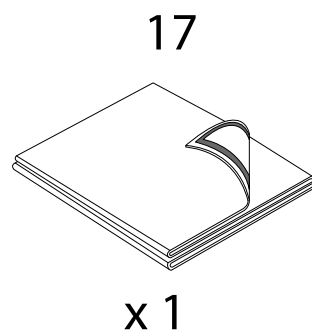
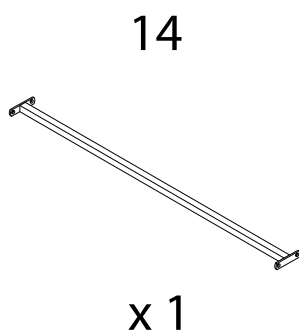
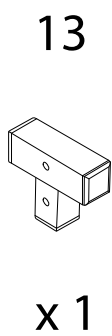
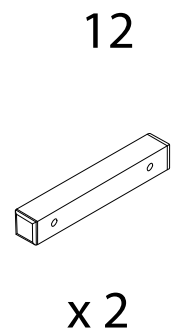
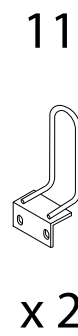
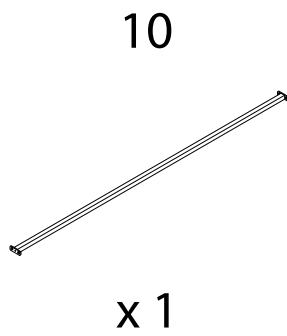
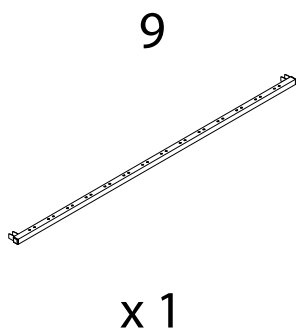
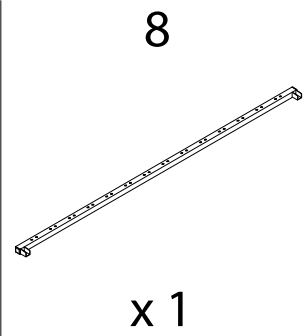
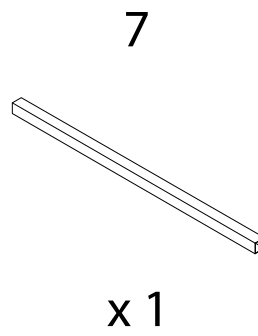
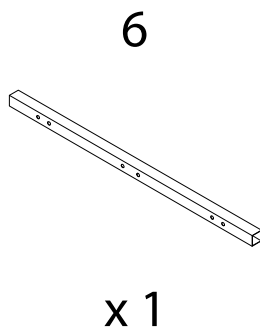
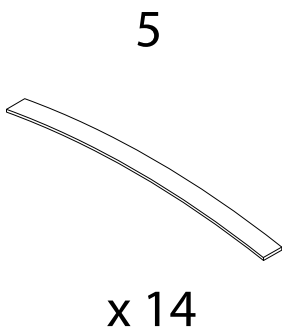
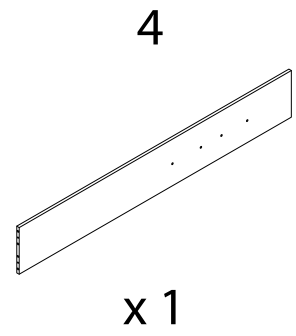
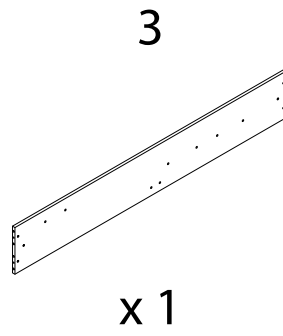
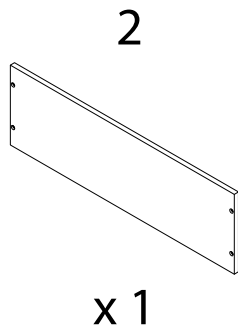
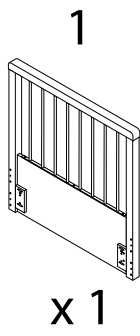
ROUVILLERS

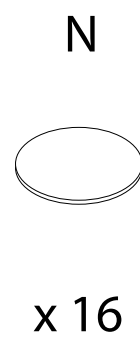
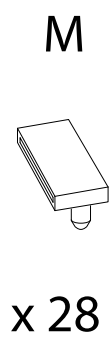
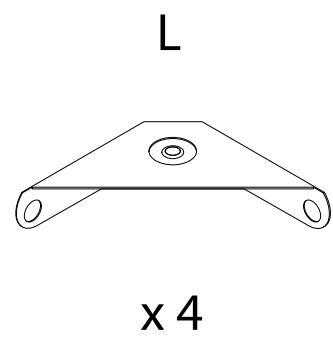
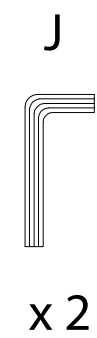
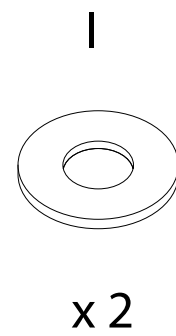
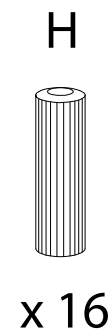
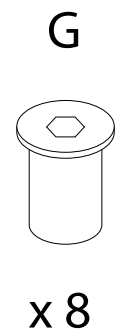
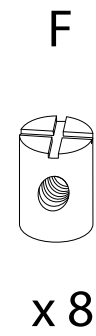
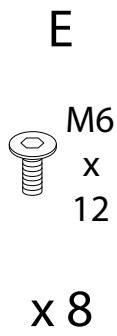
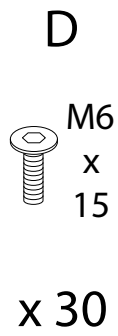
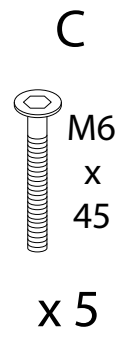
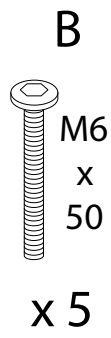
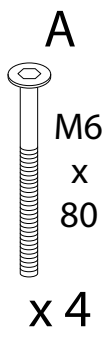




		
		<p>60'</p>
		
		<p>2</p>







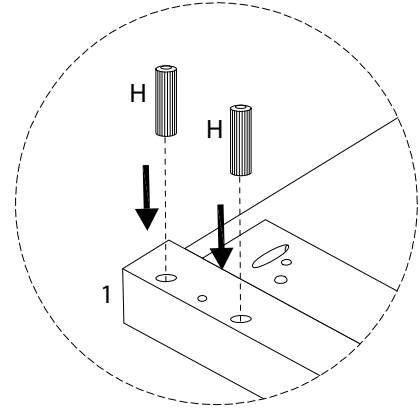
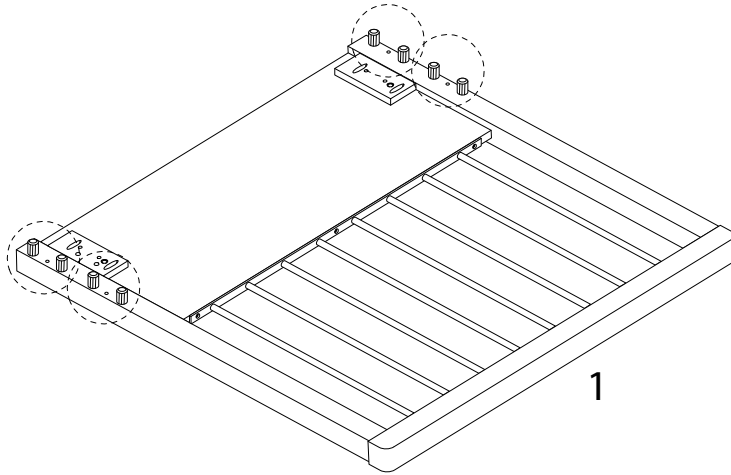
1



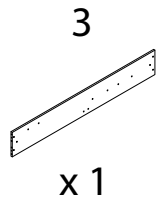
x 1



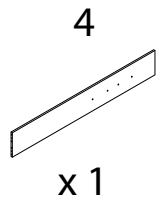
x 8



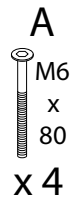
2



x 1



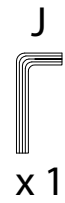
x 1



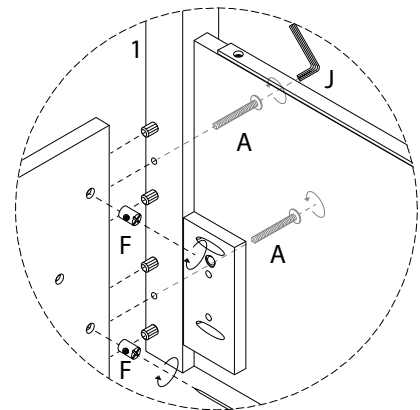
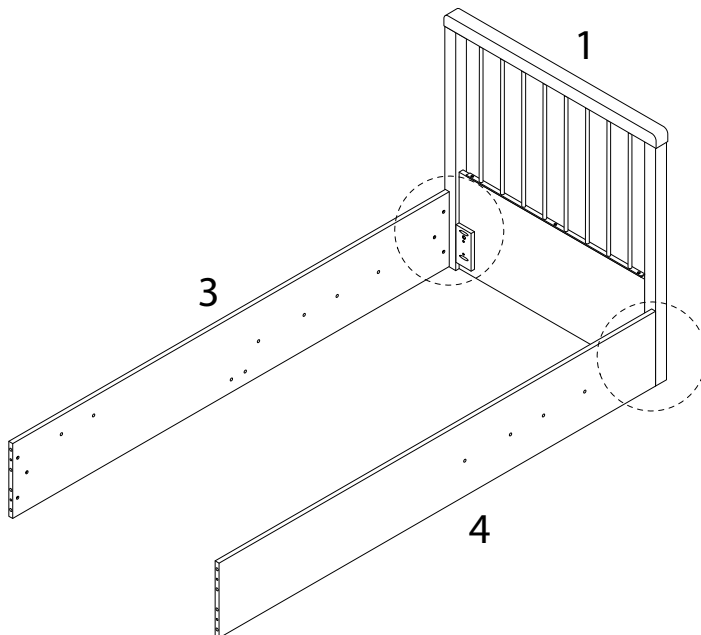
x 4



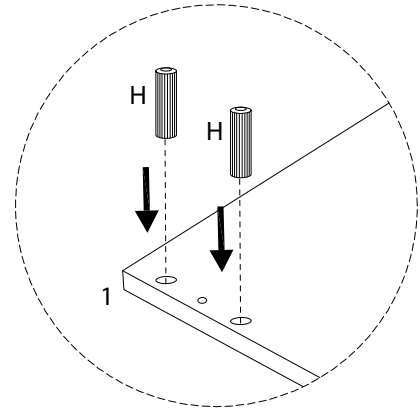
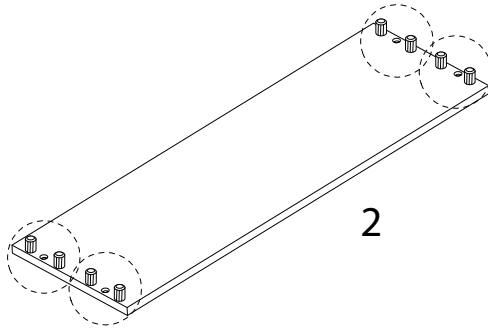
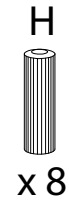
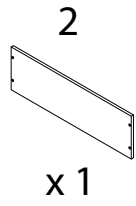
x 4



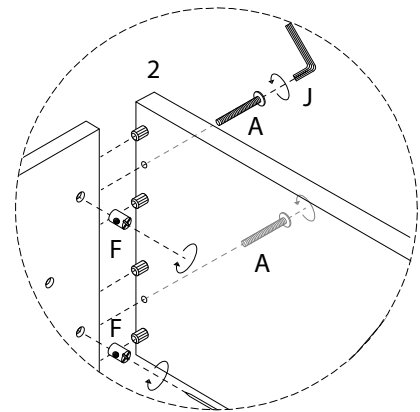
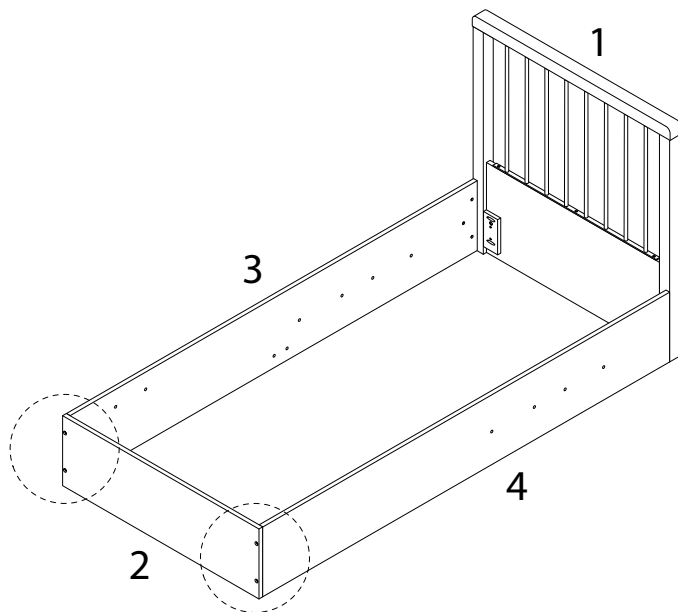
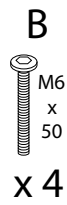
x 1



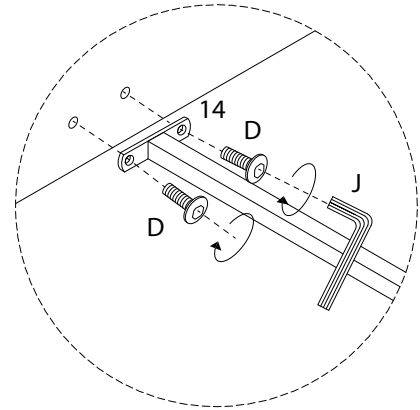
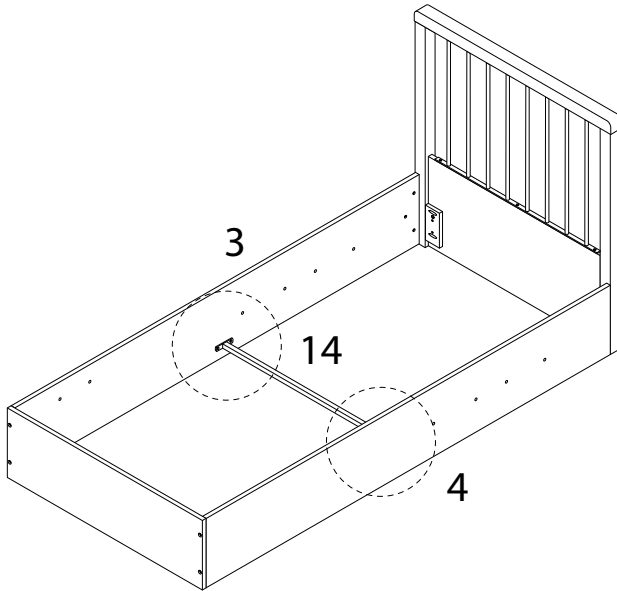
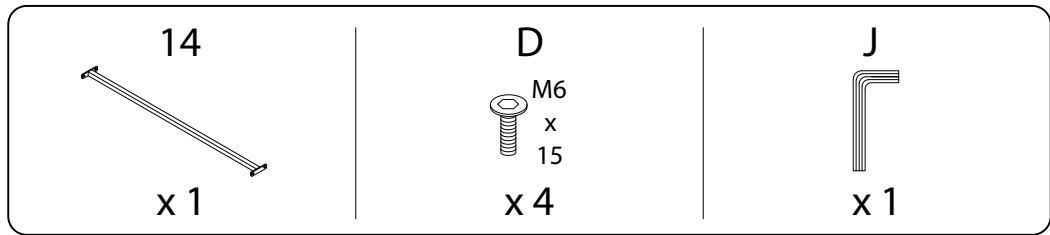
3



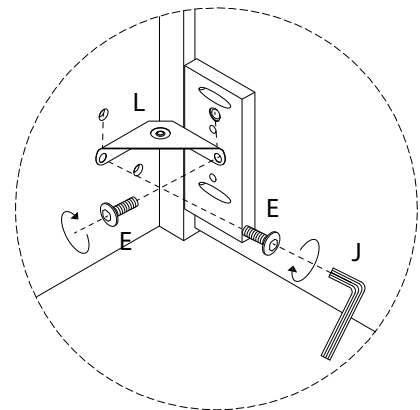
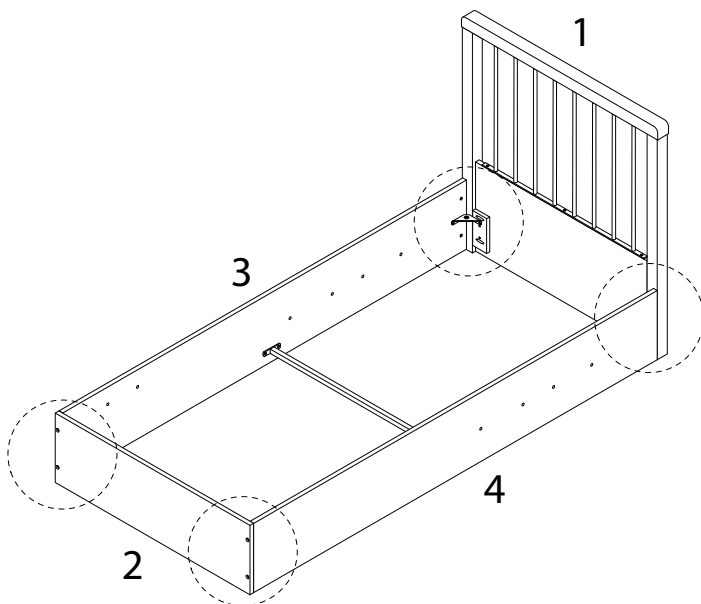
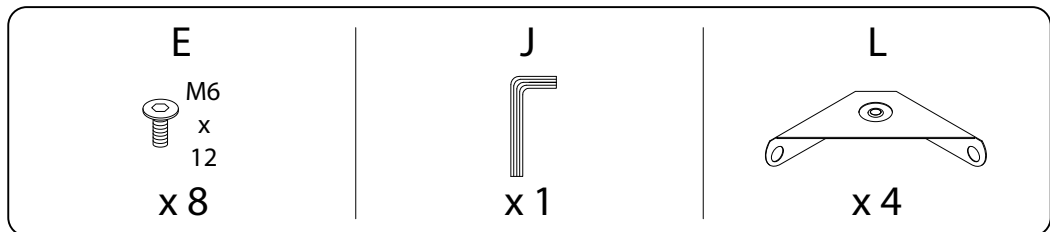
4



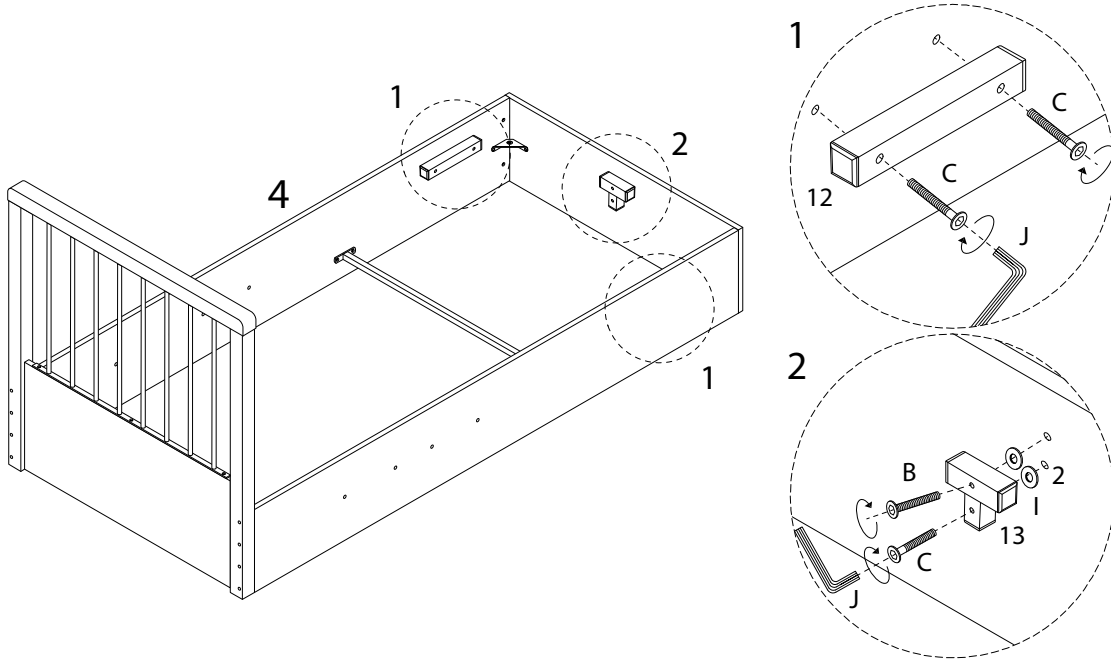
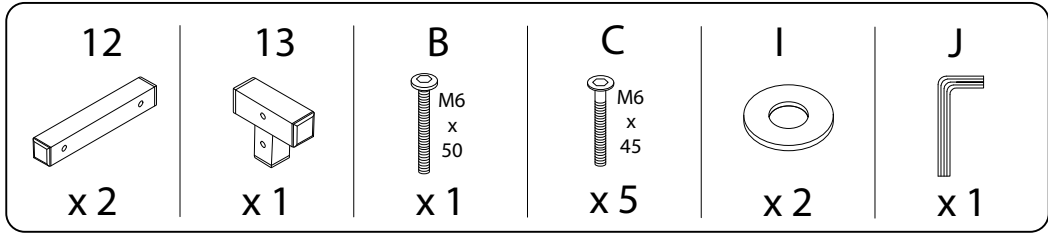
5



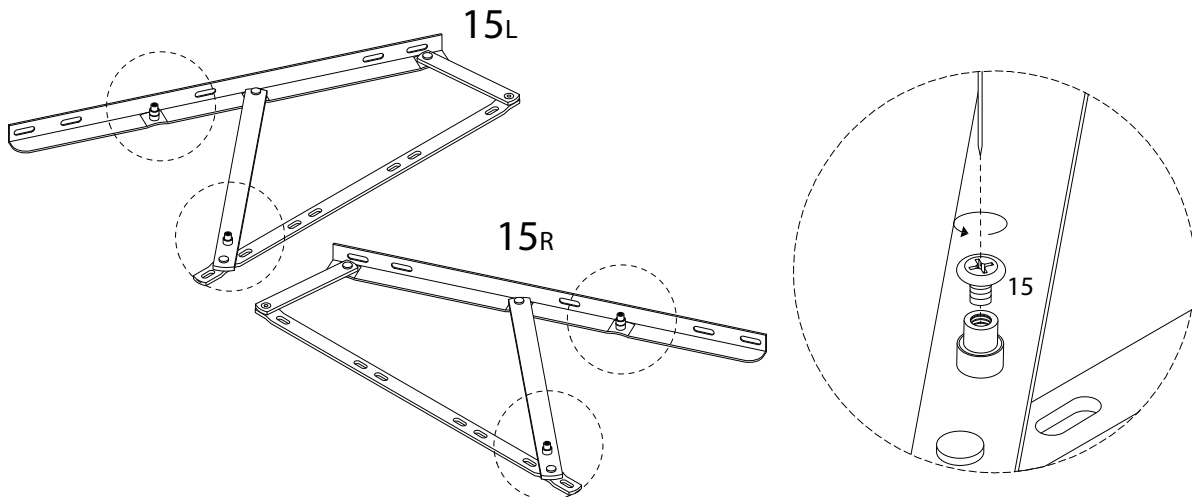
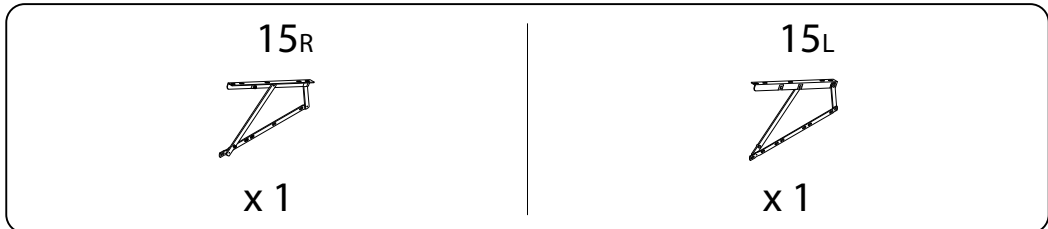
6



7



8



9

15

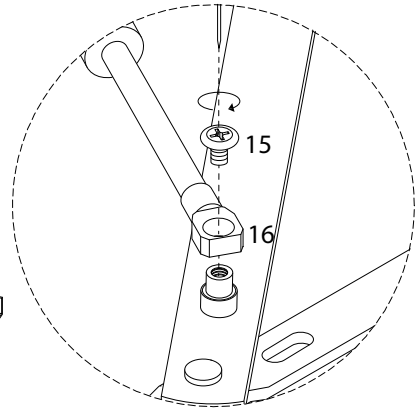
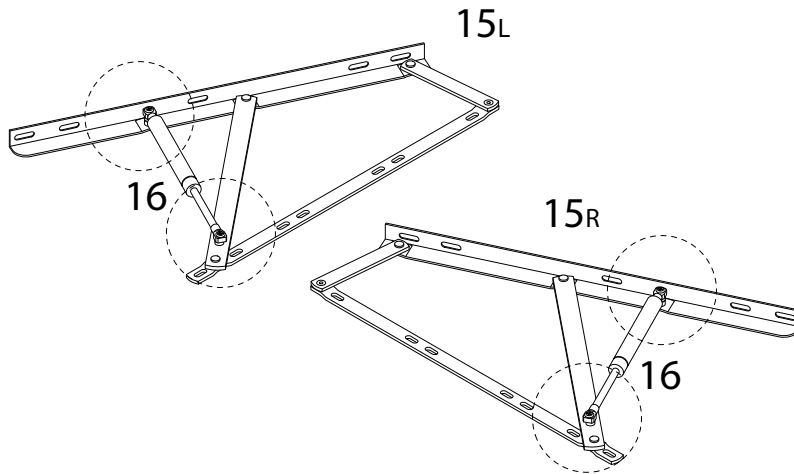


x 4

16



x 2



10

D



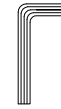
x 8

G

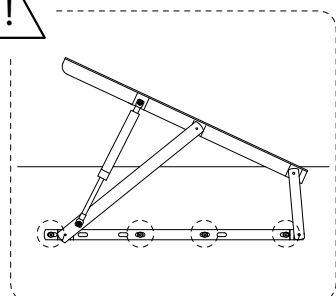
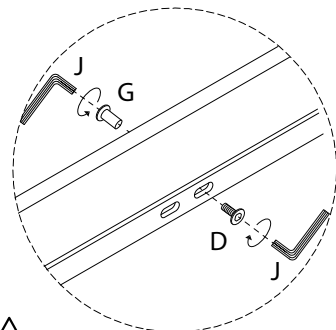
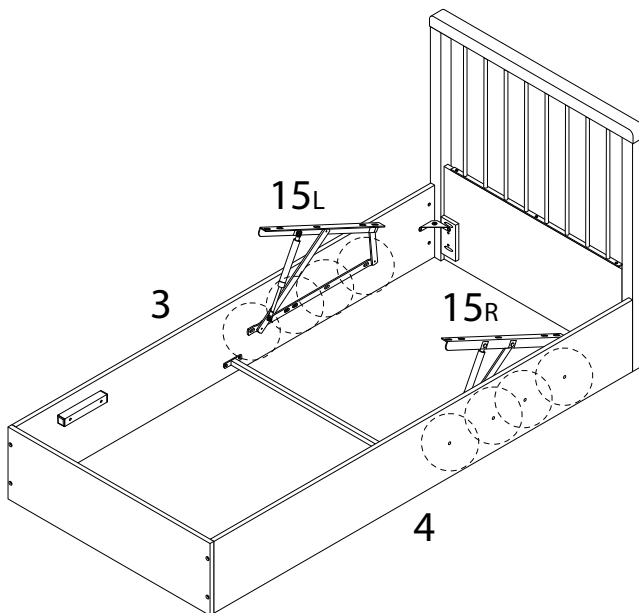


x 8

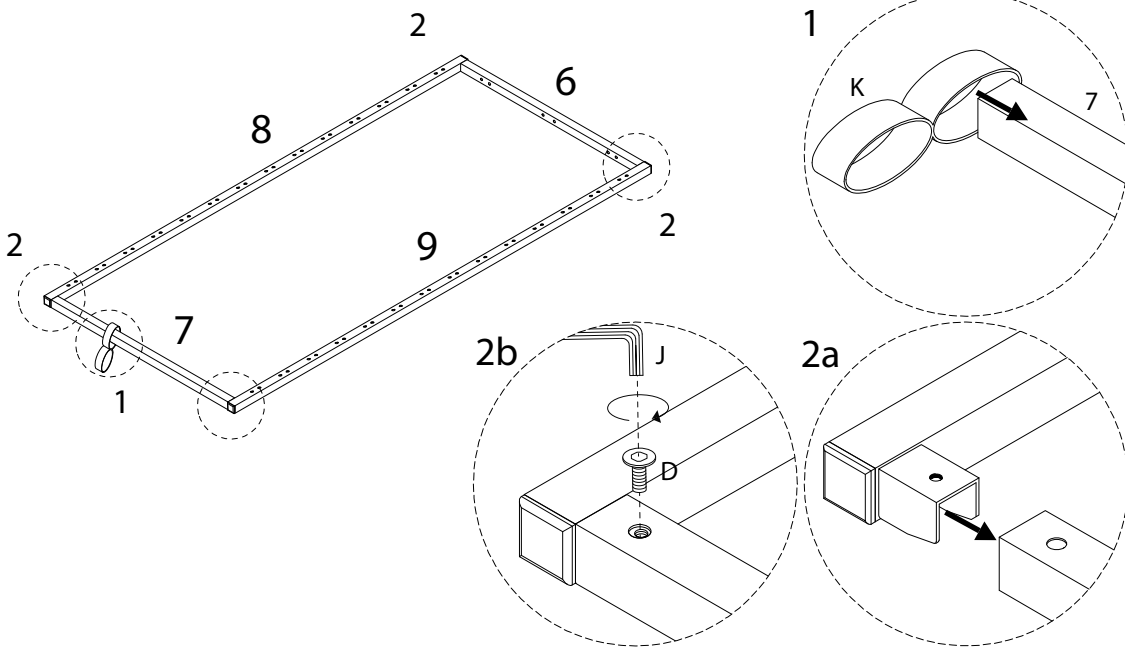
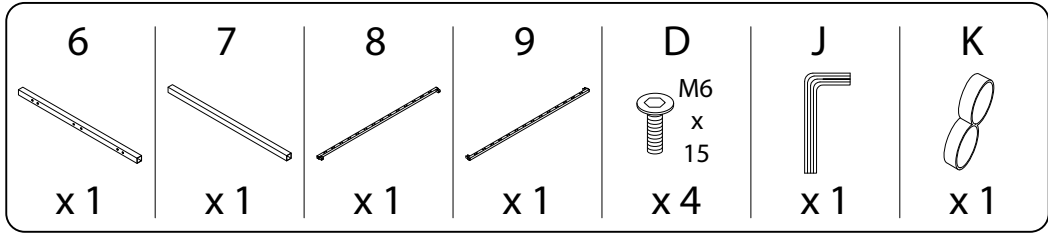
J



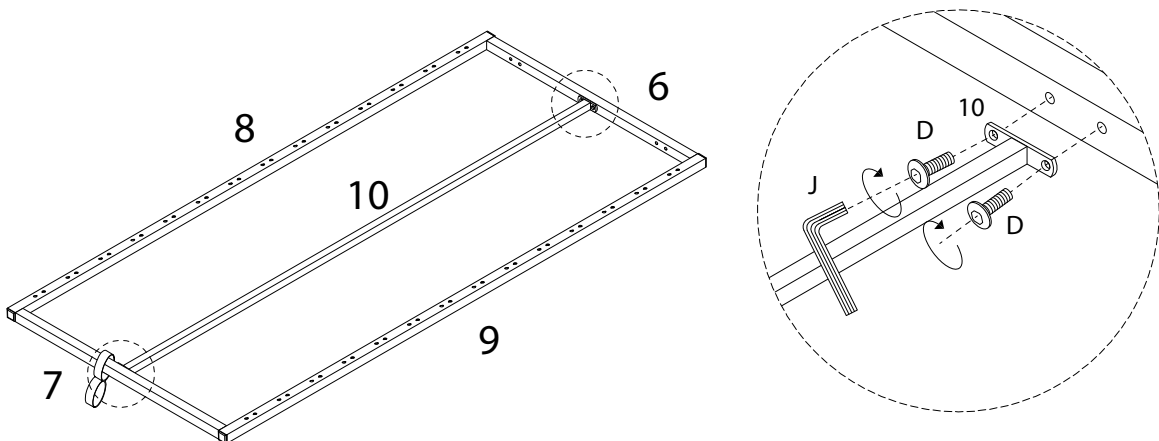
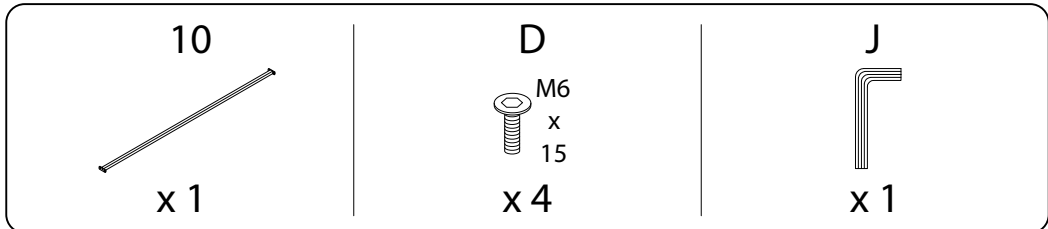
x 2



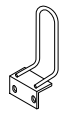
11




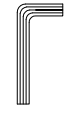
12

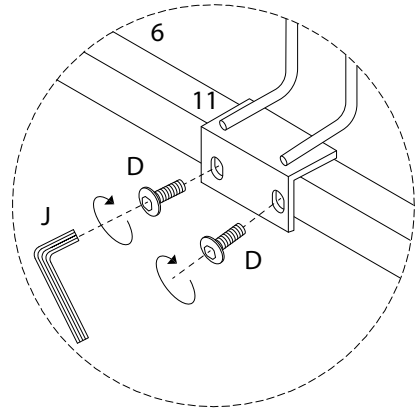
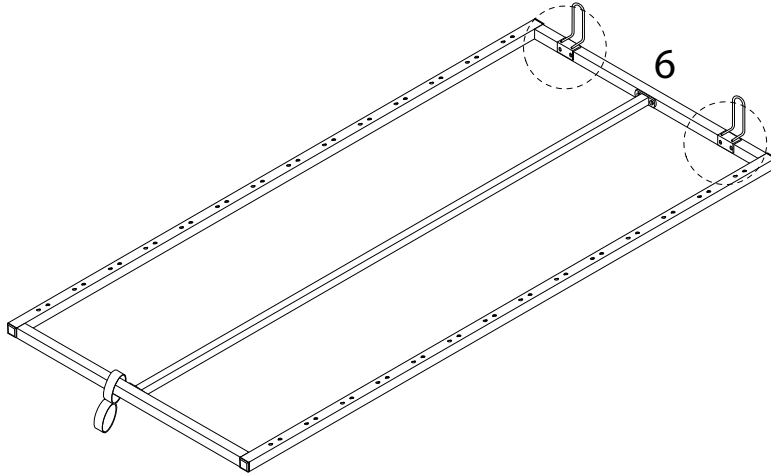


13

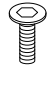
11

x 2

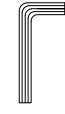
D

M6
x 15
x 4

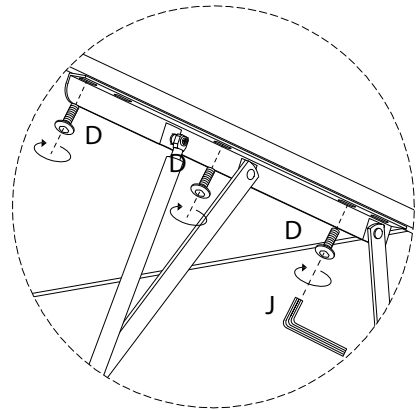
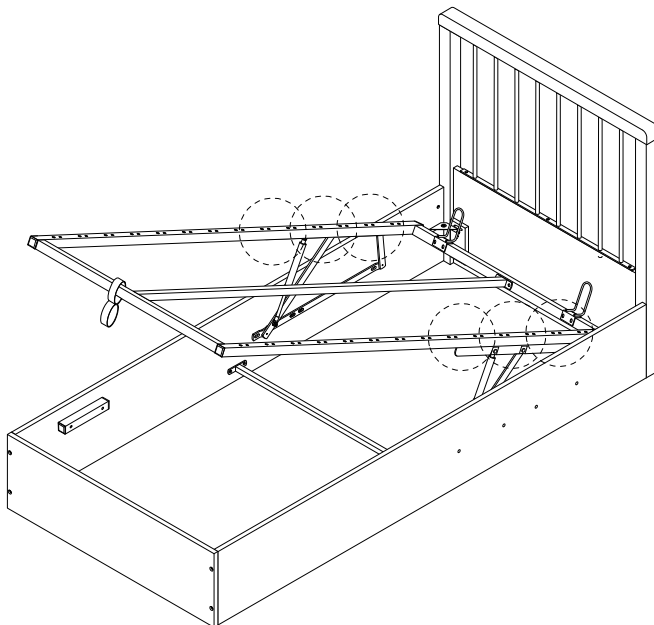
J

x 1



14

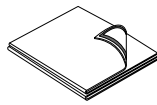
D

M6
x 15
x 6

J

x 1

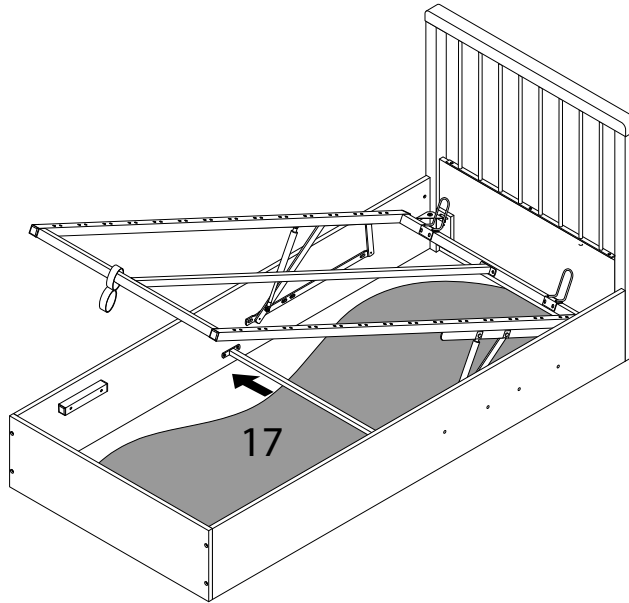


15

17

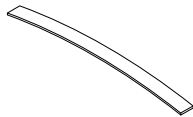


x 1



16

5

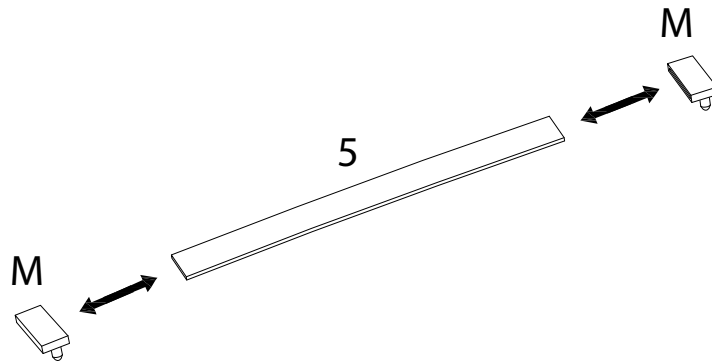


x 14

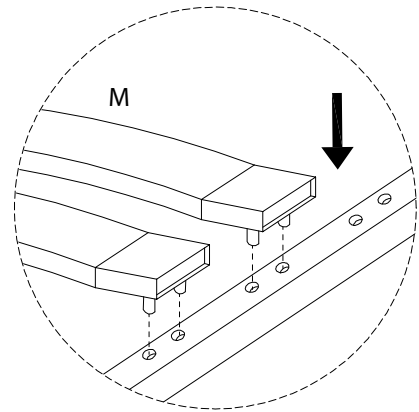
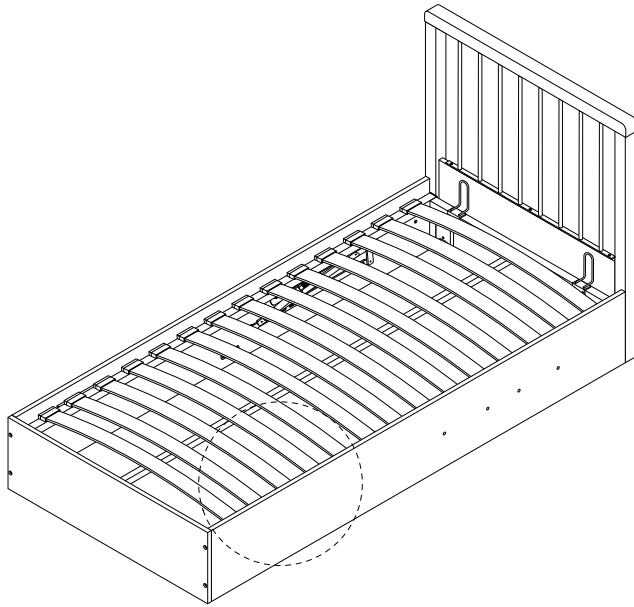
M



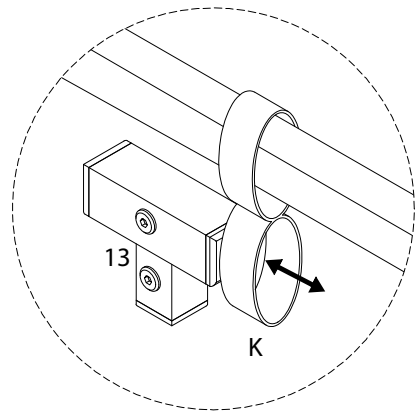
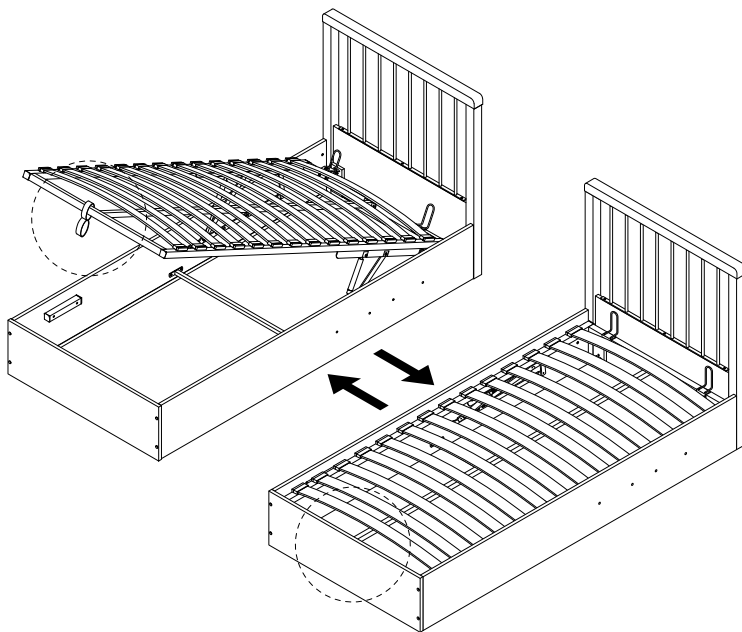
x 28



17



!



18

N



x 16

