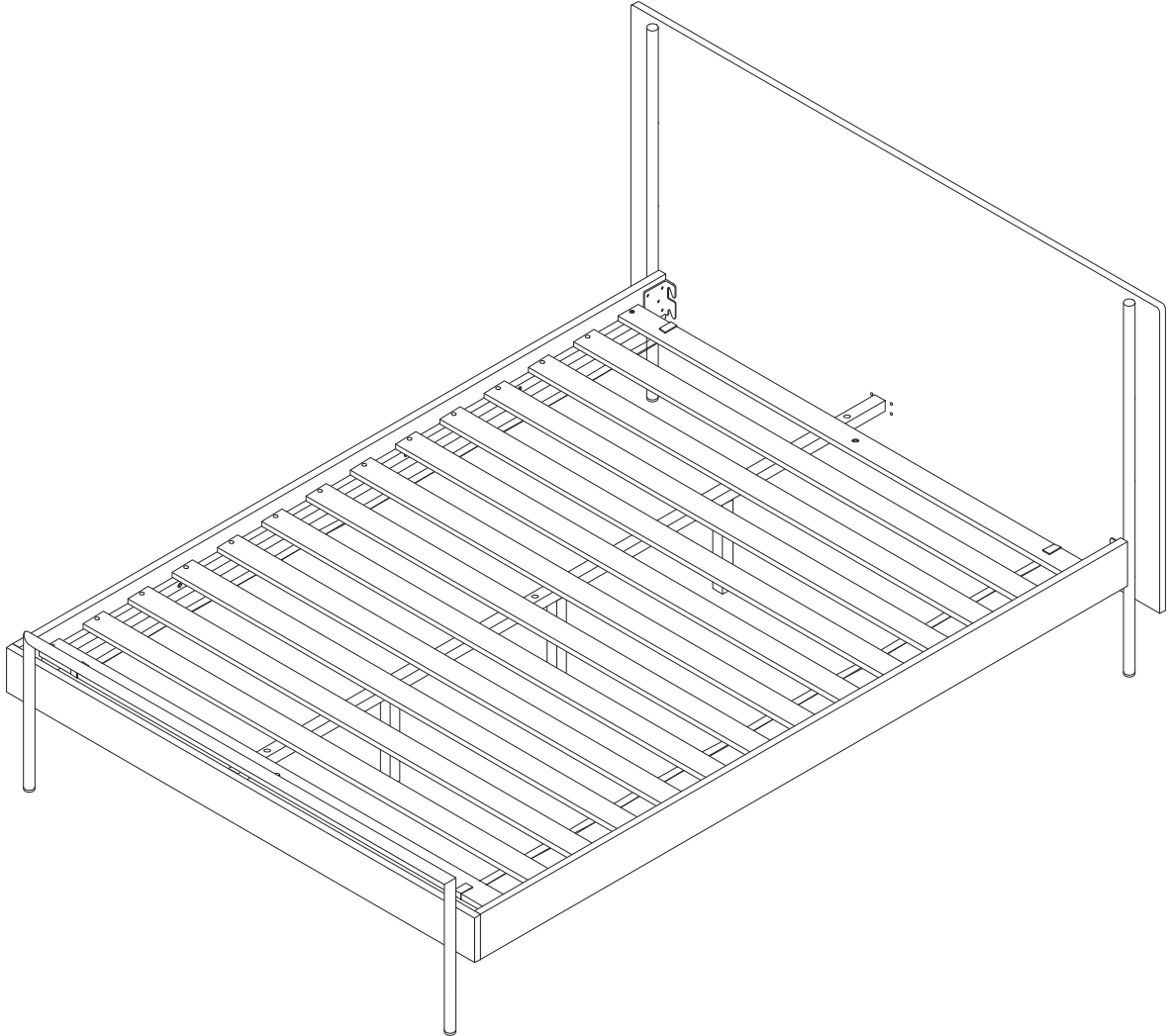
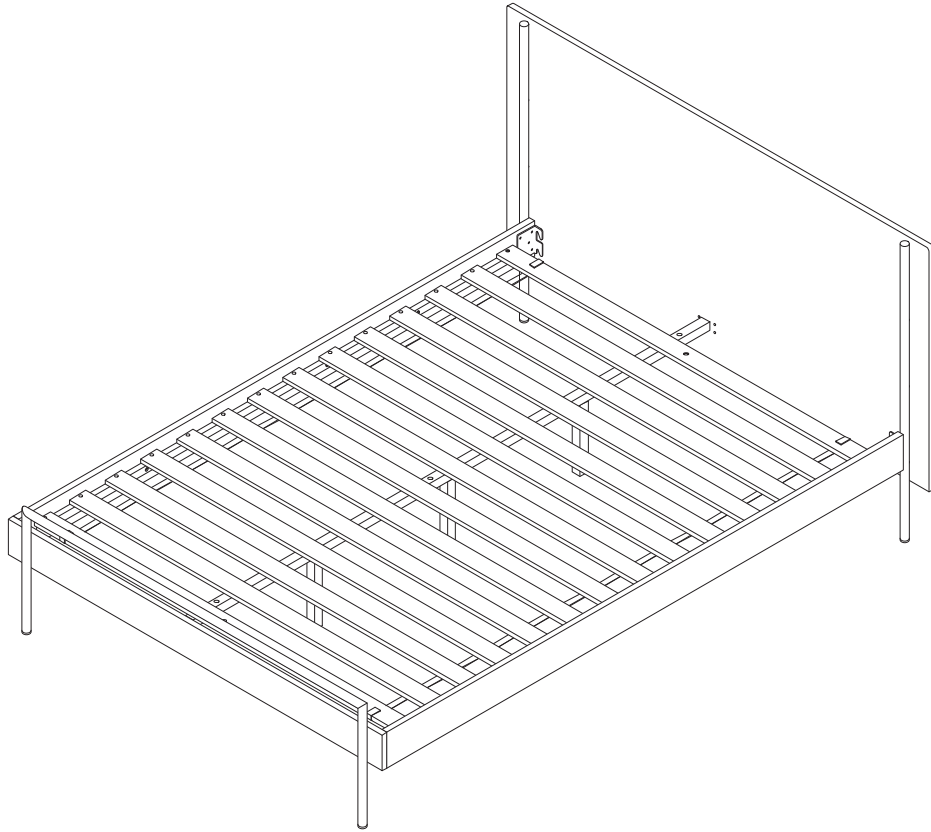


# LIBERMONT

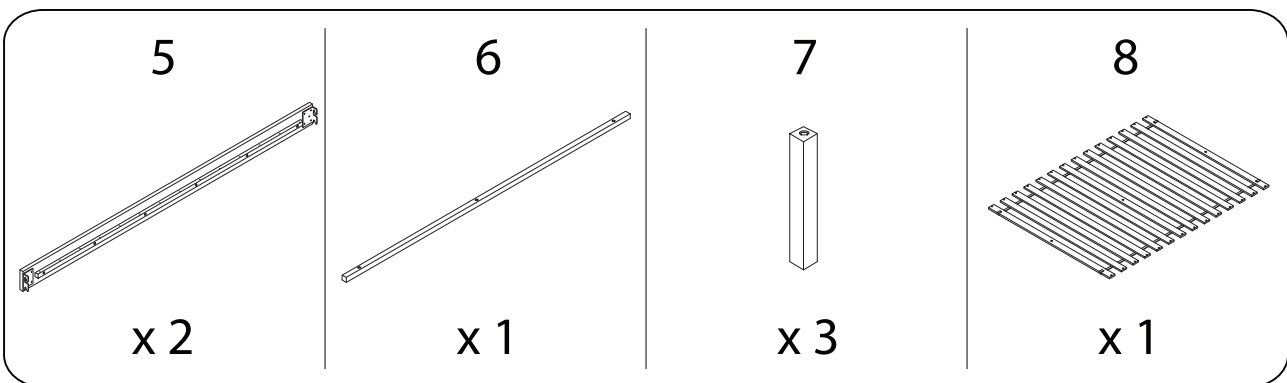
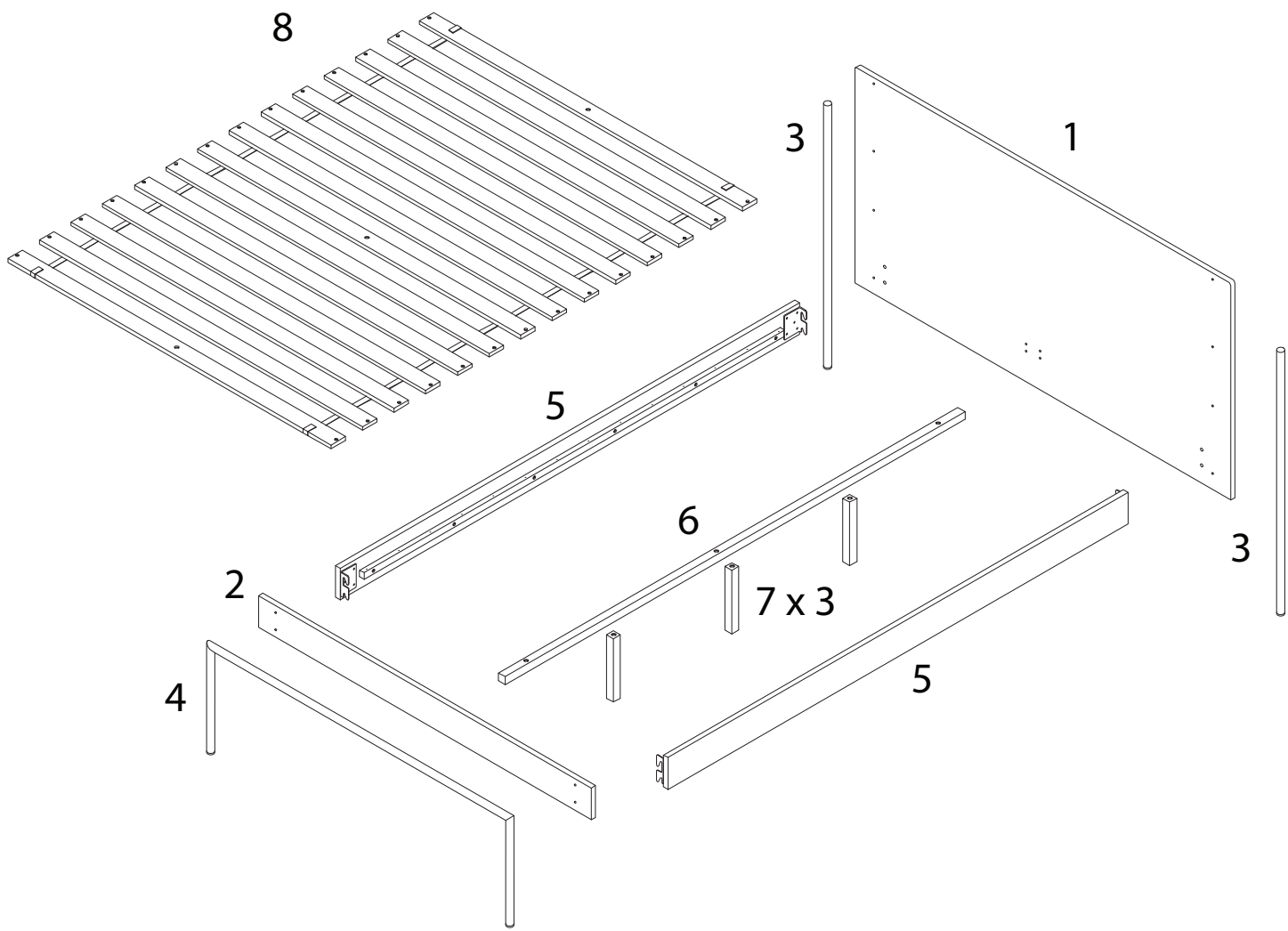
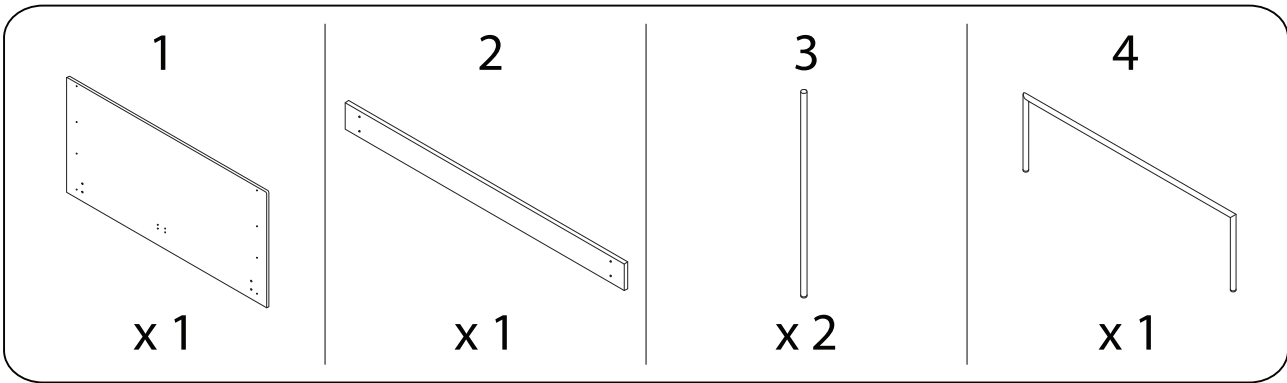




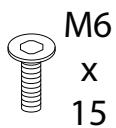
Assembly instructions for step 1/8:

- Tools:** A circle containing a screwdriver and an Allen key. A power drill is shown with a diagonal line through it, indicating it should not be used.
- Warning:** A triangle with an exclamation mark.
- Time:** A clock icon with the text "30'" below it, indicating a 30-minute assembly time.
- Personnel:** A stick figure icon with the number "2" below it, indicating that two people are required for assembly.

1/8



A



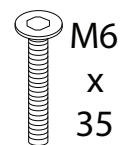
x 8

B



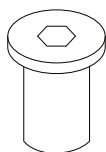
x 3

C



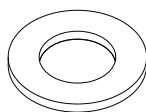
x 12

D



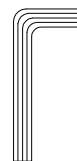
x 4

E



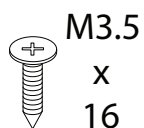
x 8

F



x 2

G



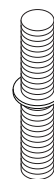
x 12

H



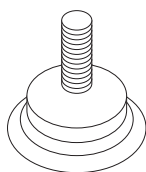
x 28

I



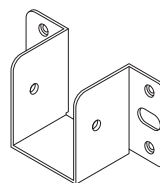
x 3

J



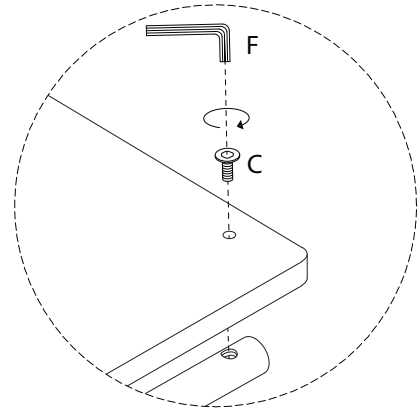
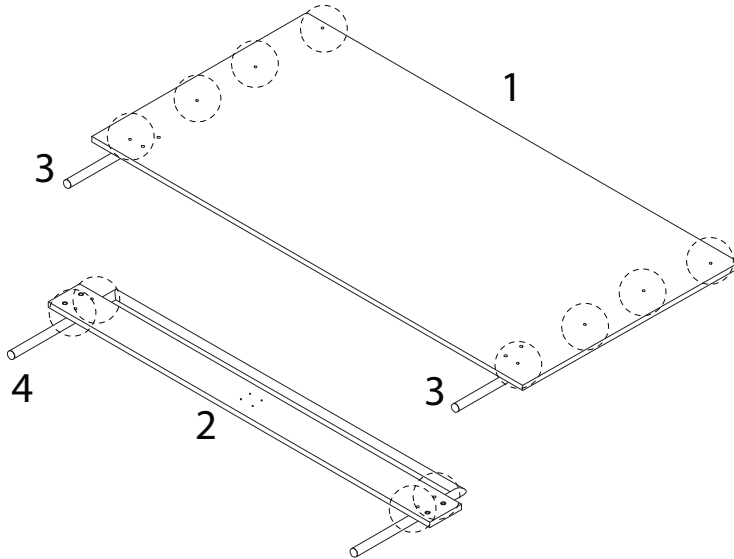
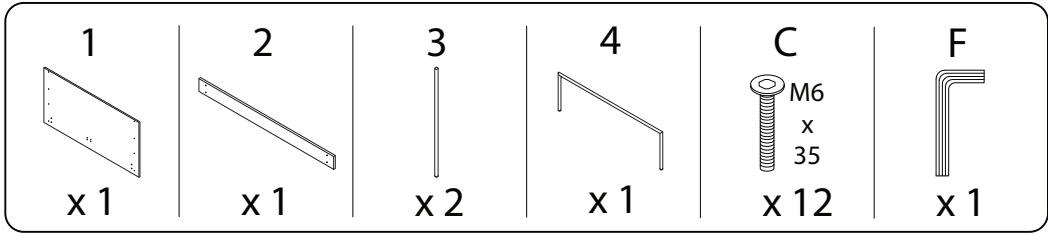
x 3

K

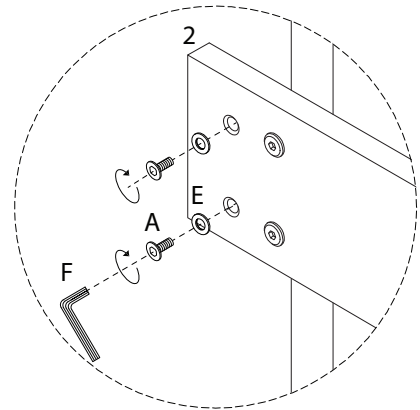
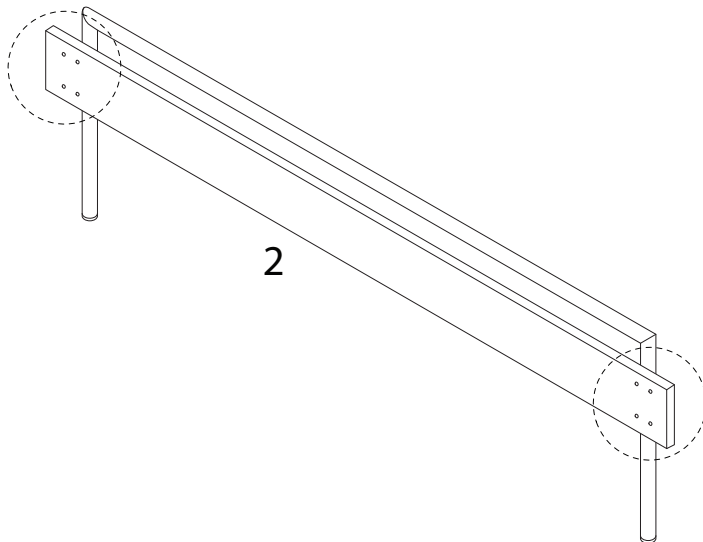
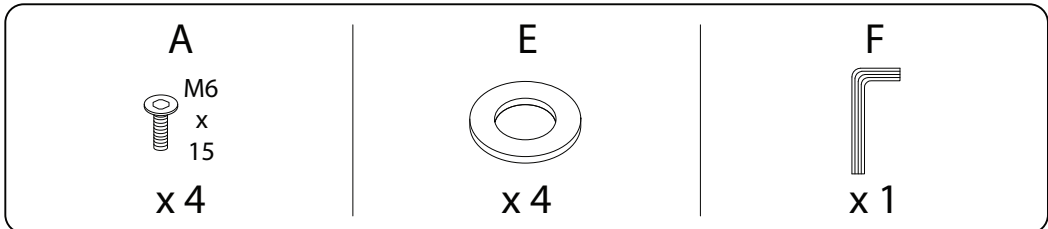


x 2

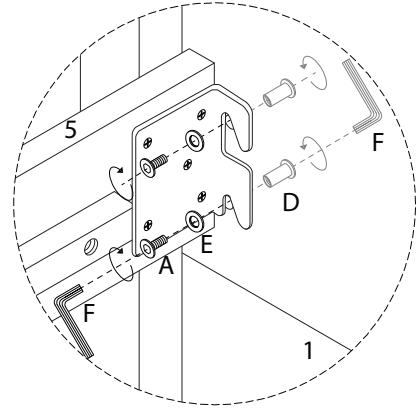
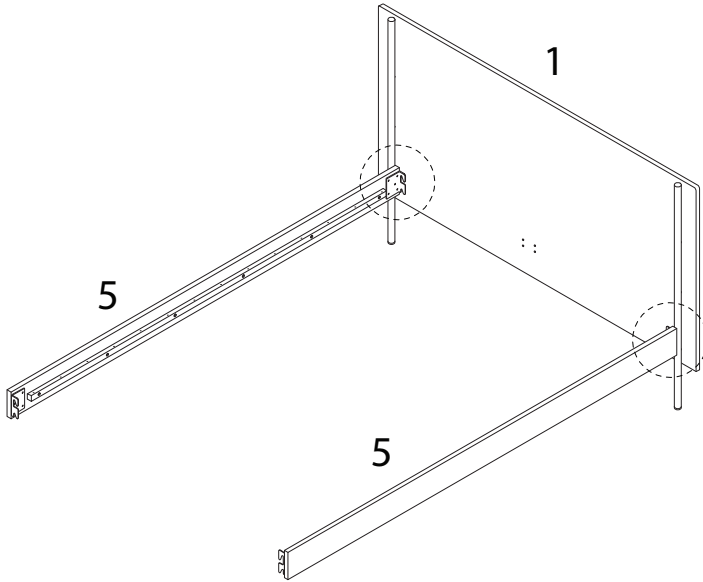
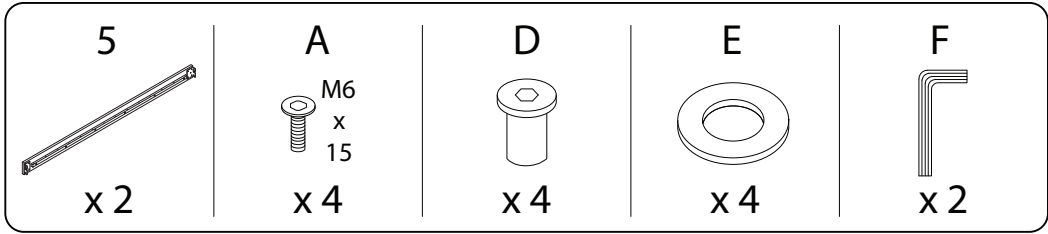
1



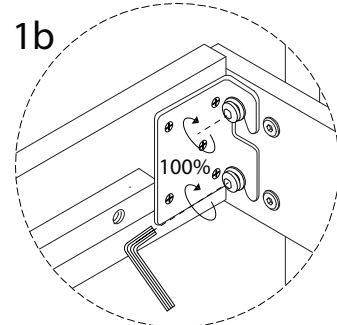
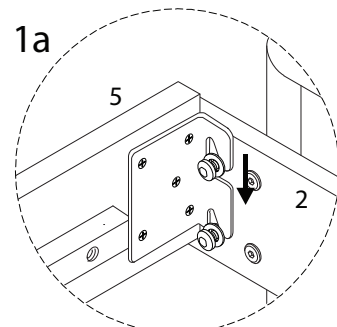
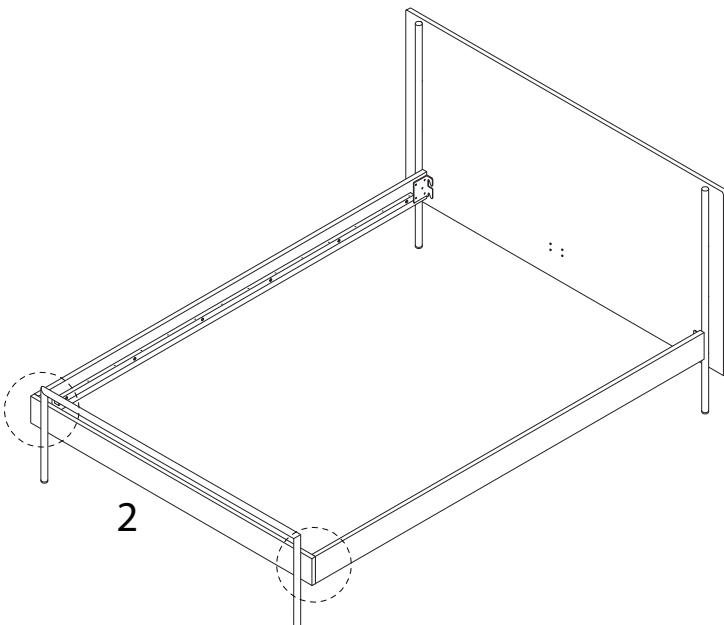
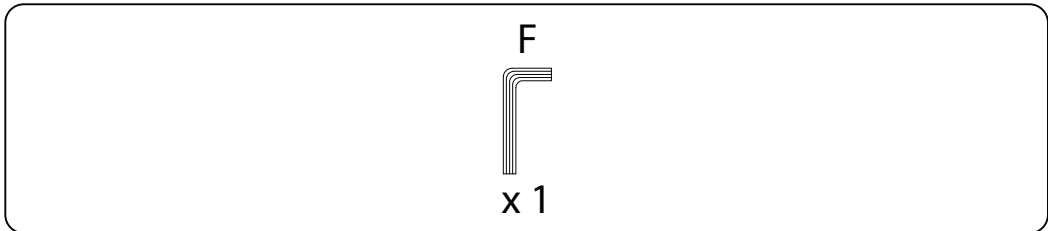
2



3

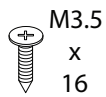


4



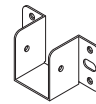
5

G

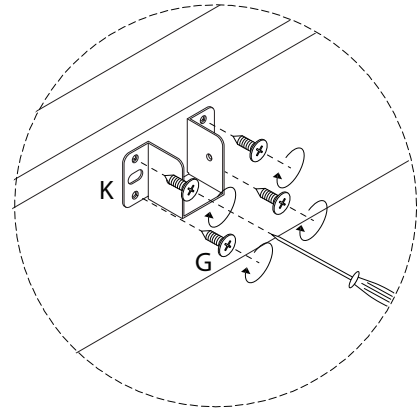
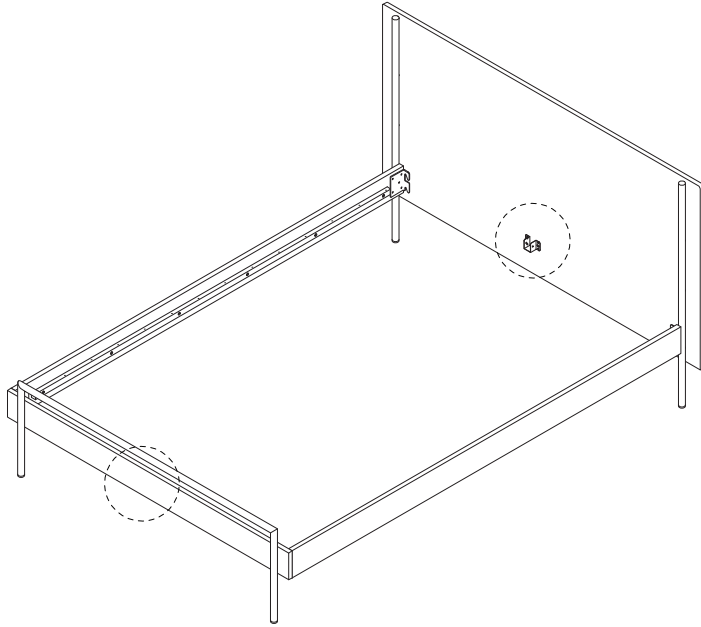


x 8

K

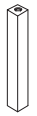


x 2



6 x 3

7



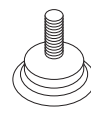
x 1

I

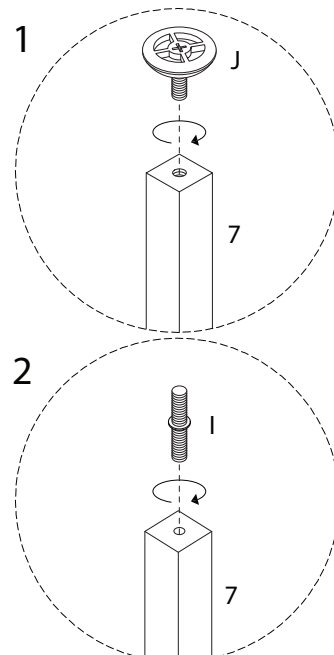
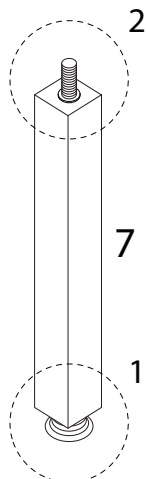


x 1

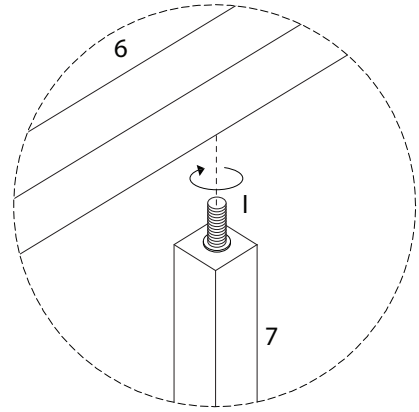
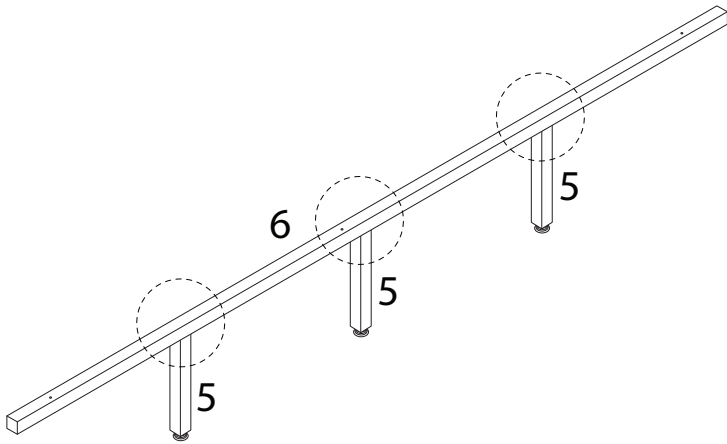
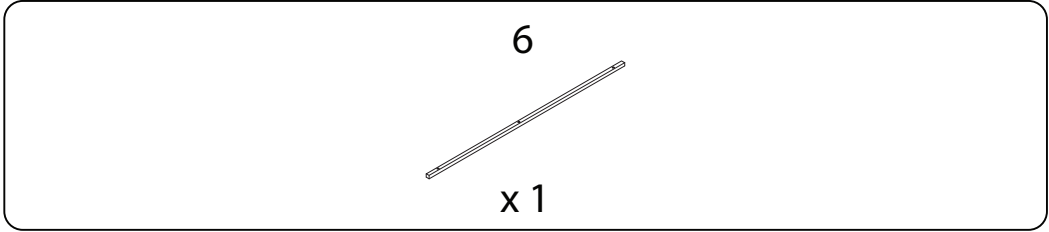
J



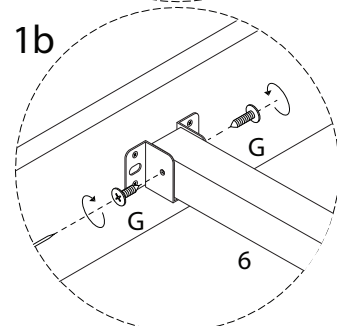
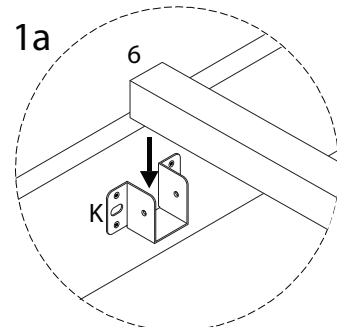
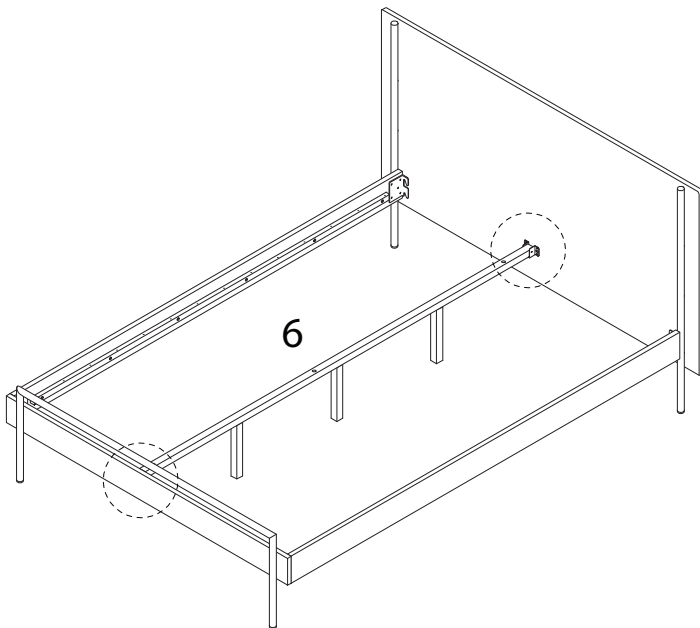
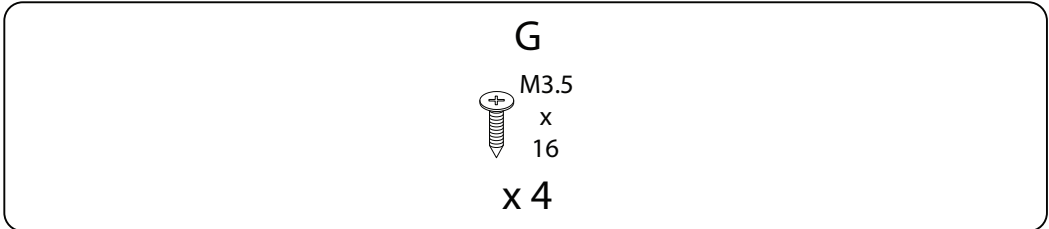
x 1



7

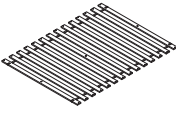

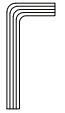



8





9

<p>8</p>  <p>x 1</p>	<p>B</p>  <p>M6 x 25</p> <p>x 3</p>	<p>F</p>  <p>x 1</p>	<p>H</p>  <p>M4 x 25</p> <p>x 28</p>
-------------------------------------------------------------------------------------------------------	------------------------------------------------------------------------------------------------------------------------------	--------------------------------------------------------------------------------------------------------	---------------------------------------------------------------------------------------------------------------------------------

