

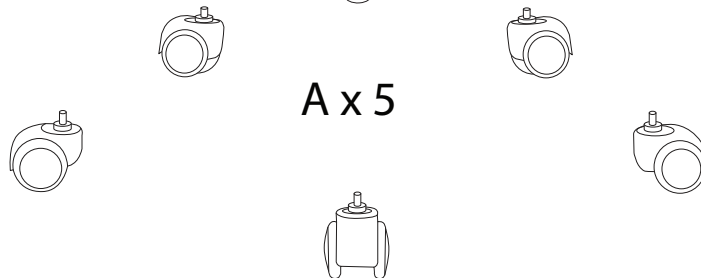
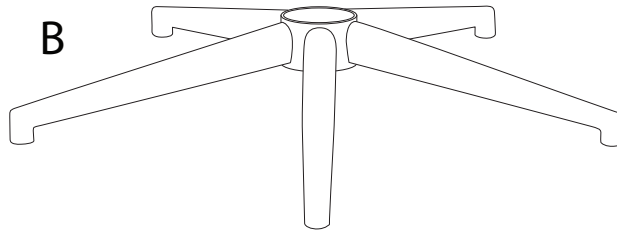
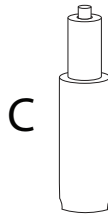
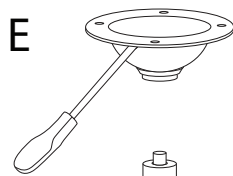
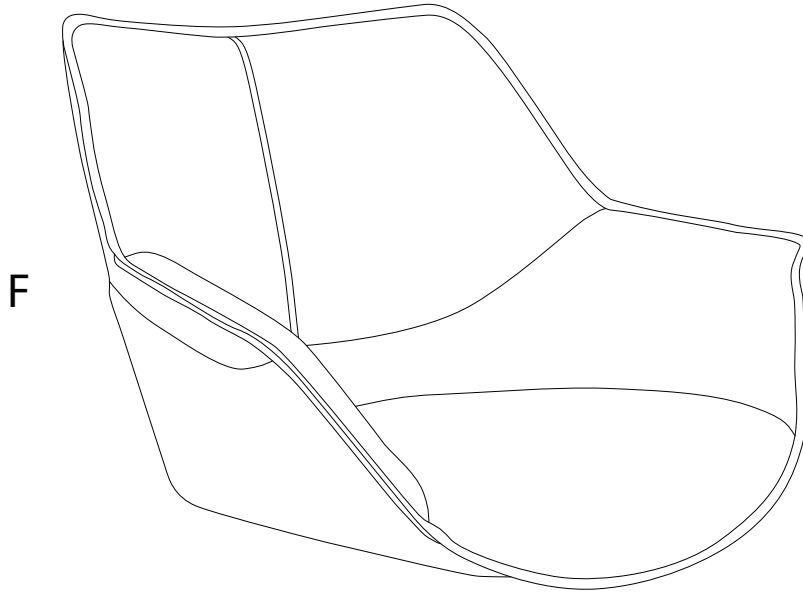
# NEWDALE



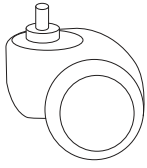


Assembly instructions for the chair base:

- Warning 1:** Do not use a power drill. Use an Allen key (shown in a circle) to tighten the base. **Time:** 15'.
- Warning 2:** Do not use a power drill. Use a screwdriver to tighten the base. **Time:** 1 person.

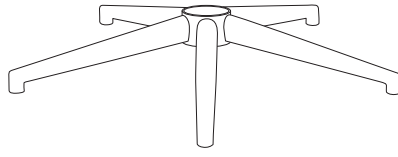


A



x 5

B



x 1

C



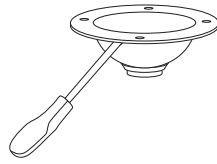
x 1

D



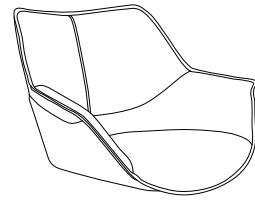
x 1

E



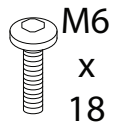
x 1

F



x 1

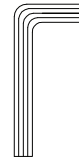
G



M6  
x  
18

x 4

H



x 1

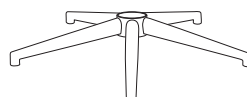
1

A

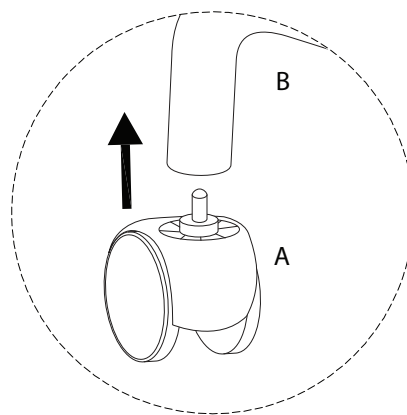
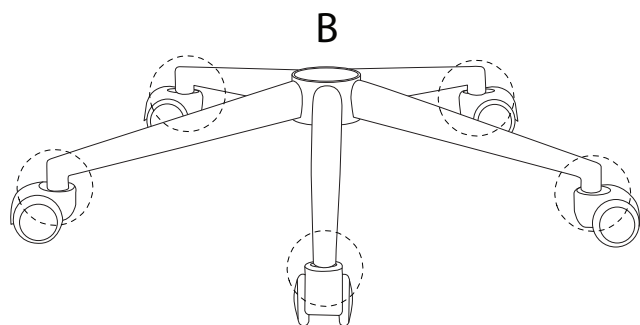


x 5

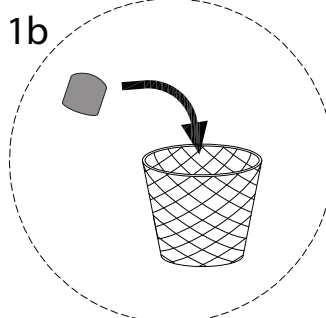
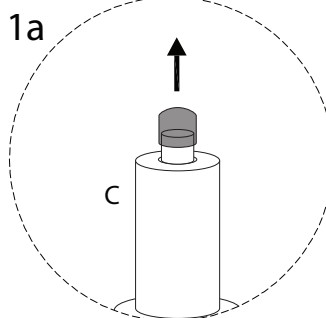
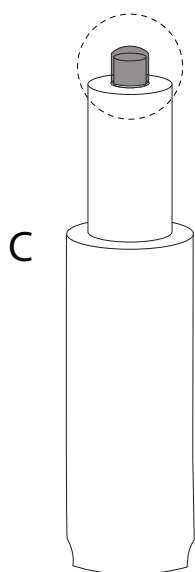
B



x 1



!



2

C

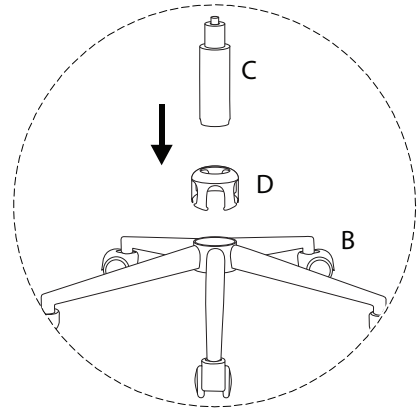
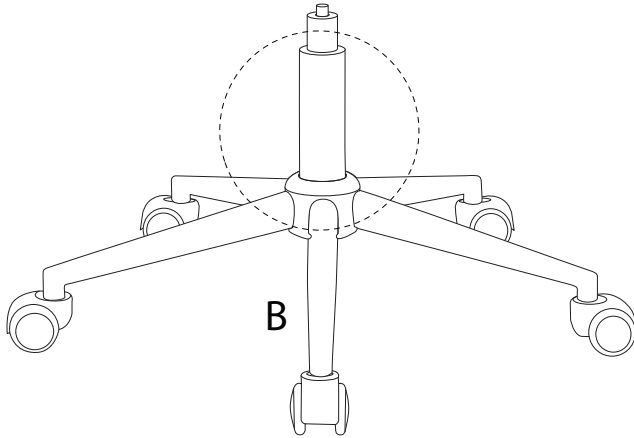


x 1

D



x 1



3

E



x 1

F



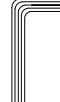
x 1

G

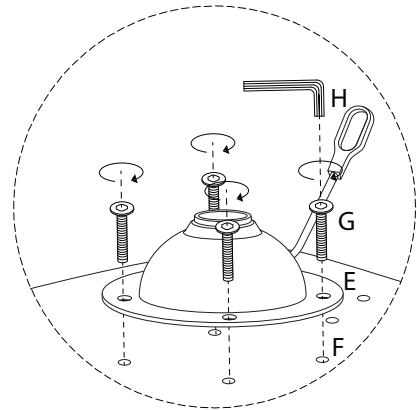
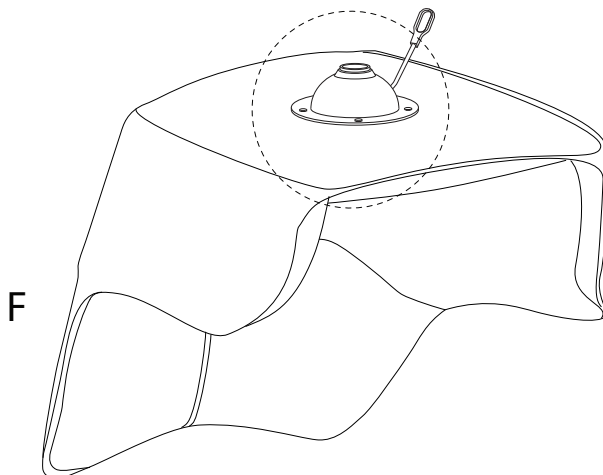


x 4

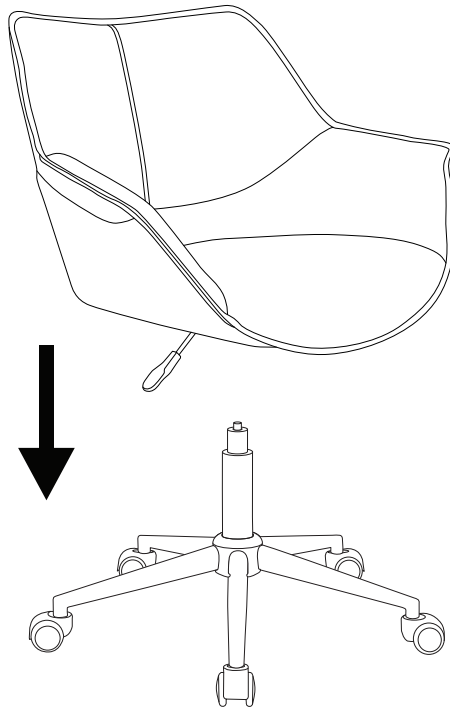
H



x 1



4



!

