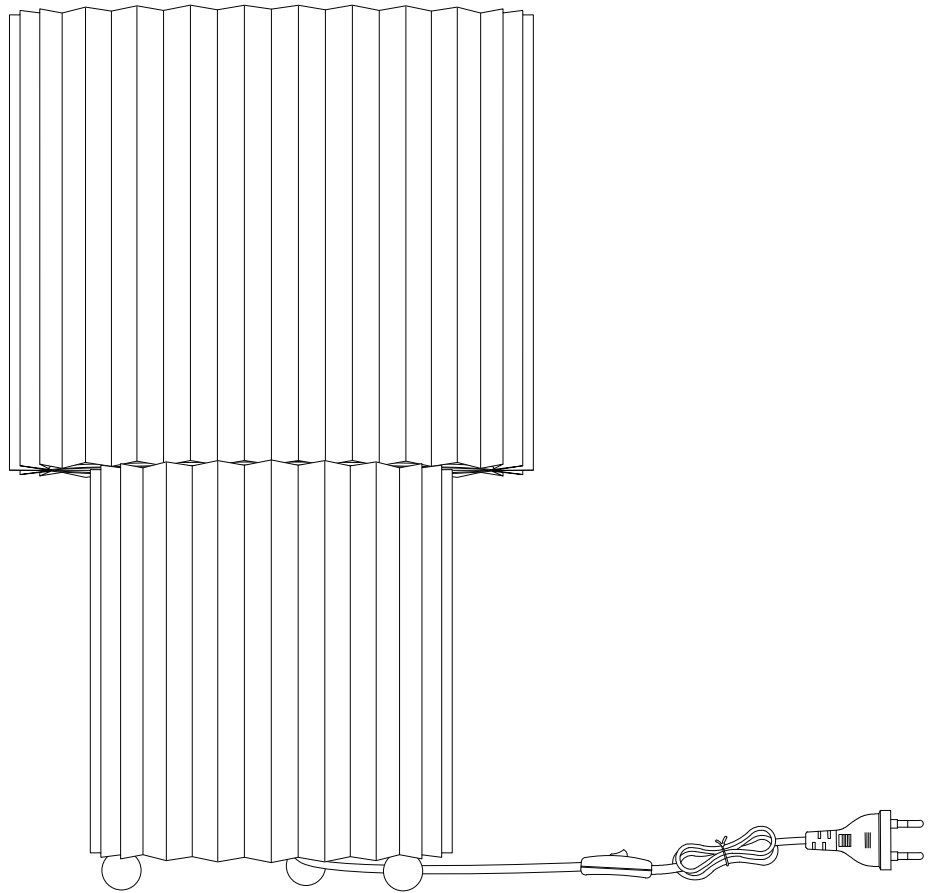
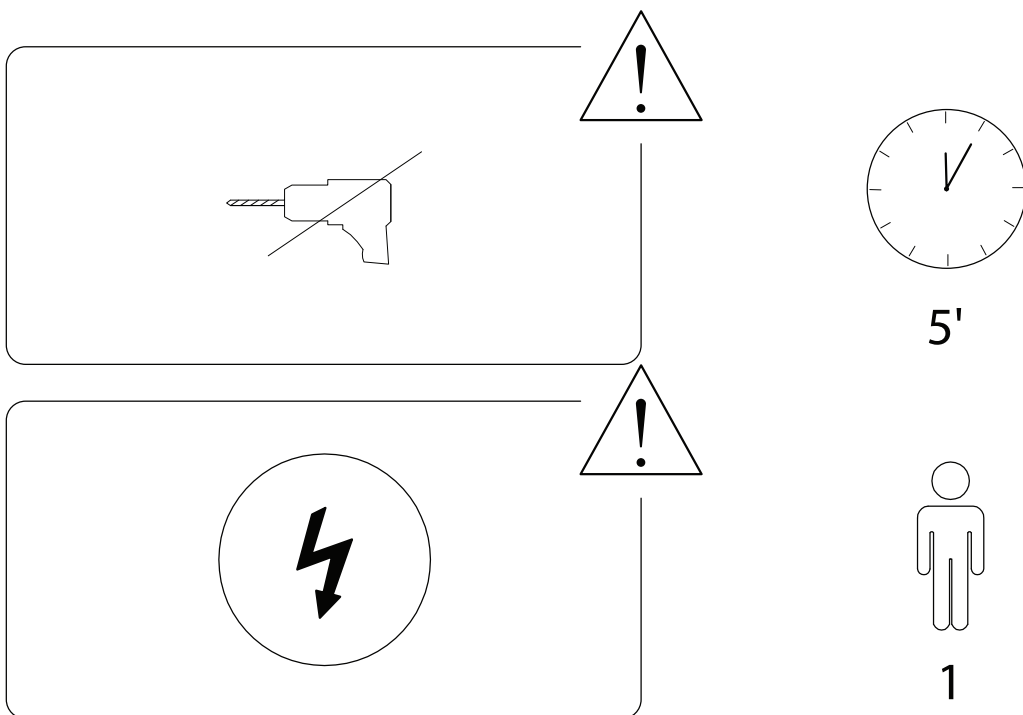
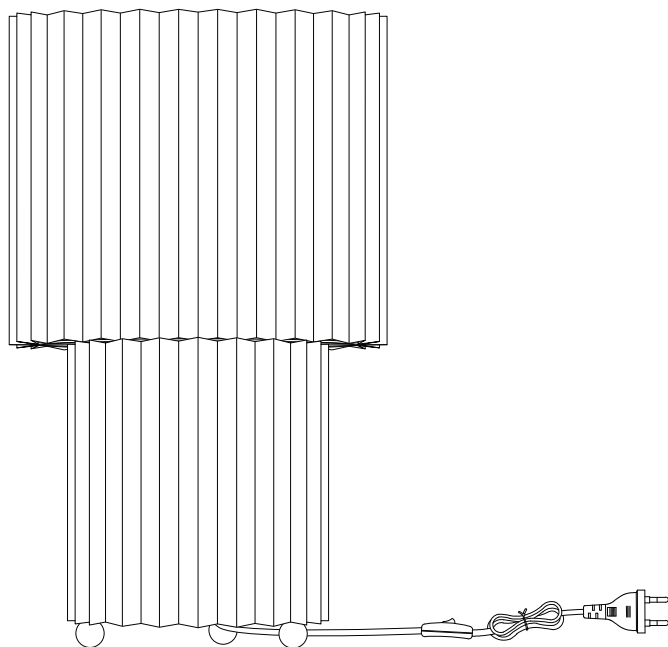
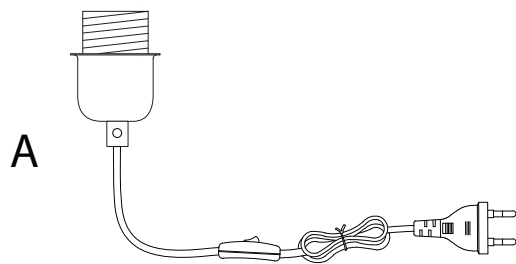
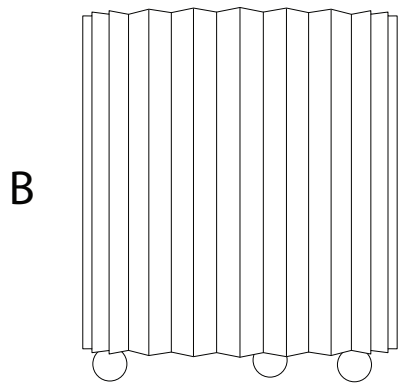
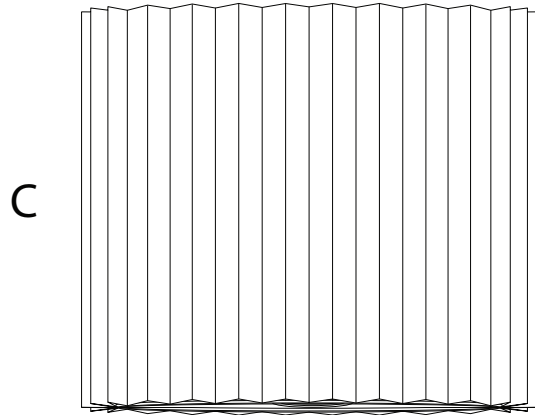
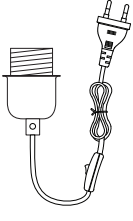
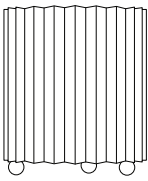
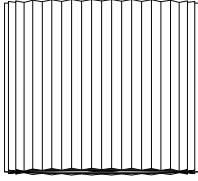
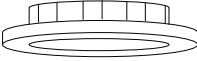



ALFEIOS

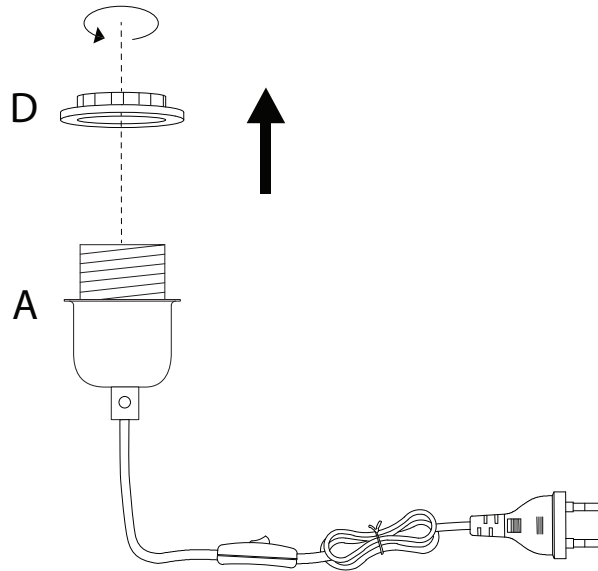






A	B	C	D	E
				
x 1	x 1	x 1	x 1	x 1

!



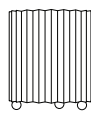
1

A



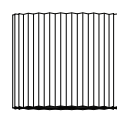
x 1

B



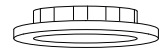
x 1

C

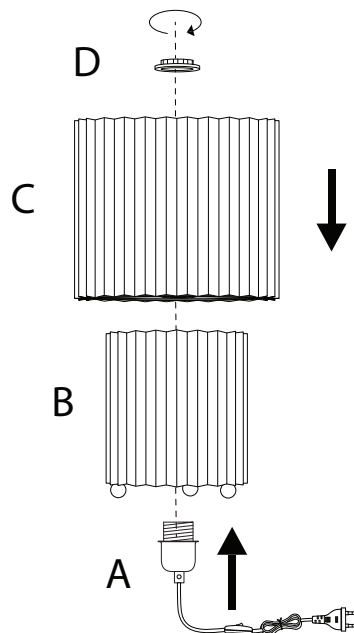


x 1

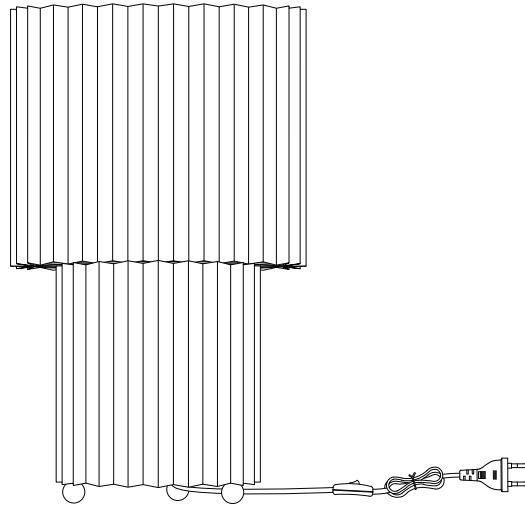
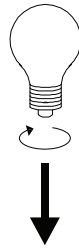
D



x 1



2



3

E



x 1

