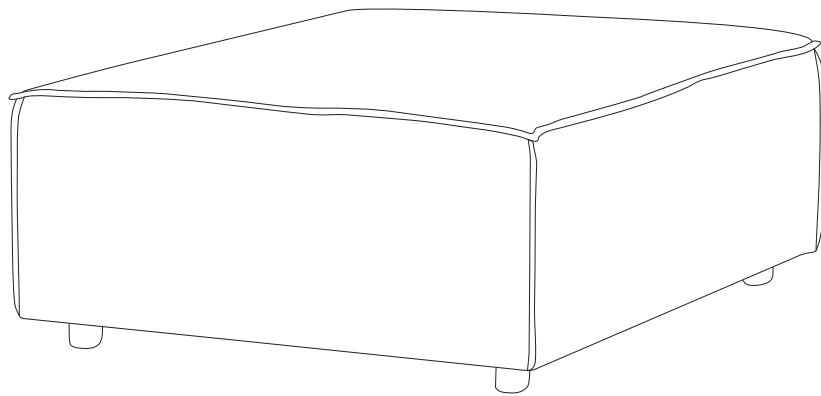


# APRICA



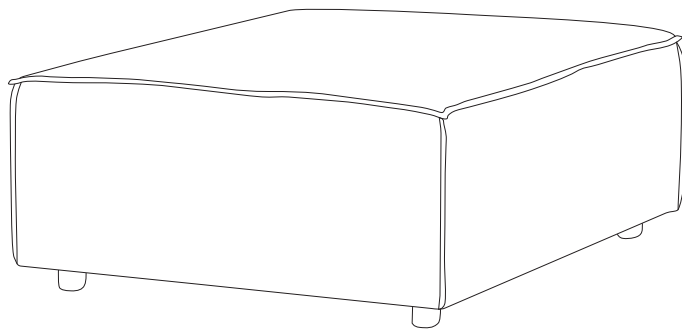
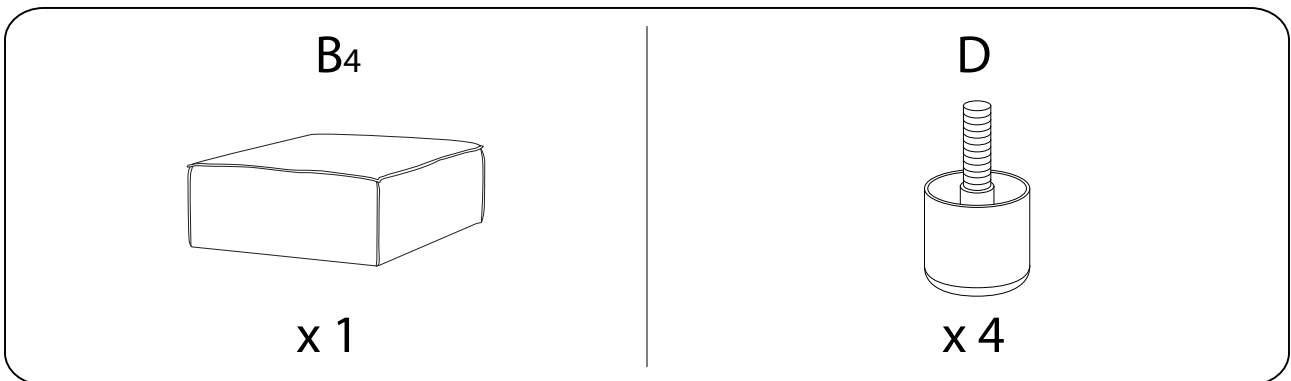
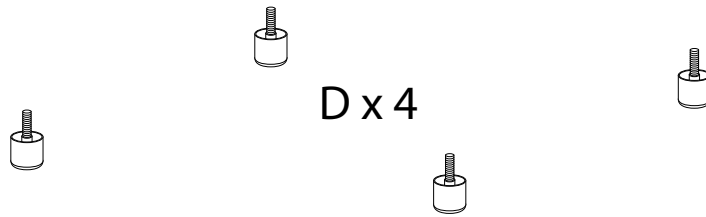
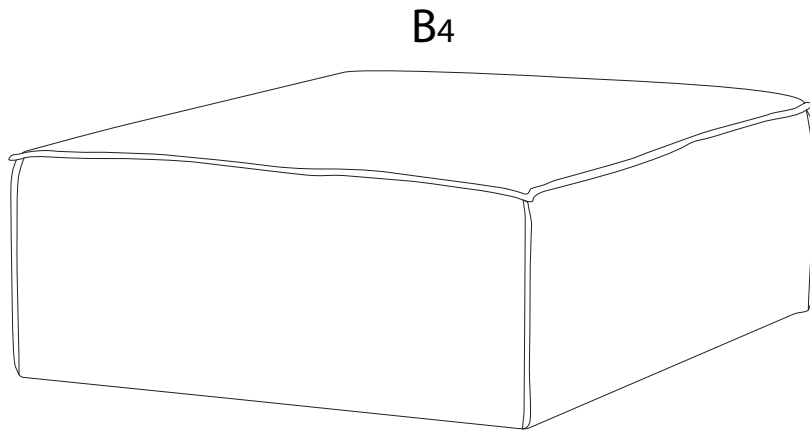
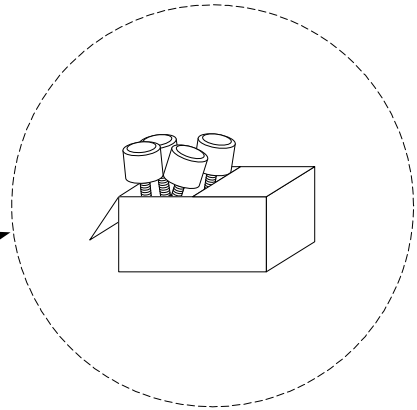
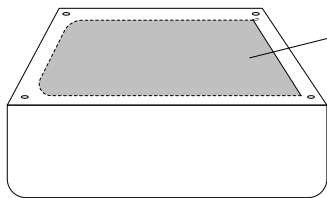
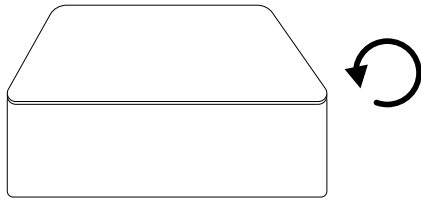


Diagram illustrating assembly instructions and safety warnings:

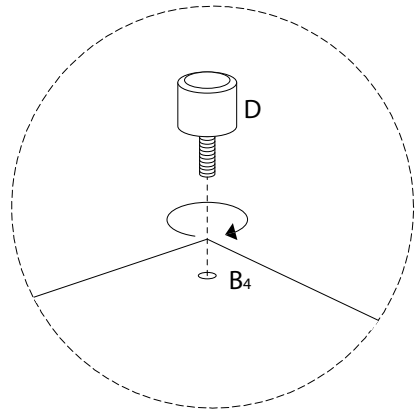
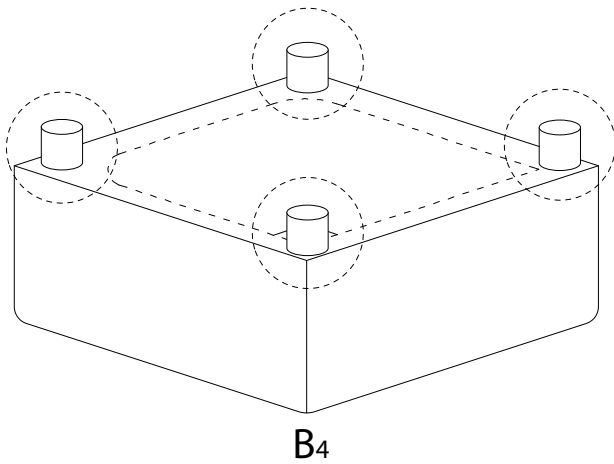
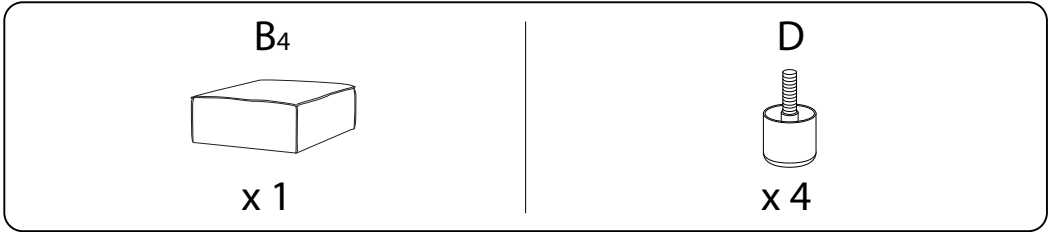
- Warning 1:** A crossed-out power drill icon indicates that a power drill should not be used for assembly.
- Warning 2:** A crossed-out icon of a block being lifted by a single person indicates that the item is heavy and should be lifted by two people.
- Time:** A clock icon with the number 5' indicates that the assembly process takes 5 minutes.
- Personnel:** An icon of a person with the number 2 indicates that two people are required for assembly.



!



1



!

