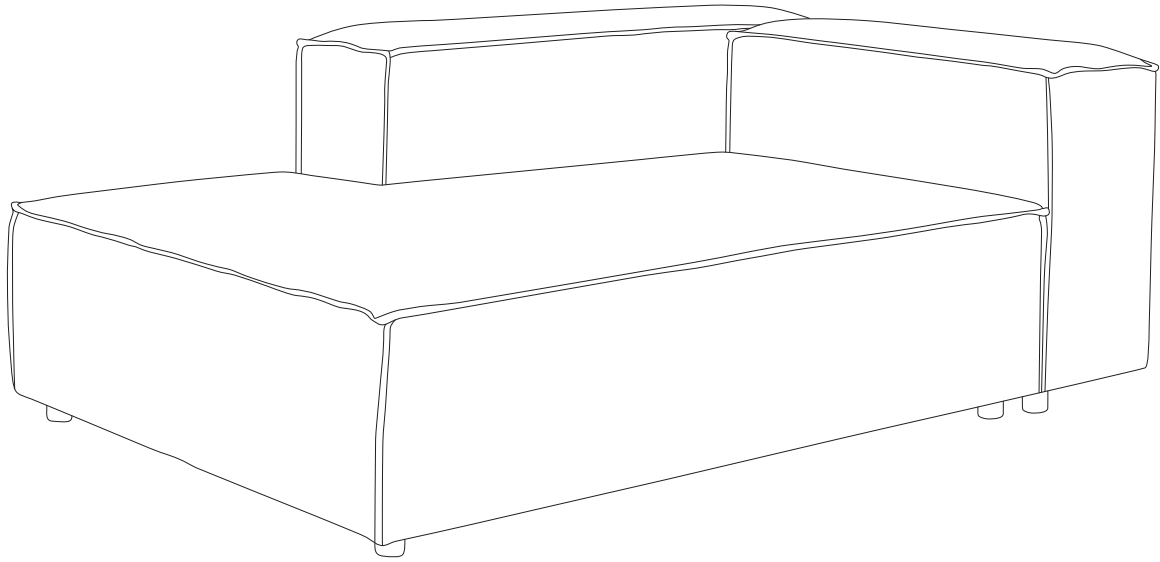
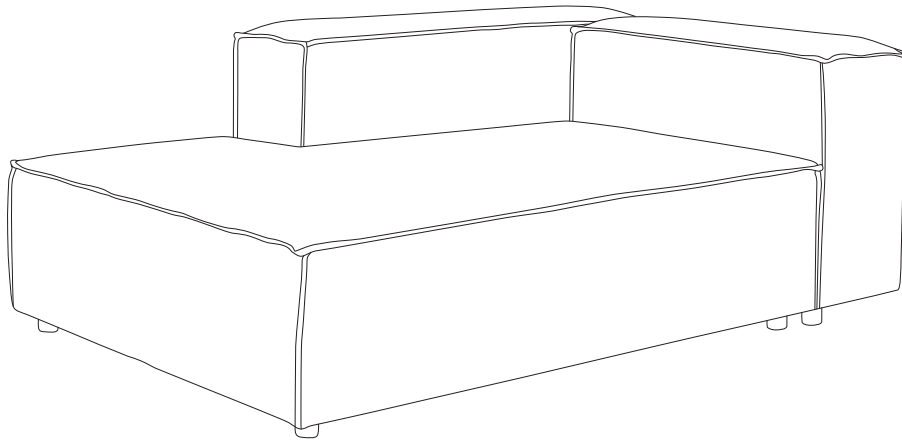


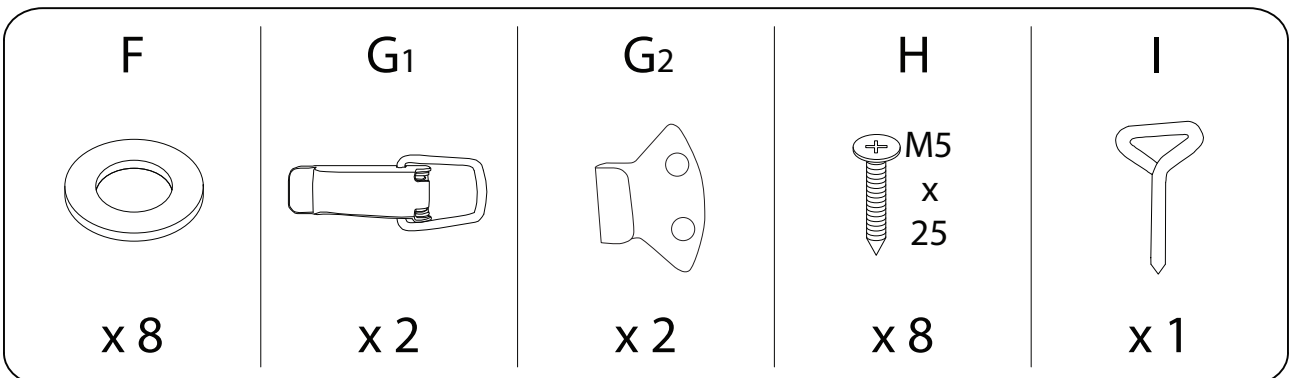
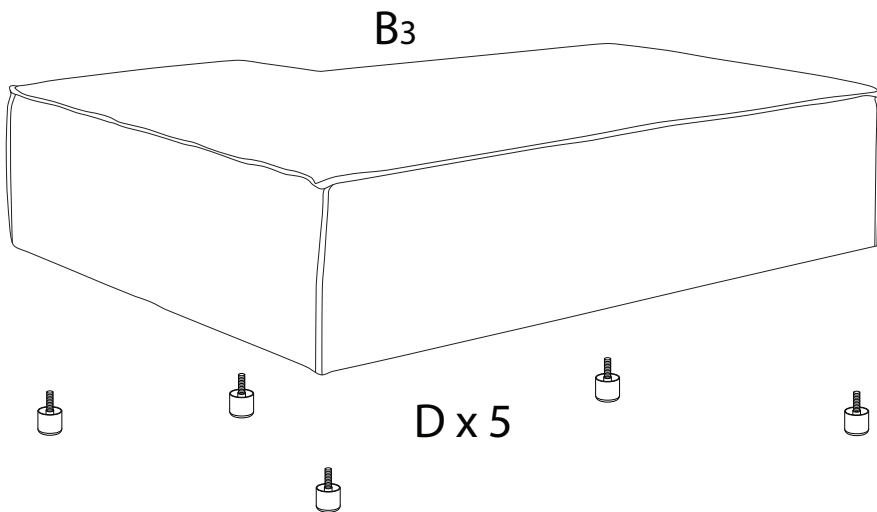
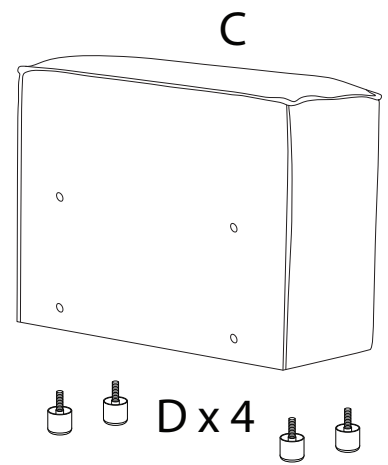
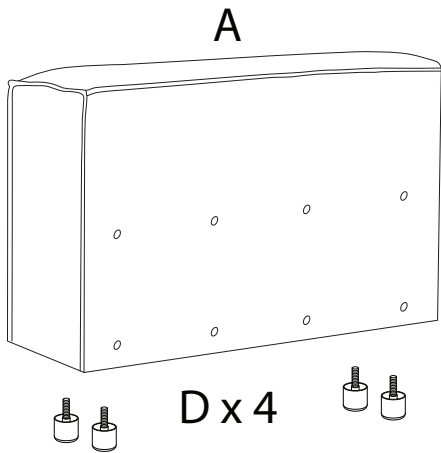
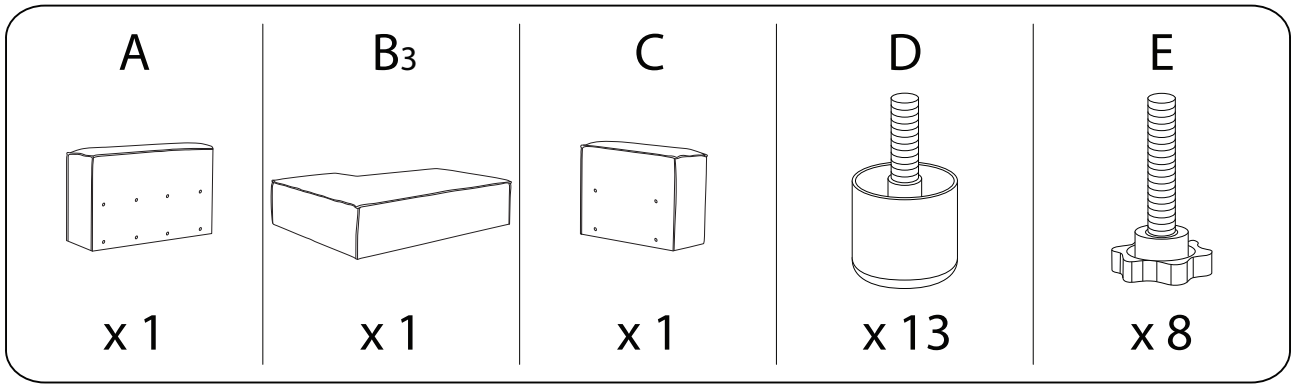
# APRICA



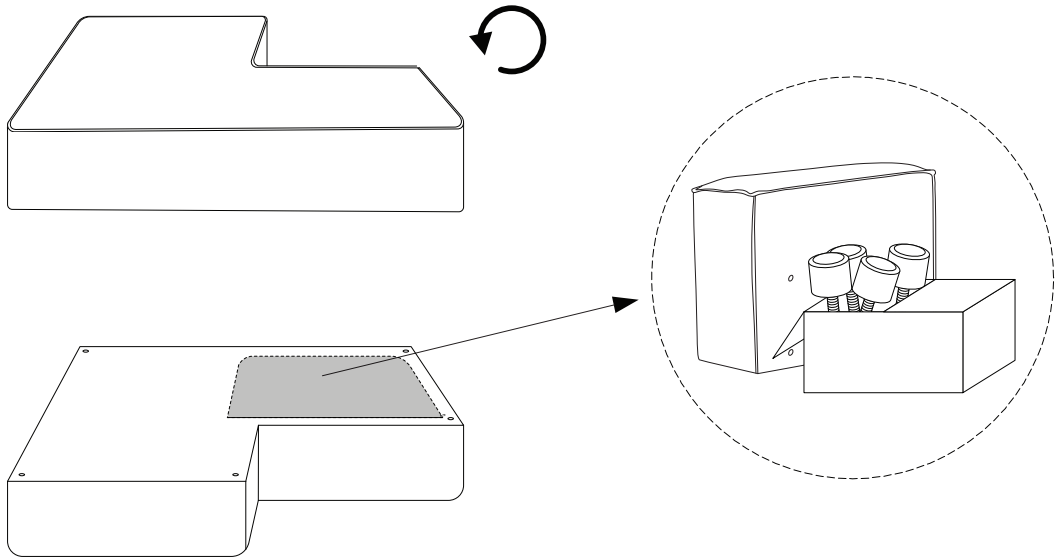



30'

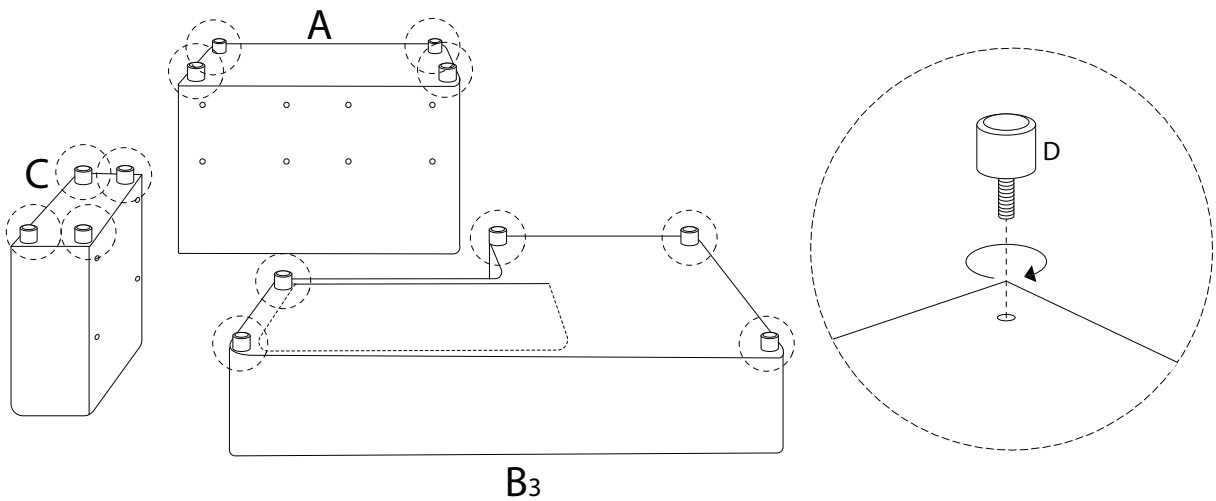
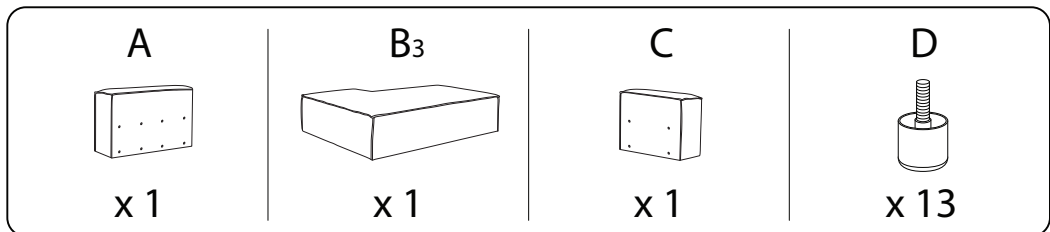
2



!



1



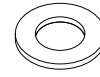
2

E

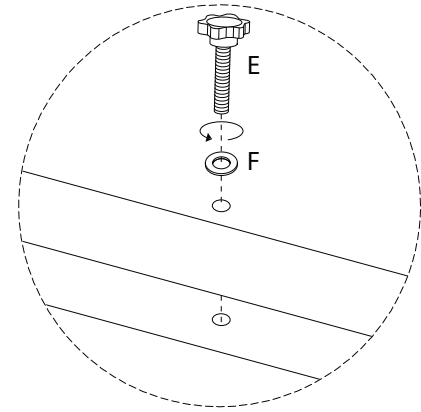
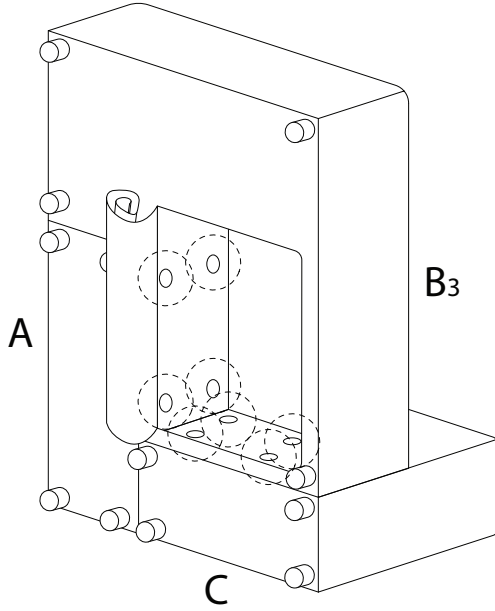


x 8

F

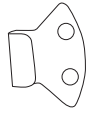


x 8



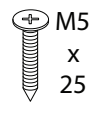
3

G<sub>2</sub>



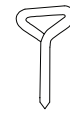
x 2

H

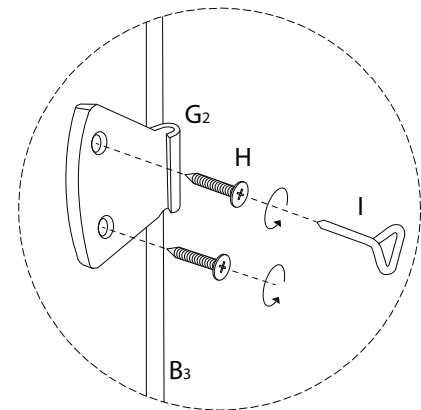
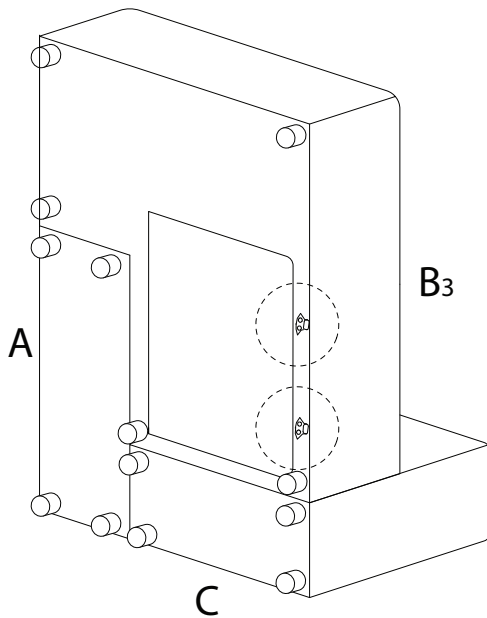


x 4

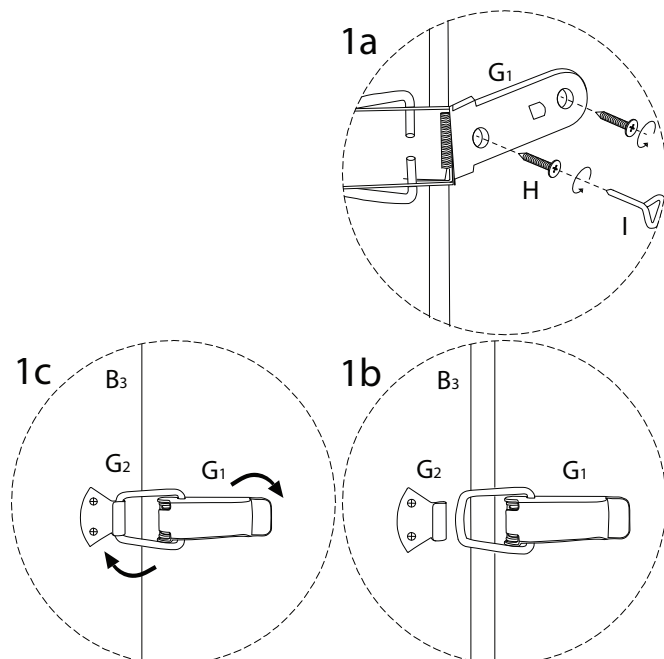
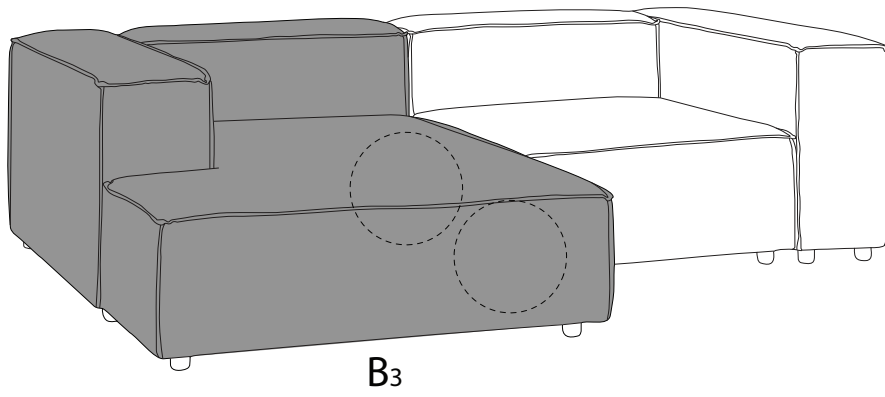
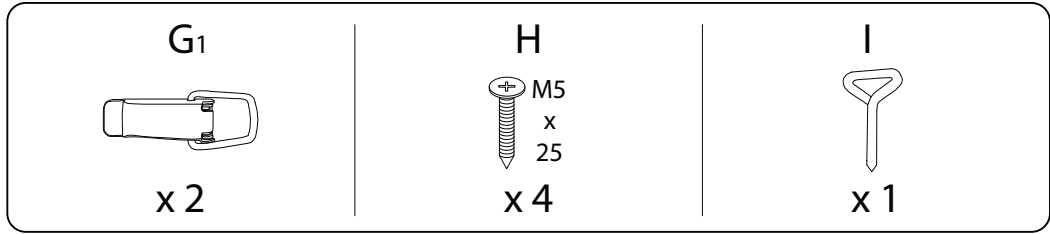
I



x 1



4



!

