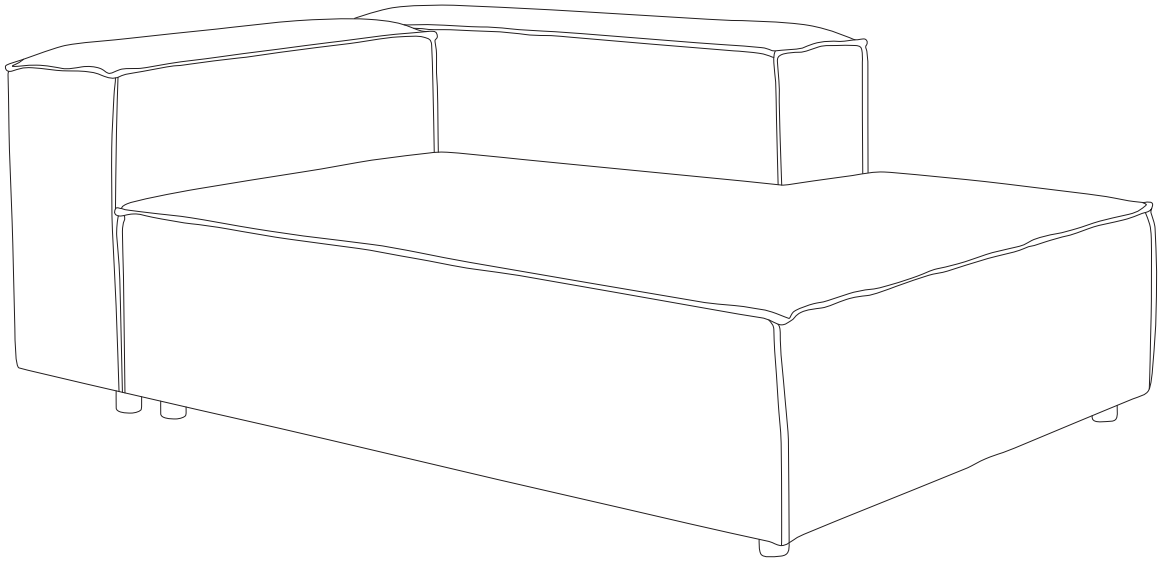
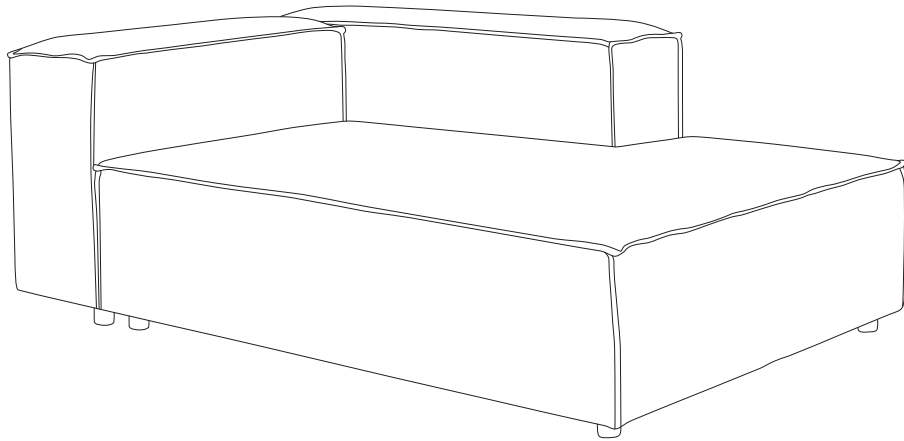
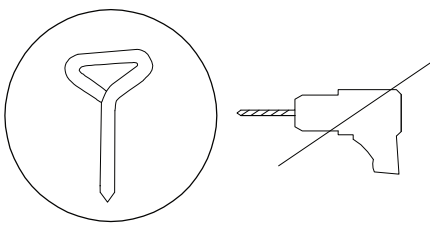

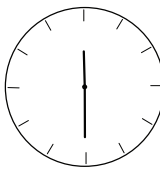
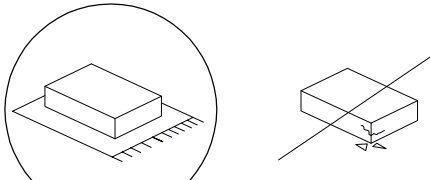

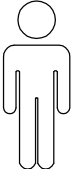


# APRICA

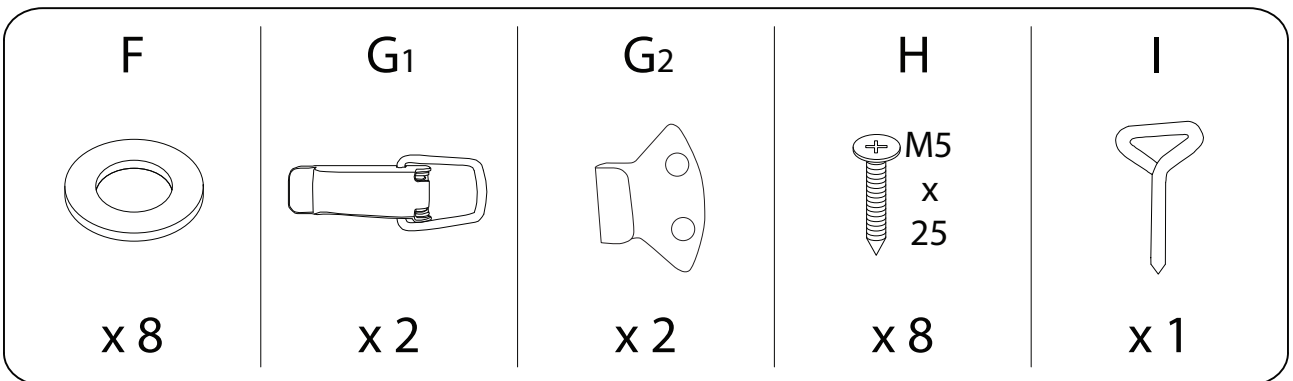
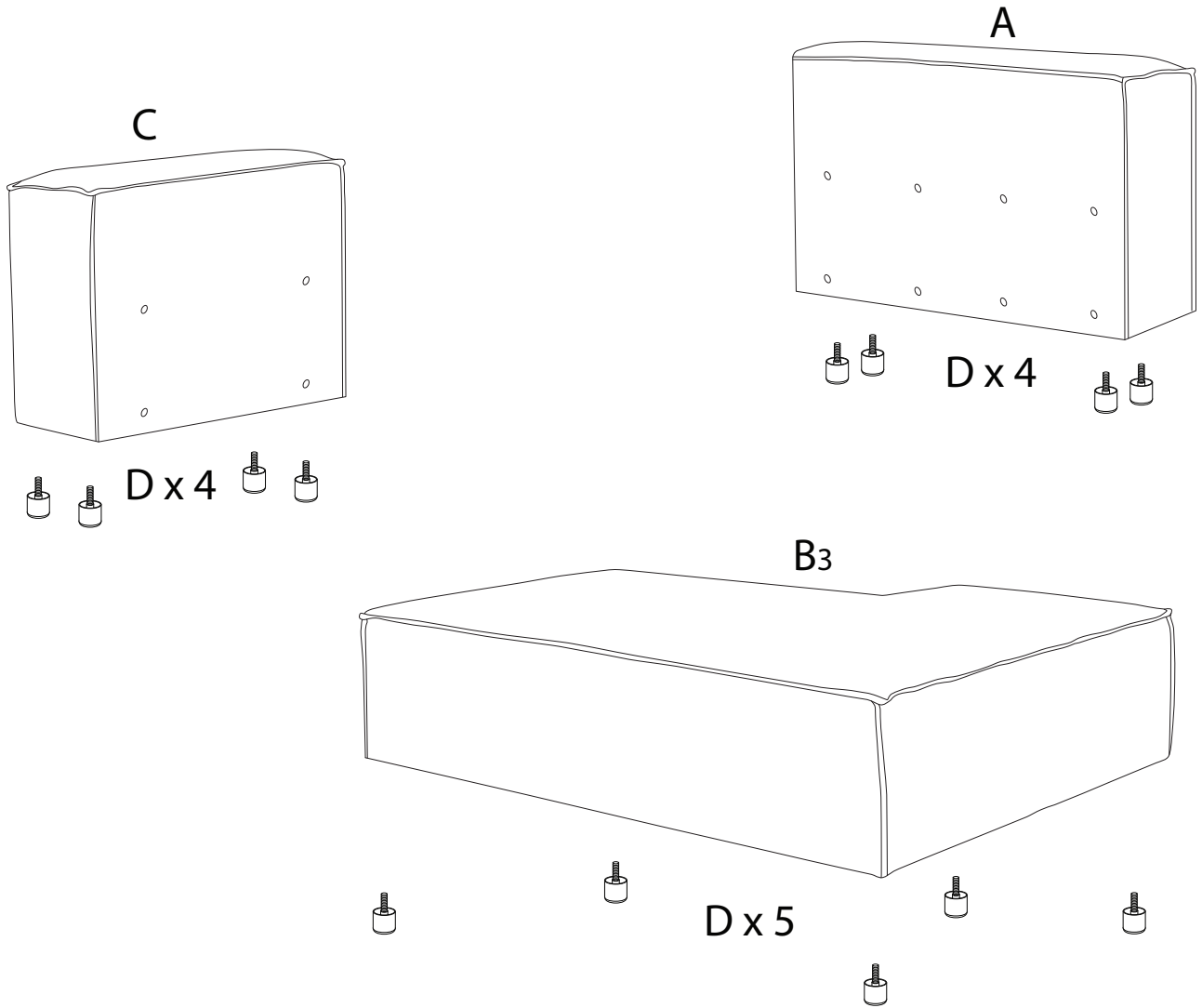
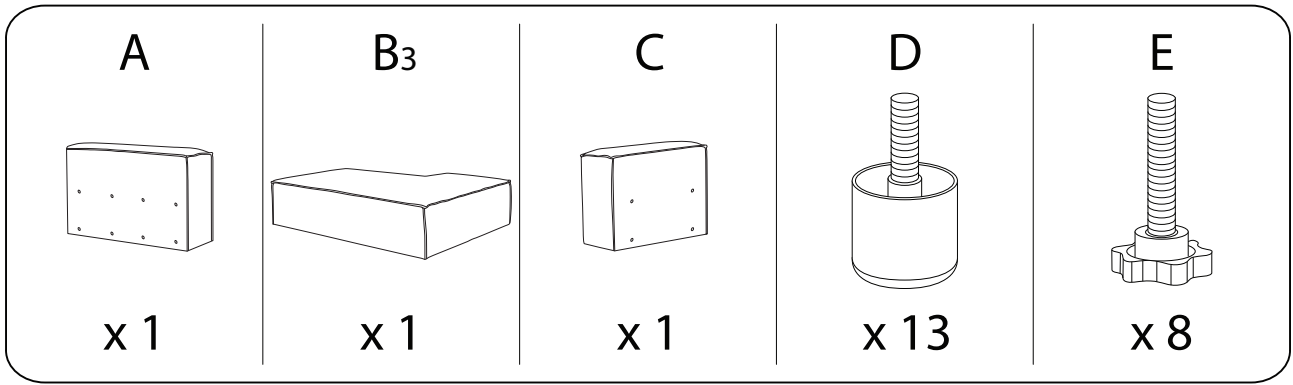




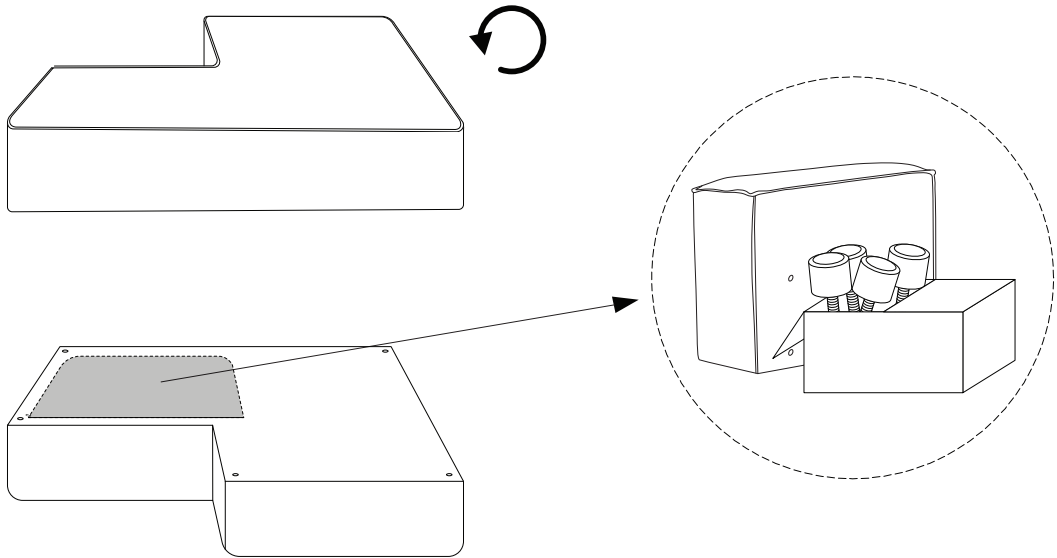
 A circular icon containing a key, and a power drill with a diagonal line through it, indicating that a power drill should not be used.		
 A circular icon showing a block on a mat, and a block being lifted with a diagonal line through it, indicating that the block should not be lifted.		

30'

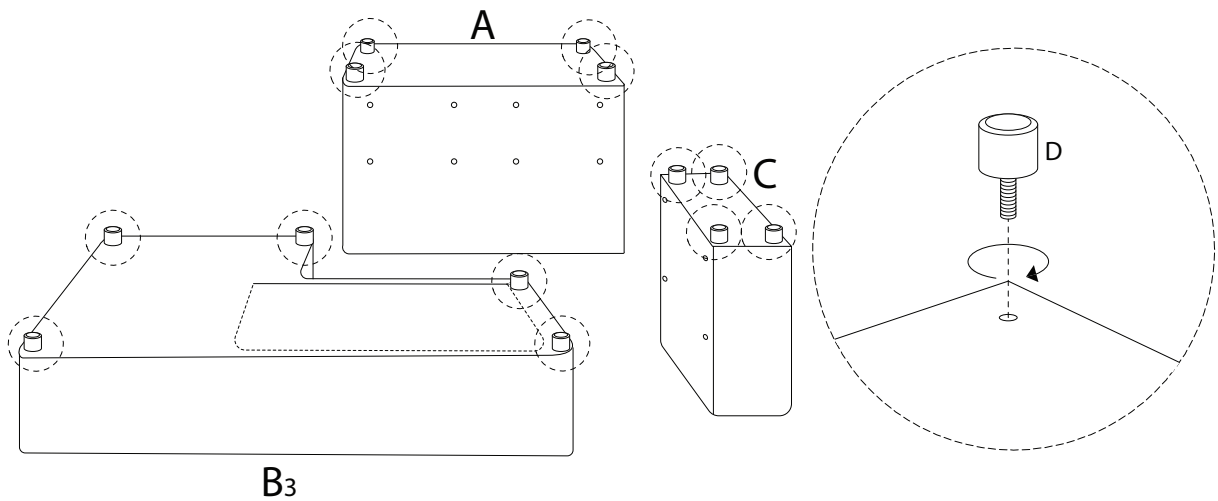
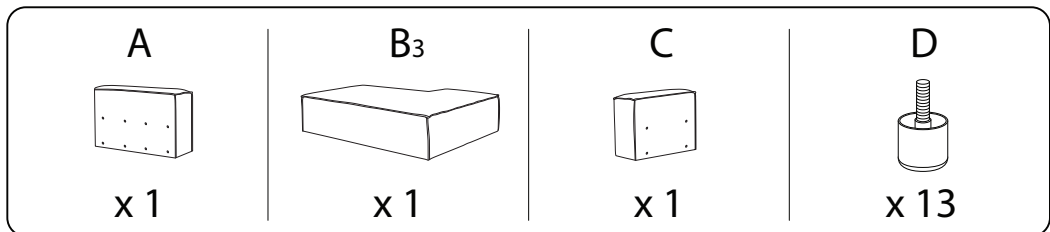
2



!



1



2

E

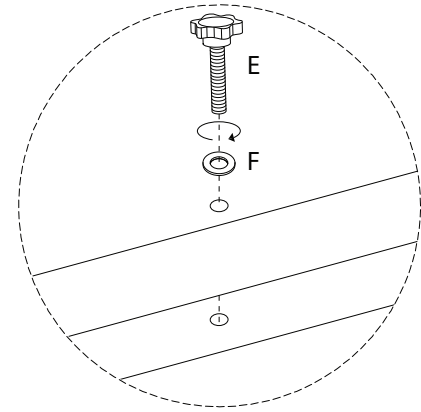
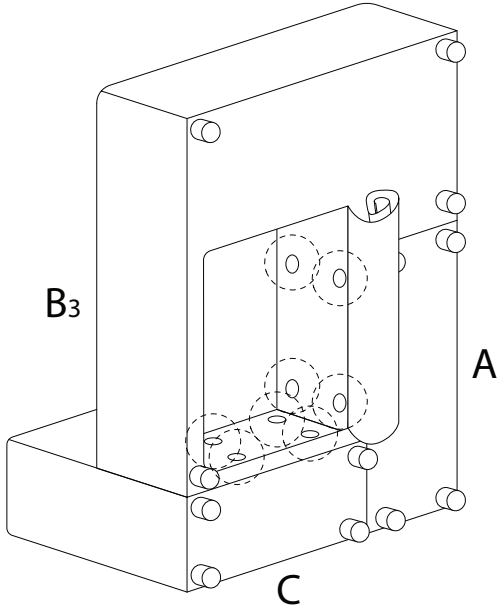


x 8

F

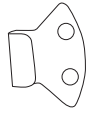


x 8



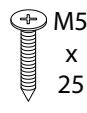
3

G<sub>2</sub>



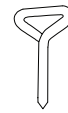
x 2

H

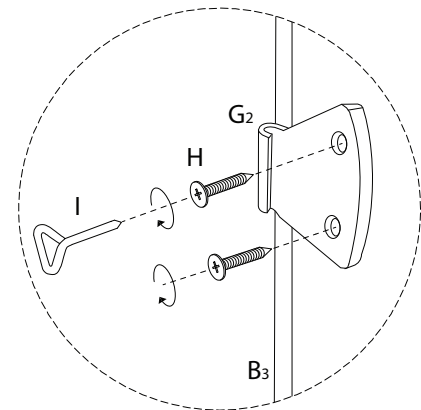
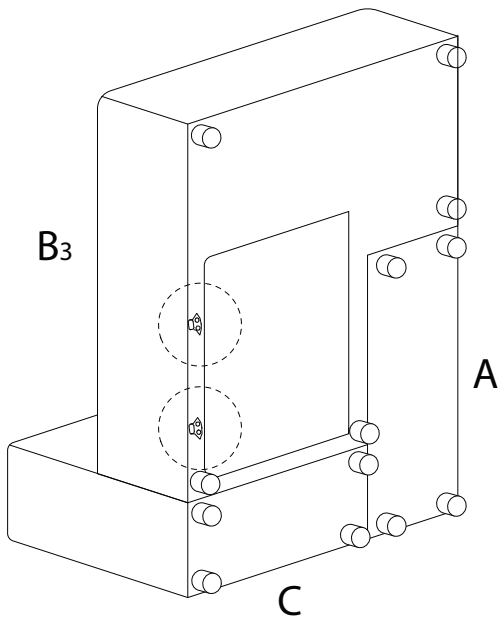


x 4

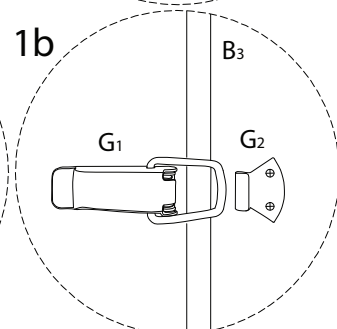
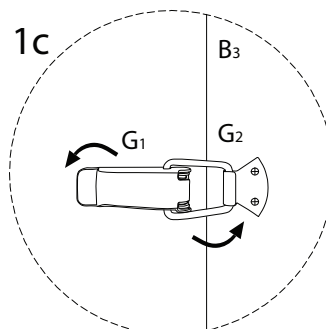
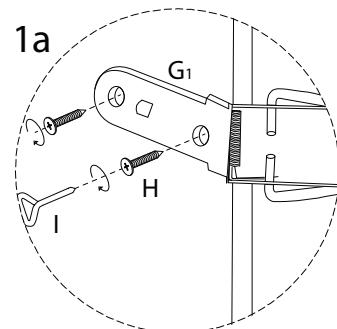
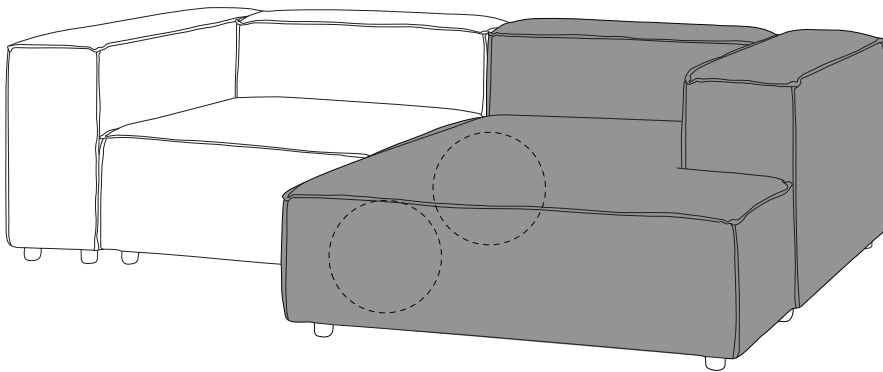
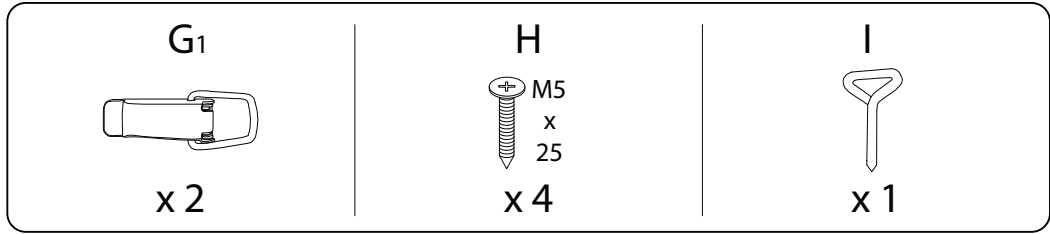
I



x 1



4



!

