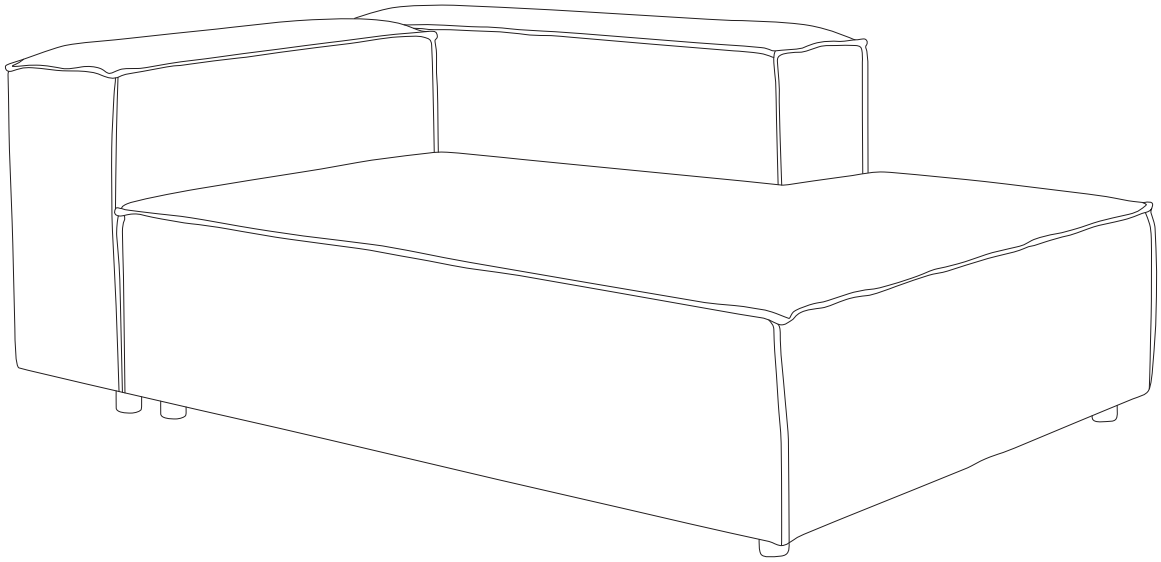
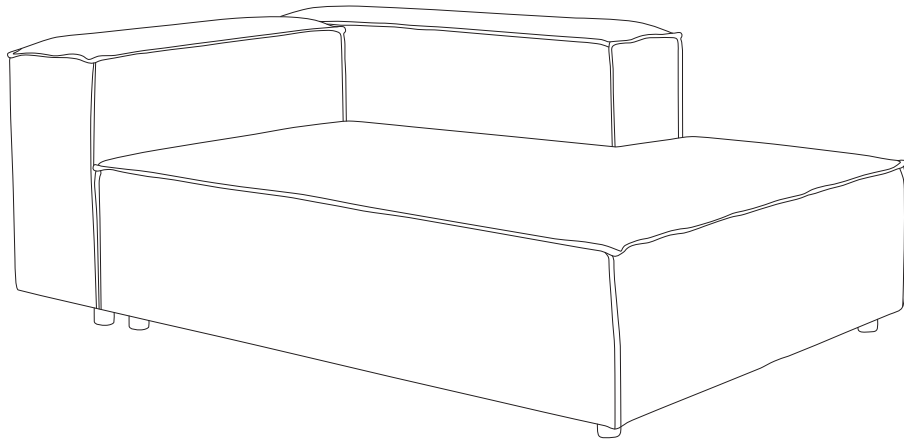
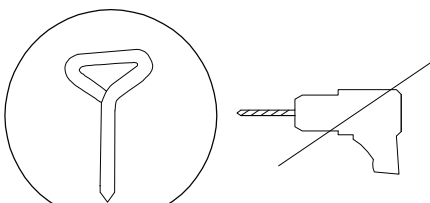

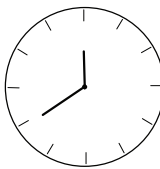
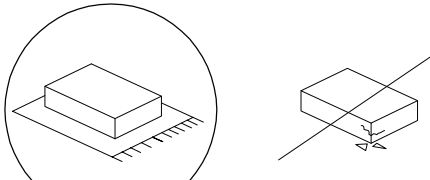


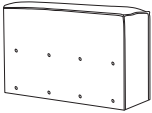
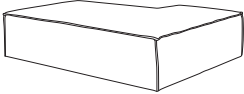
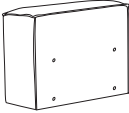
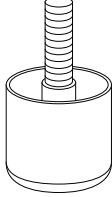
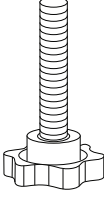


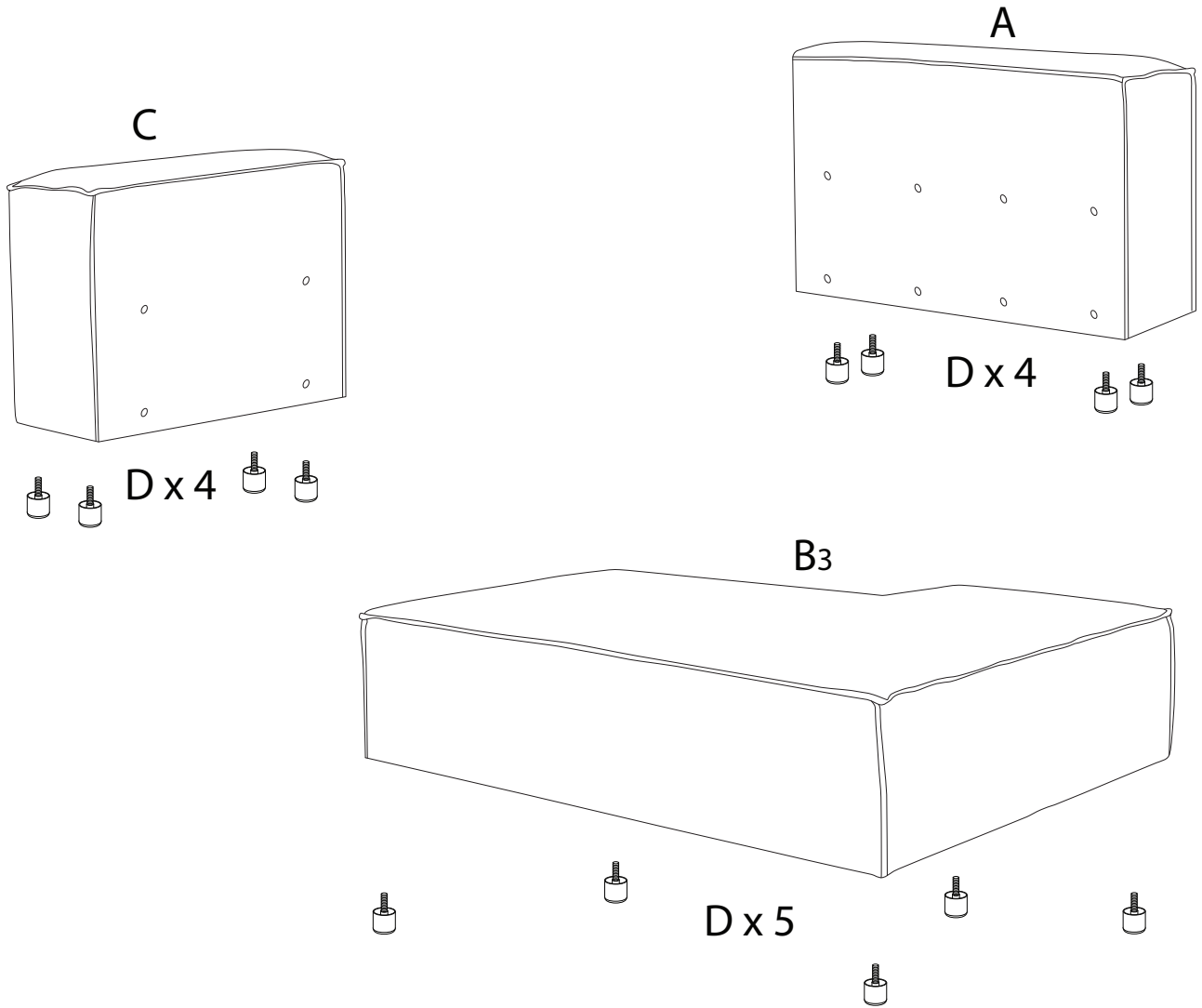
APRICA

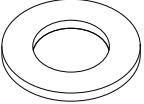
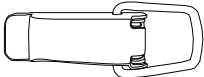
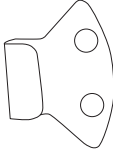

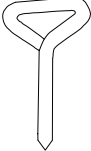




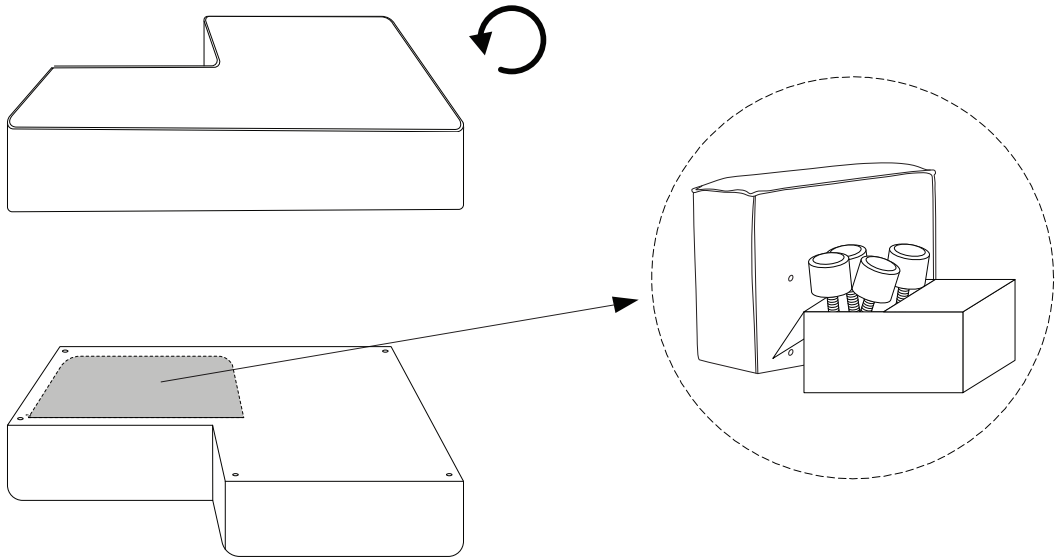
		
		40'
		
		2

A	B₃	C	D	E
				
x 1	x 1	x 1	x 13	x 8

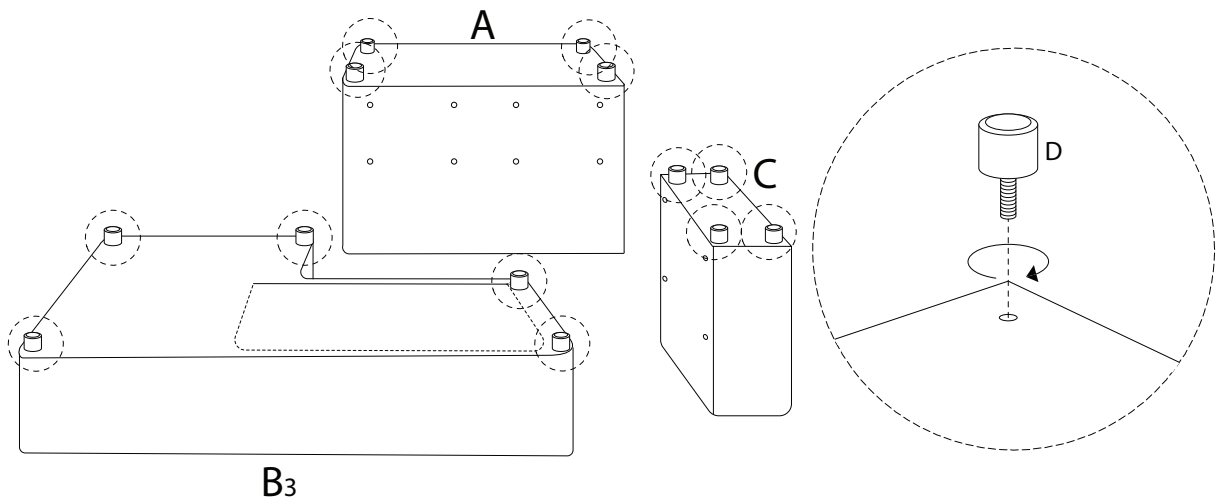
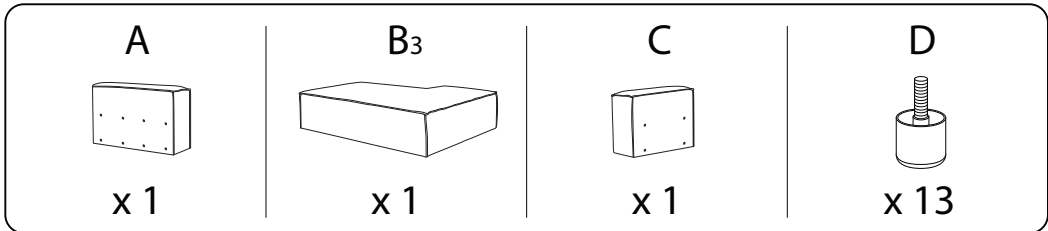


F	G₁	G₂	H	I
				
x 8	x 2	x 2	x 8	x 1

!



1



2

E

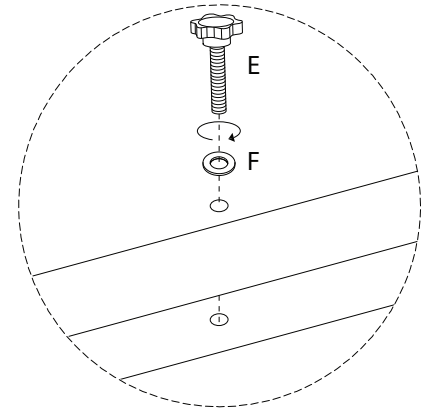
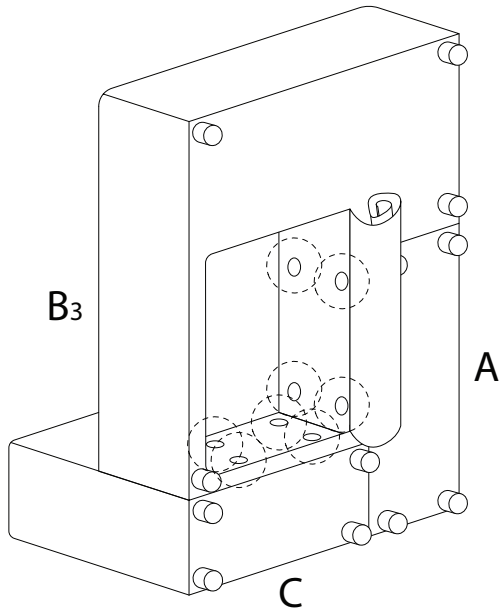


x 8

F

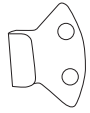


x 8



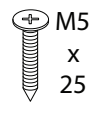
3

G₂



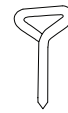
x 2

H

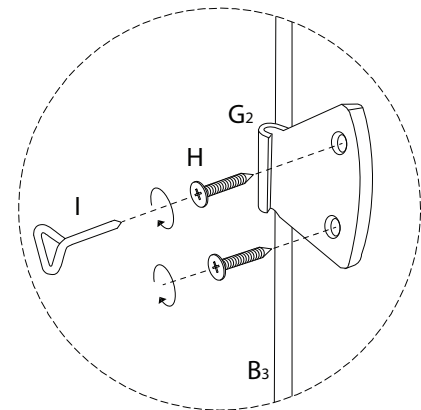
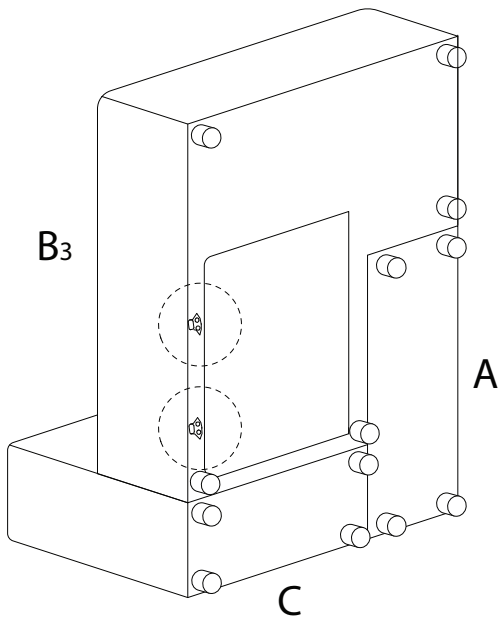


x 4

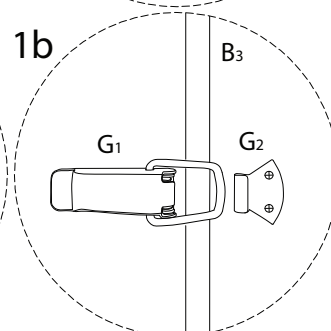
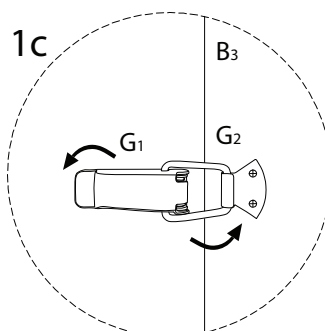
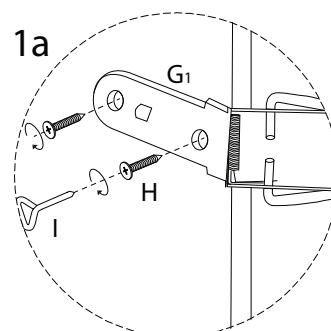
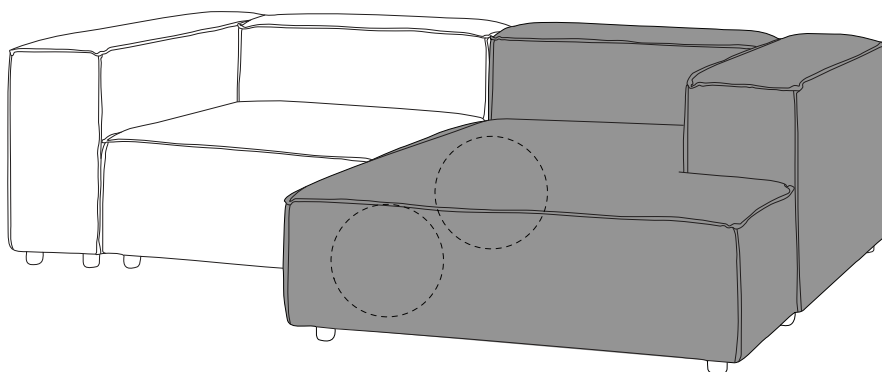
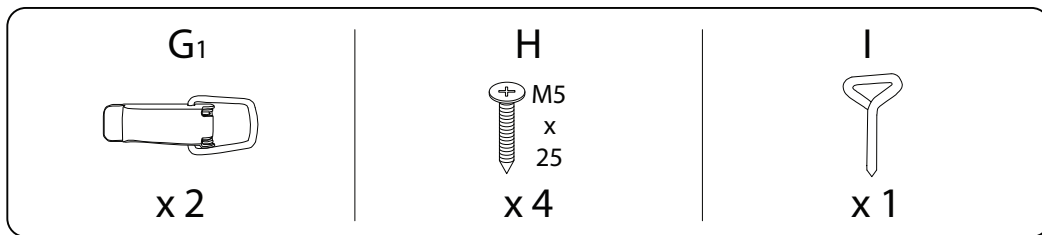
I



x 1



4



!

