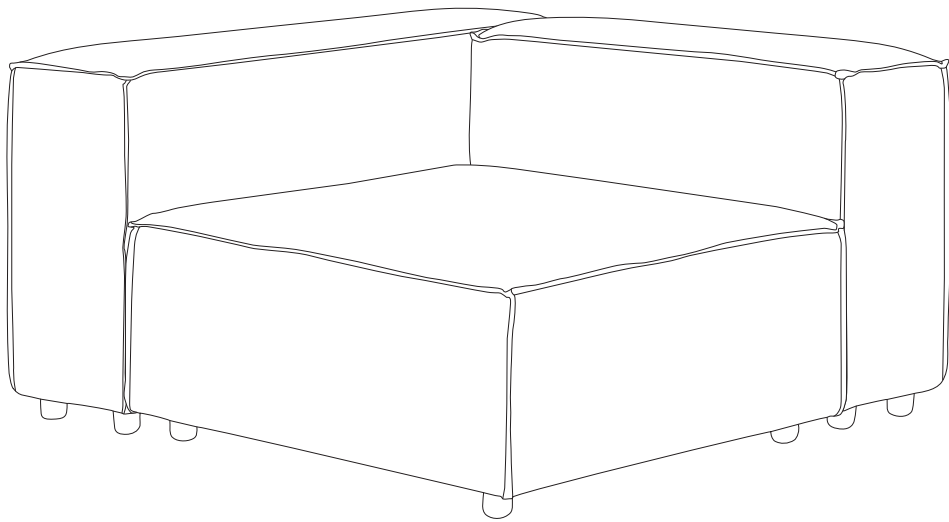


APRICA



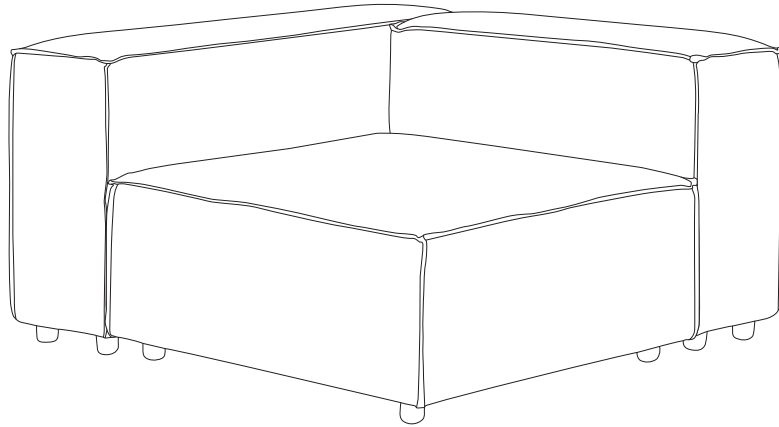
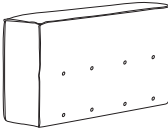
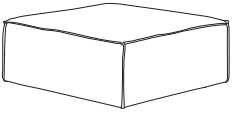
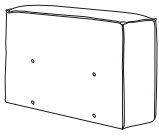
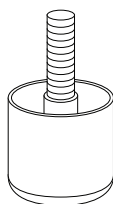
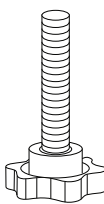
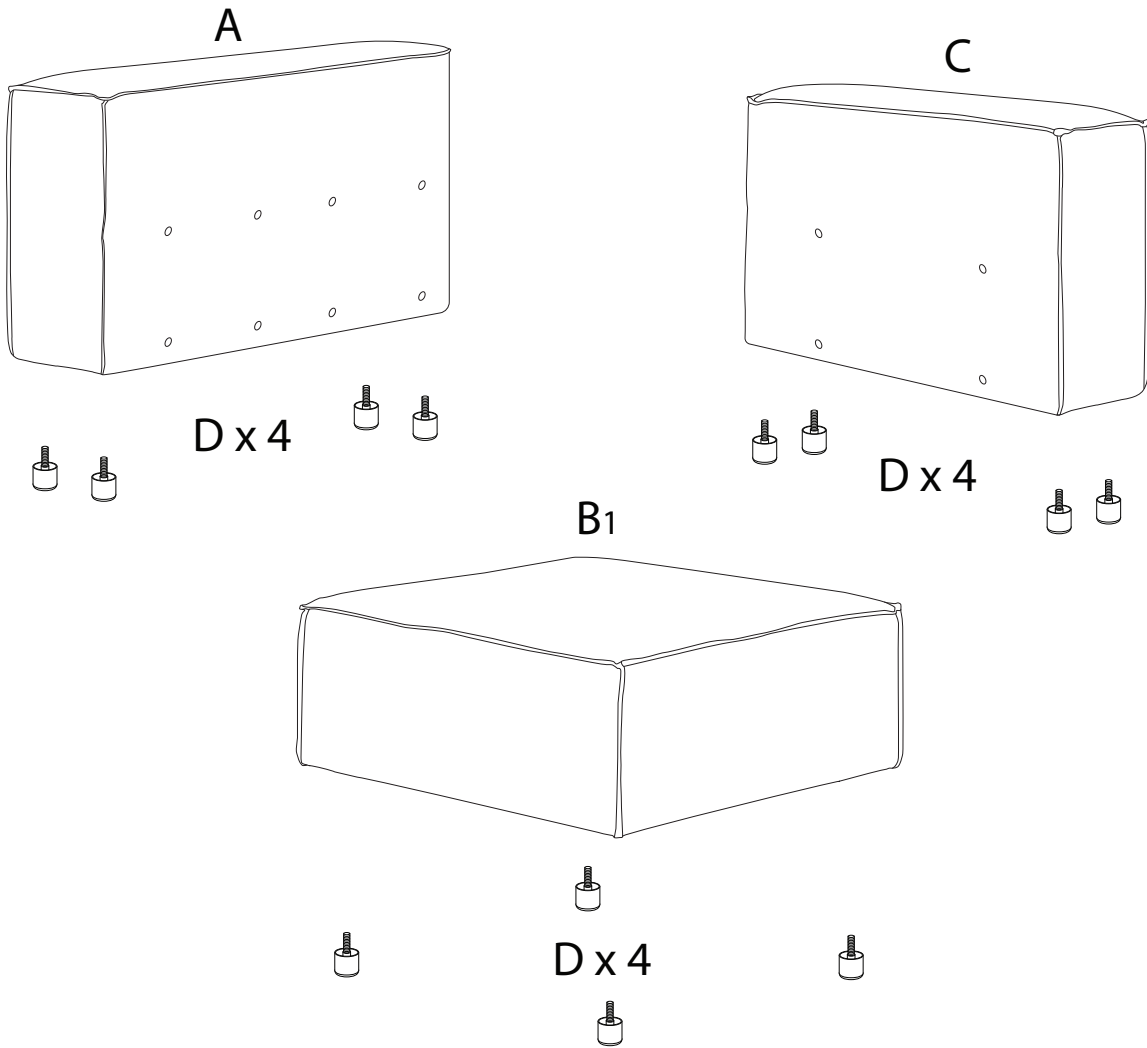
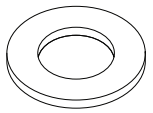
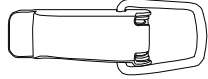
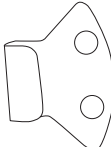
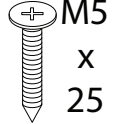
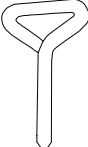


Diagram illustrating assembly instructions and safety warnings:

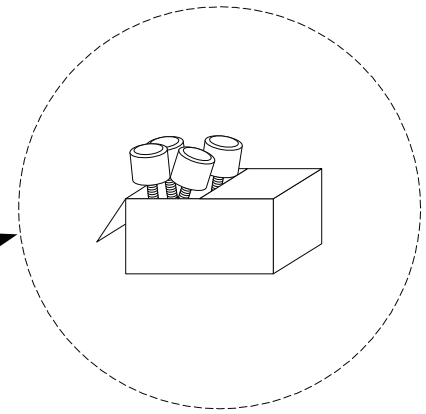
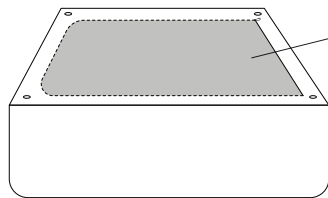
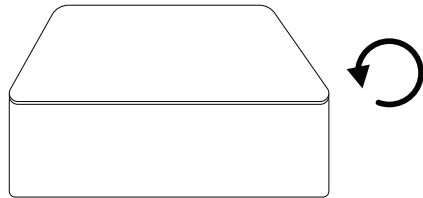
- Warning 1:** A triangle with an exclamation mark points to a box containing a key icon and a crossed-out power drill icon, indicating that a power drill should not be used.
- Warning 2:** A triangle with an exclamation mark points to a box containing an icon of a block on a mat and a crossed-out icon of a block being lifted, indicating that the product should be placed on a soft surface and not lifted.
- Time:** A clock icon is positioned above the number **10'**, indicating an estimated assembly time of 10 minutes.
- Personnel:** An icon of a person is positioned above the number **2**, indicating that two people are required for assembly.

A	B₁	C	D	E
				
x 1	x 1	x 1	x 12	x 8

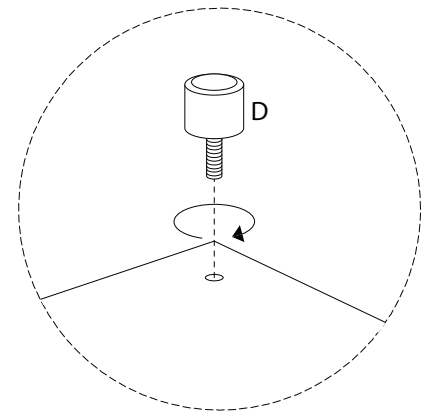
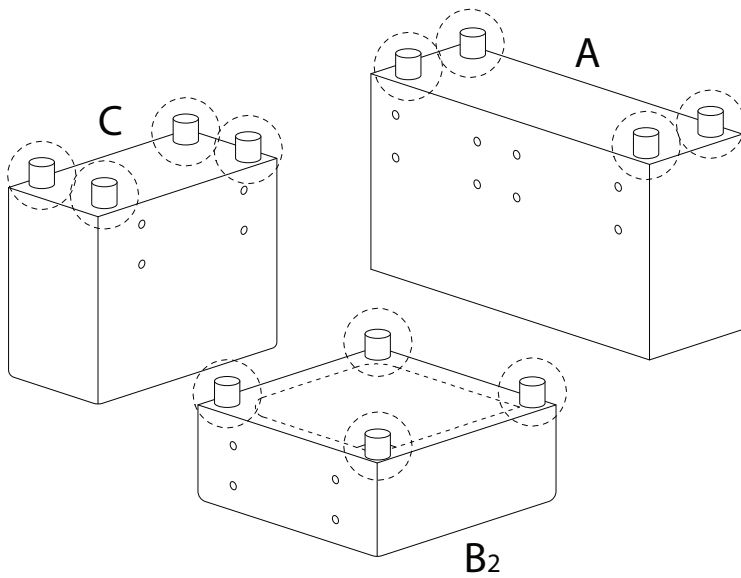
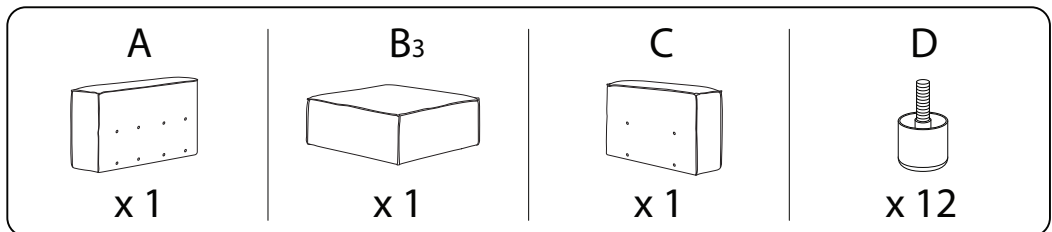


F	G₁	G₂	H	I
				
x 8	x 2	x 2	x 8	x 1

!



1



2R

E

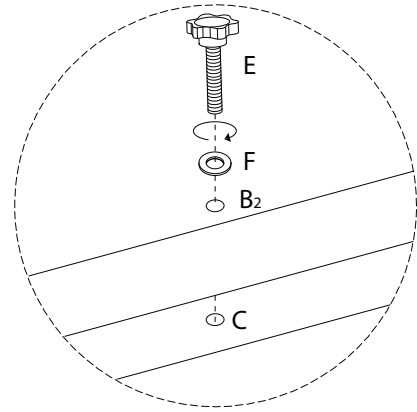
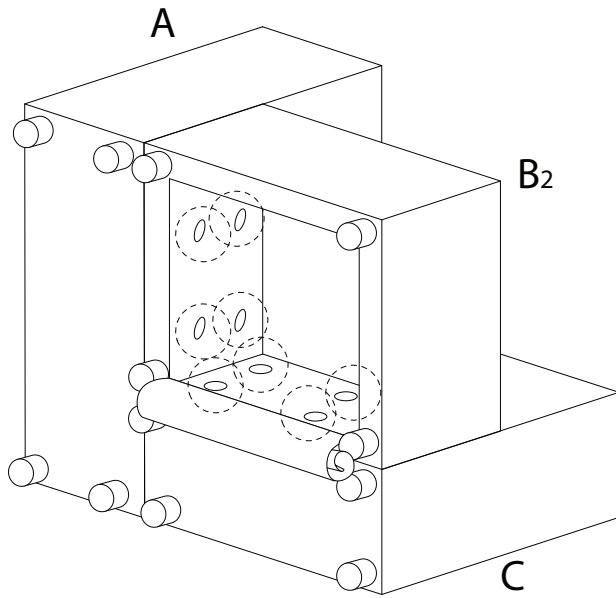


x 4

F



x 4



2L

E

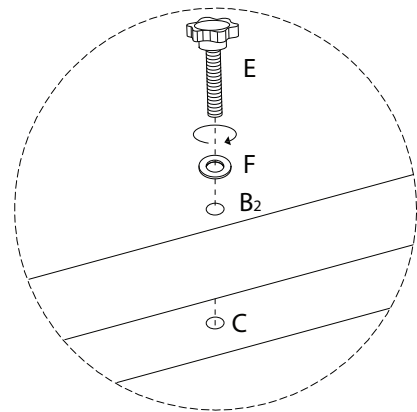
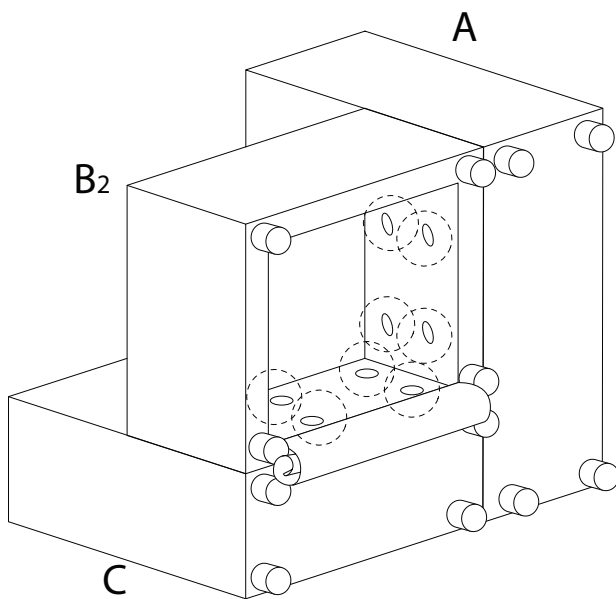


x 4

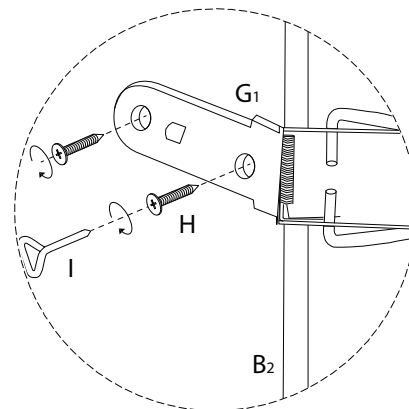
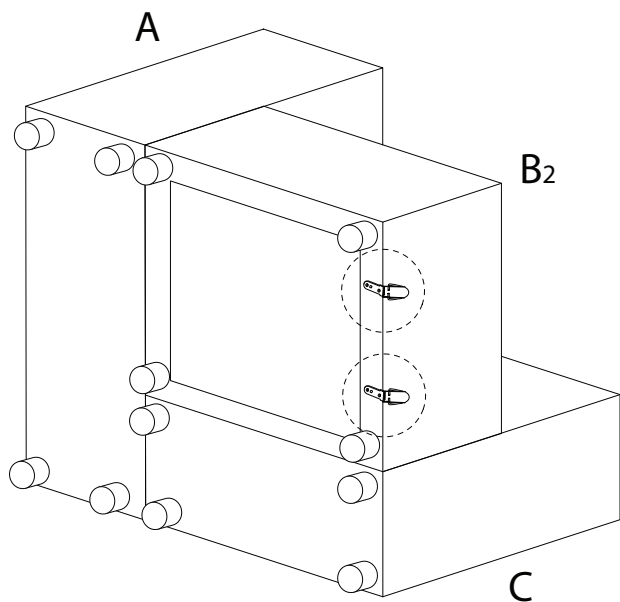
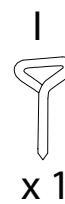
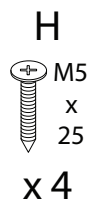
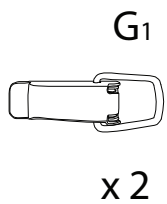
F



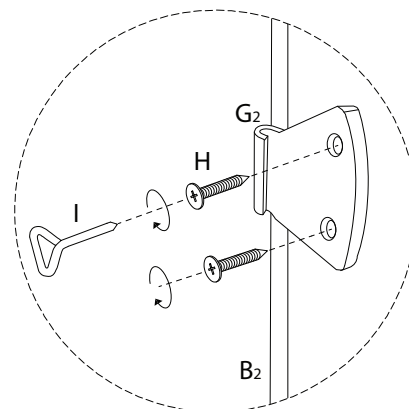
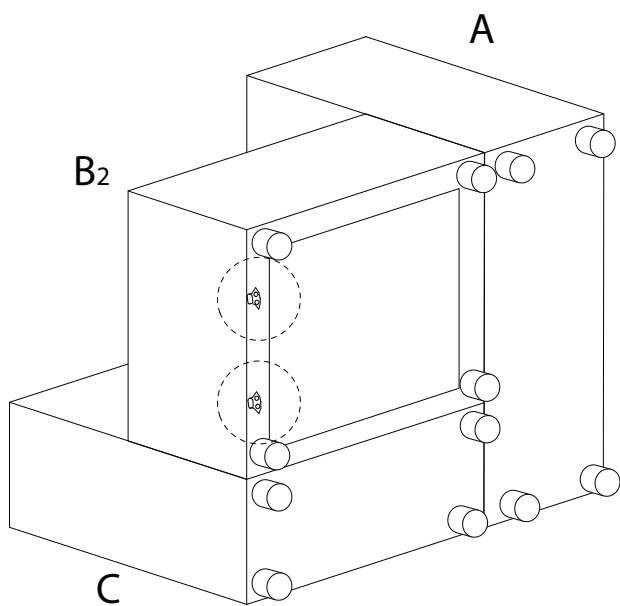
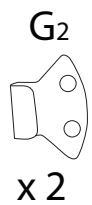
x 4



3R



3L



!

