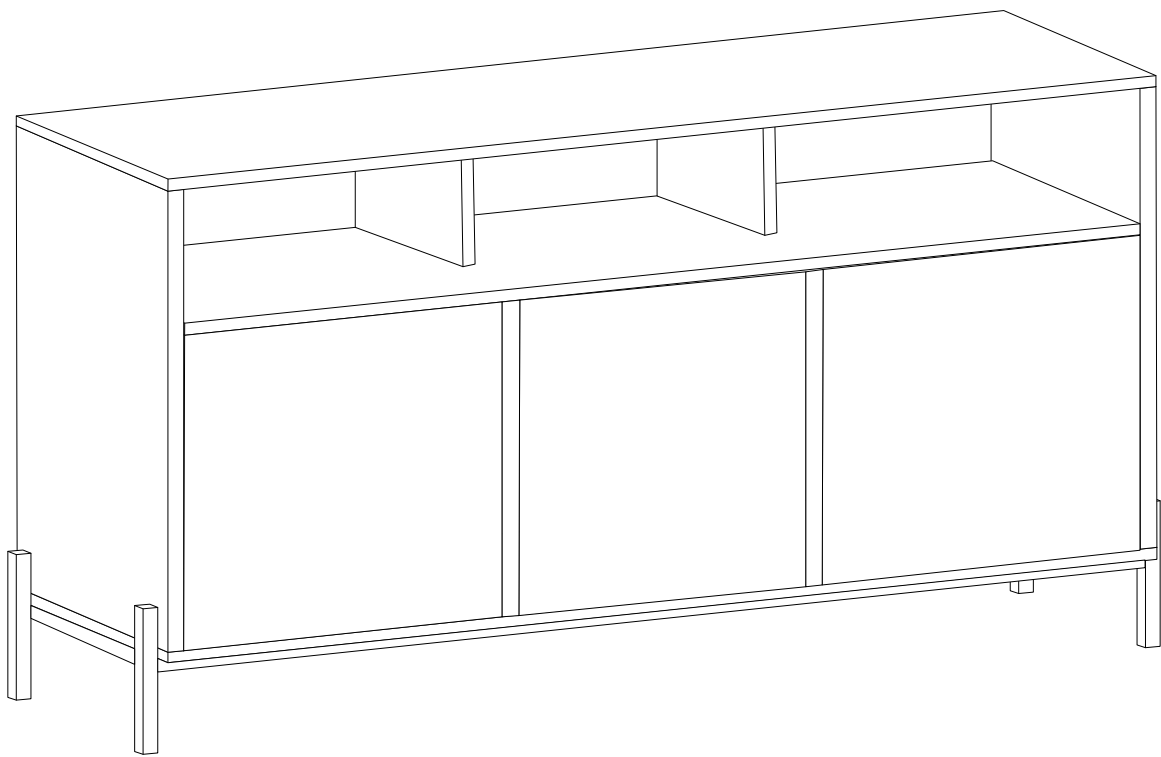
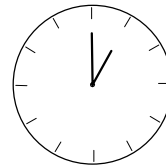
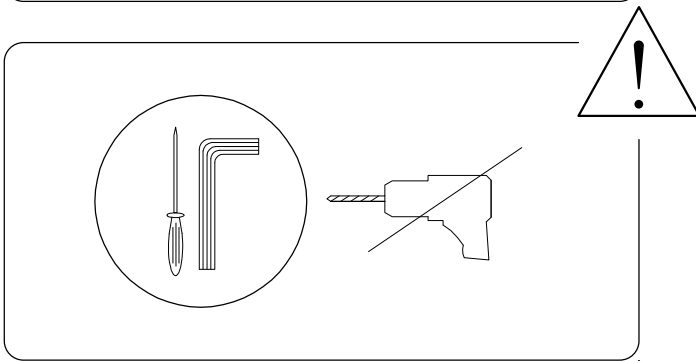
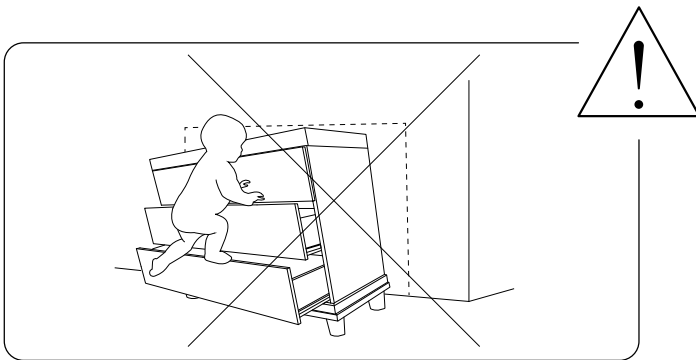
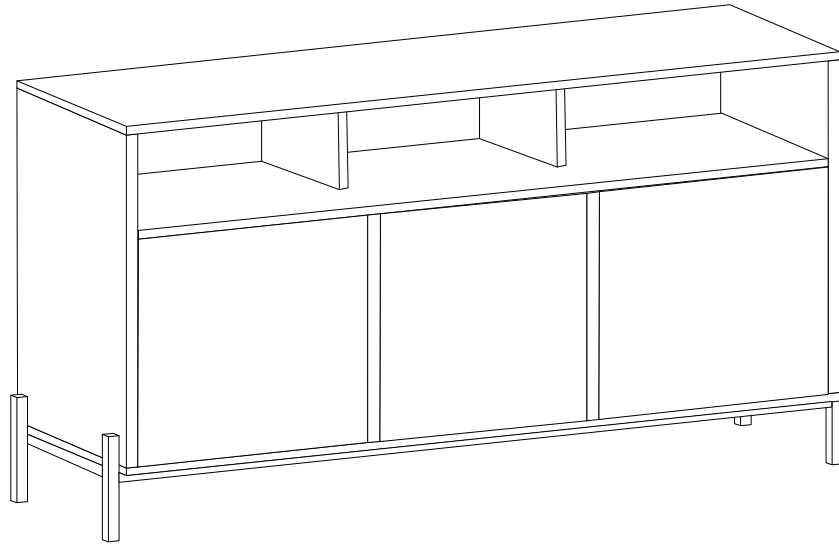
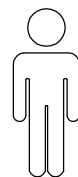
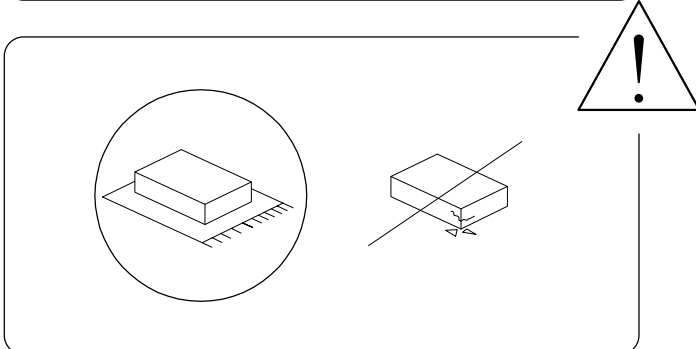


MOINES

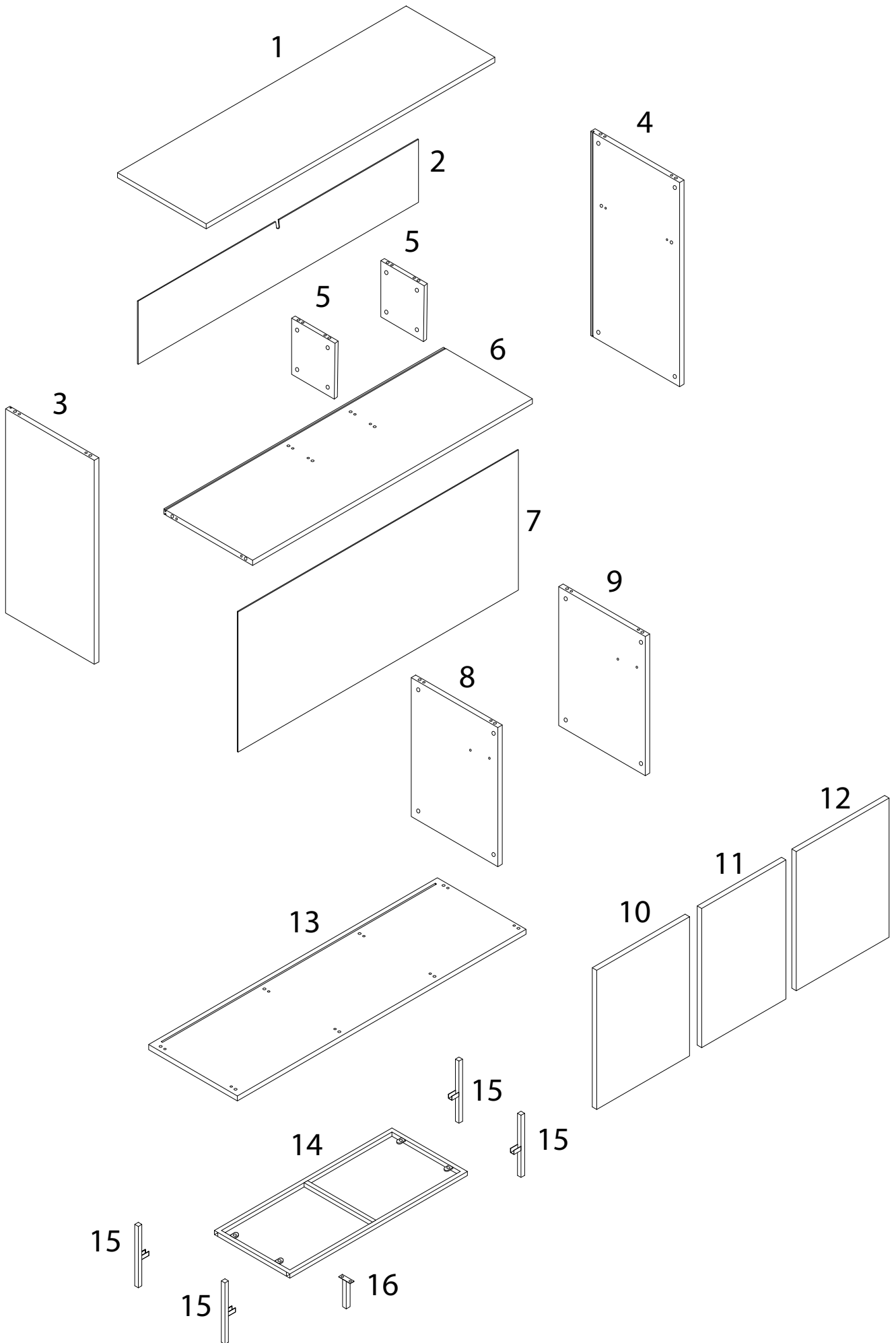


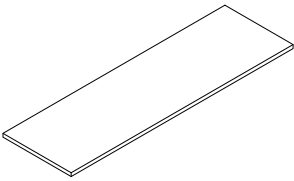
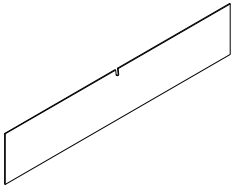

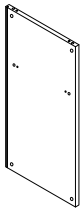
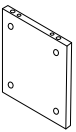
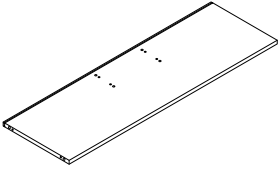
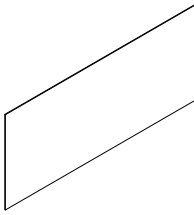
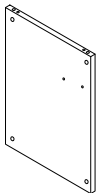
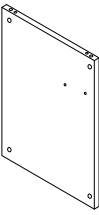
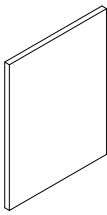
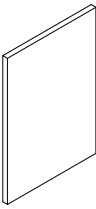
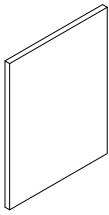
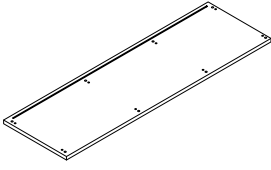
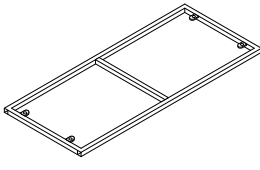
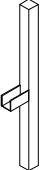
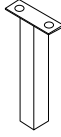


60'



2



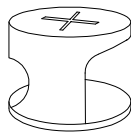
<p>1</p>  <p>x 1</p>	<p>2</p>  <p>x 1</p>	<p>3</p>  <p>x 1</p>	<p>4</p>  <p>x 1</p>
<p>5</p>  <p>x 2</p>	<p>6</p>  <p>x 1</p>	<p>7</p>  <p>x 1</p>	<p>8</p>  <p>x 1</p>
<p>9</p>  <p>x 1</p>	<p>10</p>  <p>x 1</p>	<p>11</p>  <p>x 1</p>	<p>12</p>  <p>x 1</p>
<p>13</p>  <p>x 1</p>	<p>14</p>  <p>x 1</p>	<p>15</p>  <p>x 4</p>	<p>16</p>  <p>x 1</p>

A



x 28

B



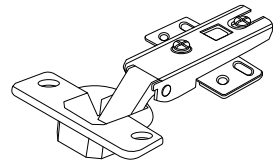
x 28

C



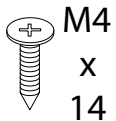
x 28

D



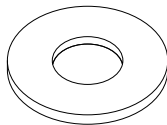
x 6

E



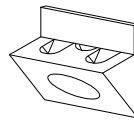
x 50

F



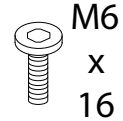
x 15

G



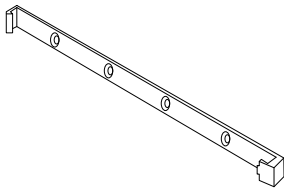
x 8

H



x 15

I



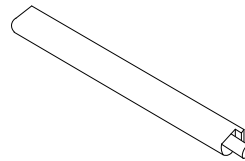
x 3

J



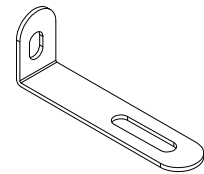
x 1

K



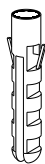
x 3

L



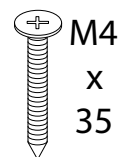
x 1

M



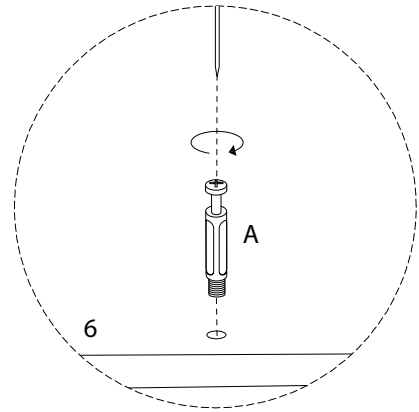
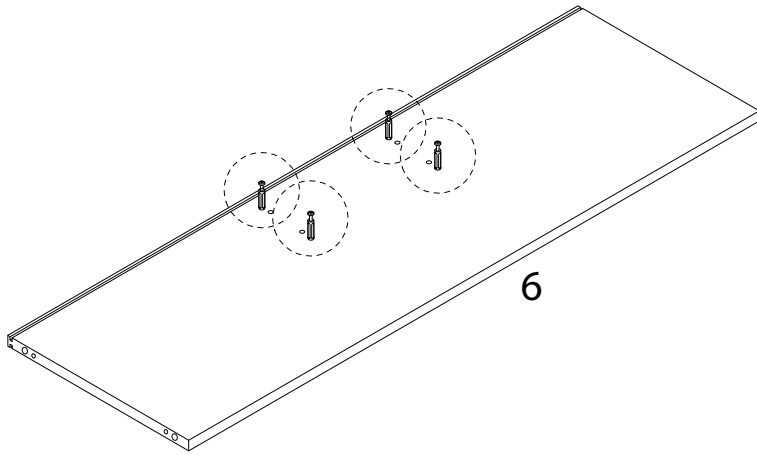
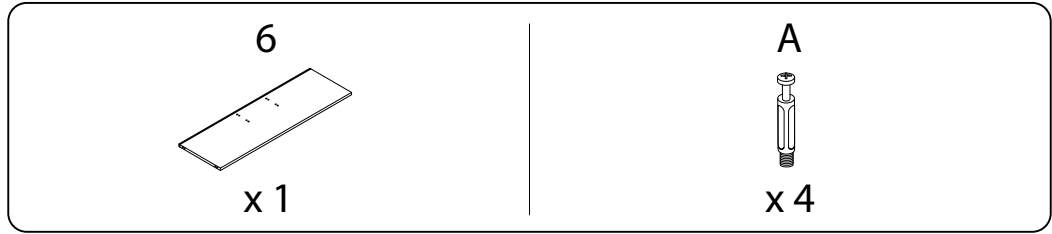
x 1

N

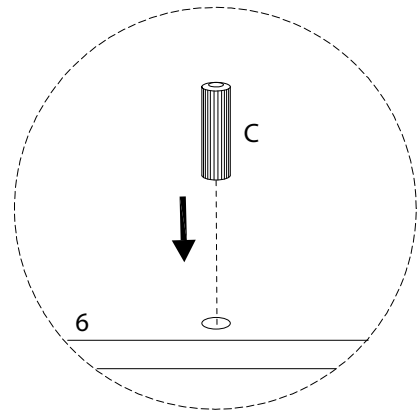
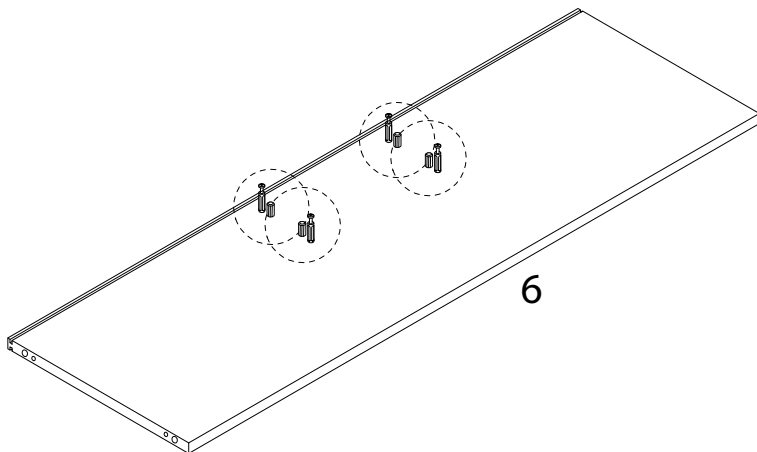
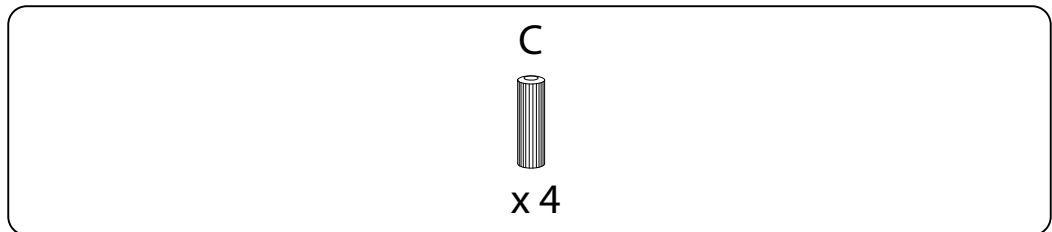


x 1

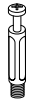
1

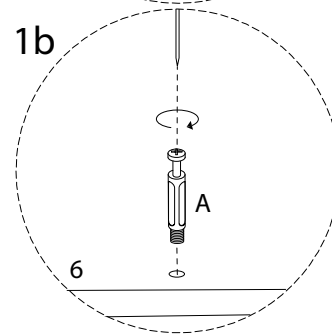
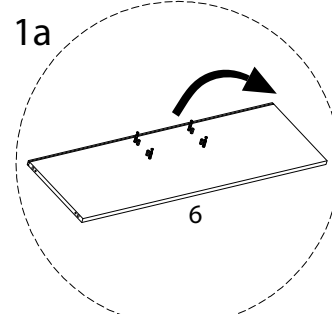
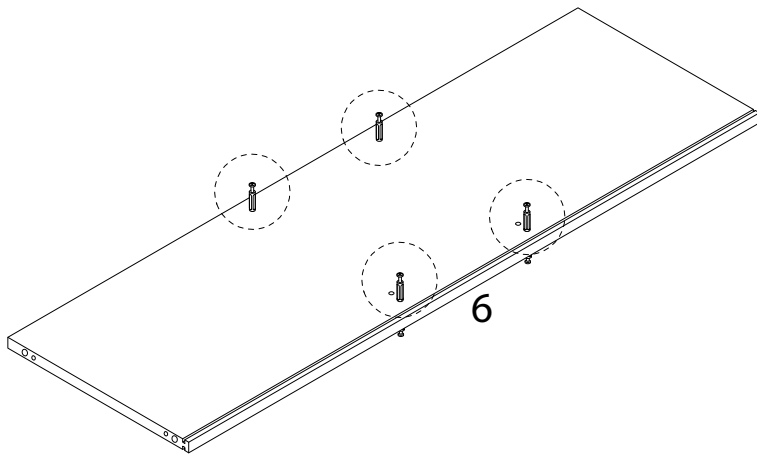


2




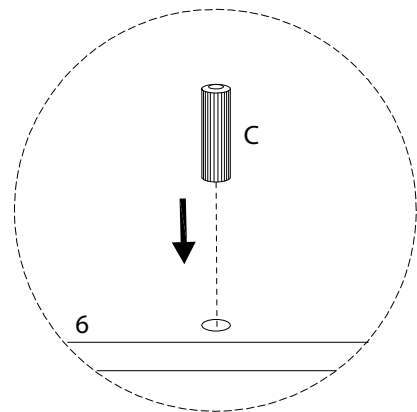
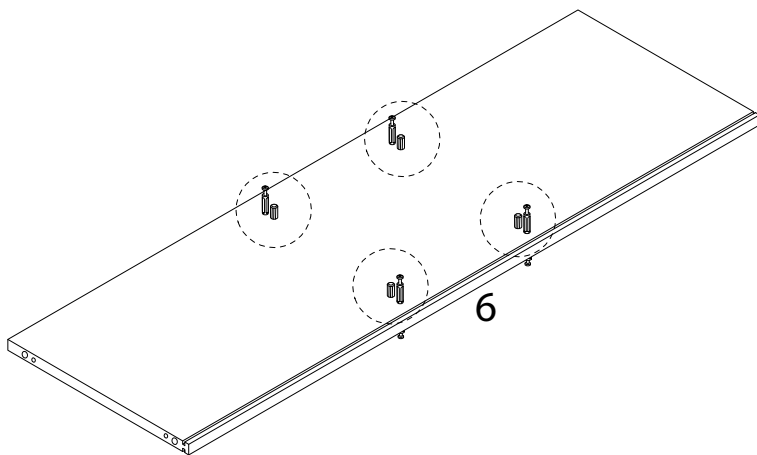
3

A

x 4

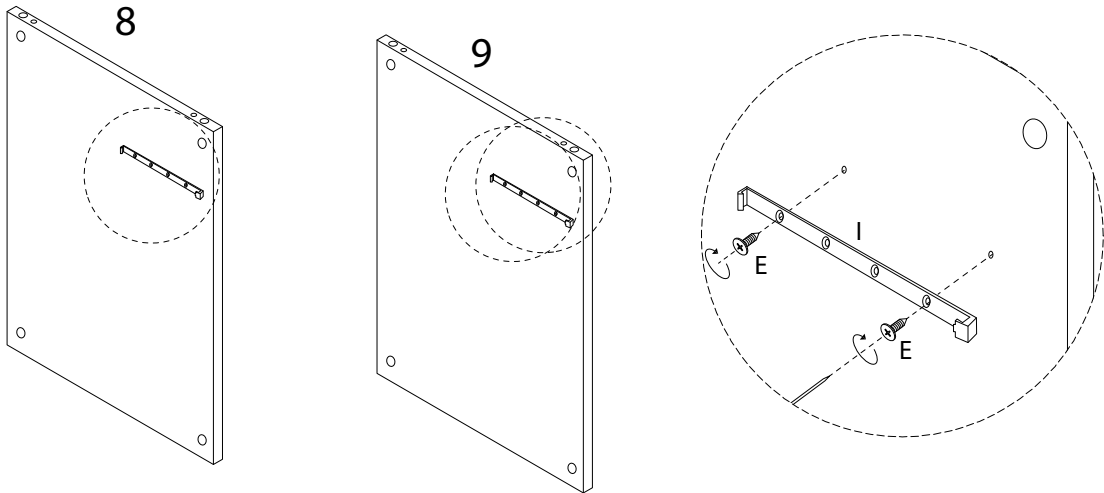
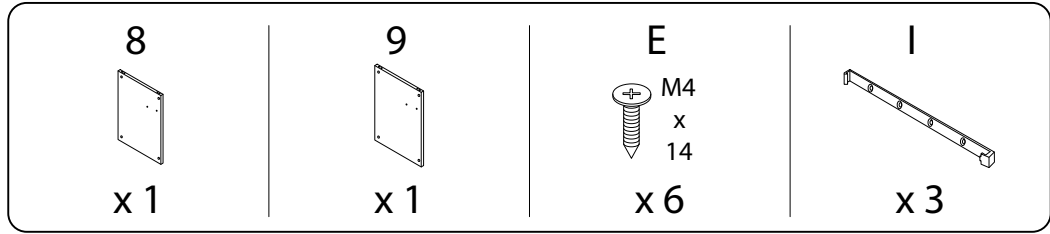


4

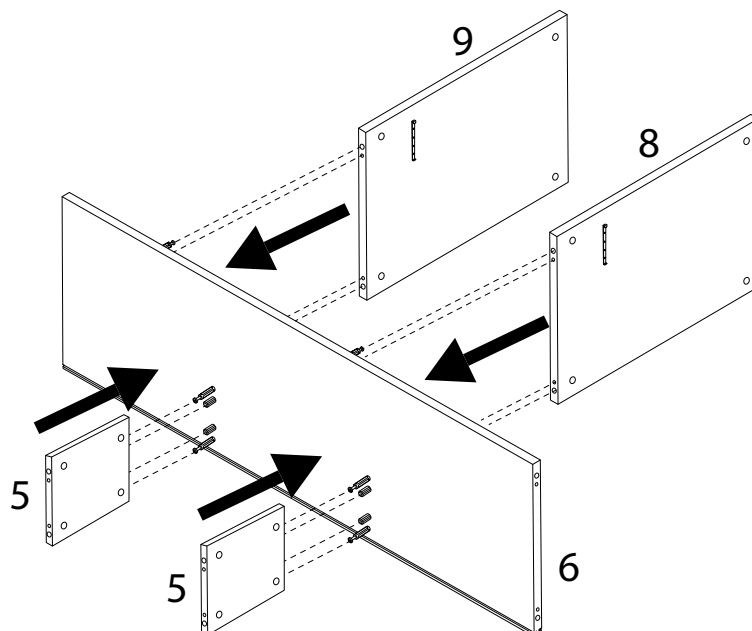
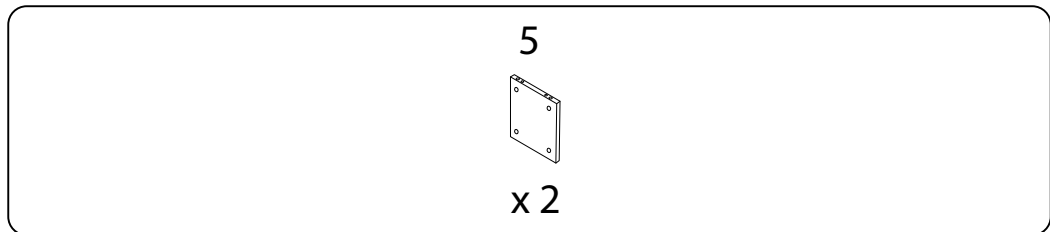
C

x 4



5

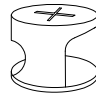


6

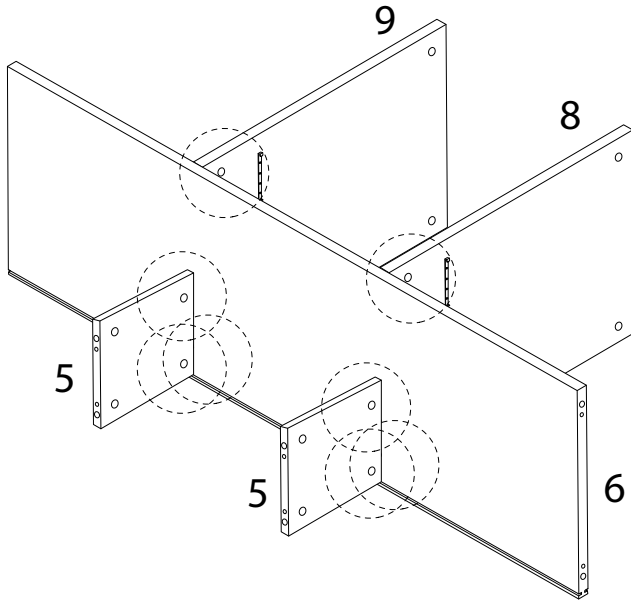


7

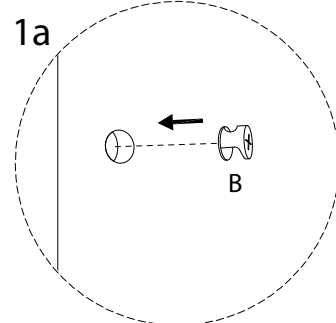
B



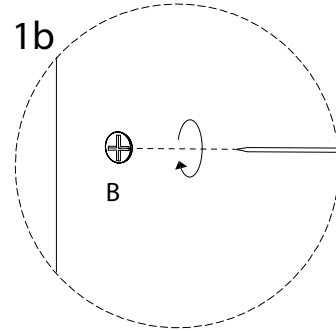
x 8



1a



1b



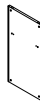
8

3



x 1

4

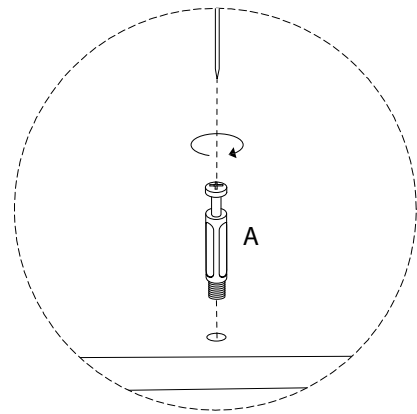
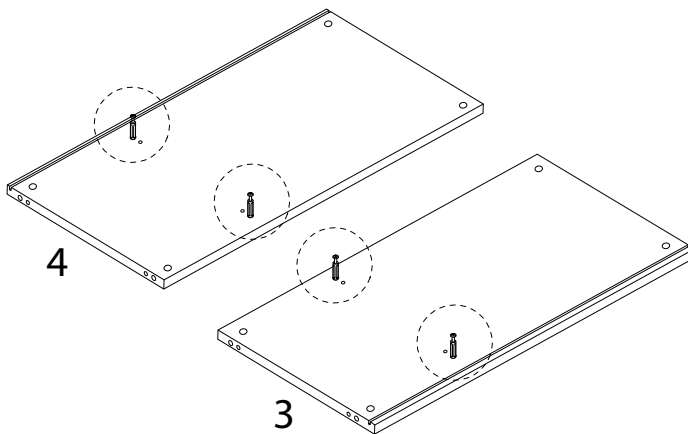


x 1

A



x 4

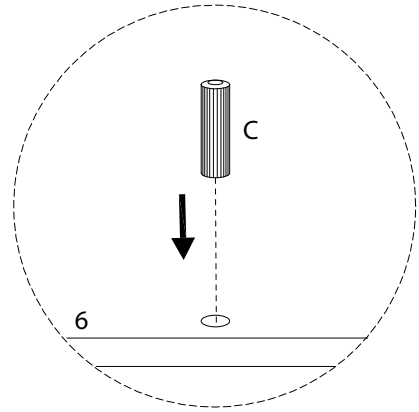
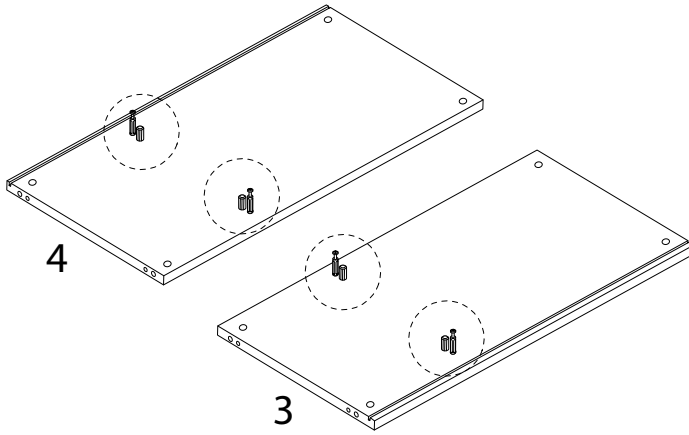


9

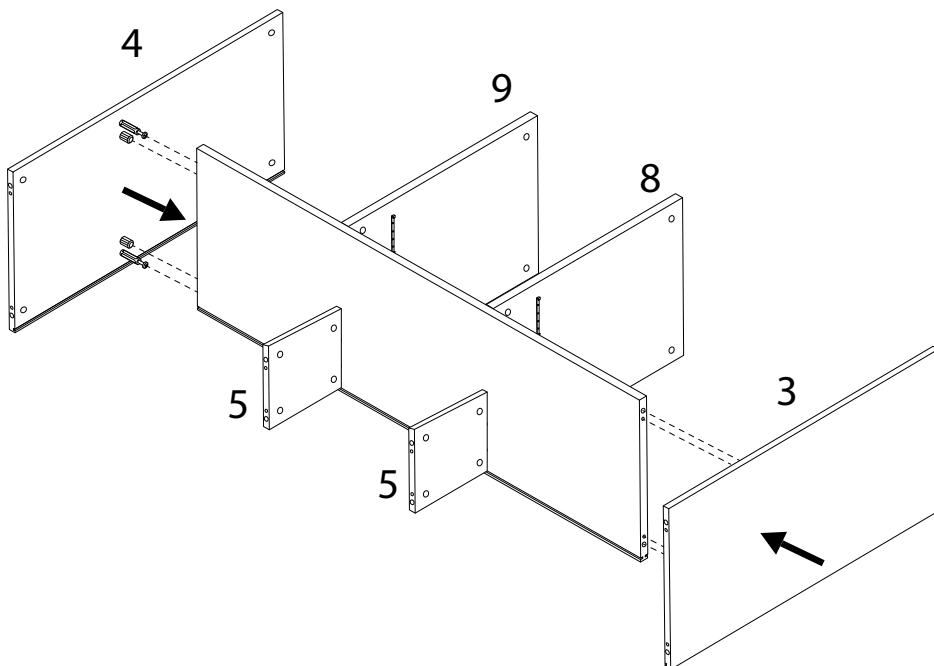
C



x 4



10

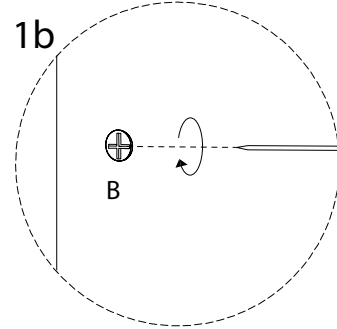
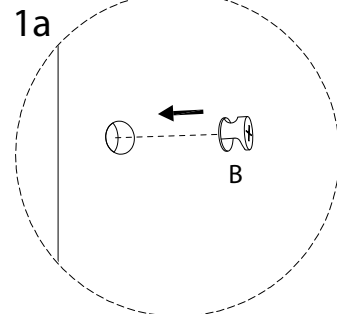
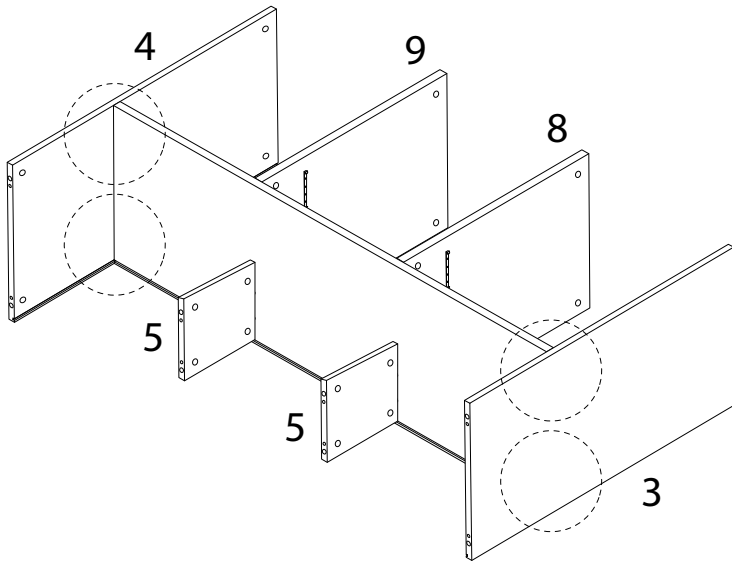


11

B

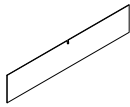


x 4



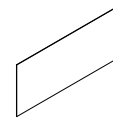
12

2

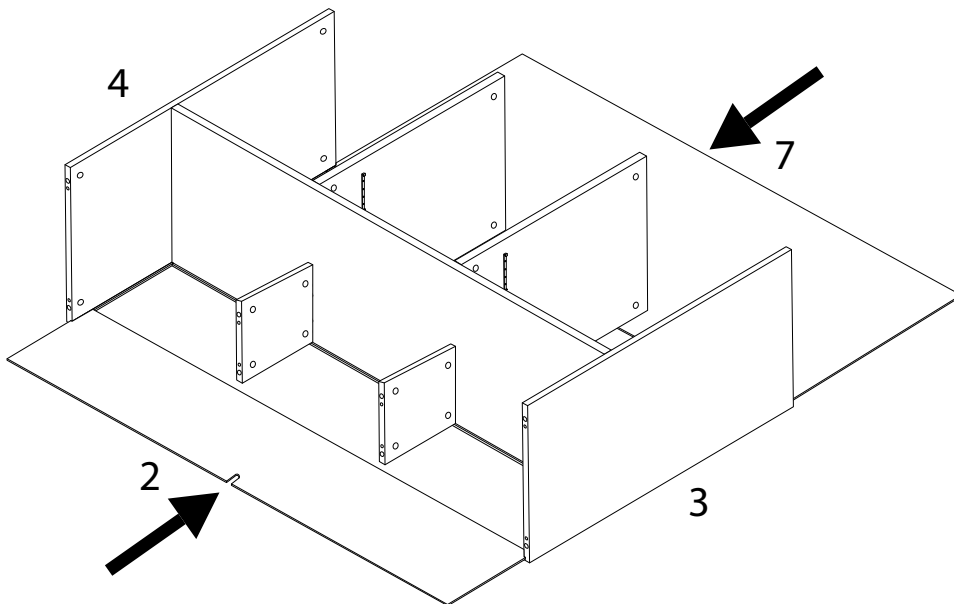


x 1

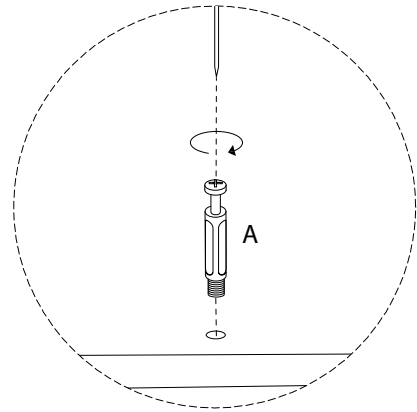
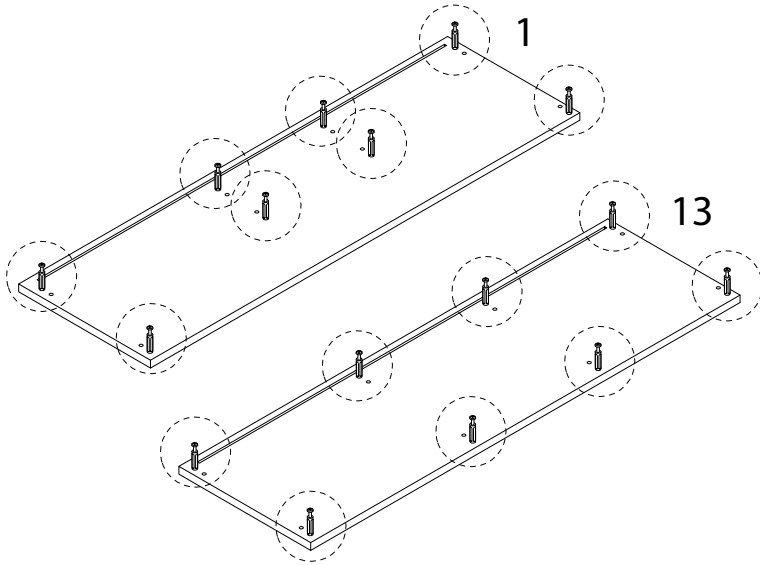
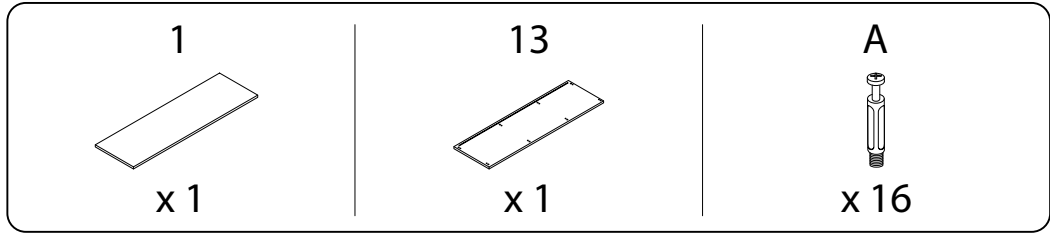
7



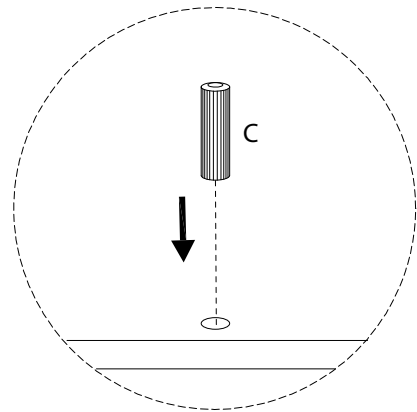
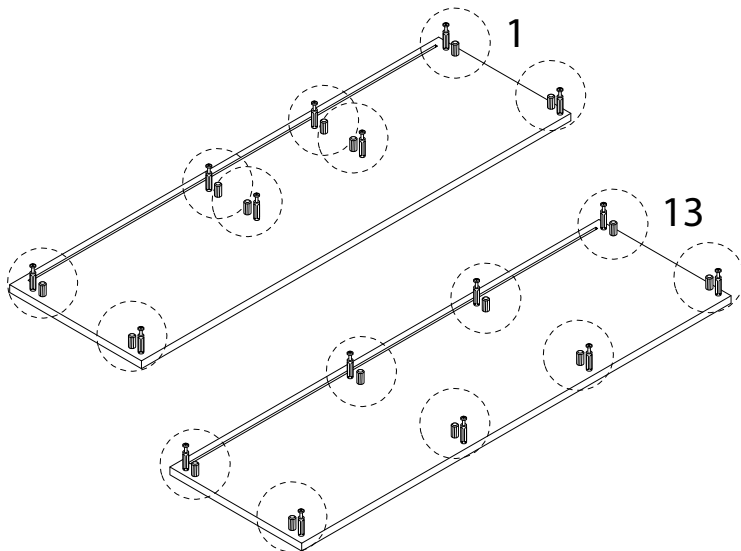
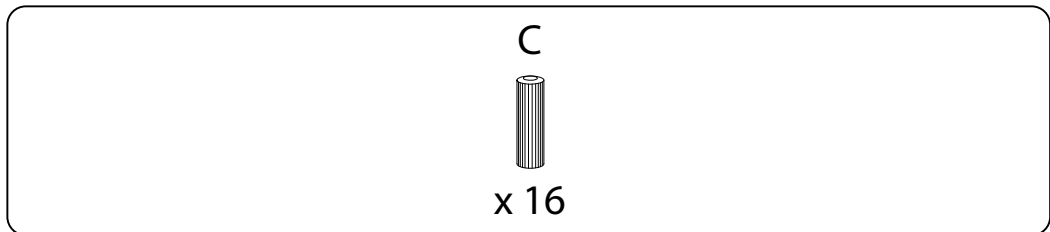
x 1



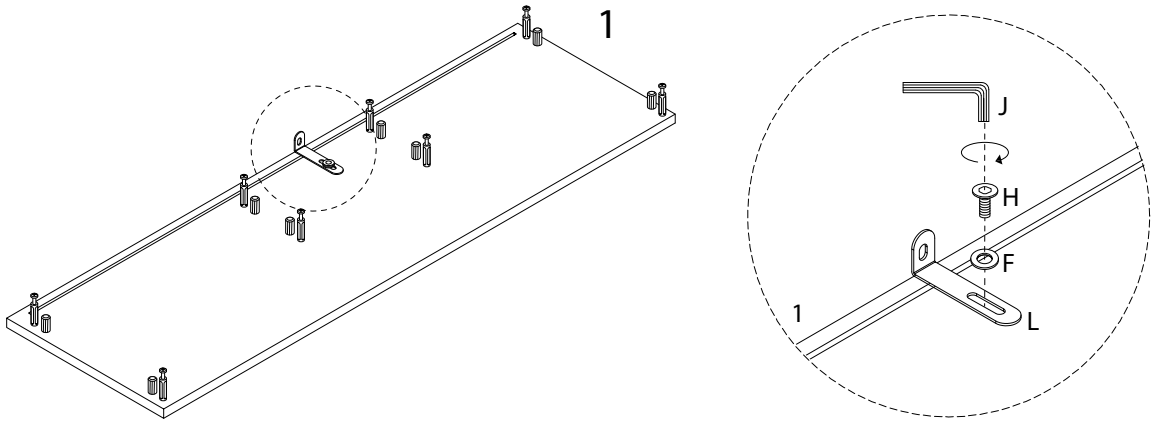
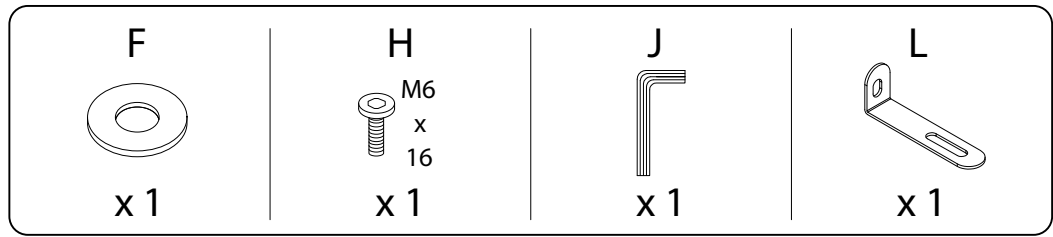
13



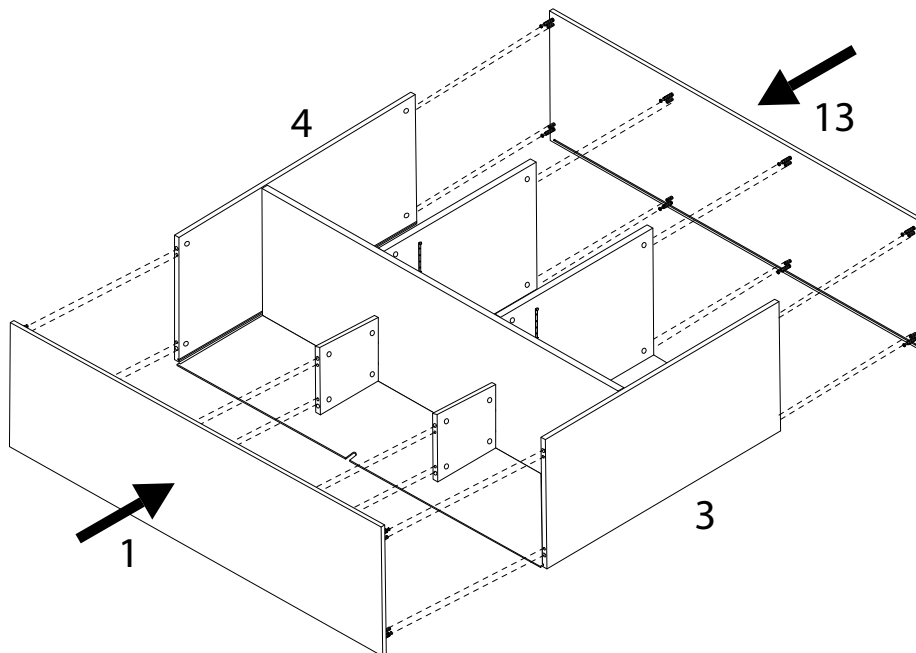
14



15



16

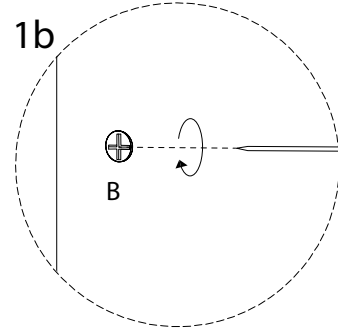
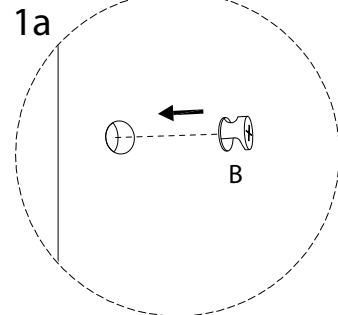
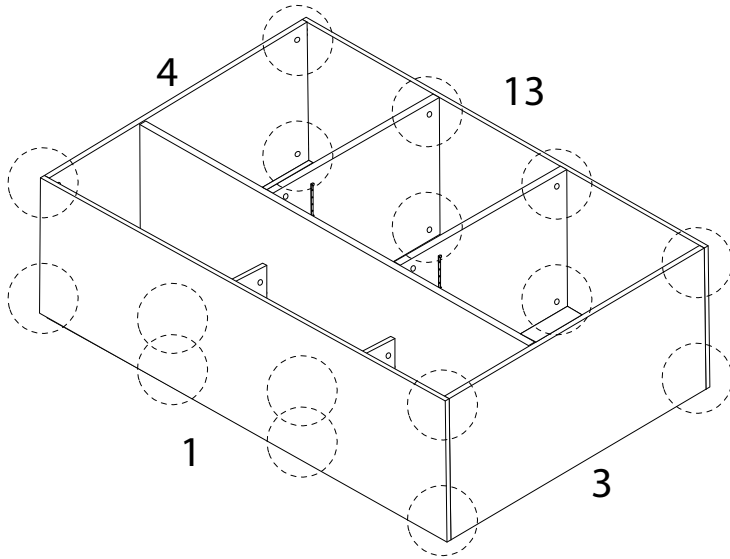


17

B

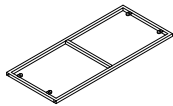


x 16



18

14



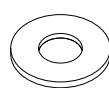
x 1

15



x 4

F



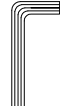
x 8

H

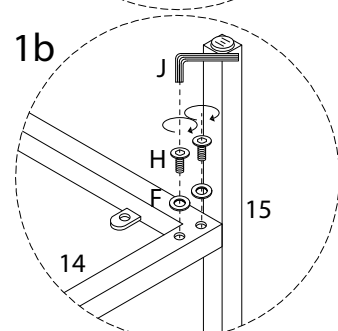
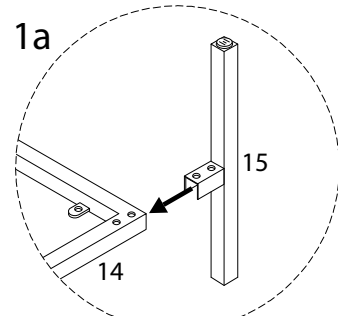
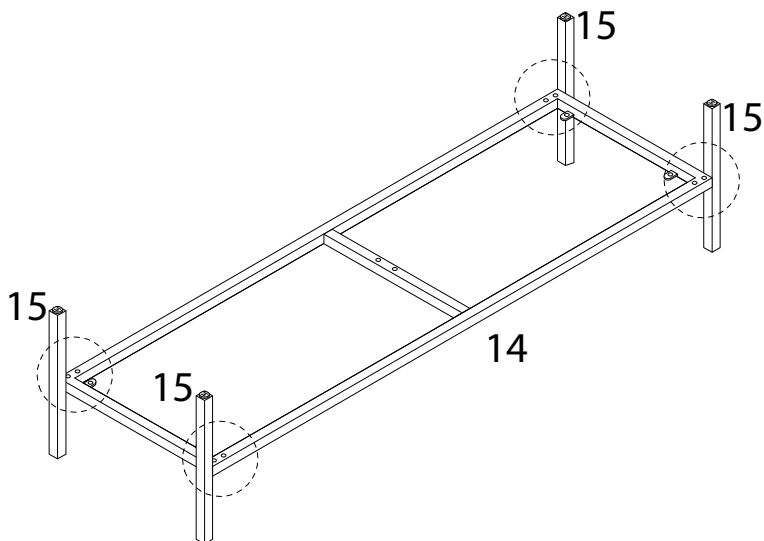


x 8

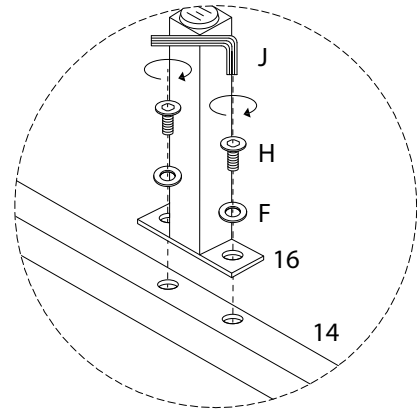
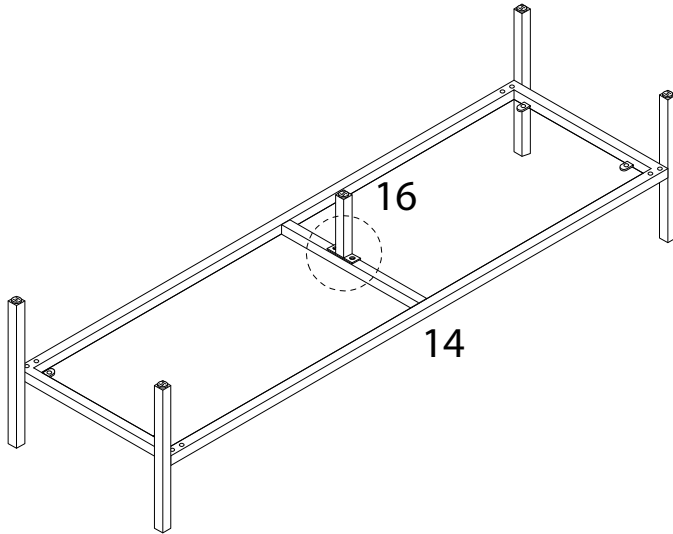
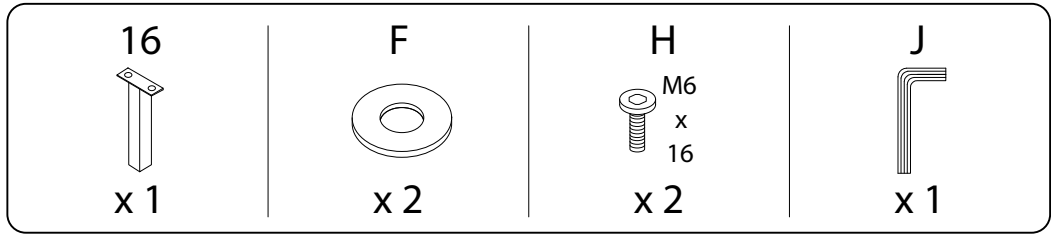
J



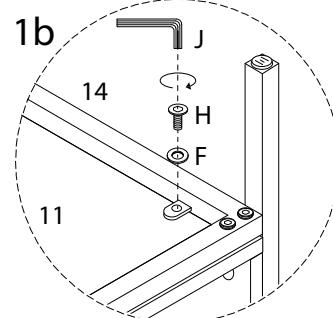
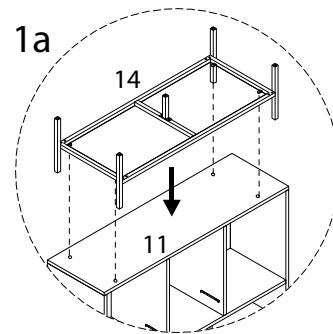
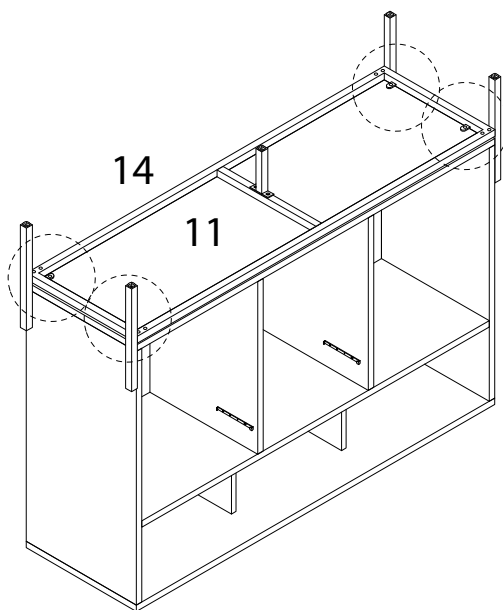
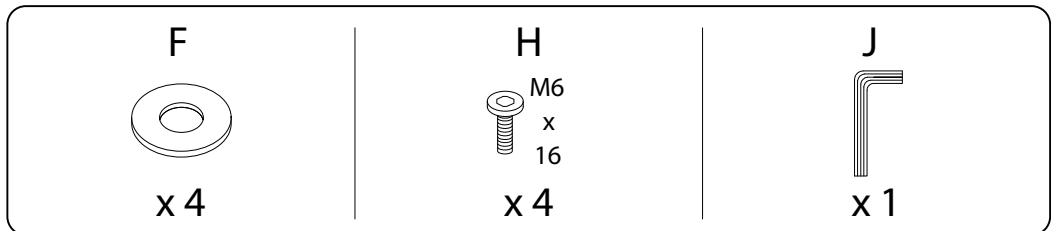
x 1



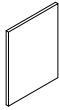
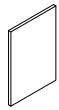
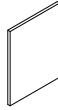
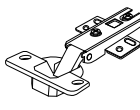

19

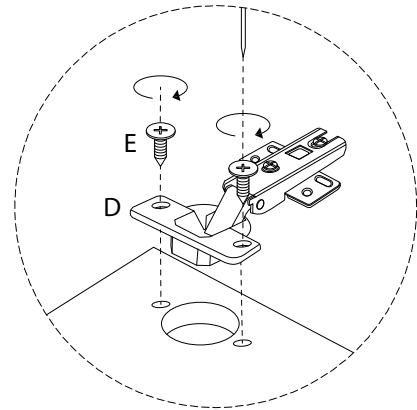
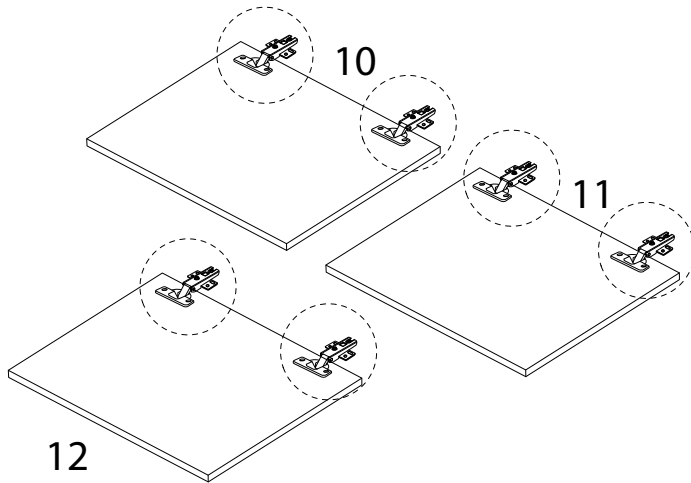


20




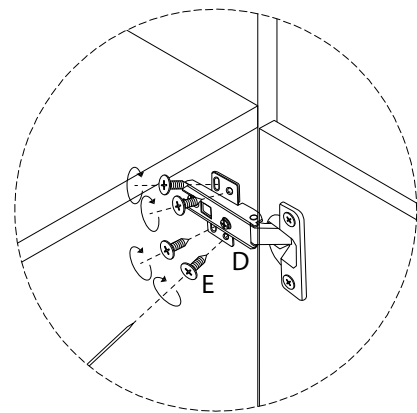
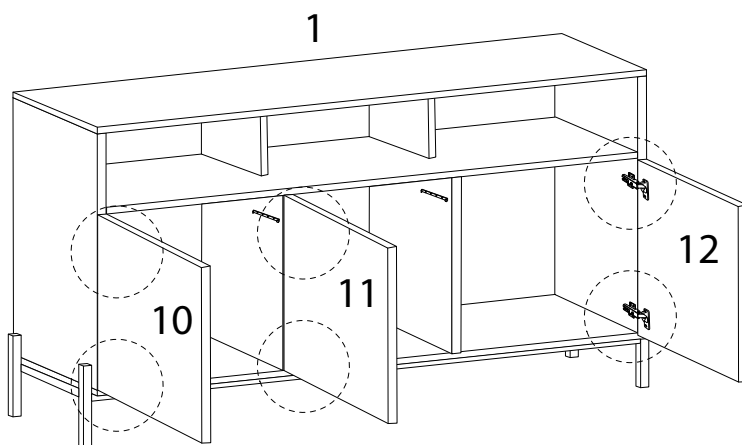
21

10  x 1	11  x 1	12  x 1	D  x 6	E  M4 x 14 x 12
--	--	--	---	---



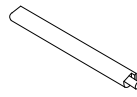
22

E  M4 x 14 x 24

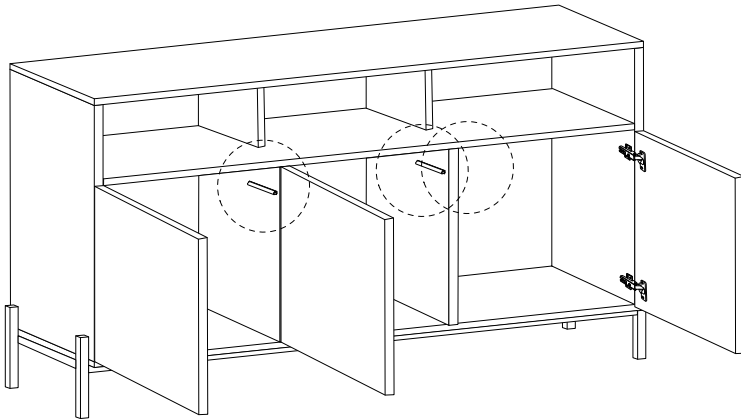


23

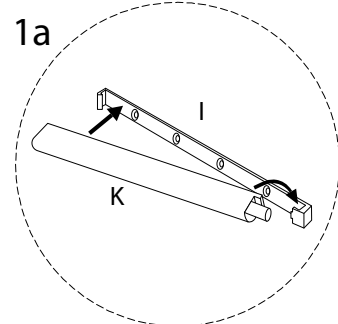
K



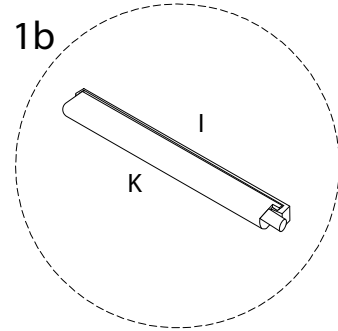
x 3



1a



1b



24

E

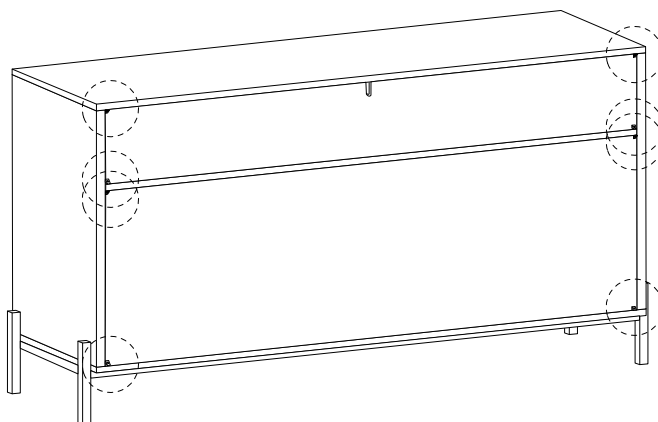


x 8

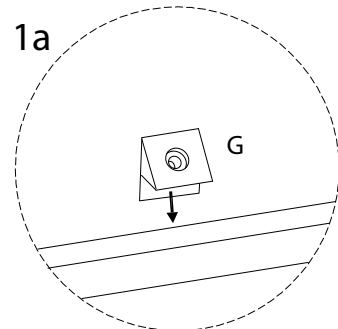
G



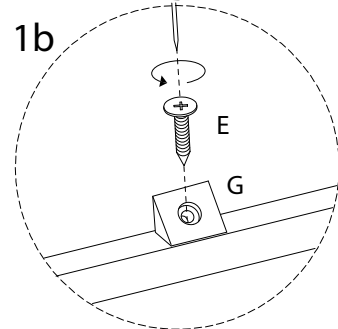
x 8



1a



1b



25

