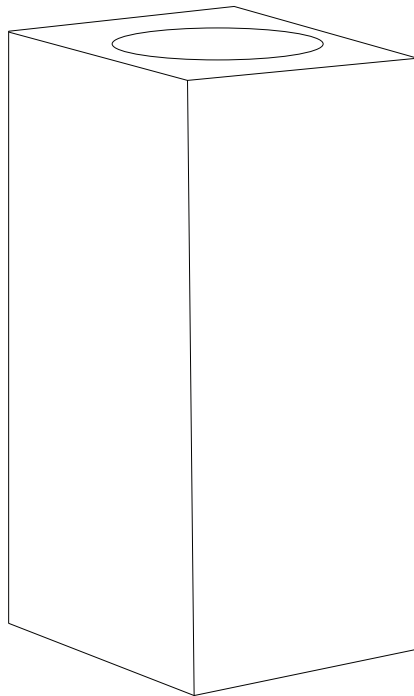
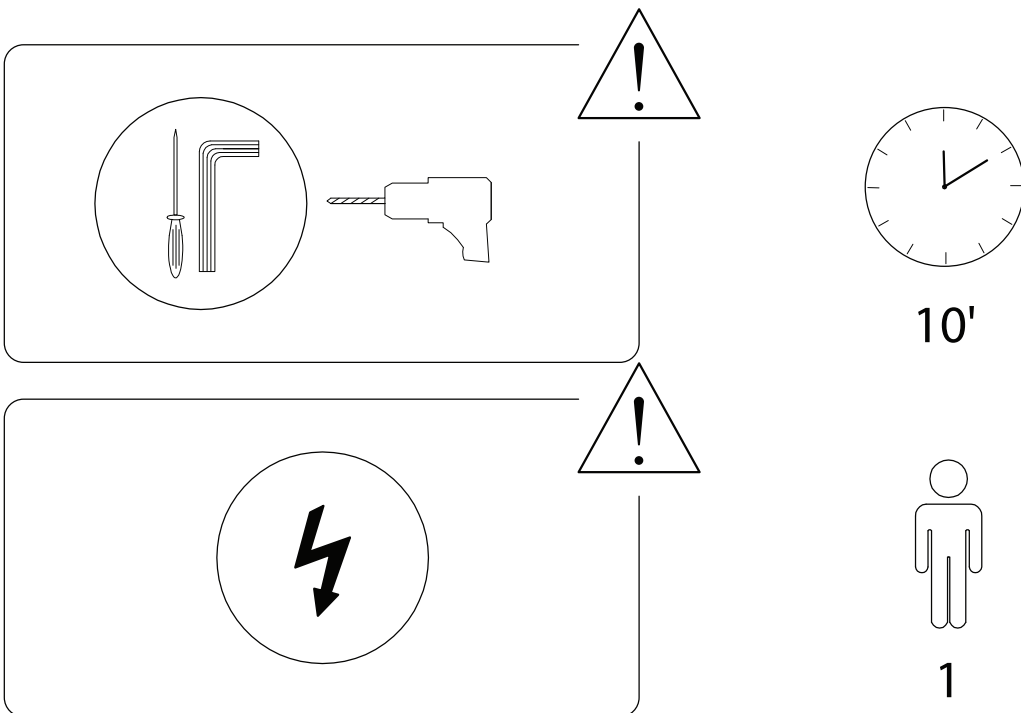
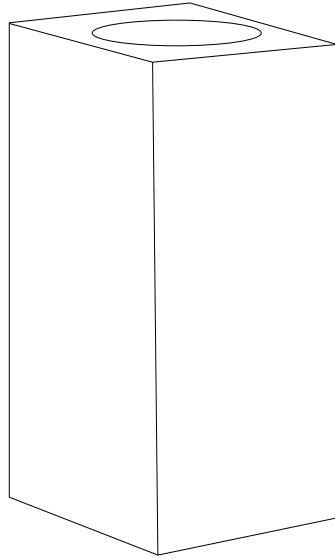


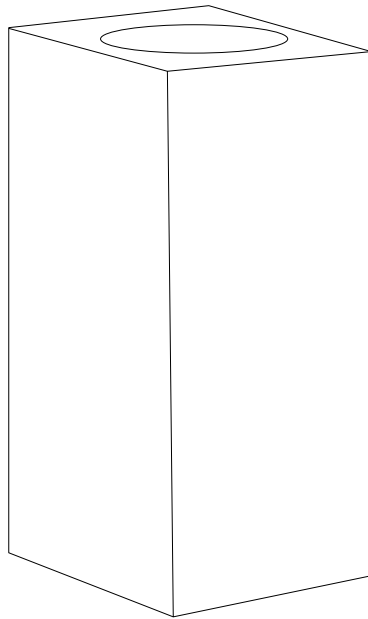
ANDREWS



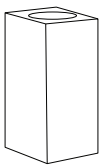


1/4

A

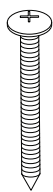


A



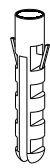
x 1

B



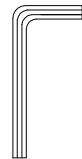
x 2

C



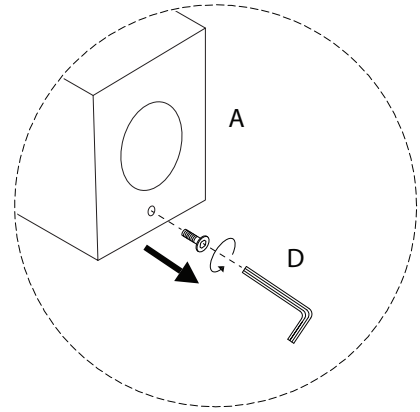
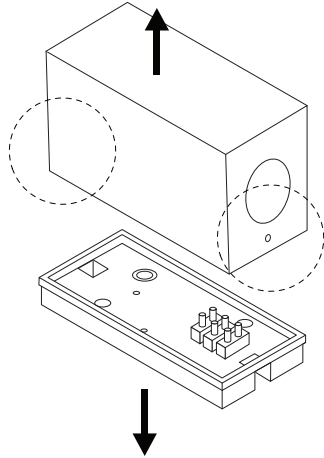
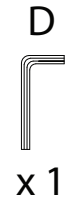
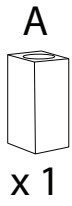
x 2

D

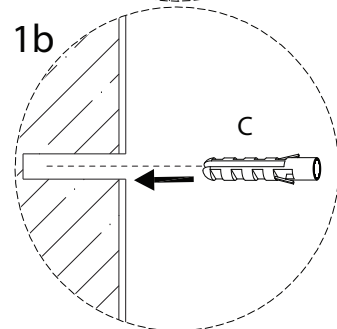
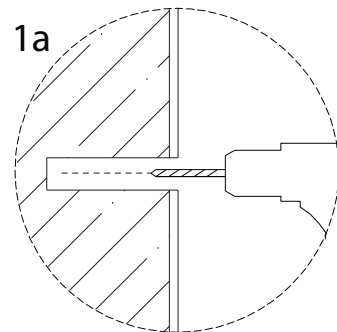
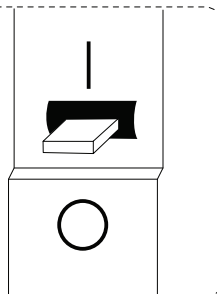
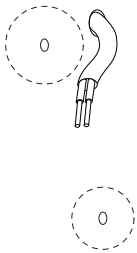


x 1

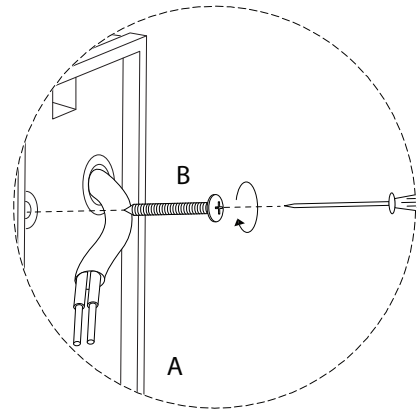
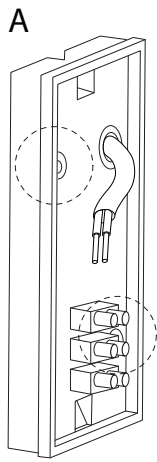
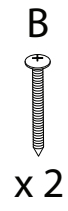
1



2



3



4

