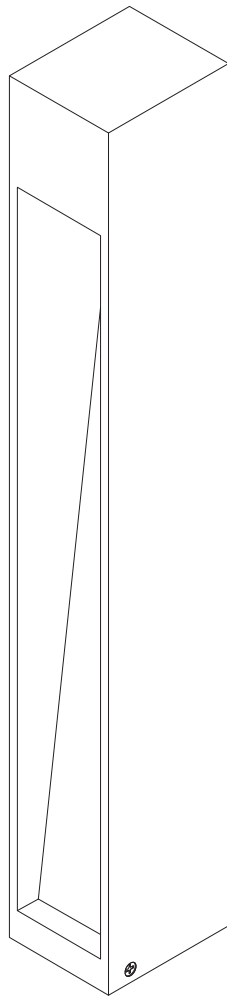
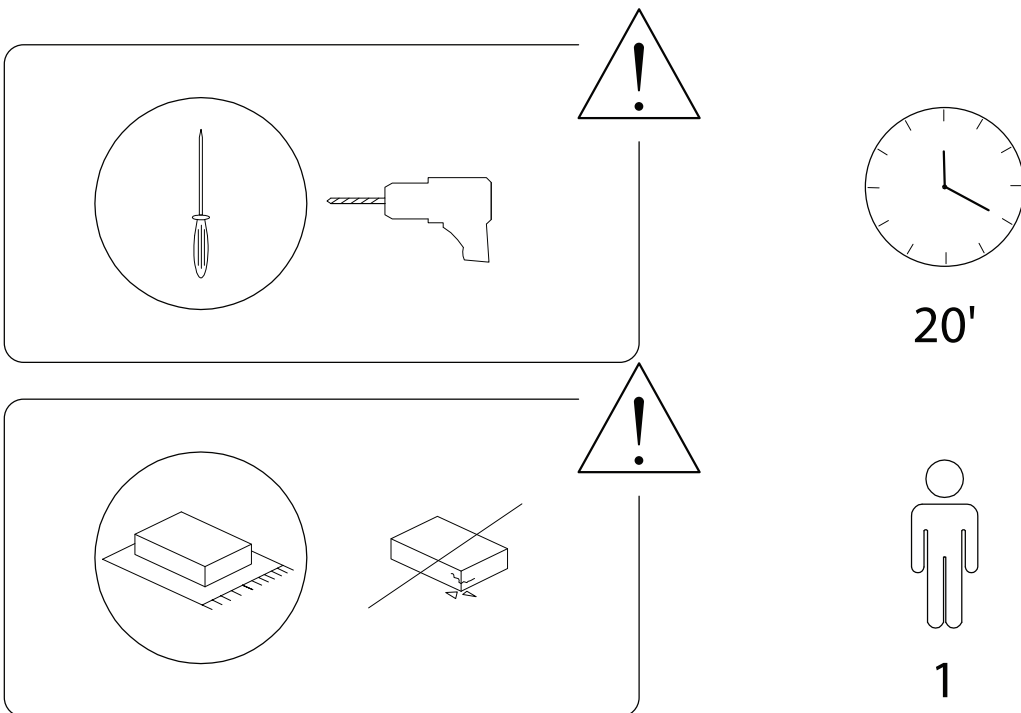
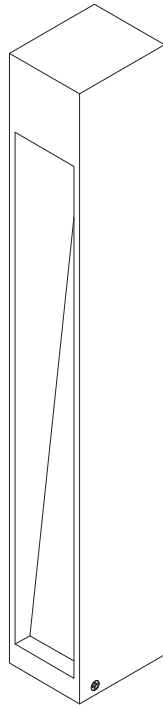
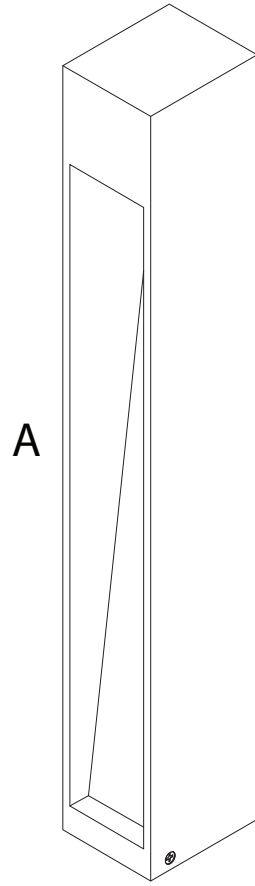


# SABINO

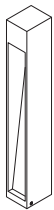




1/4

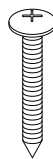


A



x 1

B



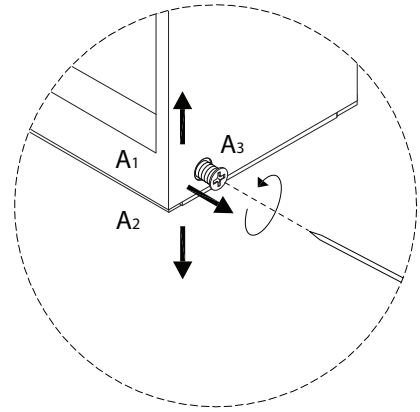
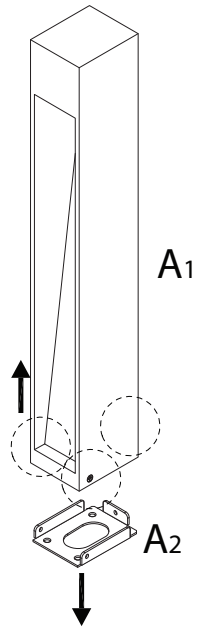
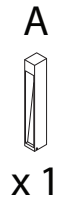
x 4

C

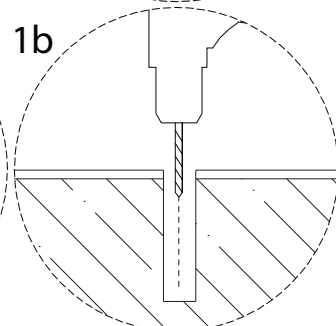
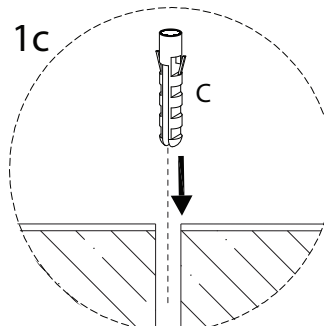
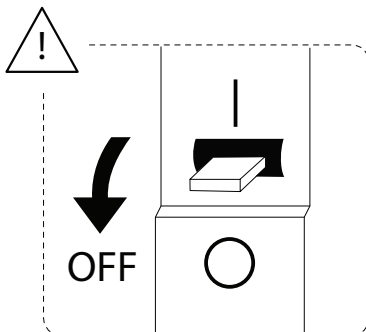
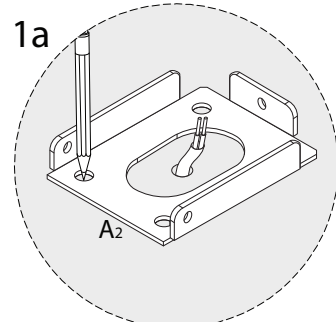
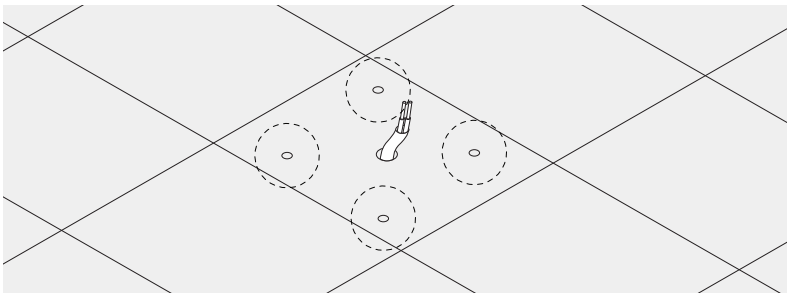


x 4

1

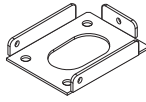


2



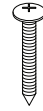
3

A<sub>2</sub>

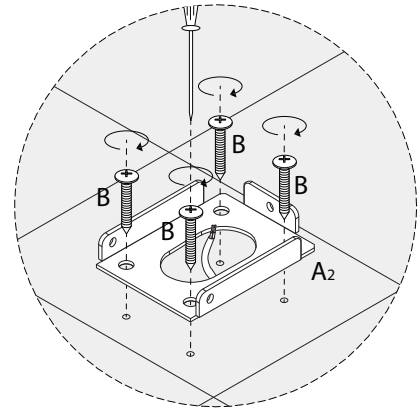
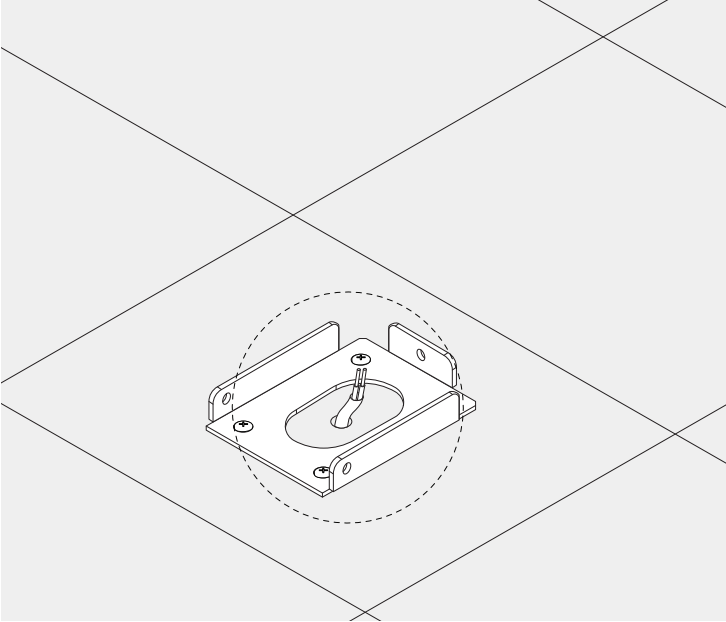


x 1

B



x 4



4

A<sub>1</sub>



x 1

A<sub>3</sub>



x 3

