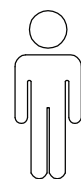
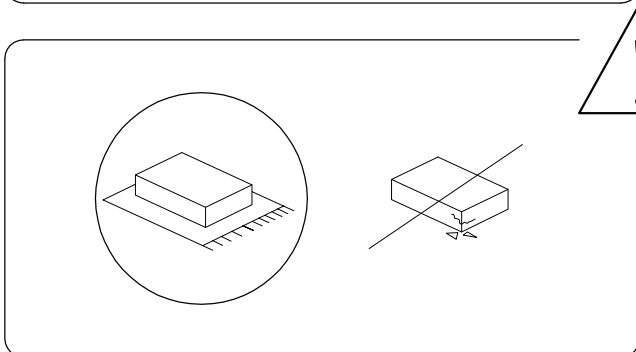
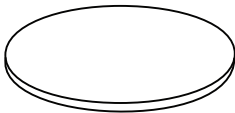
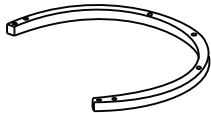
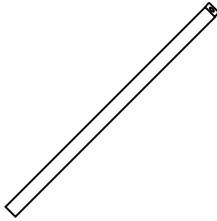
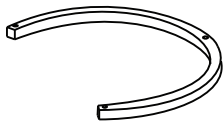


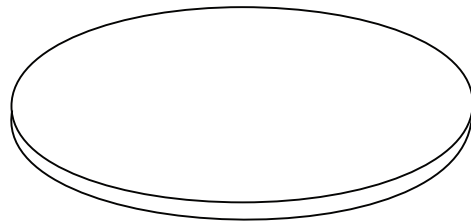
20'



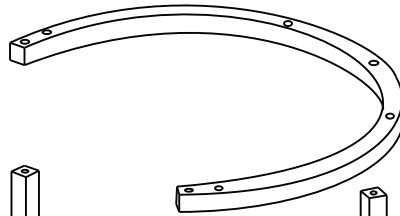
1

A

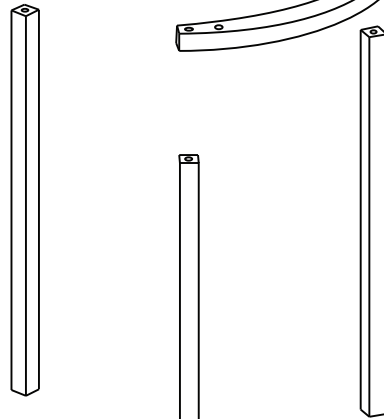
<p>A</p>  <p>x 1</p>	<p>B</p>  <p>x 1</p>	<p>C</p>  <p>x 3</p>	<p>D</p>  <p>x 1</p>
---	---	--	---



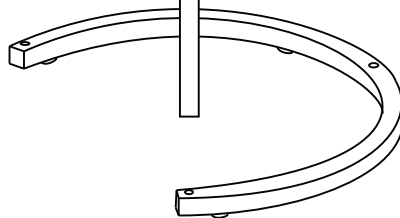
A x 1



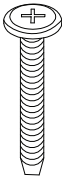

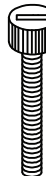
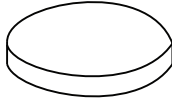
B x 1



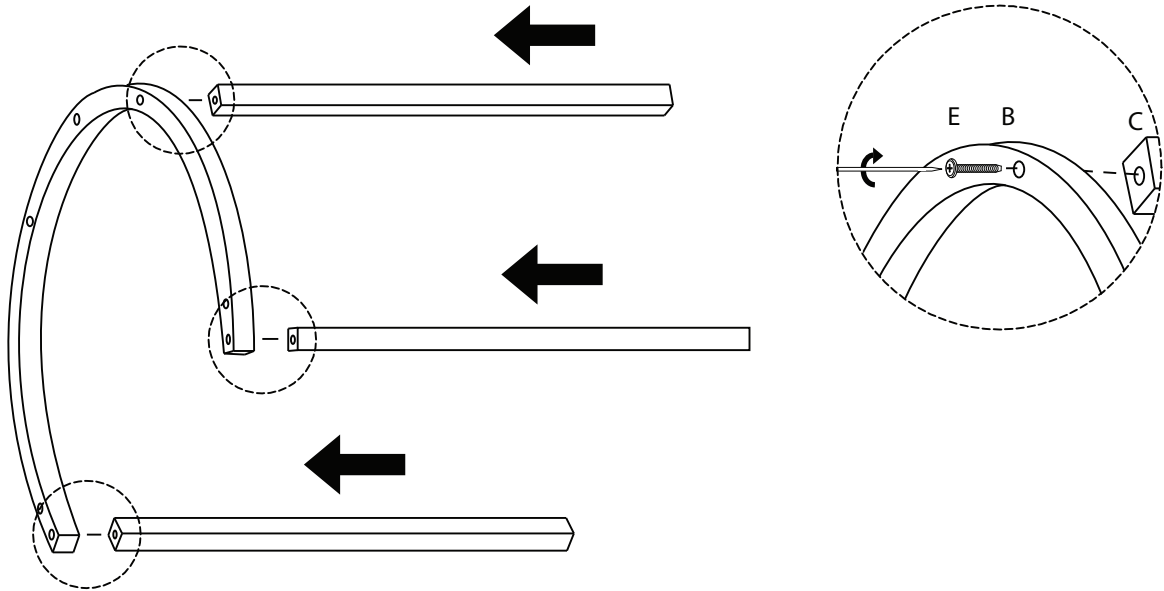
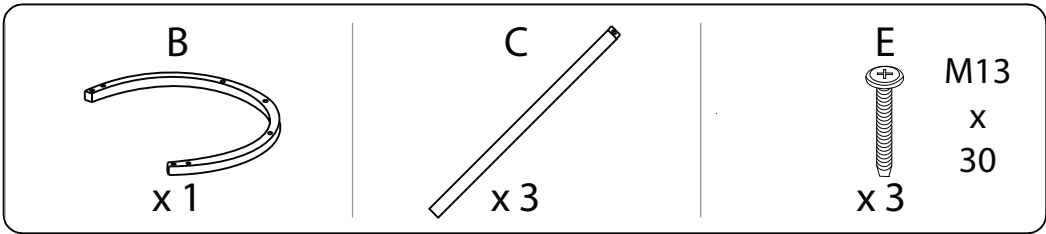
C x 3



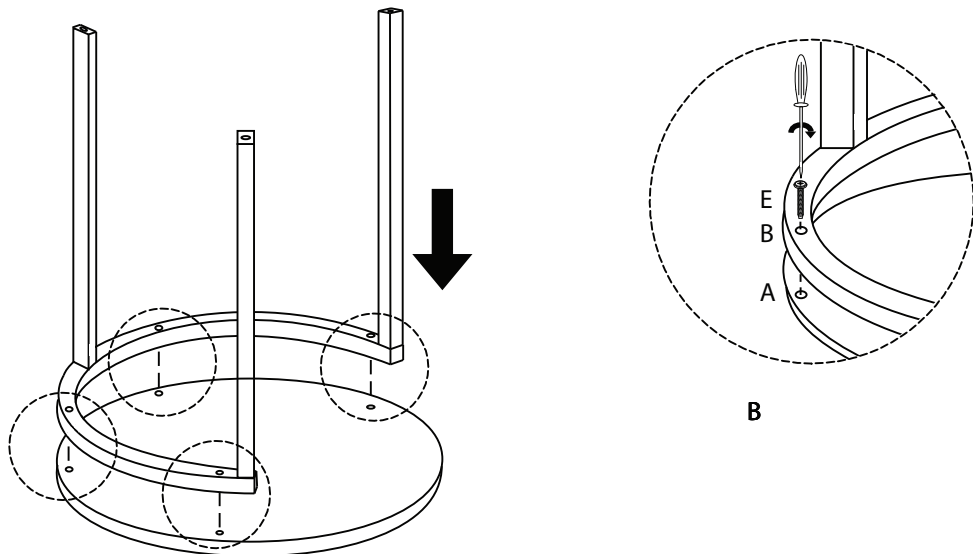
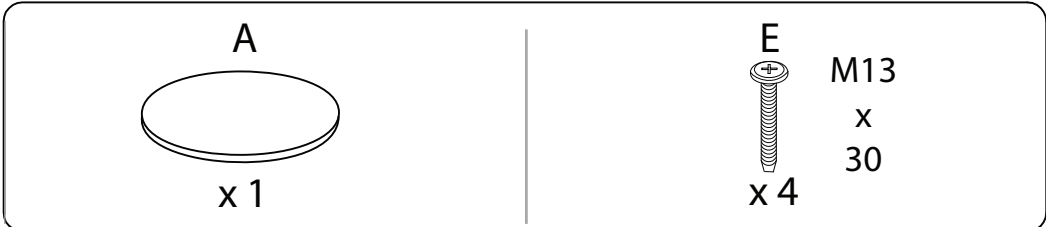
D x 1

<p>E</p>  <p>M13 x 30</p> <p>x 8</p>	<p>F</p>  <p>M16 x 12</p> <p>x 2</p>	<p>G</p>  <p>M20 x 50</p> <p>x 2</p>	<p>H</p>  <p>x 3</p>
---	---	---	---

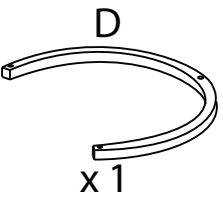
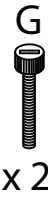
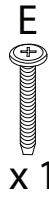

1

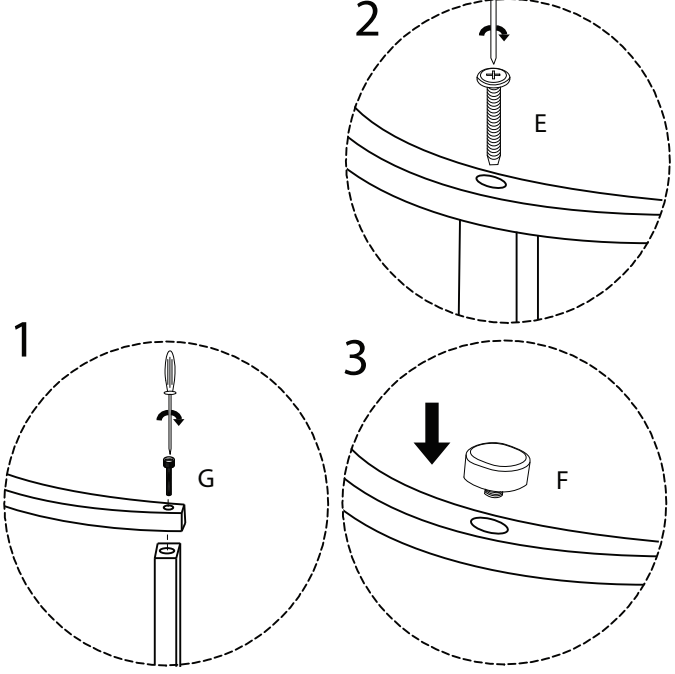
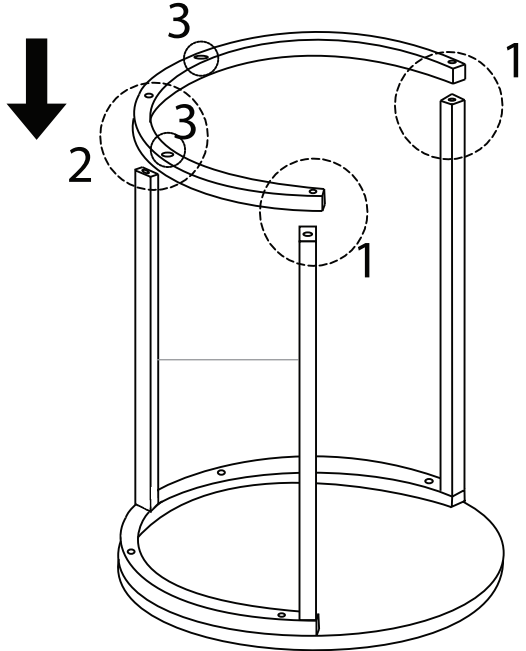


2

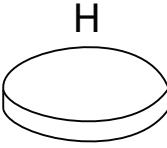


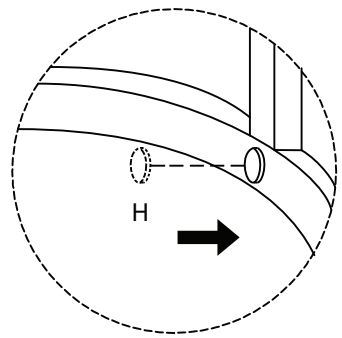
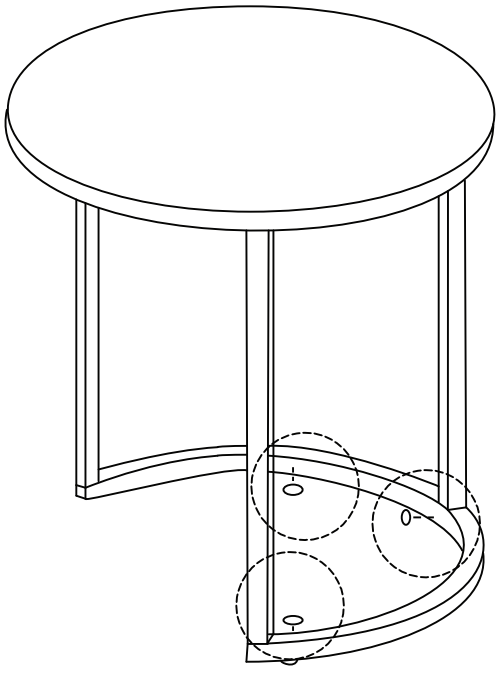
3

 <p>D x1</p>	 <p>G M20 x 50 x2</p>	 <p>E M13 x 30 x1</p>	 <p>F M16 x 12 x2</p>
---	--	---	--

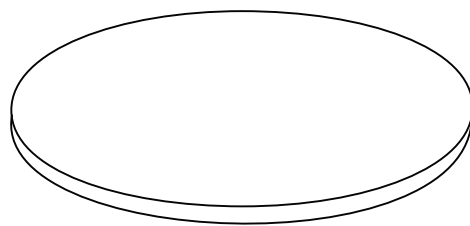
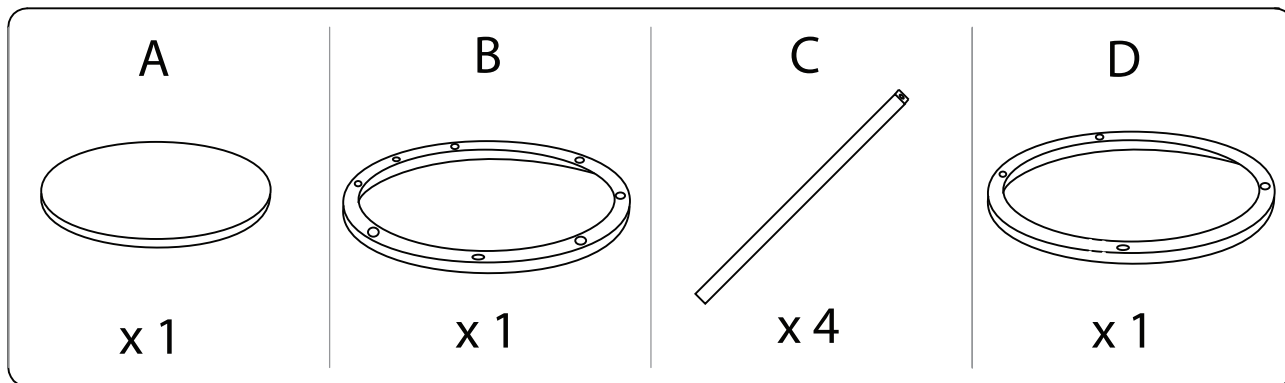


4

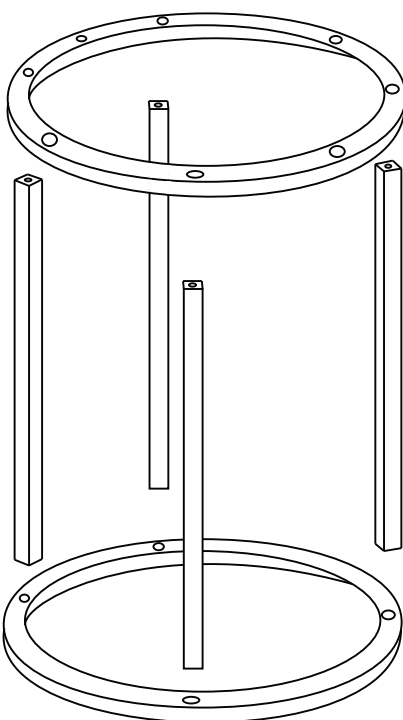
 <p>H x3</p>



B



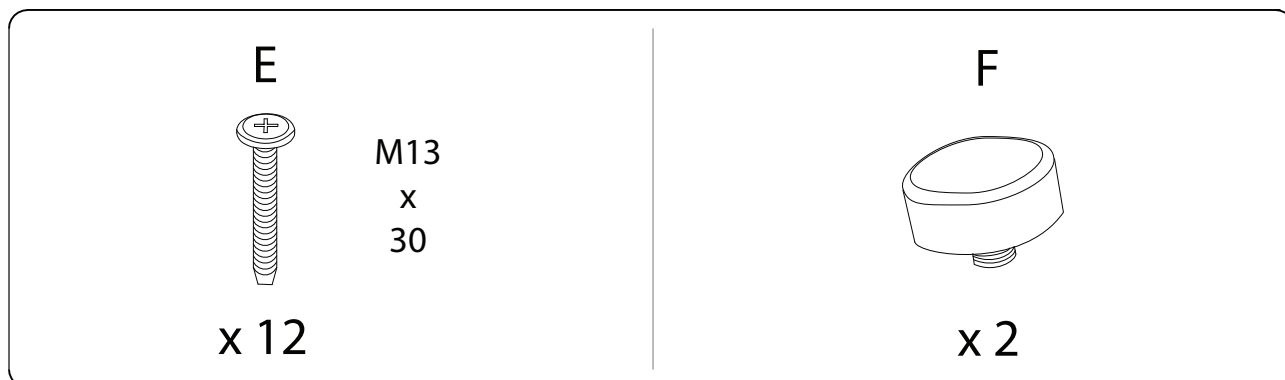
A x 1



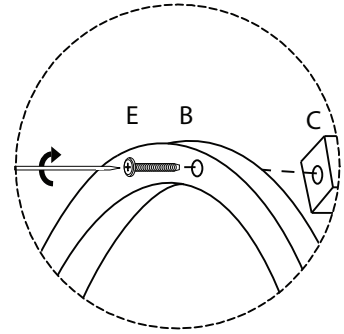
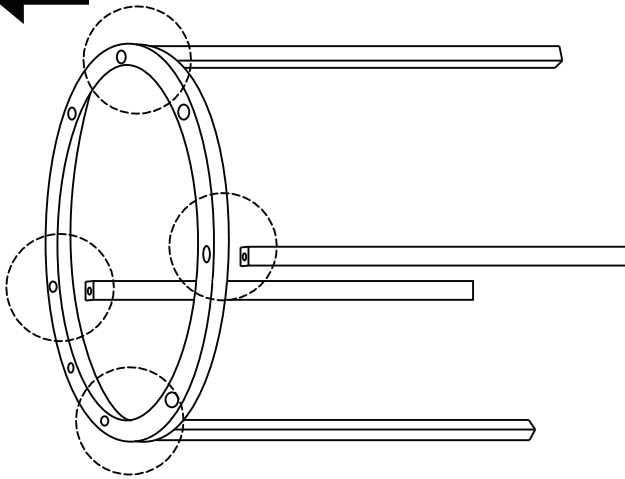
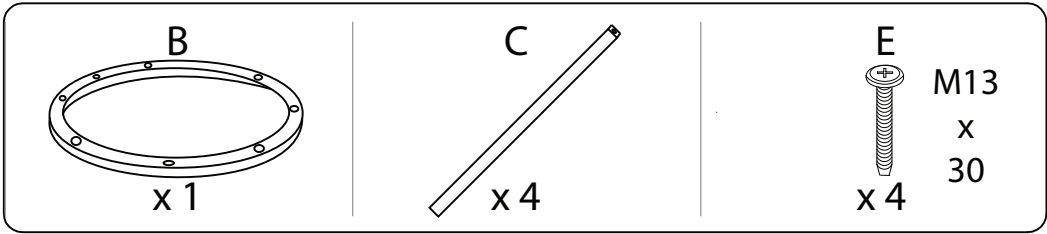
B x 1

C x 4

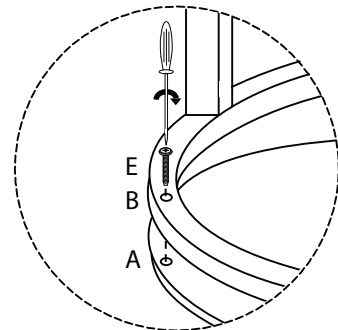
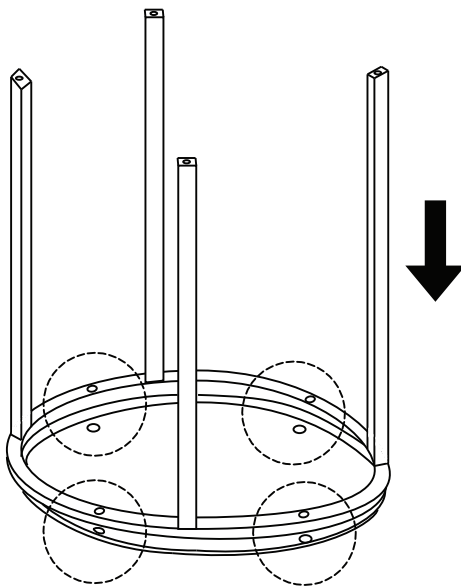
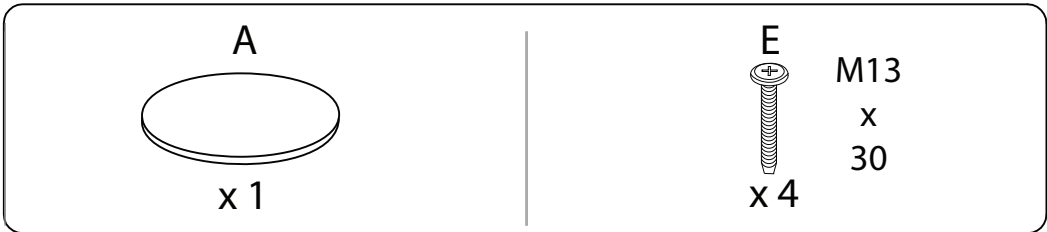
D x 1



1



2



3

