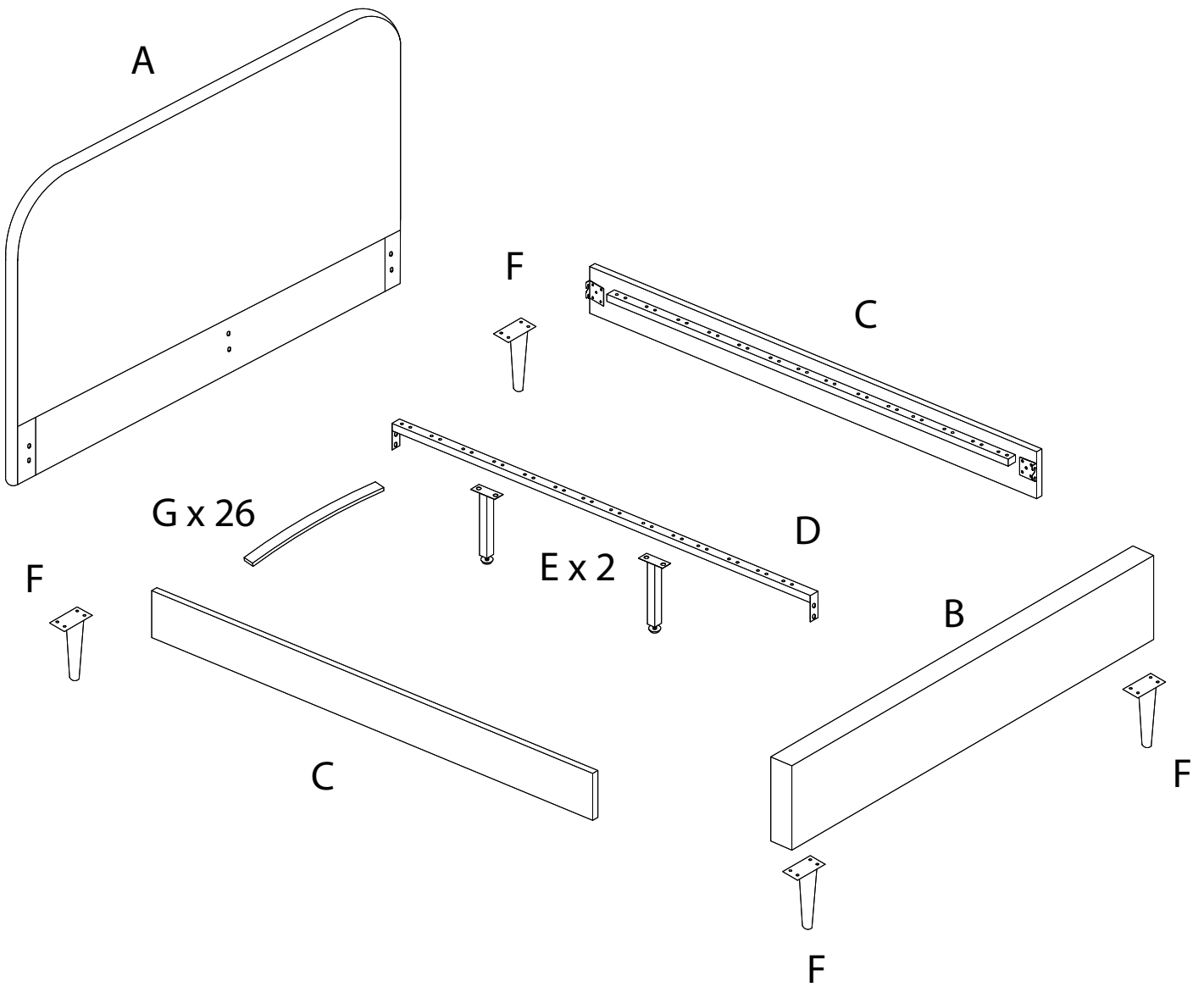
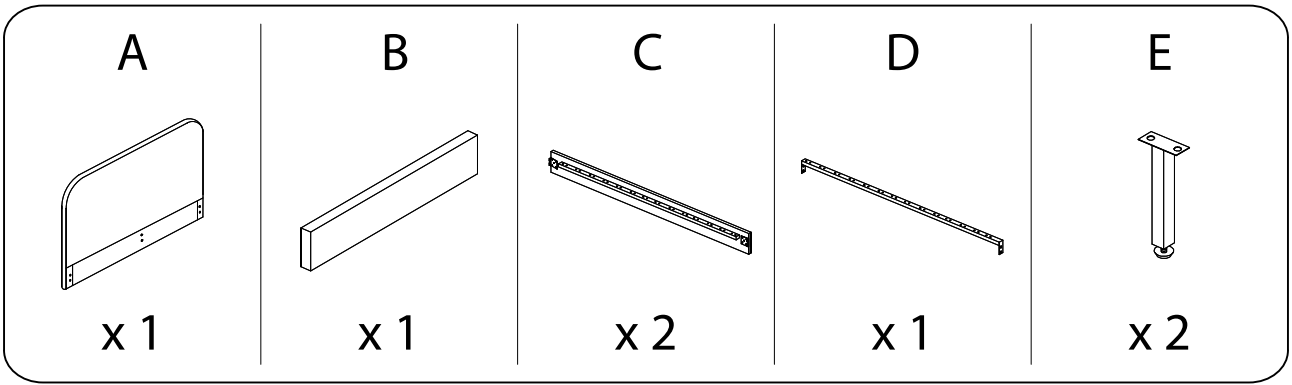
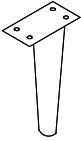
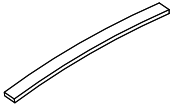
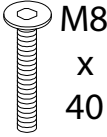
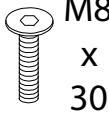
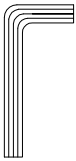
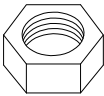
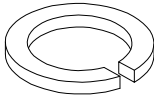
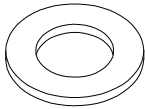
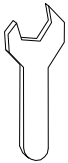

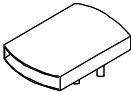
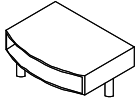


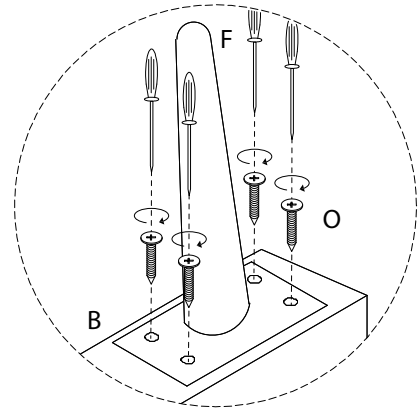
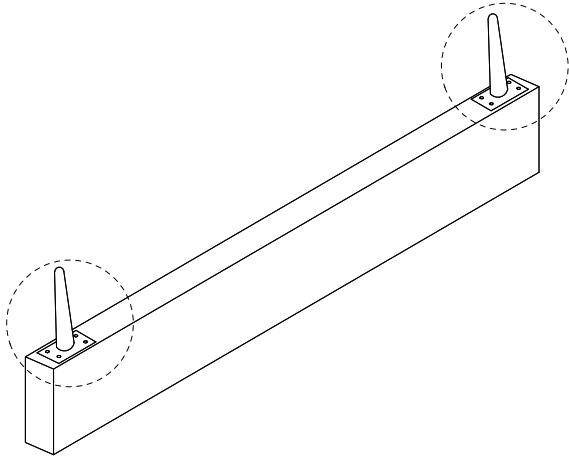
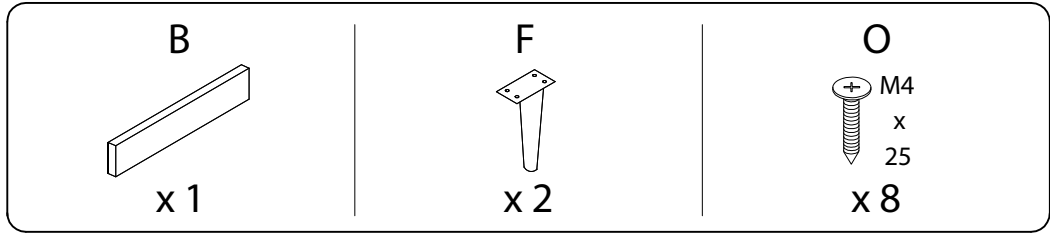
Assembly instructions for step 1/7:

- Tools:** A circle containing a screwdriver, a wrench, and an Allen key. A power drill is shown with a diagonal line through it, indicating it should not be used.
- Warning:** A triangle with an exclamation mark.
- Time:** A clock icon with the text "30'" below it, indicating an estimated assembly time of 30 minutes.
- Personnel:** A stick figure icon with the number "2" below it, indicating that two people are required for assembly.
- Diagram:** A circle showing a mattress being placed on the bed frame. A diagonal line through the mattress indicates it should not be placed on the frame.
- Warning:** A triangle with an exclamation mark.

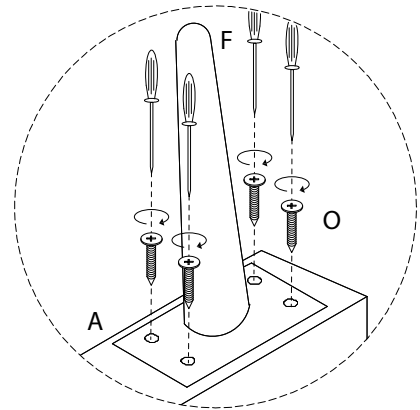
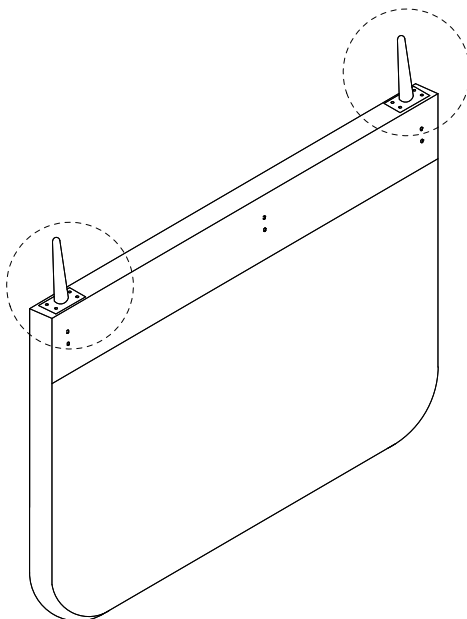
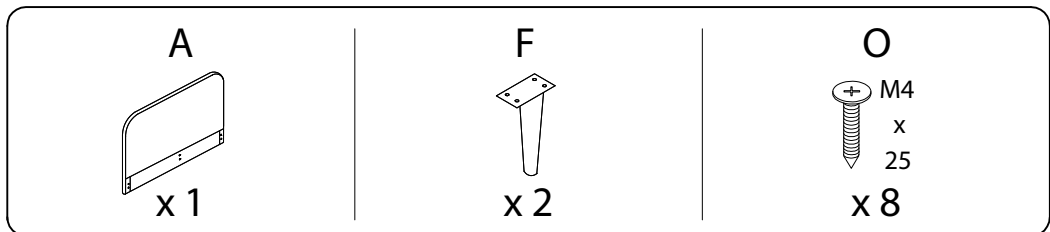


<p>F</p>  <p>x 4</p>	<p>G</p>  <p>x 26</p>	<p>H</p>  <p>M8 x 40</p> <p>x 4</p>	<p>I</p>  <p>M8 x 30</p> <p>x 12</p>
<p>J</p>  <p>x 1</p>	<p>K</p>  <p>x 4</p>	<p>L</p>  <p>x 16</p>	<p>M</p>  <p>x 16</p>
<p>N</p>  <p>x 1</p>	<p>O</p>  <p>M4 x 25</p> <p>x 16</p>	<p>P</p>  <p>x 13</p>	<p>Q</p>  <p>x 26</p>

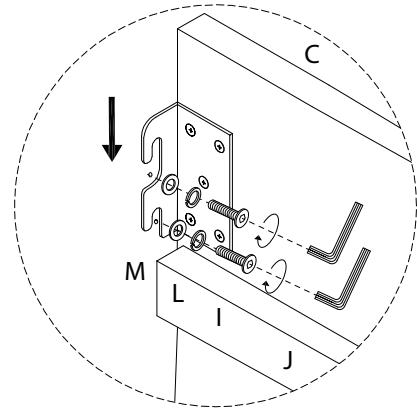
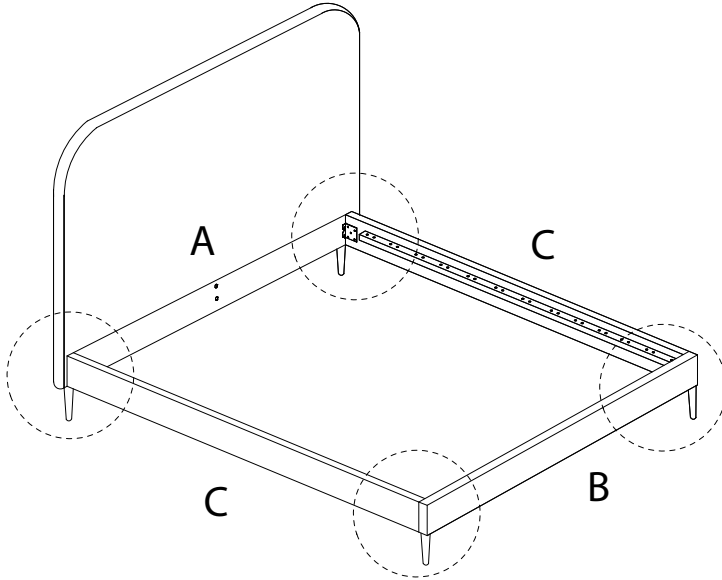
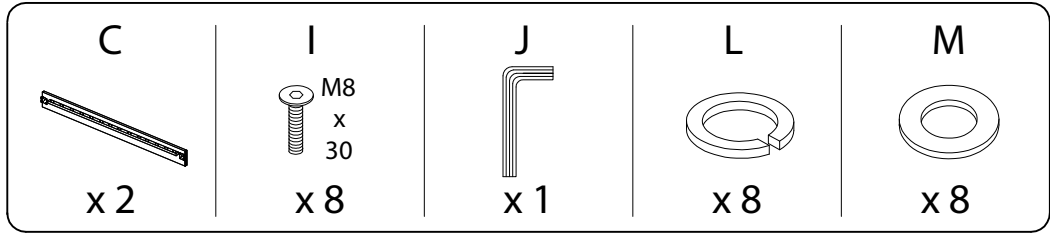
1



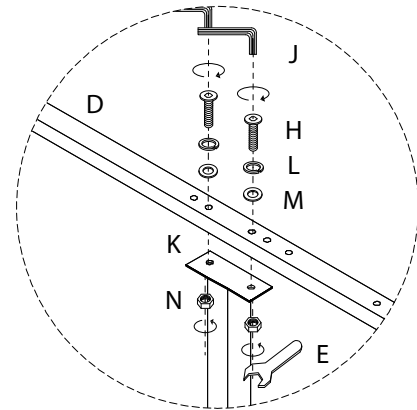
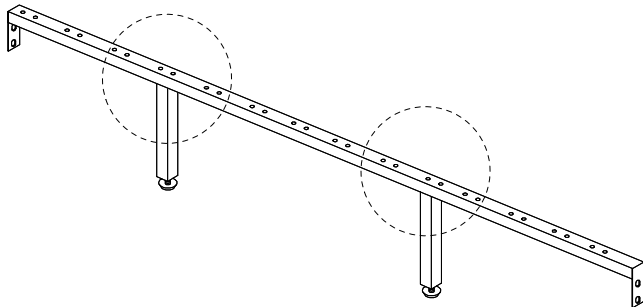
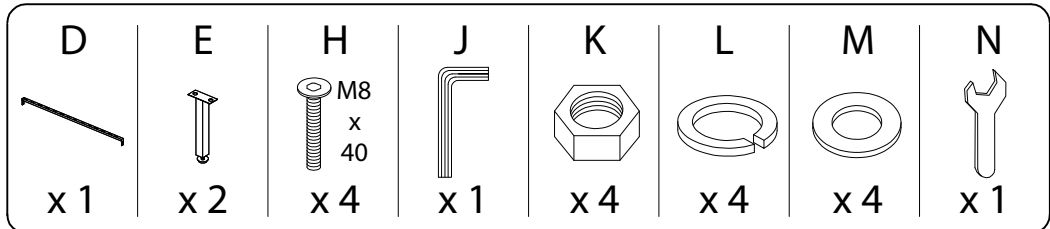
2



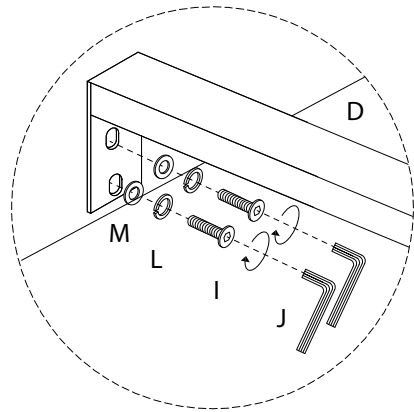
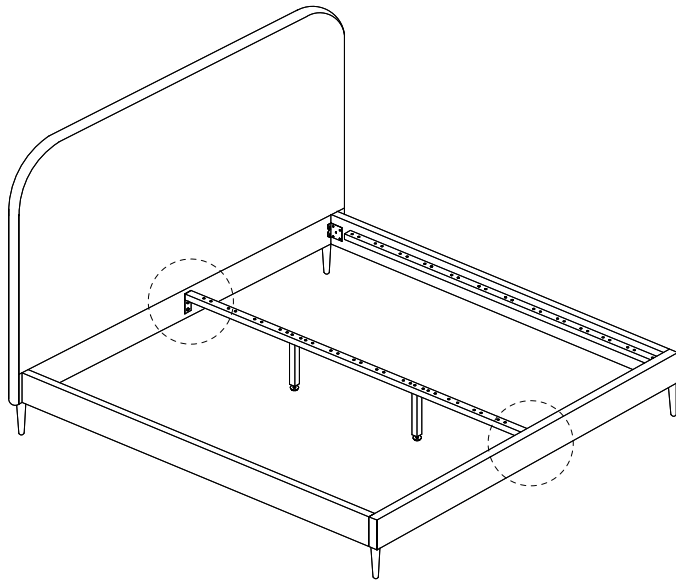
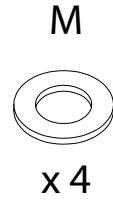
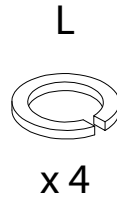
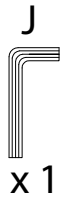
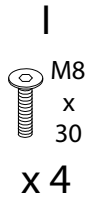
3



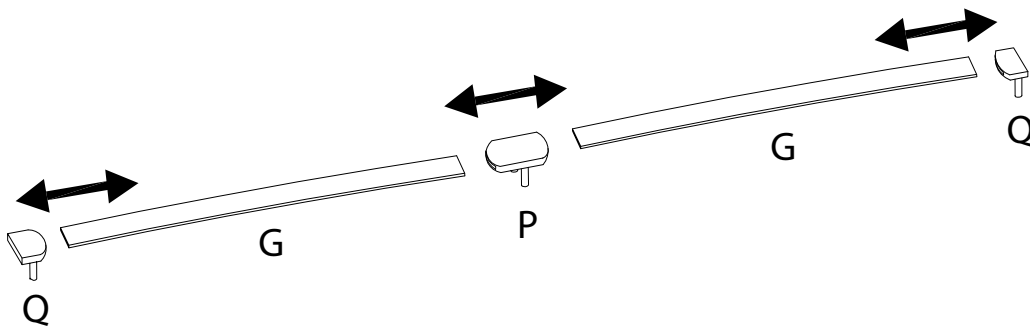
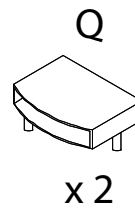
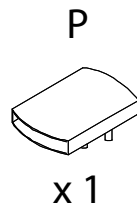
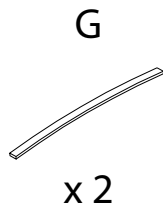
4



5



6 x 13



7 x 13

