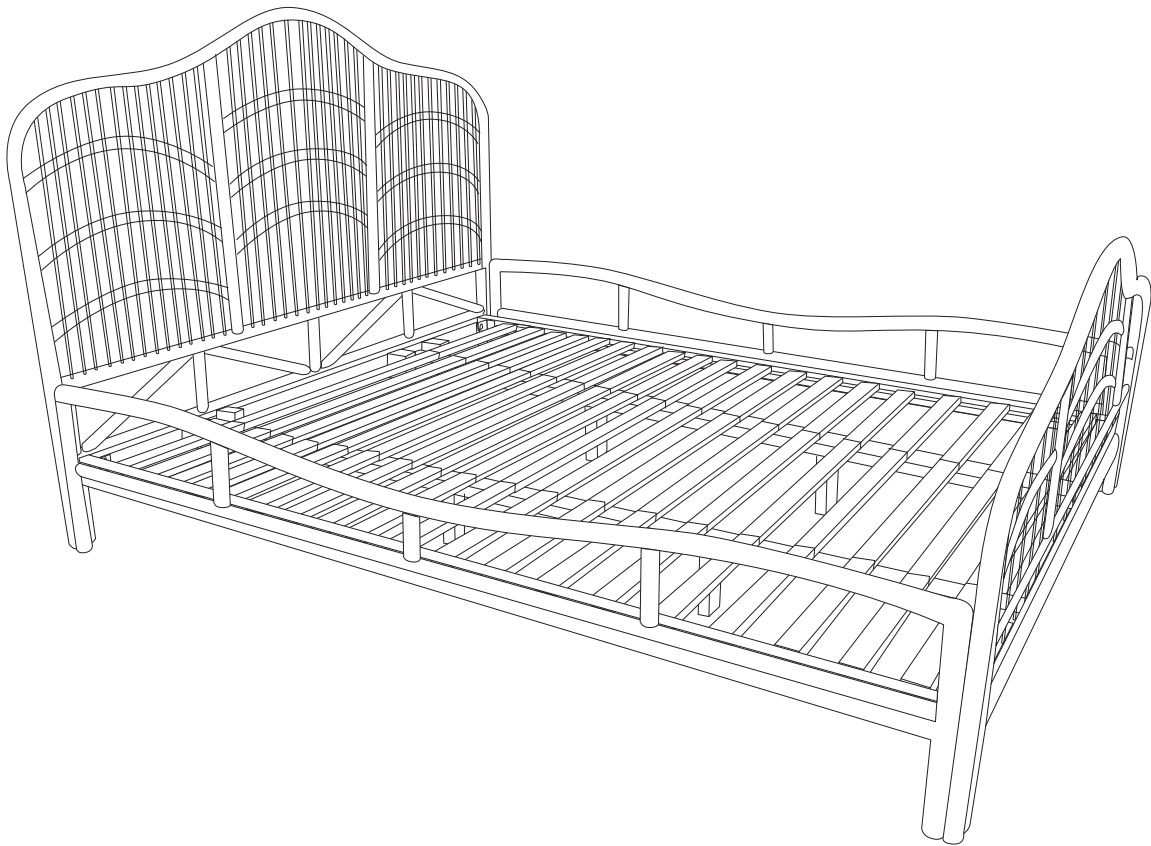
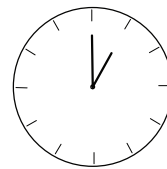
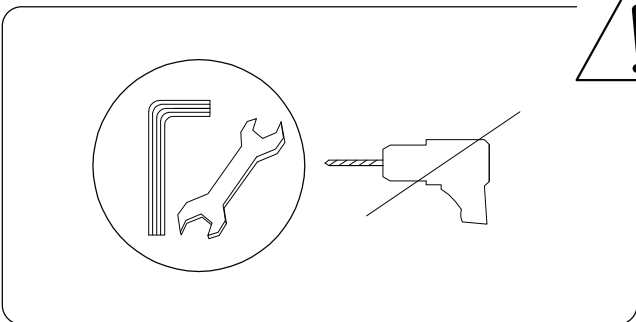
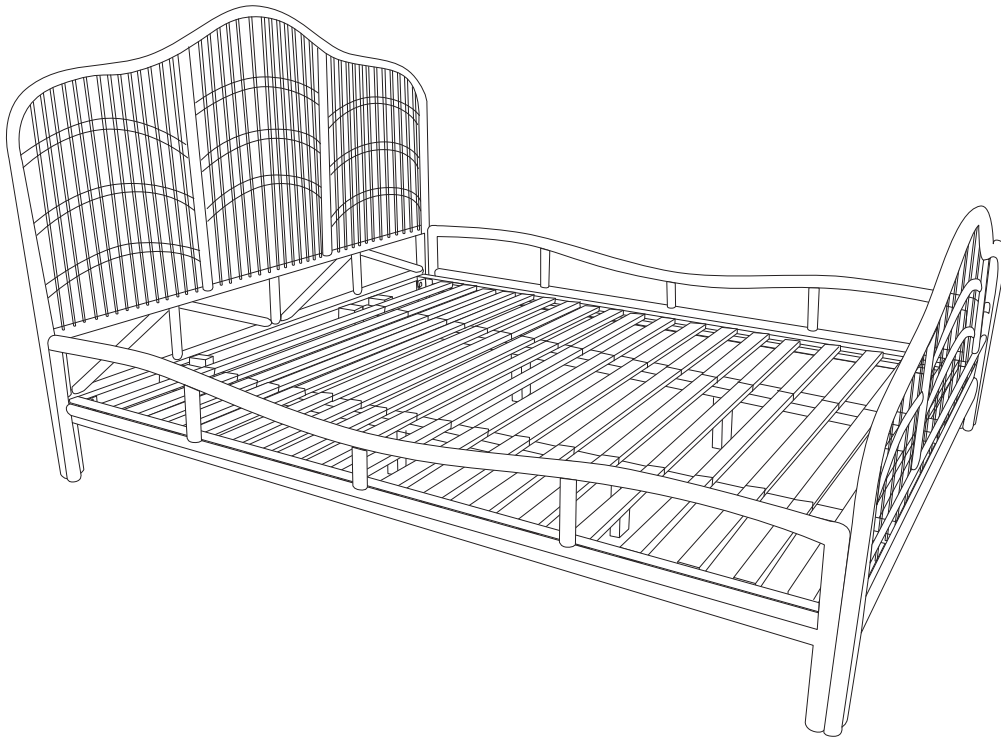
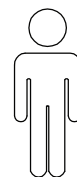
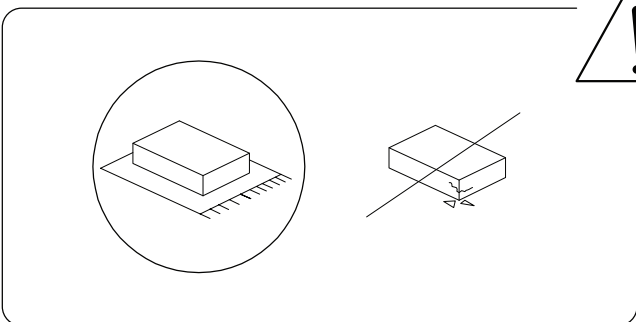


DOMEYROT

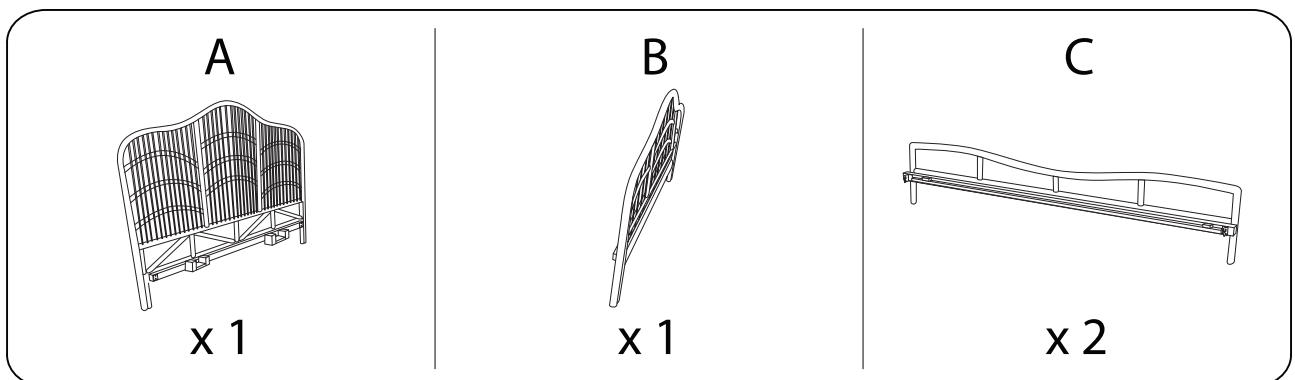
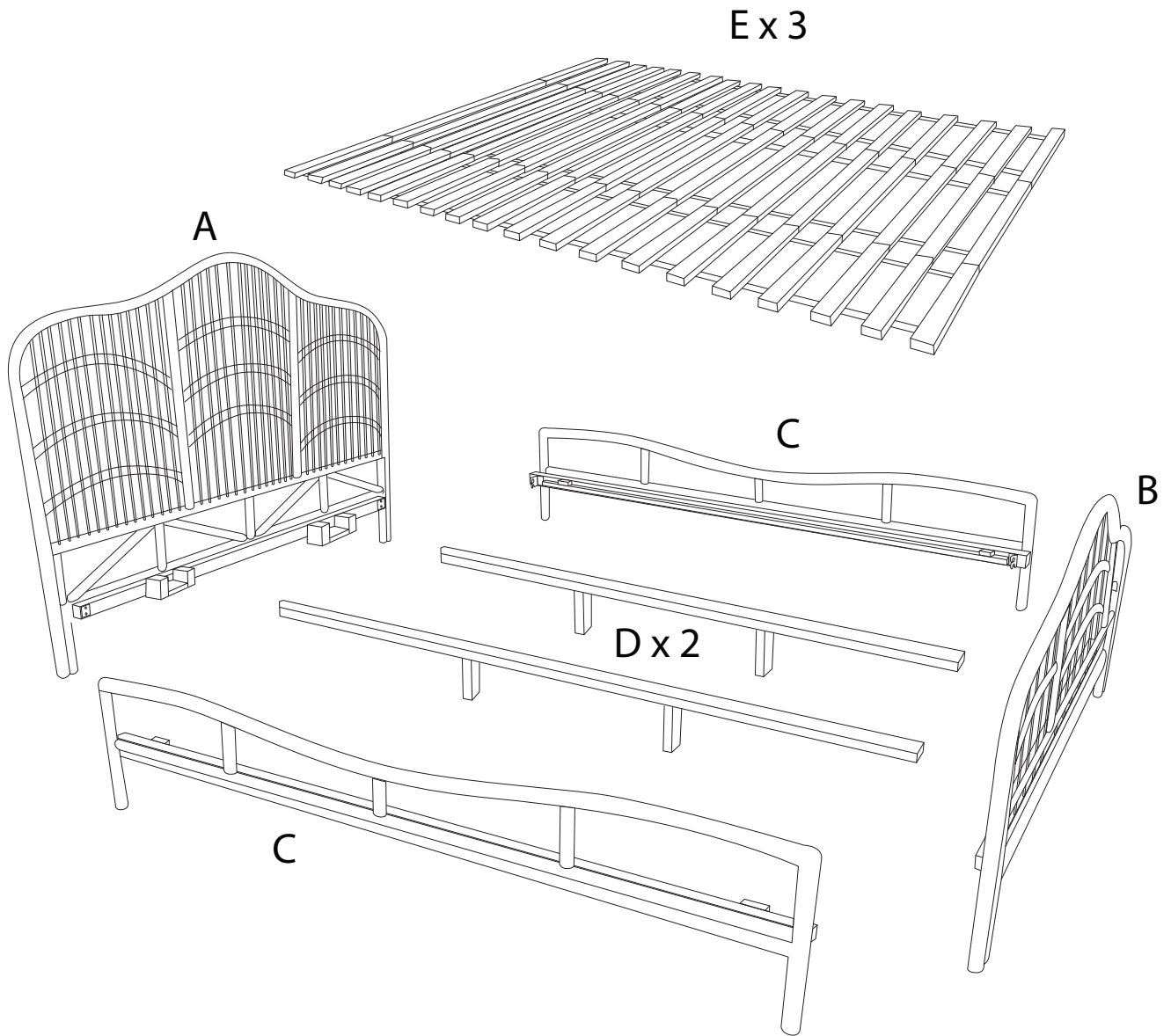




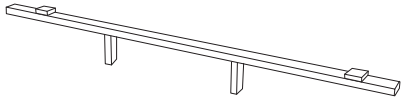
60'



2

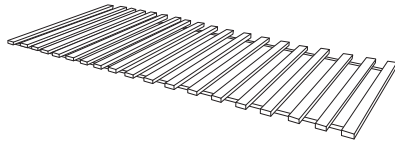


D



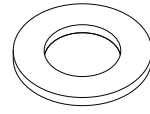
x 2

E



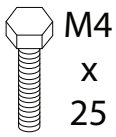
x 3

F



x 8

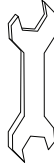
G



M4
x
25

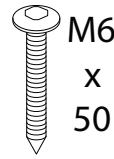
x 8

H



x 1

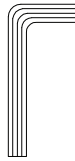
I



M6
x
50

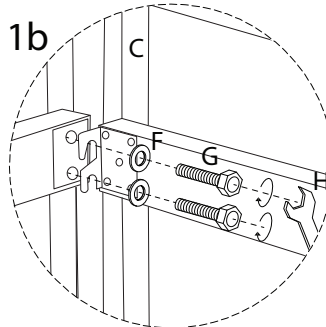
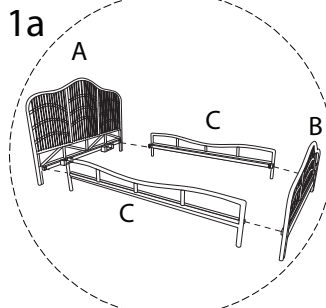
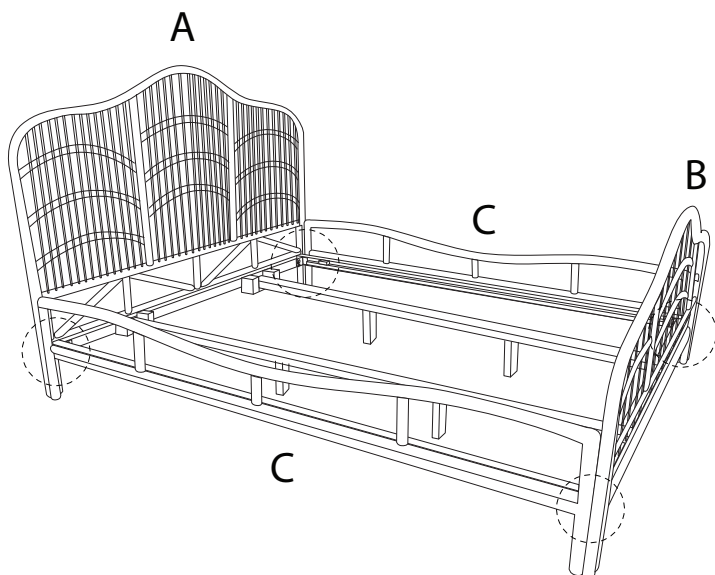
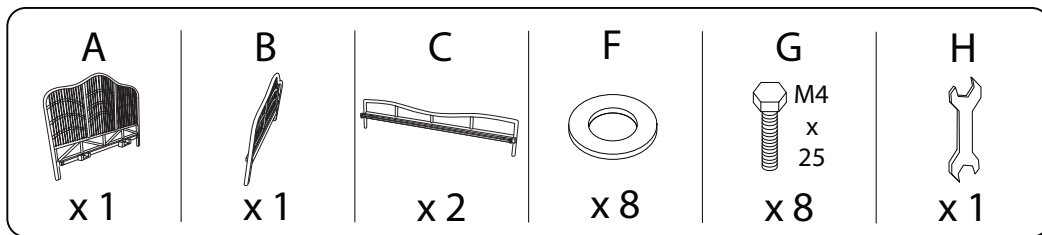
x 4

J

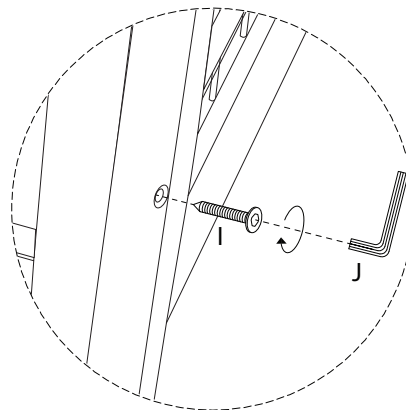
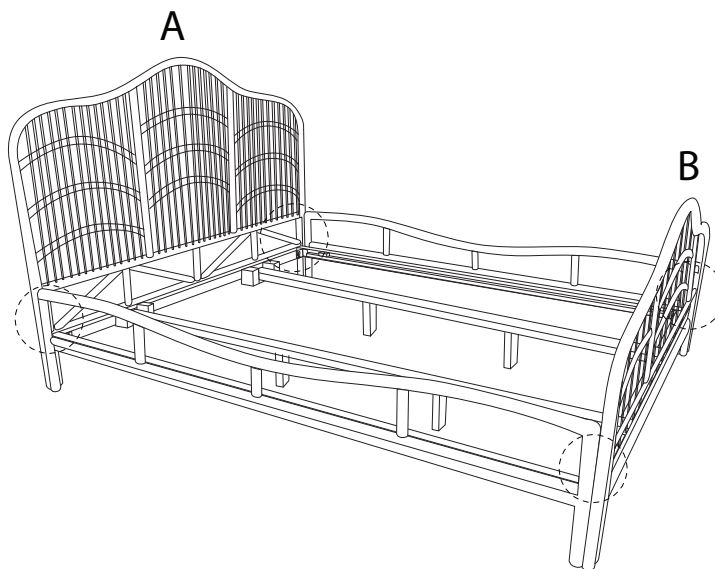
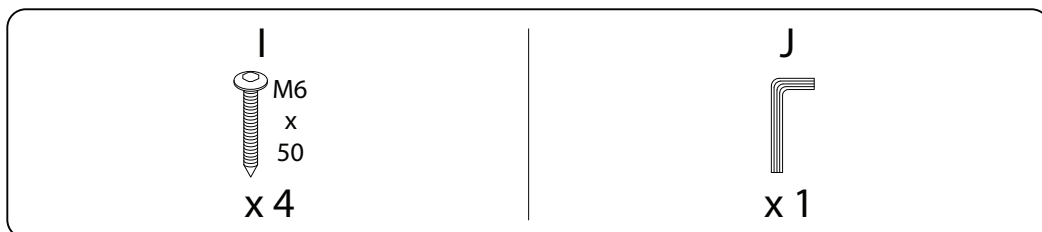


x 1

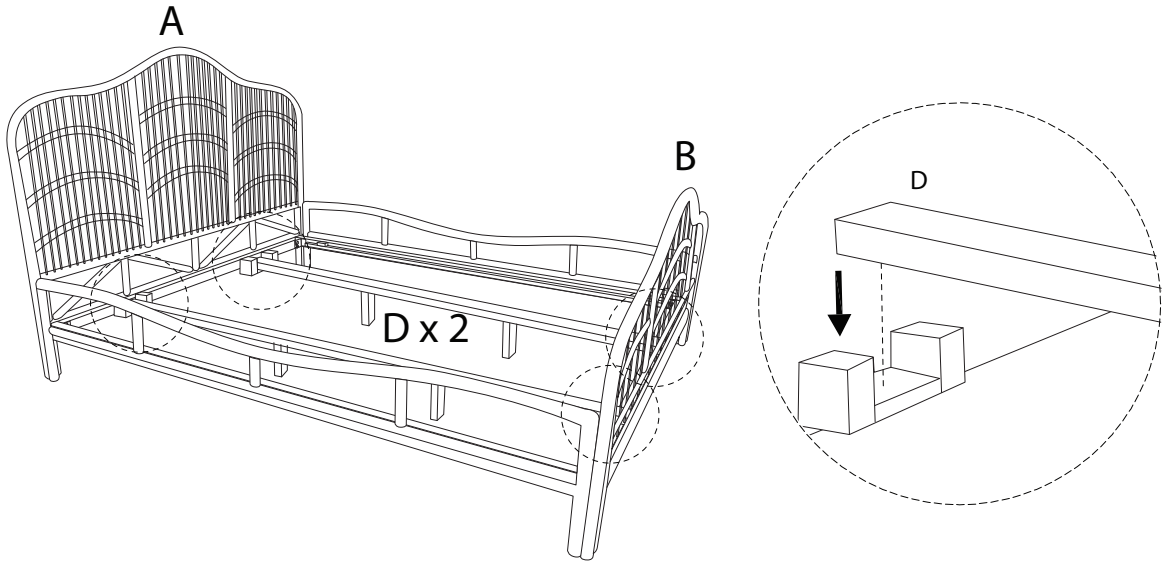
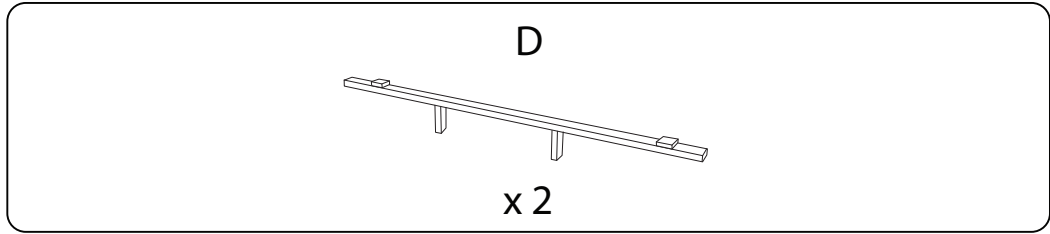
1



2



3



4

