

# HURSI

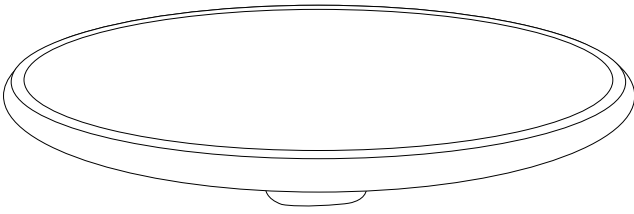




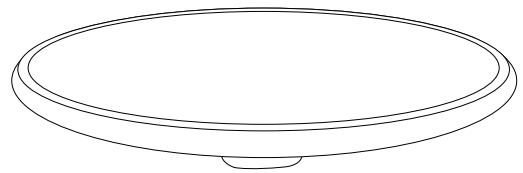

10'

1

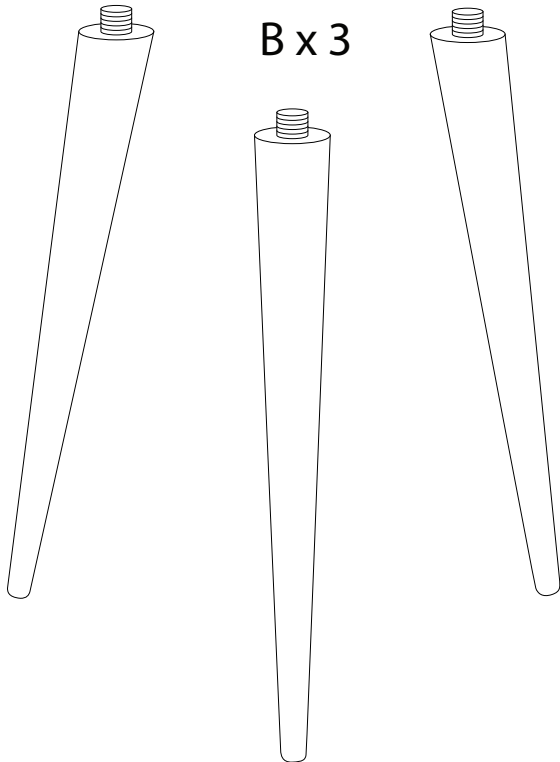
A



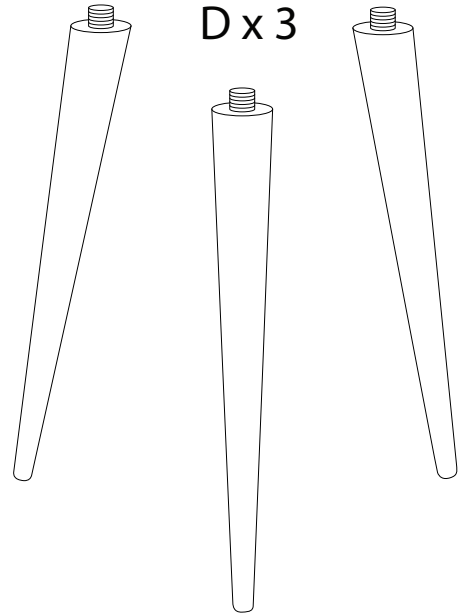
C



B x 3

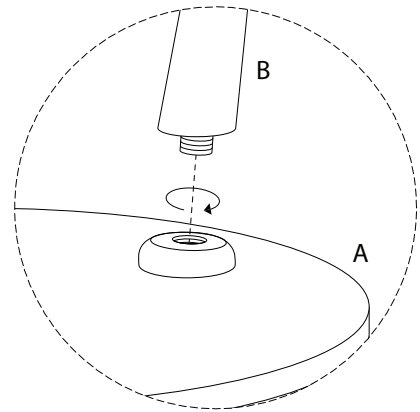
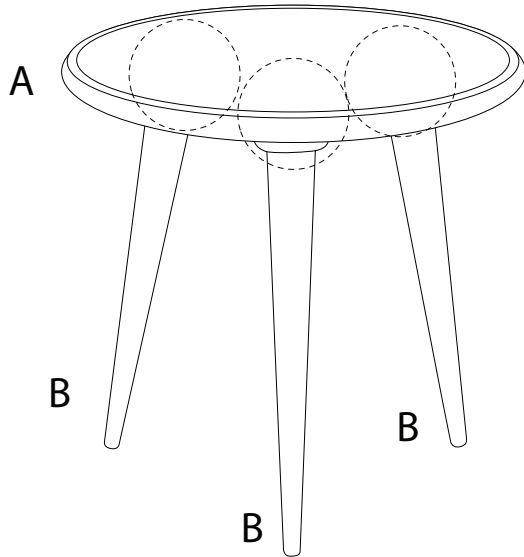
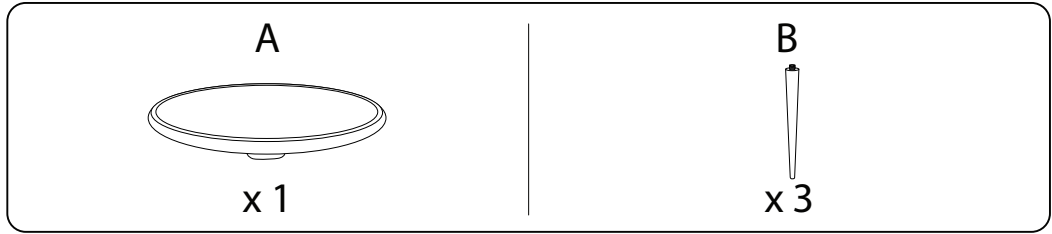


D x 3



A	B	C	D
x 1	x 3	x 1	x 3

1



2

