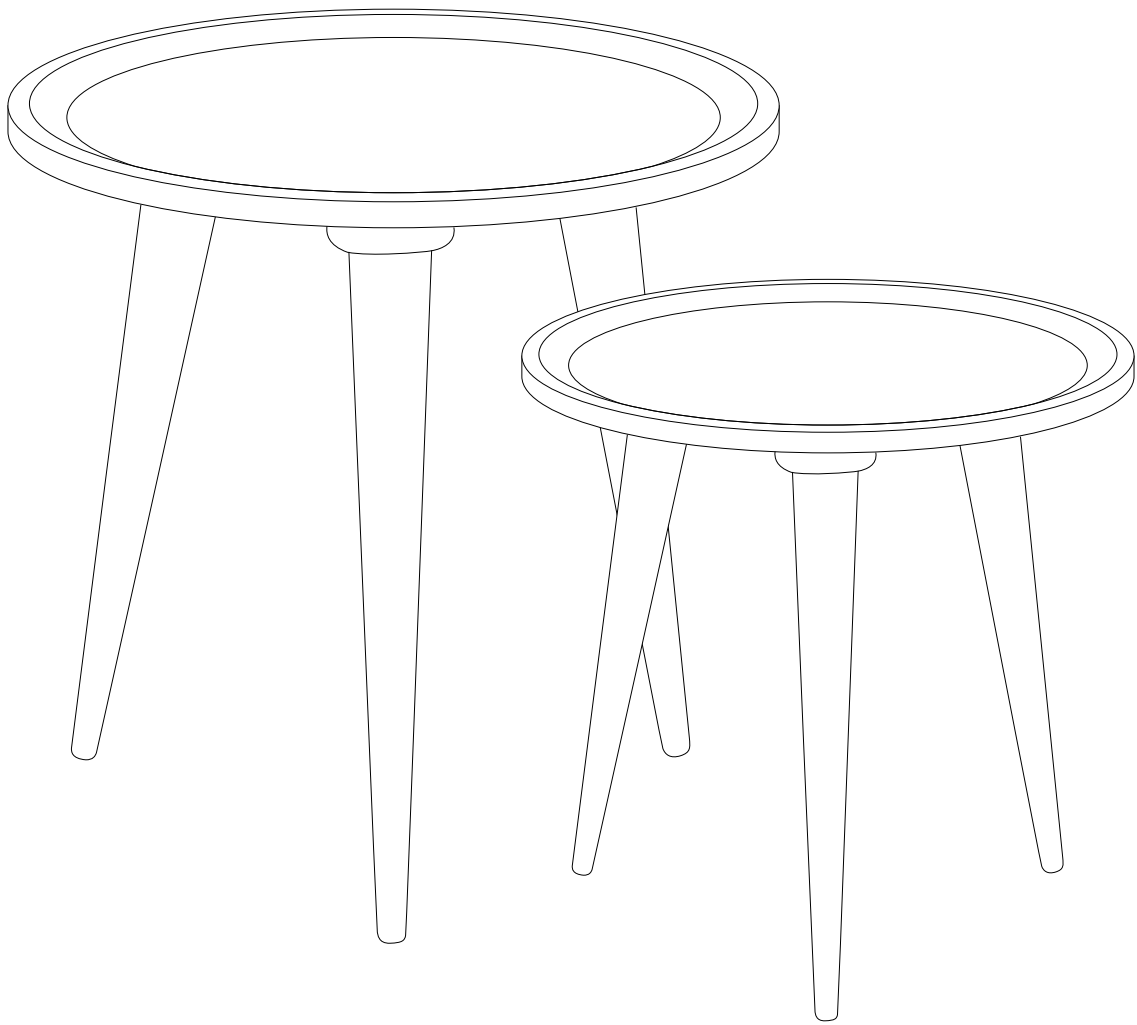
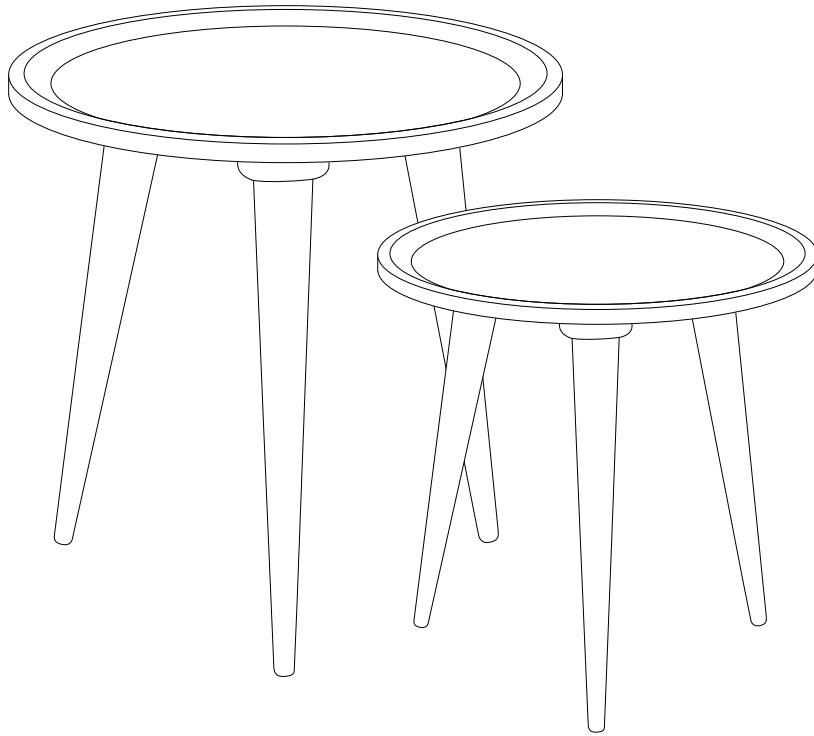


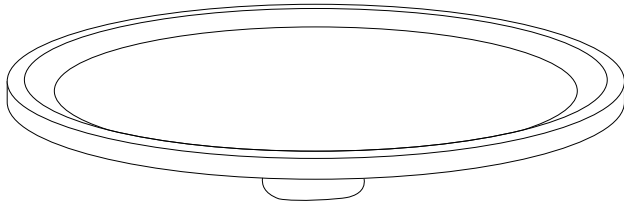
SAKITA



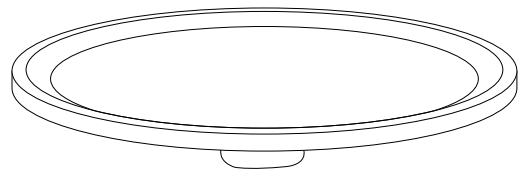


		10'
		1

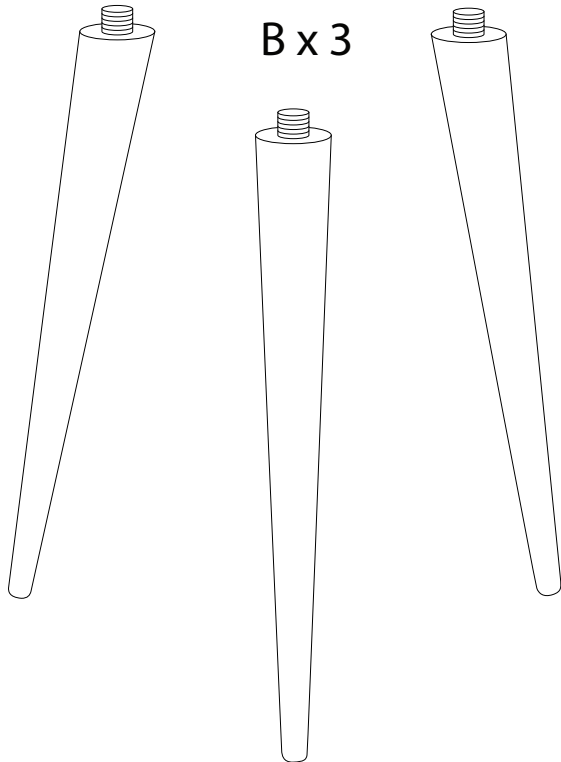
A



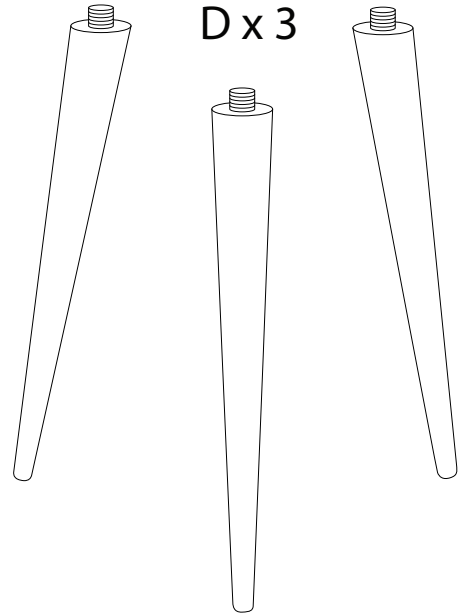
C

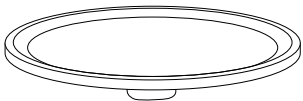

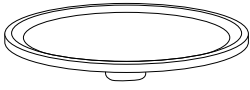



B x 3

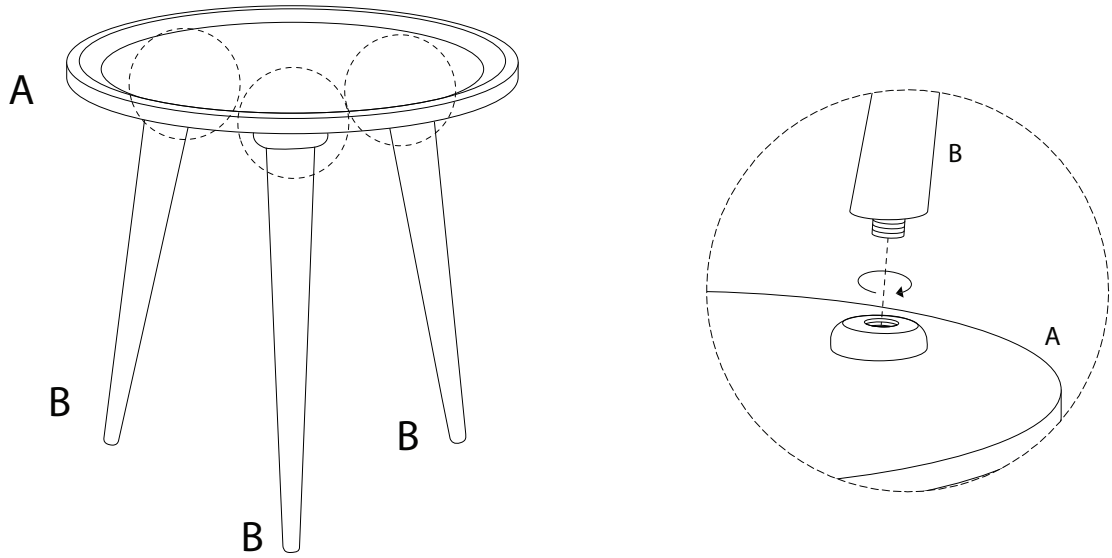
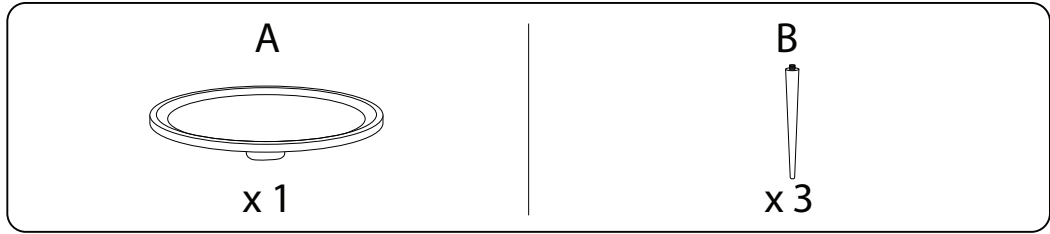


D x 3



A	B	C	D
			
x 1	x 3	x 1	x 3

1



2

