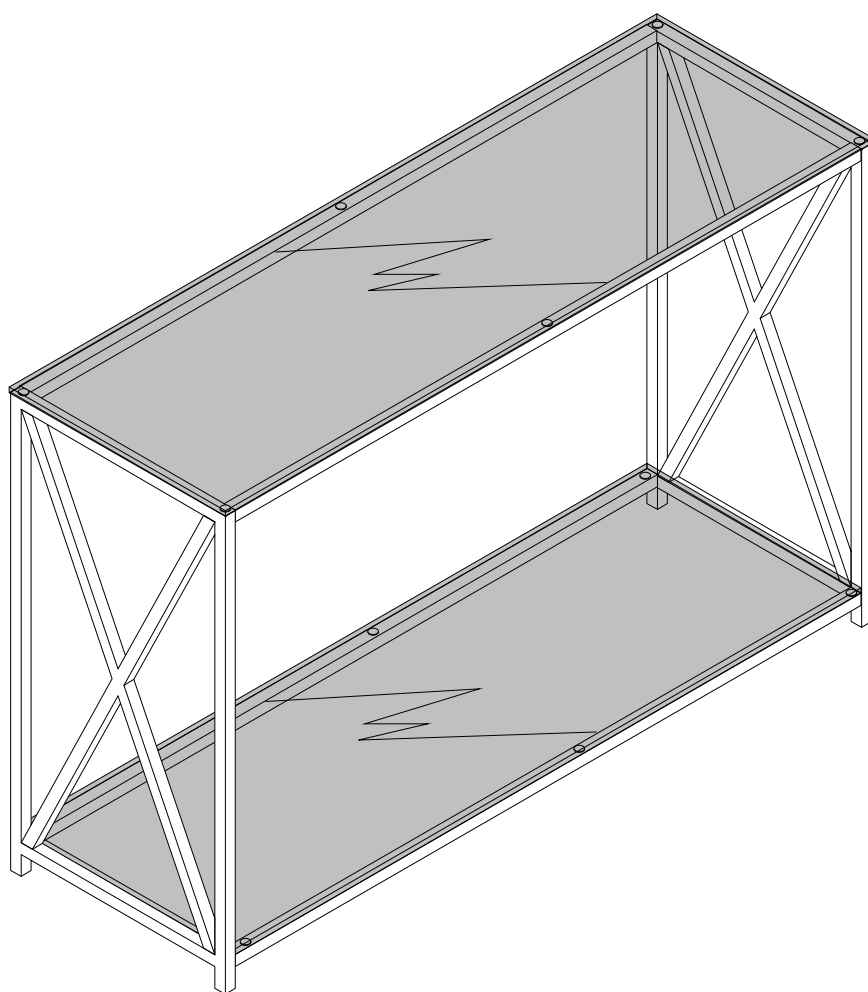
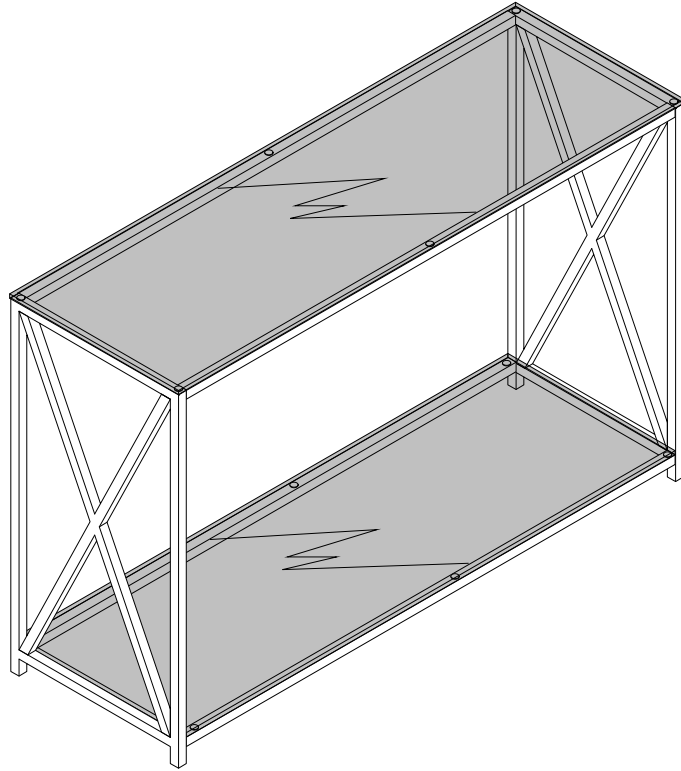


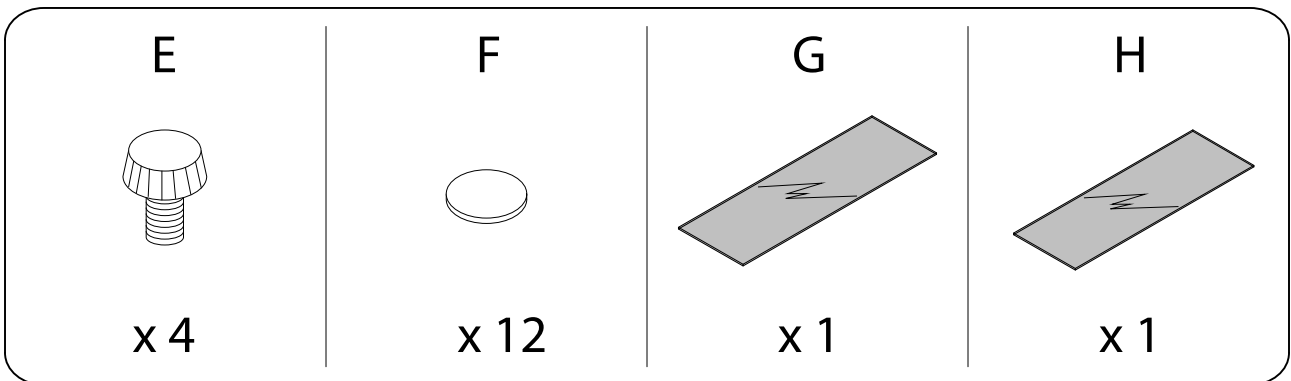
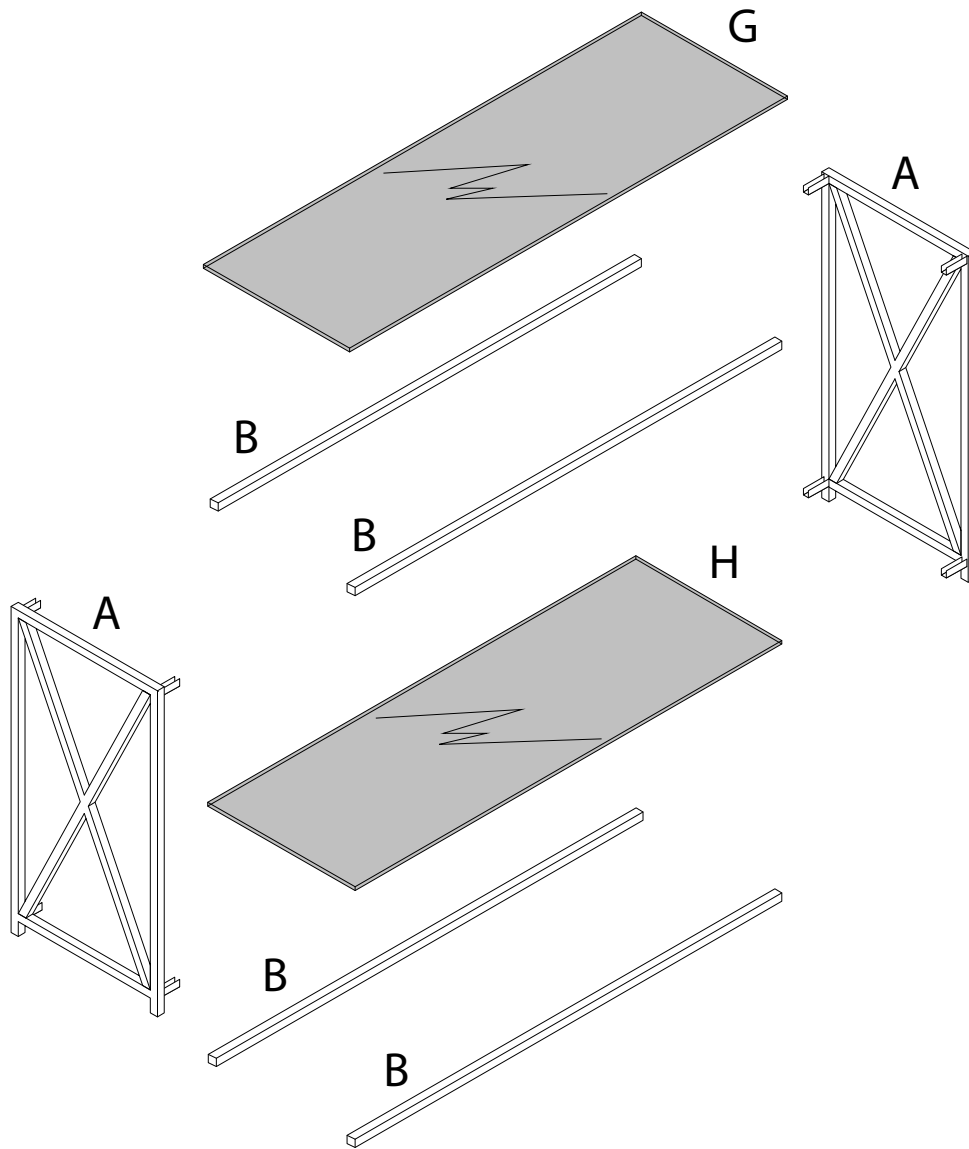
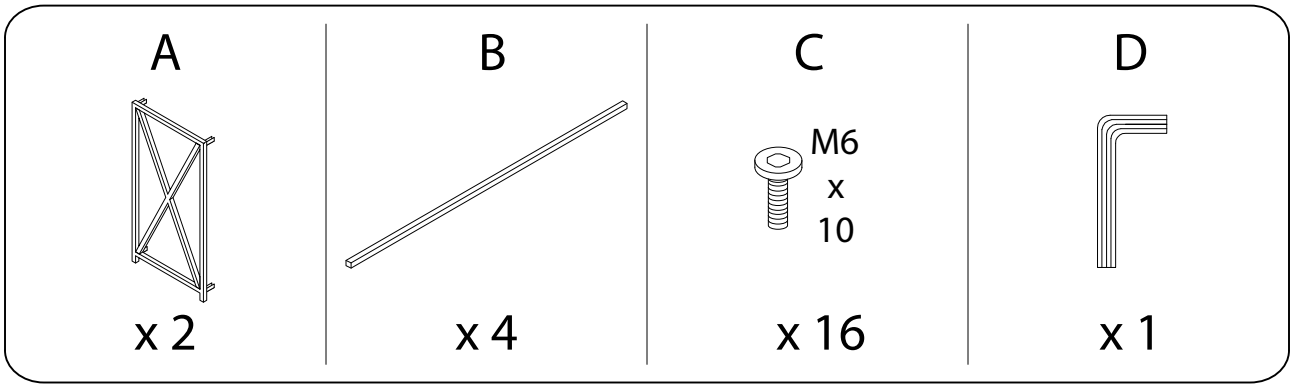
# AUDET





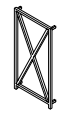
Assembly instructions for step 1/5:

- Warning:** Do not use a power drill. Use an Allen key (shown in a circle) to tighten the screws.
- Warning:** Do not place the unit on an uneven surface. Place it on a flat, level surface (shown in a circle).
- Time:** 20 minutes (indicated by a clock icon).
- Personnel:** 2 people (indicated by a person icon).



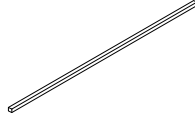
1

A



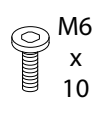
x 2

B



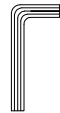
x 4

C

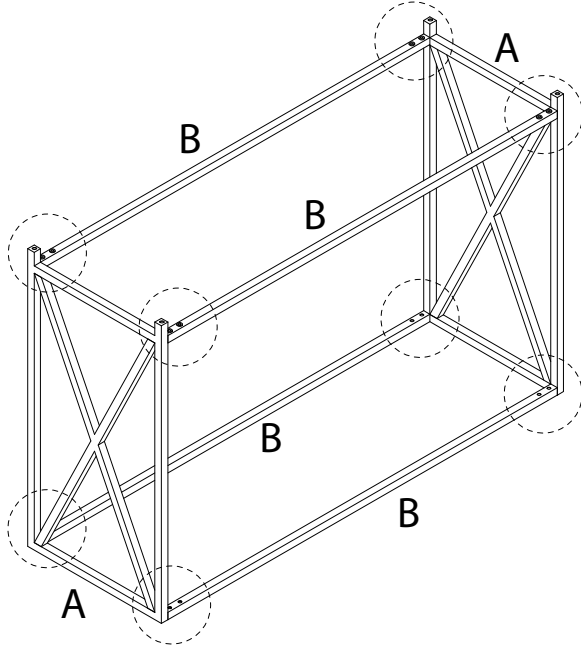


x 16

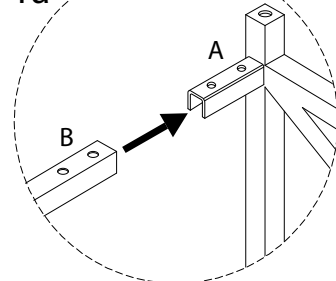
D



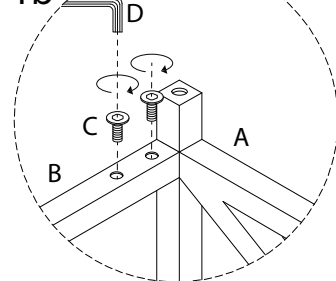
x 1



1a



1b

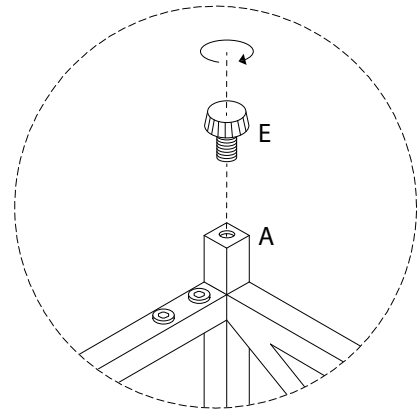
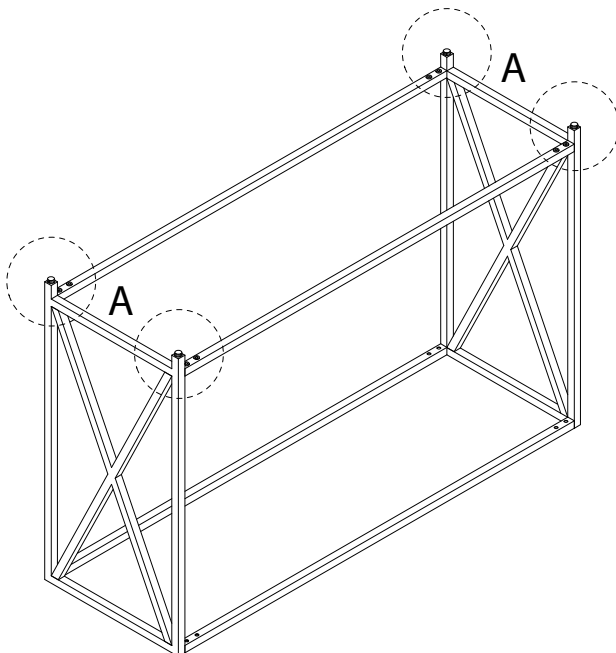


2

E



x 4

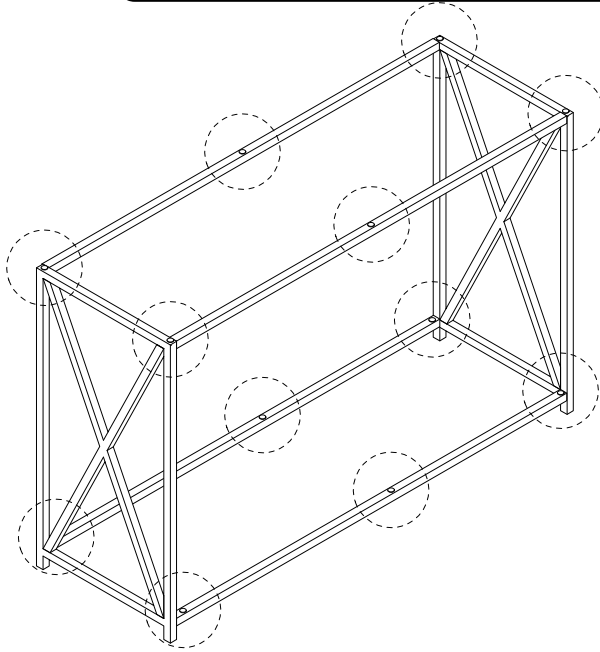


3

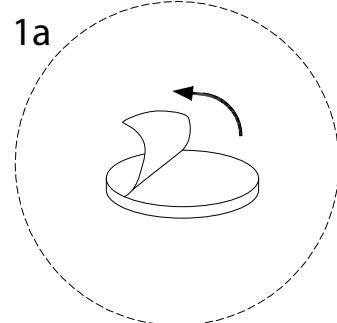
F



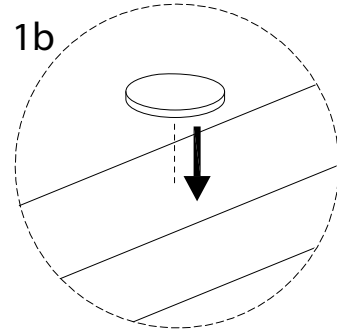
x 12



1a

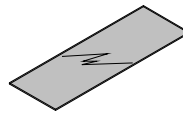


1b

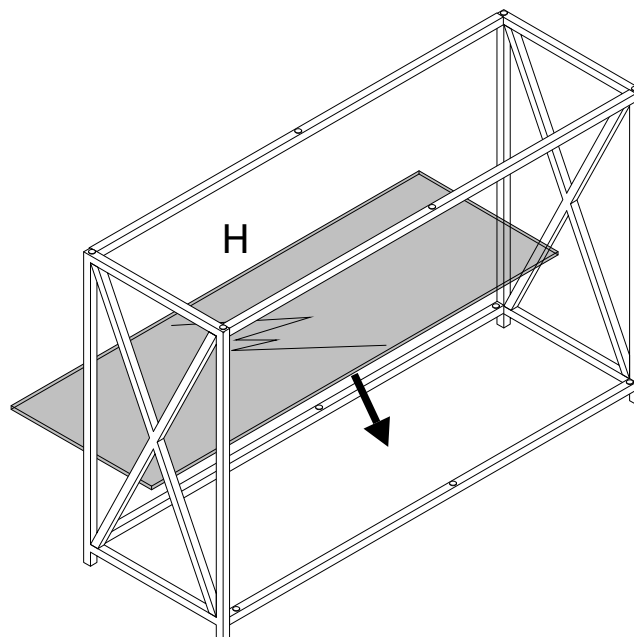


4

H



x 1



5

